



US00D985171S

(12) **United States Design Patent**
Zheng

(10) **Patent No.:** **US D985,171 S**
(45) **Date of Patent:** **** May 2, 2023**

(54) **DOWN LIGHT**

(71) Applicant: **Hongbing Zheng**, Hangzhou (CN)

(72) Inventor: **Hongbing Zheng**, Hangzhou (CN)

(**) Term: **15 Years**

(21) Appl. No.: **29/821,462**

(22) Filed: **Dec. 30, 2021**

(30) **Foreign Application Priority Data**

Nov. 30, 2021 (CN) 202130791032.9

(51) **LOC (14) Cl.** **26-05**

(52) **U.S. Cl.**
USPC **D26/74**

(58) **Field of Classification Search**
USPC D26/1, 72, 74-79, 85, 88, 89, 116, 138,
D26/141
CPC F21V 5/00; F21V 6/00; F21V 7/05; F21V
7/06; F21V 9/00; F21V 21/044; F21V
21/047; F21V 21/049; F21S 8/02; F21S
8/026; F21Y 2115/10
See application file for complete search history.

(56) **References Cited**

U.S. PATENT DOCUMENTS

D663,880 S * 7/2012 Janssen F21S 8/026
D26/74
D681,867 S * 5/2013 Wegger D26/124
D828,944 S * 9/2018 Xie D26/74
D871,645 S * 12/2019 Zhao D26/74
2019/0368671 A1 * 12/2019 Pace F21S 8/026

FOREIGN PATENT DOCUMENTS

EM 003763747-0001 * 4/2017

OTHER PUBLICATIONS

Amazon-Esbaybulbs; "7 Inch Ultra-Thin LED Recessed Ceiling Light . . ."; [online] 'https://www.amazon.com/Ultra-Thin-Recessed-Downlight-Brightness-Installation/dp/B097DT1CX7'; dated Sep. 15, 2021; accessed Dec. 15, 2022; 4pgs. (Year: 2021).*

* cited by examiner

Primary Examiner — Keli L Hill

(74) *Attorney, Agent, or Firm* — Bayramoglu Law Offices LLC

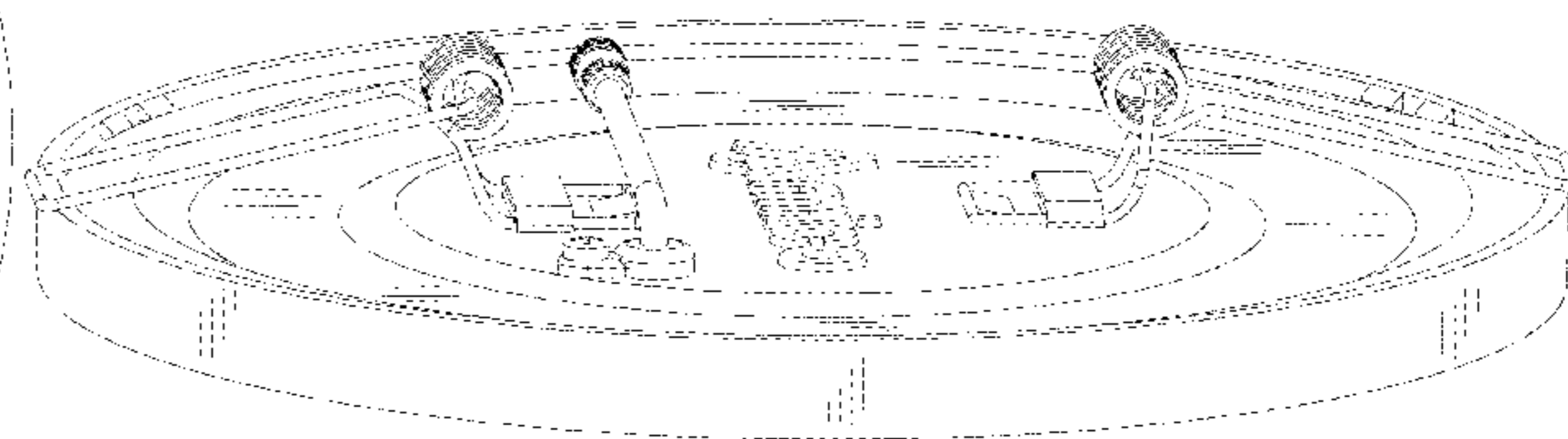
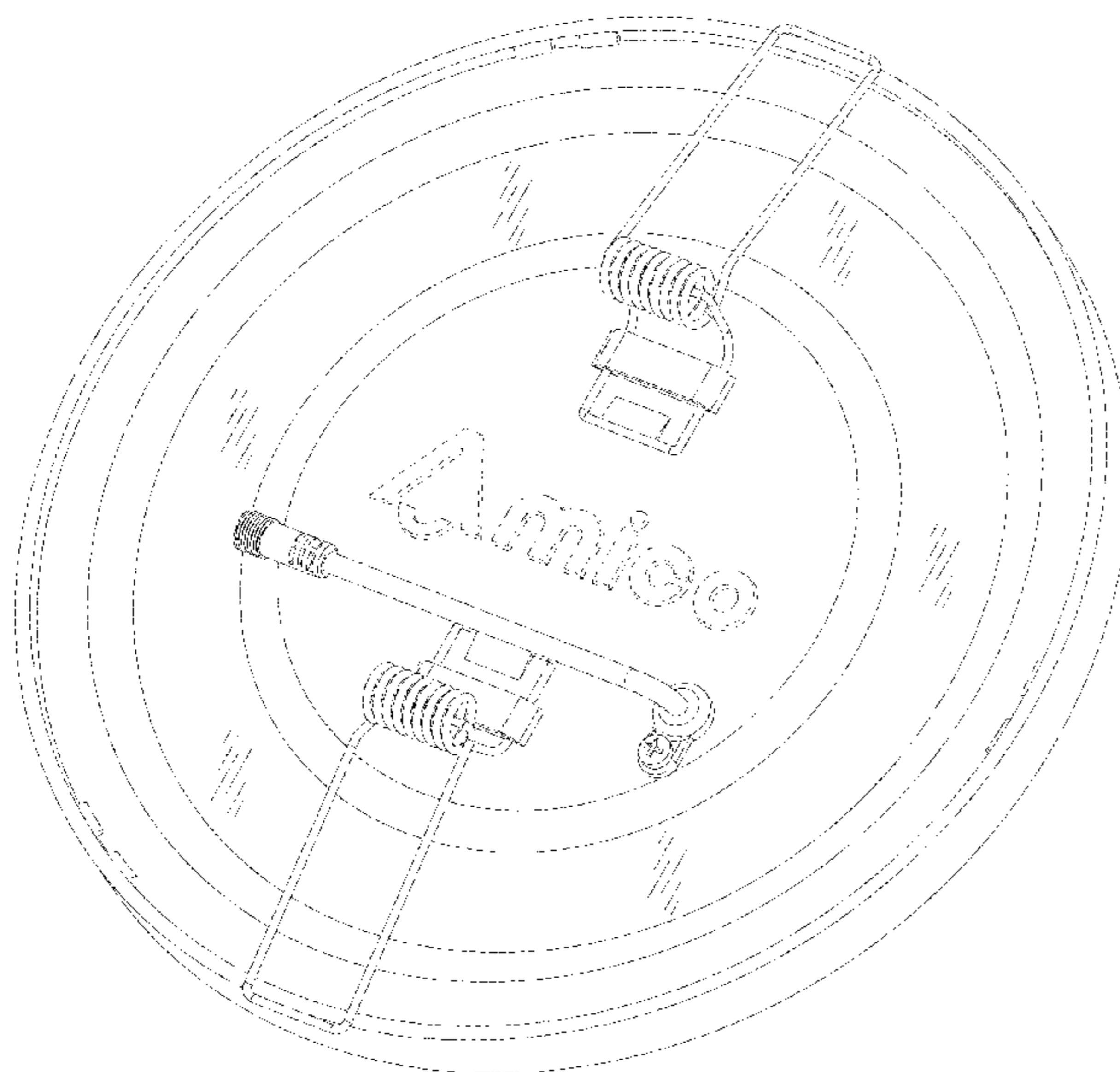
(57) **CLAIM**

The ornamental design for a down light, as shown and described.

DESCRIPTION

FIG. 1 is a perspective view of a down light showing my new design;
FIG. 2 is another perspective view thereof;
FIG. 3 is a front view thereof;
FIG. 4 is a rear view thereof;
FIG. 5 is a left side view thereof;
FIG. 6 is a right side view thereof;
FIG. 7 is a top view thereof; and,
FIG. 8 is a bottom view thereof.
The broken lines depict portions of the down light form no part of the claimed design.

1 Claim, 8 Drawing Sheets



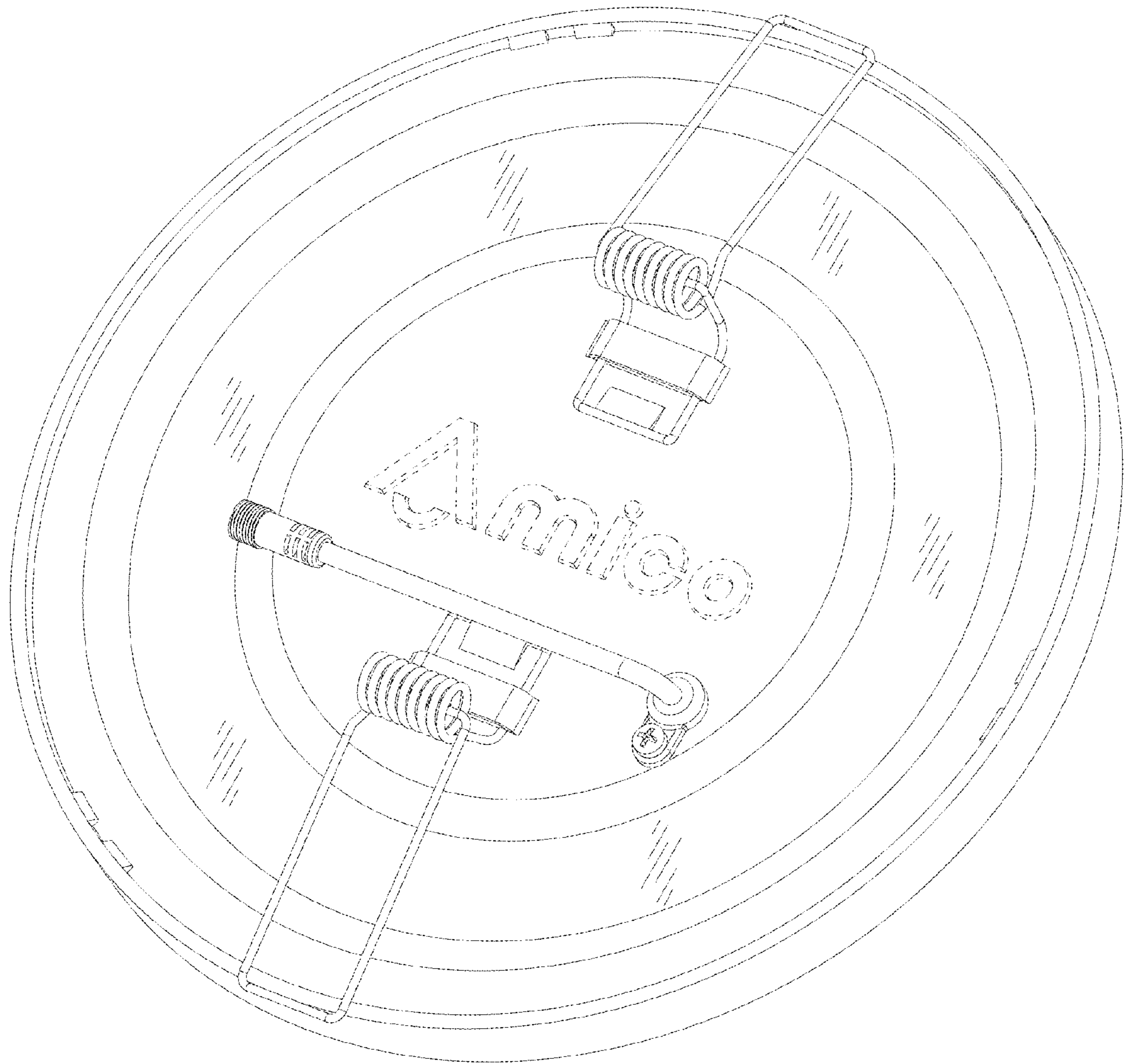


FIG. 1

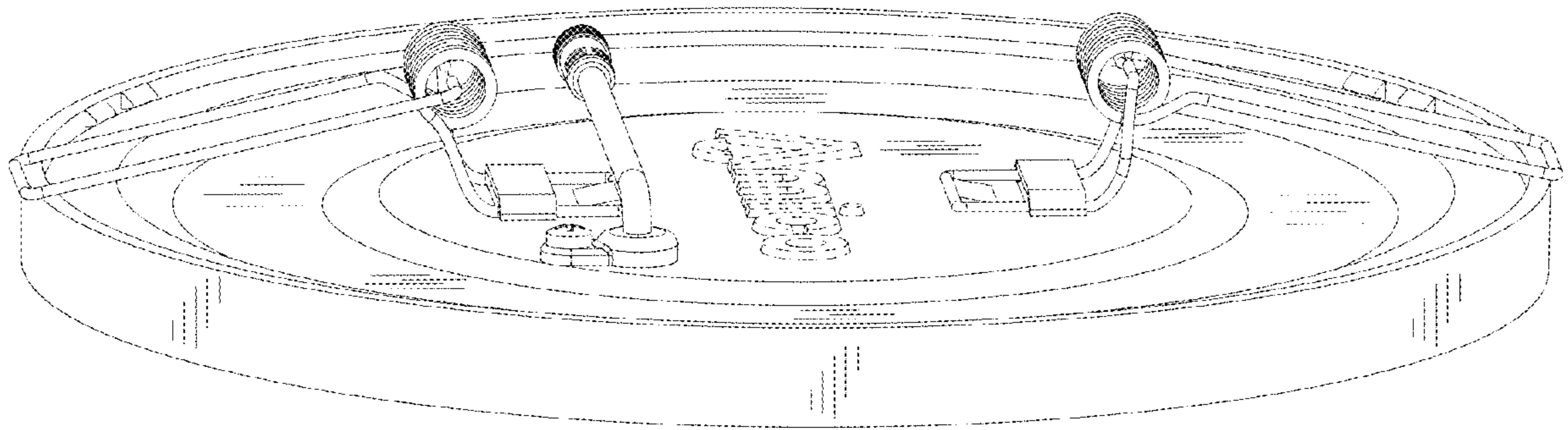


FIG. 2

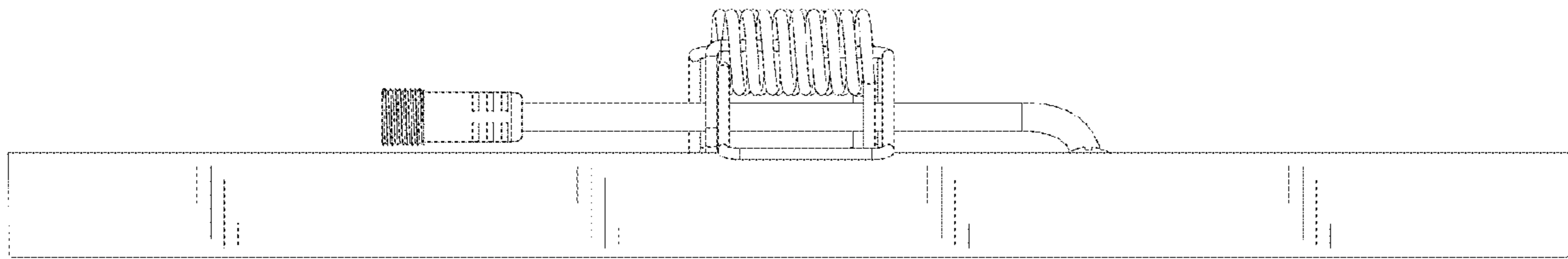


FIG. 3

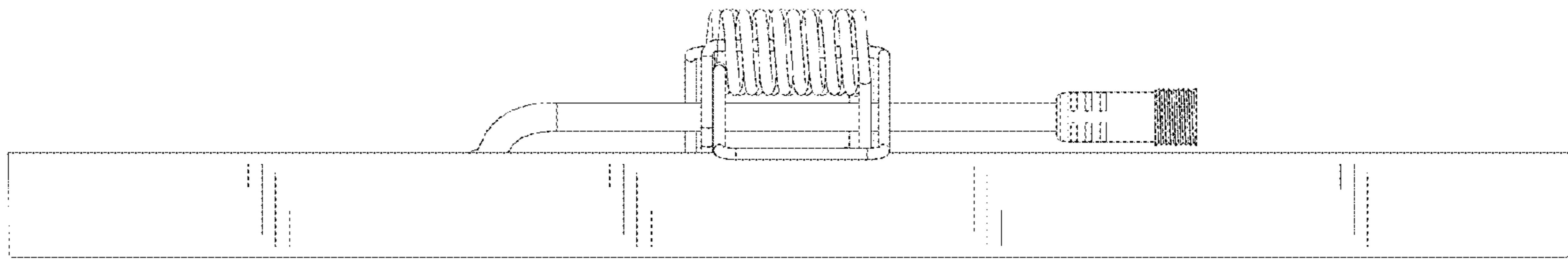


FIG. 4

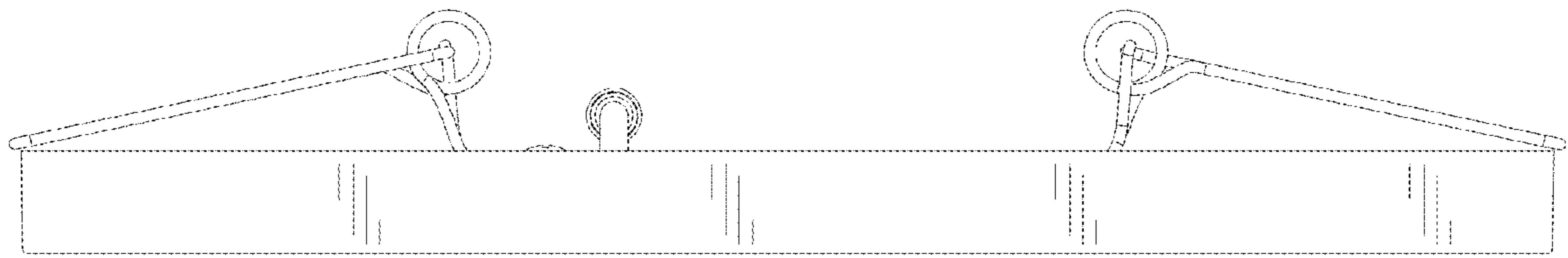


FIG. 5

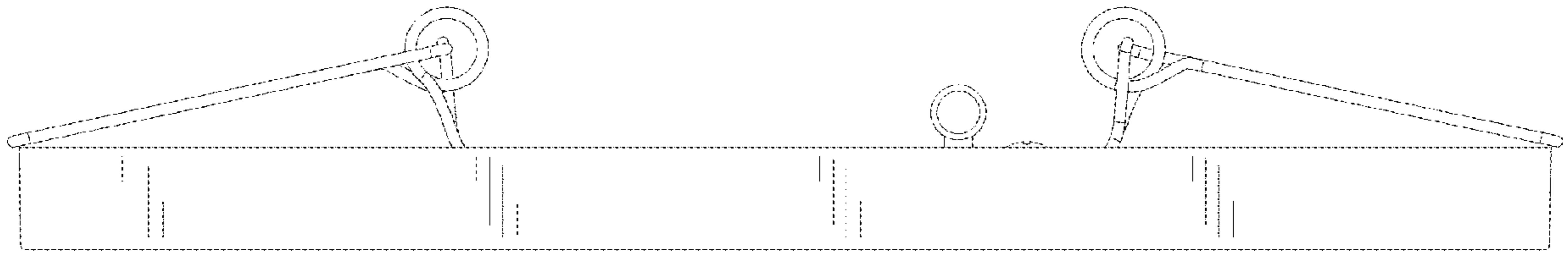


FIG. 6

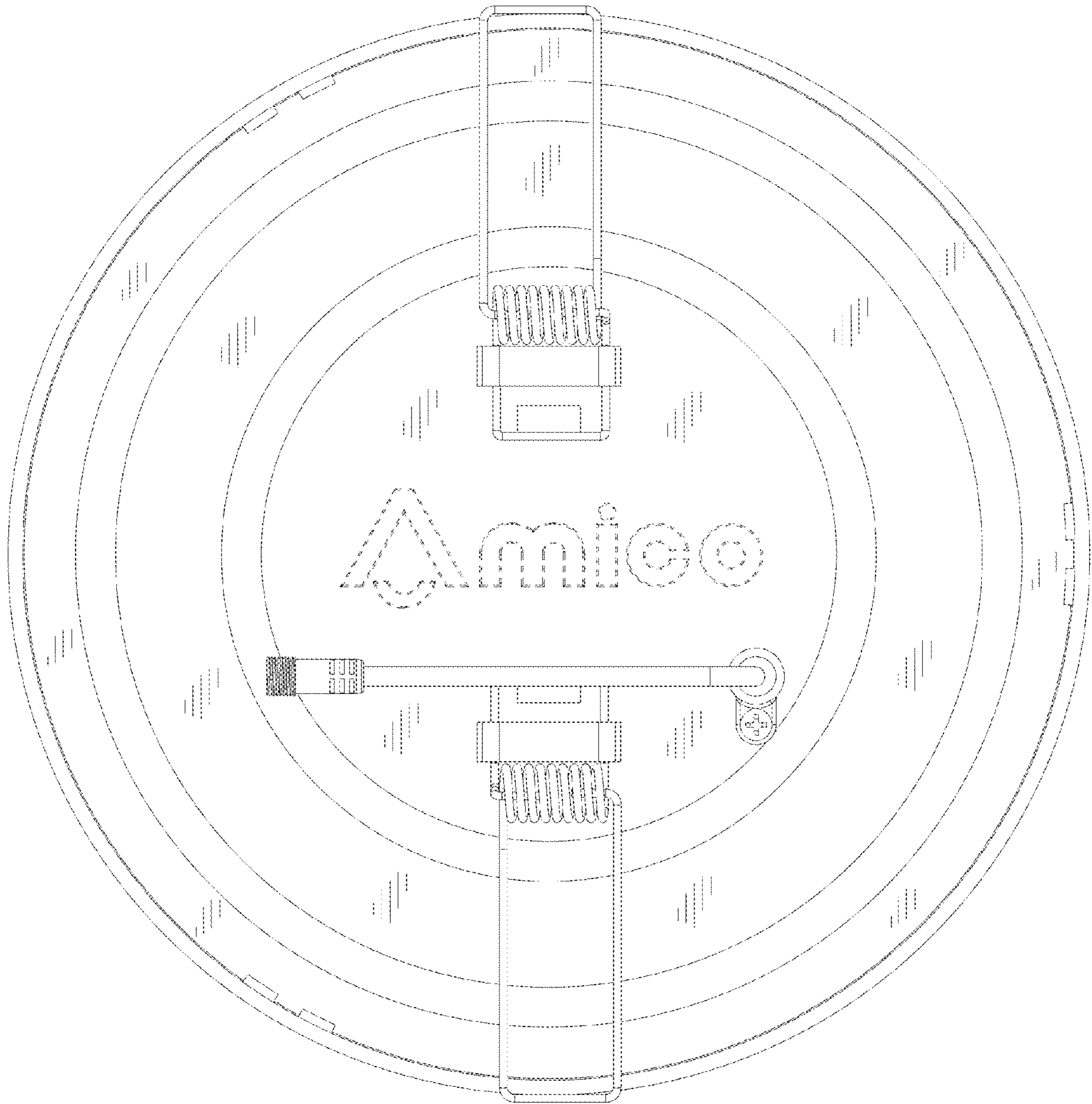


FIG. 7

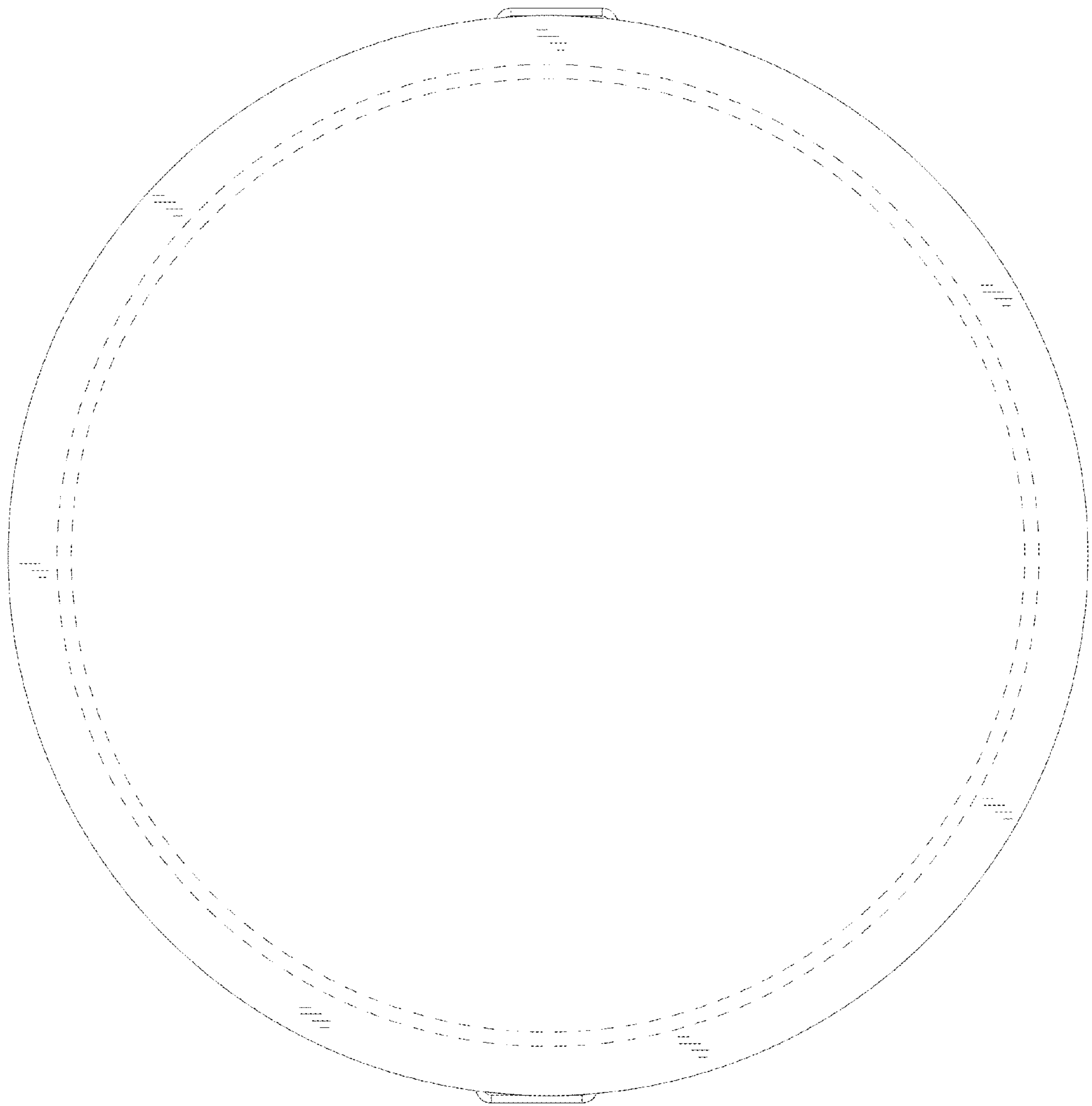


FIG. 8