



US00D985170S

(12) **United States Design Patent** (10) **Patent No.:** **US D985,170 S**
Chen (45) **Date of Patent:** **** May 2, 2023**

(54) **CEILING LAMP**
(71) Applicant: **Limei Chen**, Zhejiang (CN)
(72) Inventor: **Limei Chen**, Zhejiang (CN)
(**) Term: **15 Years**

D823,512 S * 7/2018 Vajen Habig D26/59
D849,983 S * 5/2019 Neal D26/72
D877,400 S * 3/2020 Olbers D26/118
D898,395 S * 10/2020 Aisslinger D6/369
D919,164 S * 5/2021 Wang D26/110
D925,809 S 7/2021 Hsu
D931,516 S * 9/2021 Wilkinson D26/110
D935,085 S * 11/2021 Richardson D26/85

(Continued)

(21) Appl. No.: **29/823,549**

(22) Filed: **Jan. 18, 2022**

(51) **LOC (14) Cl.** **26-05**

(52) **U.S. Cl.**
USPC **D26/89**

(58) **Field of Classification Search**
USPC D26/72, 80-90, 92, 118, 128
CPC F21S 8/04; F21S 8/043; F21S 8/046; F21S

8/06; F21S 8/061; F21S 8/063; F21S
8/065; F21S 8/066; F21S 8/068

See application file for complete search history.

(56) **References Cited**

U.S. PATENT DOCUMENTS

D200,533 S * 3/1965 Hopkins D6/369
D274,475 S * 6/1984 Caldwell D26/110
D392,764 S * 3/1998 Balish, Jr. D26/105
D559,428 S * 1/2008 Kravitz D26/88
D565,238 S * 3/2008 Lee D26/128
D586,496 S * 2/2009 Flindt D26/118
D593,705 S * 6/2009 Bilotti D26/118
D604,452 S * 11/2009 Smith D26/118
D620,174 S * 7/2010 Sabernig D26/86
D631,596 S * 1/2011 Sadler D26/110
D663,489 S * 7/2012 Van Dyk D30/127
D675,371 S * 1/2013 Nowak D26/128
D700,734 S * 3/2014 Chan D26/88
D755,432 S * 5/2016 Orozco D26/82
D783,878 S * 4/2017 Lava D26/88
9,631,800 B2 * 4/2017 Coughlin F21S 9/03
D792,001 S * 7/2017 Park D26/88
D798,495 S * 9/2017 Slaatto D26/138
D809,185 S * 1/2018 Paz D26/90
D814,690 S * 4/2018 Navone D26/129

OTHER PUBLICATIONS

Nomita, Rustic Woven Flush Mount Light. First available Aug. 30, 2021. Searched on Jul. 25, 2022. [https://www.amazon.com/Nomita-Fixture-Industrial-Entryway-Farmhouse/dp/B098XHVJR1/] (Year: 2021).*

(Continued)

Primary Examiner — W. A. Teddy Falloway
Assistant Examiner — Melissa Adriane Santos
(74) *Attorney, Agent, or Firm* — Che-Yang Chen; Law Office of Michael Chen

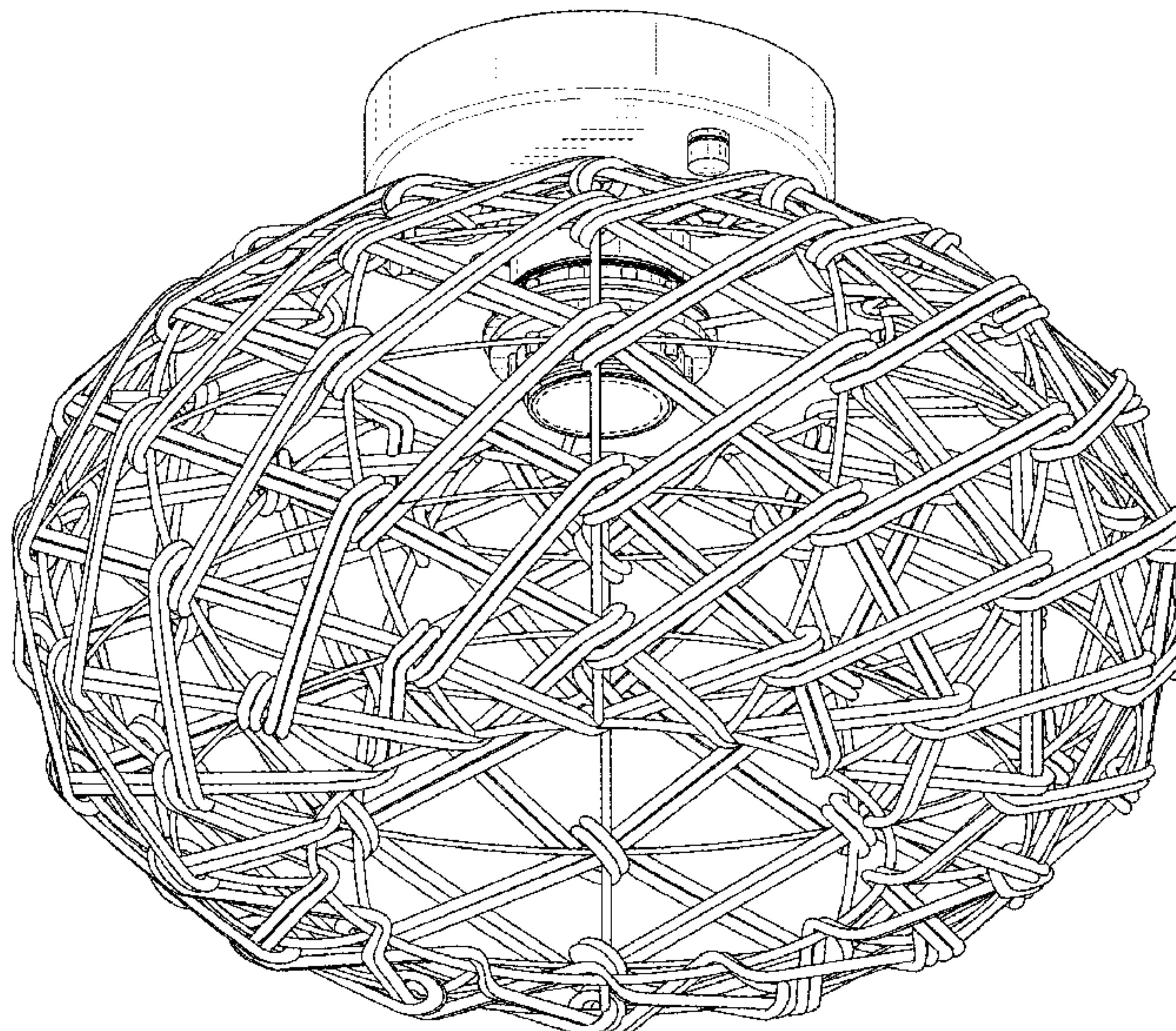
(57) **CLAIM**

The ornamental design for a ceiling lamp, as shown and described.

DESCRIPTION

FIG. 1 is a perspective view of the ceiling lamp showing my new design;
FIG. 2 is a perspective view thereof from another angle;
FIG. 3 is a front elevational view thereof;
FIG. 4 is a rear elevational view thereof;
FIG. 5 is a left side elevational view thereof;
FIG. 6 is a right side elevational view thereof;
FIG. 7 is a top plan view thereof; and,
FIG. 8 is a bottom plan view thereof.
The broken lines in the drawings illustrate portions of the ceiling lamp that form no part of the claimed design.

1 Claim, 8 Drawing Sheets



(56)

References Cited

U.S. PATENT DOCUMENTS

D940,377 S * 1/2022 Lin D26/83
D952,233 S * 5/2022 Lenke D26/88
D956,327 S * 6/2022 Zhu D26/110
D958,439 S * 7/2022 Huang D26/88

OTHER PUBLICATIONS

Novogratz x Globe Electric, Diego Pendant Light. First available Dec. 9, 2021. Searched on Jul. 25, 2022. [<https://www.amazon.com/dp/B09NCHLSYZ/>] (Year: 2021).*

Litfad. Bamboo Cage Ceiling Light. First available Apr. 29, 2020. Searched on Jul. 25, 2022. [<https://www.amazon.com/LITFAD-Ceiling-Pandent-Bedroom-Restaurant/dp/B087THSM7Q/>] (Year: 2020).*

Sydtop, Rustic Hemp Rope Woven Pendant. First available Sep. 21, 2019. Searched on Jul. 25, 2022. [<https://www.amazon.com/SYDTOP-Industrial-Pendant-Lighting-Farmhouse/dp/B08F3KMWM7/>] (Year: 2019).*

* cited by examiner

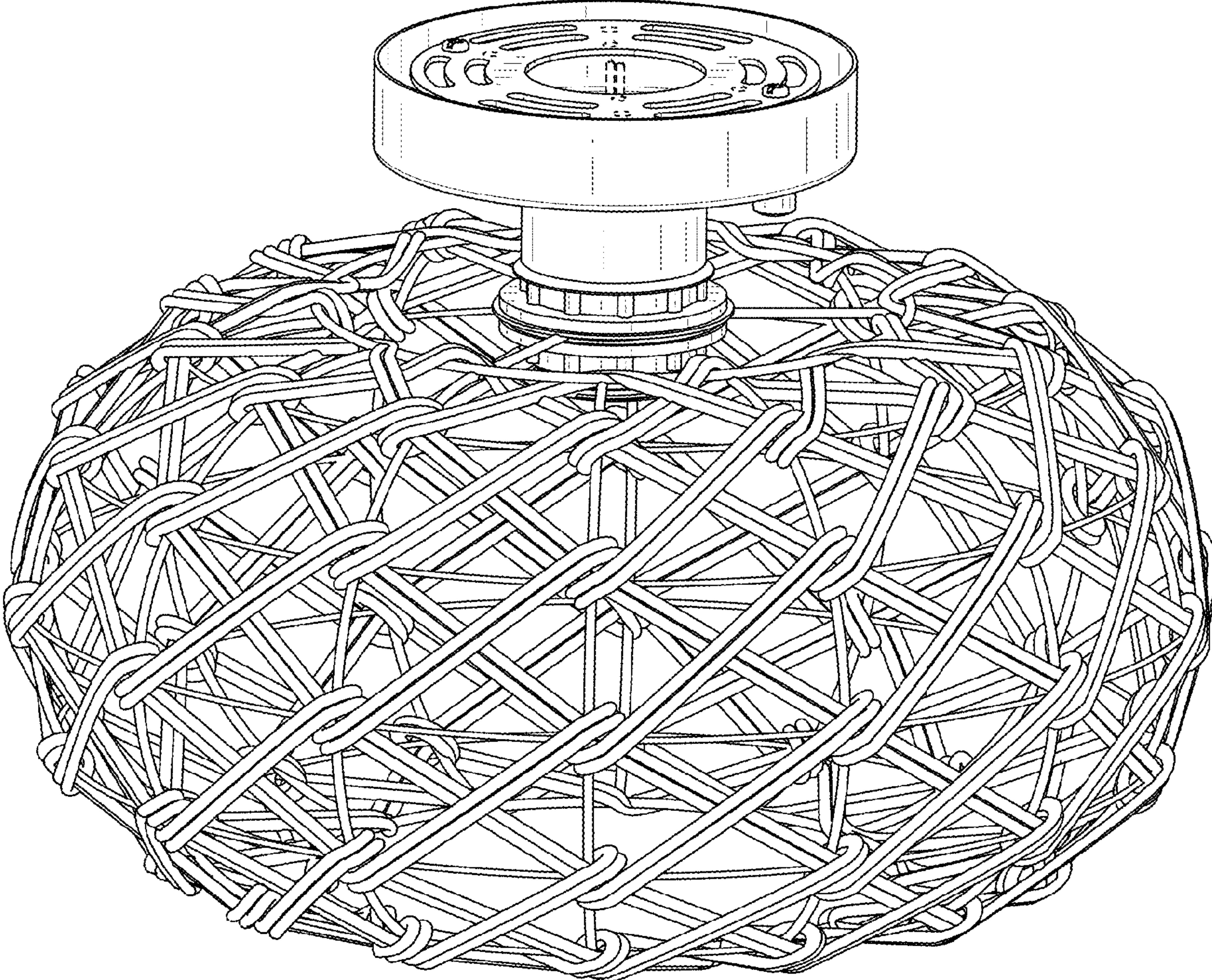


FIG. 1

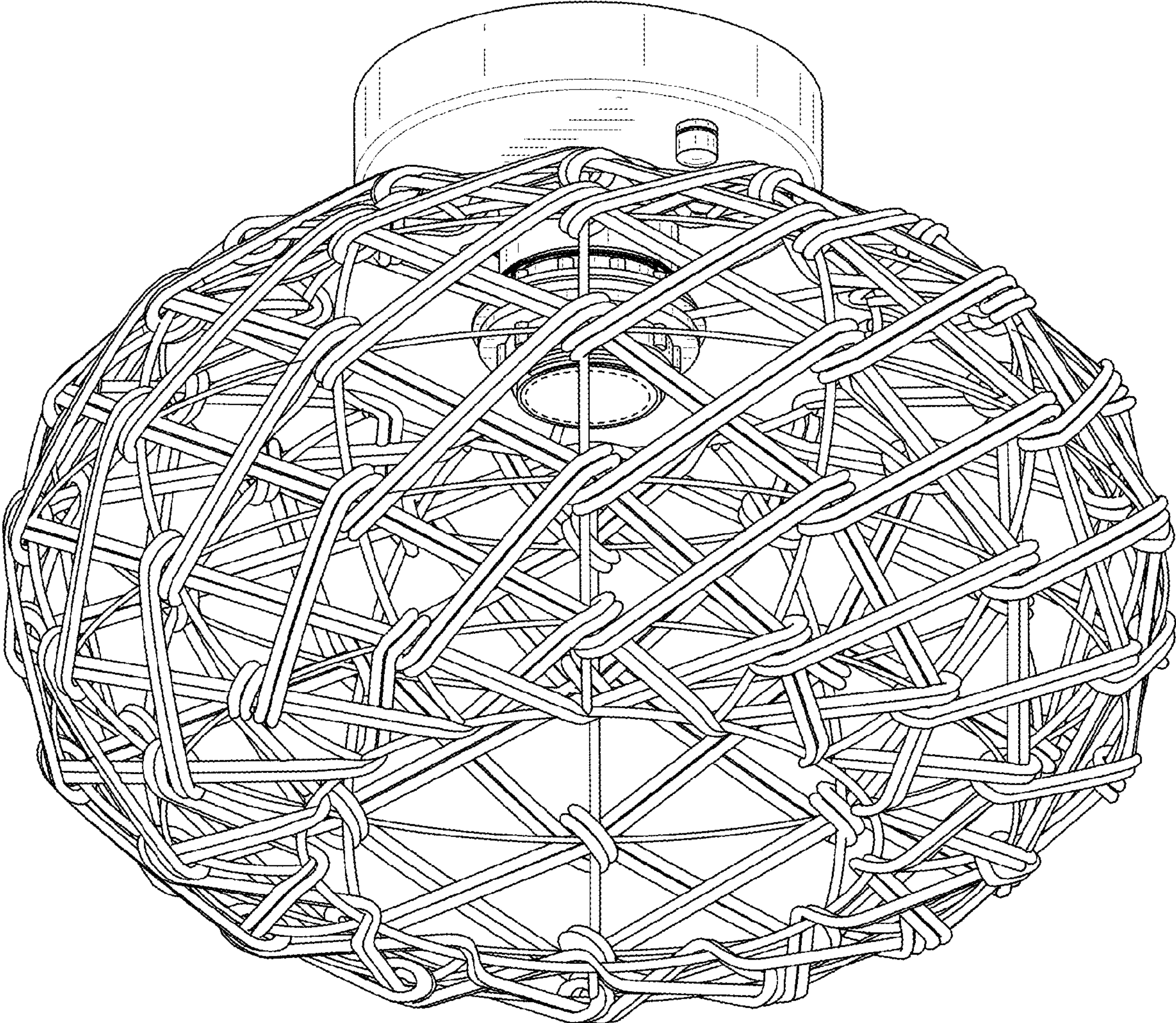


FIG. 2

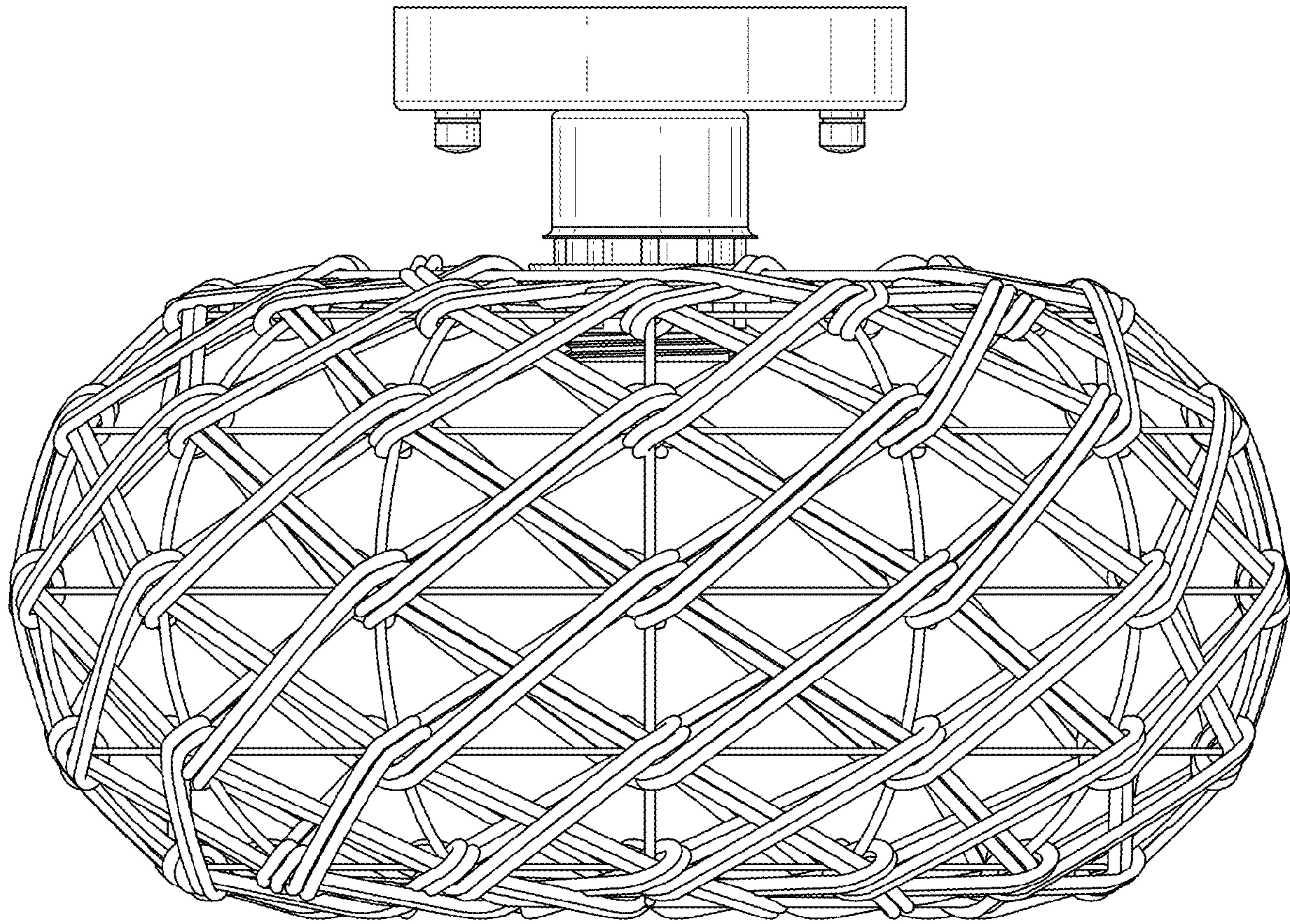


FIG. 3

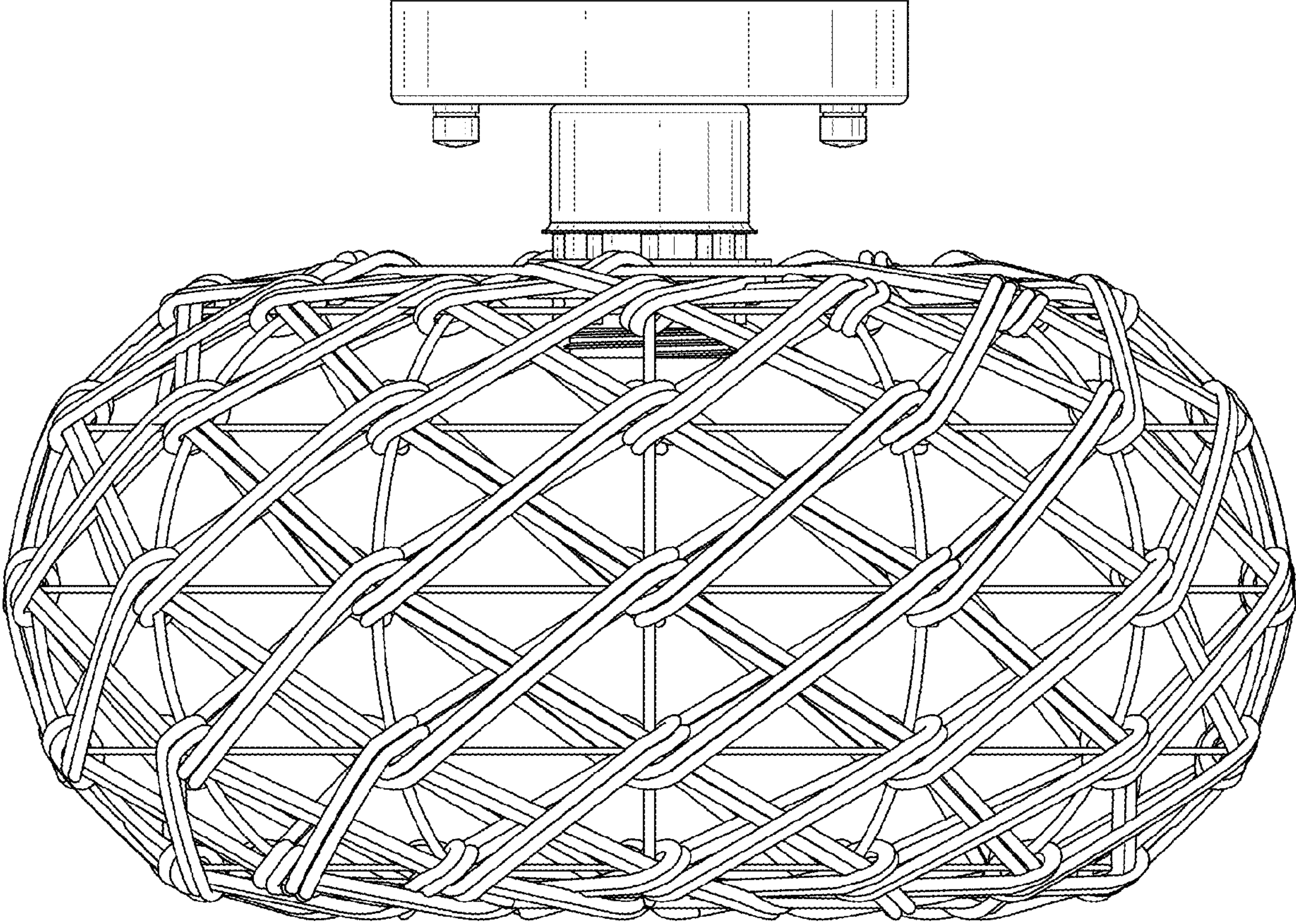


FIG. 4

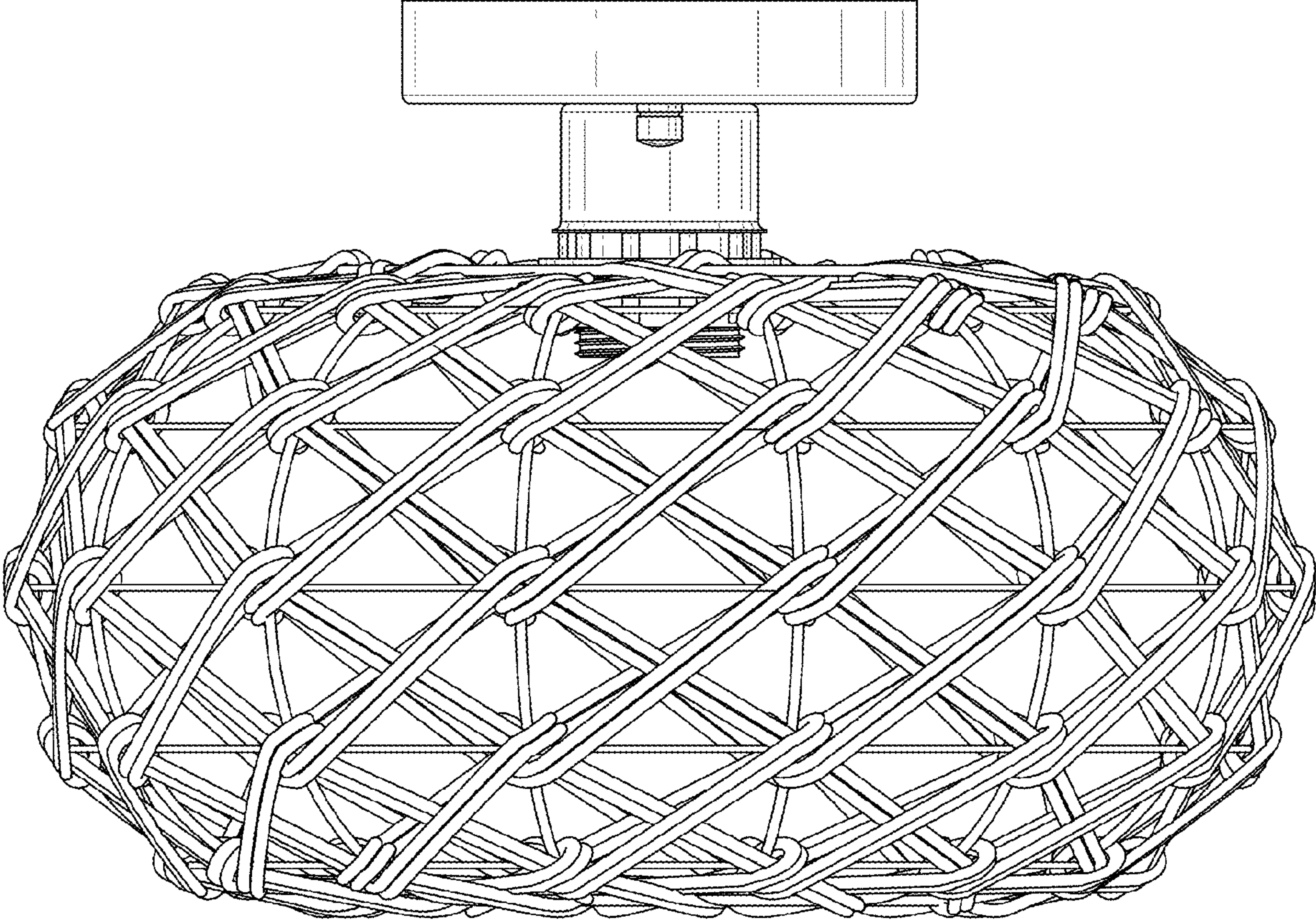


FIG. 5

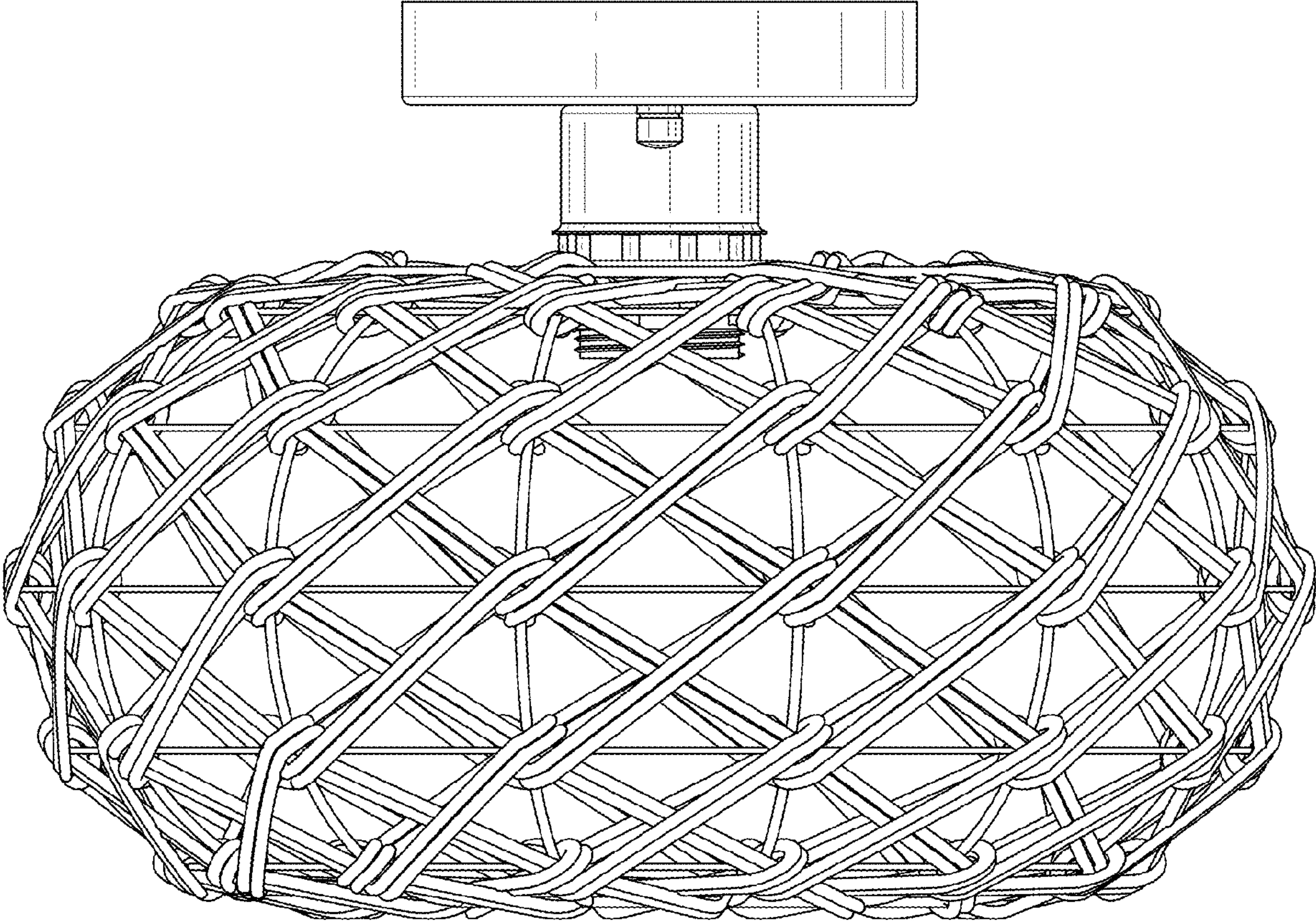


FIG. 6

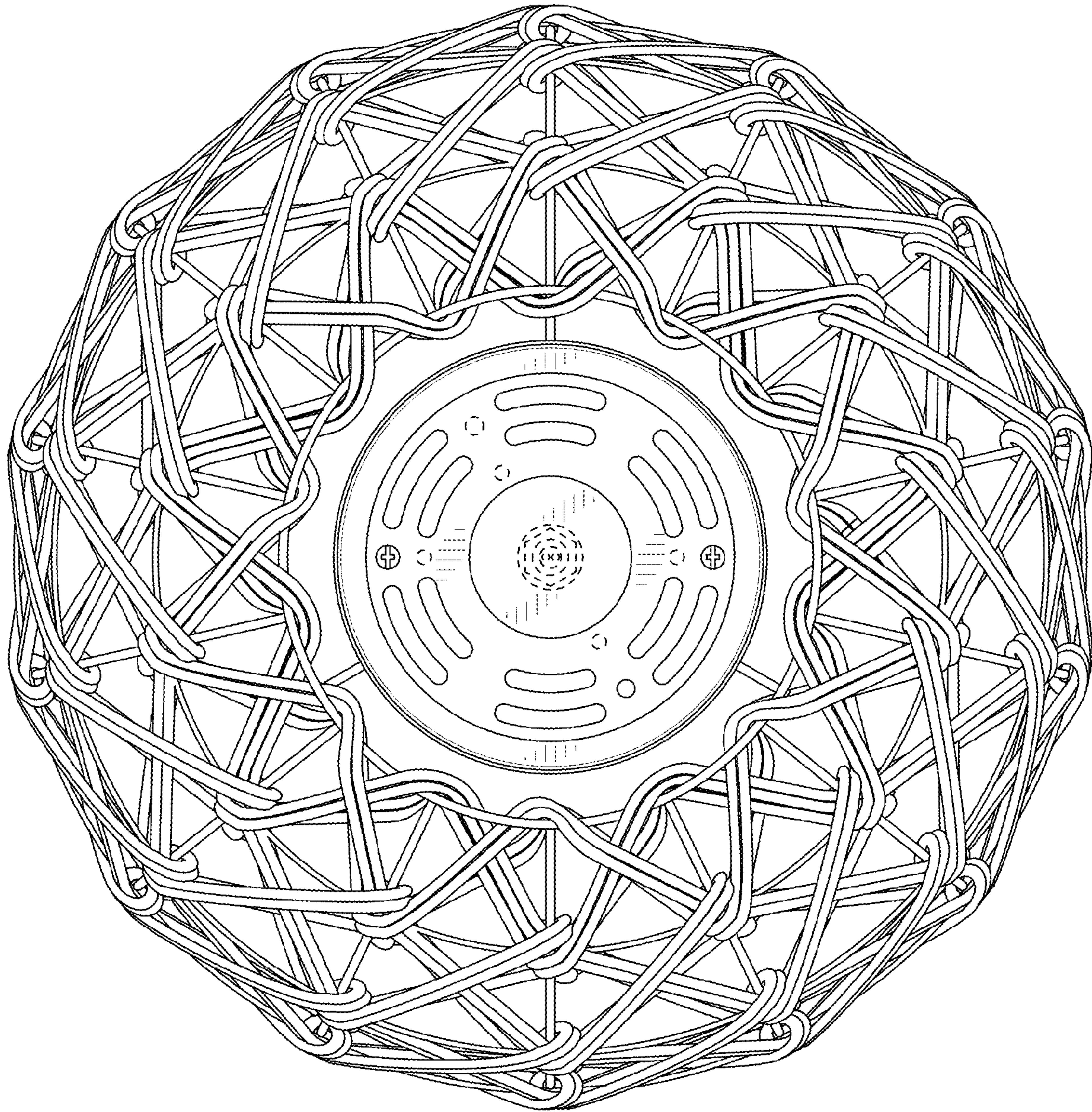


FIG. 7

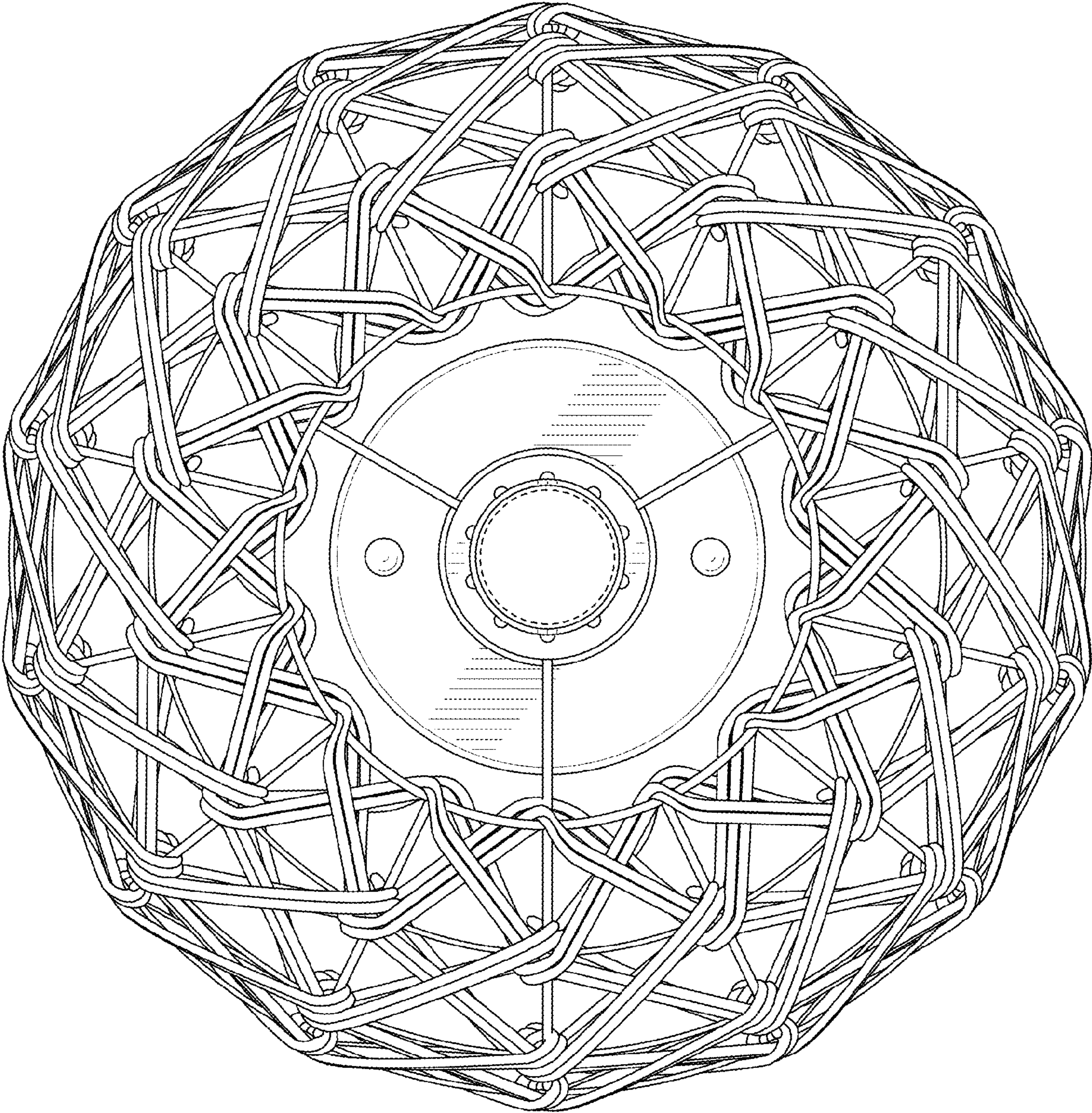


FIG. 8