



US00D985168S

(12) **United States Design Patent**
Xu

(10) **Patent No.:** **US D985,168 S**

(45) **Date of Patent:** **** May 2, 2023**

(54) **LIGHT**

(71) Applicant: **Zhiming Xu**, Zhongshan (CN)

(72) Inventor: **Zhiming Xu**, Zhongshan (CN)

(**) Term: **15 Years**

(21) Appl. No.: **29/859,004**

(22) Filed: **Nov. 7, 2022**

(51) **LOC (14) Cl.** **26-03**

(52) **U.S. Cl.**
USPC **D26/67**

(58) **Field of Classification Search**
USPC D11/117, 121, 130; D26/1, 2, 4, 24, 25,
D26/27, 57, 61, 67, 73, 94, 98, 103, 110,
D26/119, 128

CPC F21V 21/0824; F21V 5/041; F21V 5/043;
F21V 5/045; F21V 5/046; F21V 5/048;
F21V 3/02; F21V 1/14; F21V 1/143;
F21V 1/24; F21V 1/20; F21V 1/22

See application file for complete search history.

(56) **References Cited**

U.S. PATENT DOCUMENTS

D839,472 S *	1/2019	Hu	D26/118
D895,876 S	9/2020	Leng et al.		
D899,659 S	10/2020	Wang		
D903,921 S *	12/2020	Zhuo	D26/63
D905,312 S *	12/2020	Zhuo	D26/63
D921,261 S *	6/2021	Qiu	D26/67

D923,845 S *	6/2021	Kong	D26/63
D924,458 S	7/2021	Tang		
D925,084 S *	7/2021	Chen	D26/63
D925,100 S *	7/2021	Hui	D26/68
D944,434 S *	2/2022	Li	D26/63
D963,225 S *	9/2022	Zhuo	D26/63
D966,590 S *	10/2022	Huang	D26/63
D967,486 S *	10/2022	Zhuo	D26/63
D967,489 S *	10/2022	Sun	D26/67
D968,670 S *	11/2022	Yuan	D26/67
D970,077 S *	11/2022	Jin	D26/67
D970,758 S *	11/2022	Zhou	D26/25

* cited by examiner

Primary Examiner — Michael A. Pratt

(74) *Attorney, Agent, or Firm* — Rumit Ranjit Kanakia

(57) **CLAIM**

The ornamental design for a light, as shown and described.

DESCRIPTION

FIG. 1 is a first perspective view of a light showing my new design;

FIG. 2 is a second perspective view thereof;

FIG. 3 is a front view thereof;

FIG. 4 is a back view thereof;

FIG. 5 is a left side view thereof;

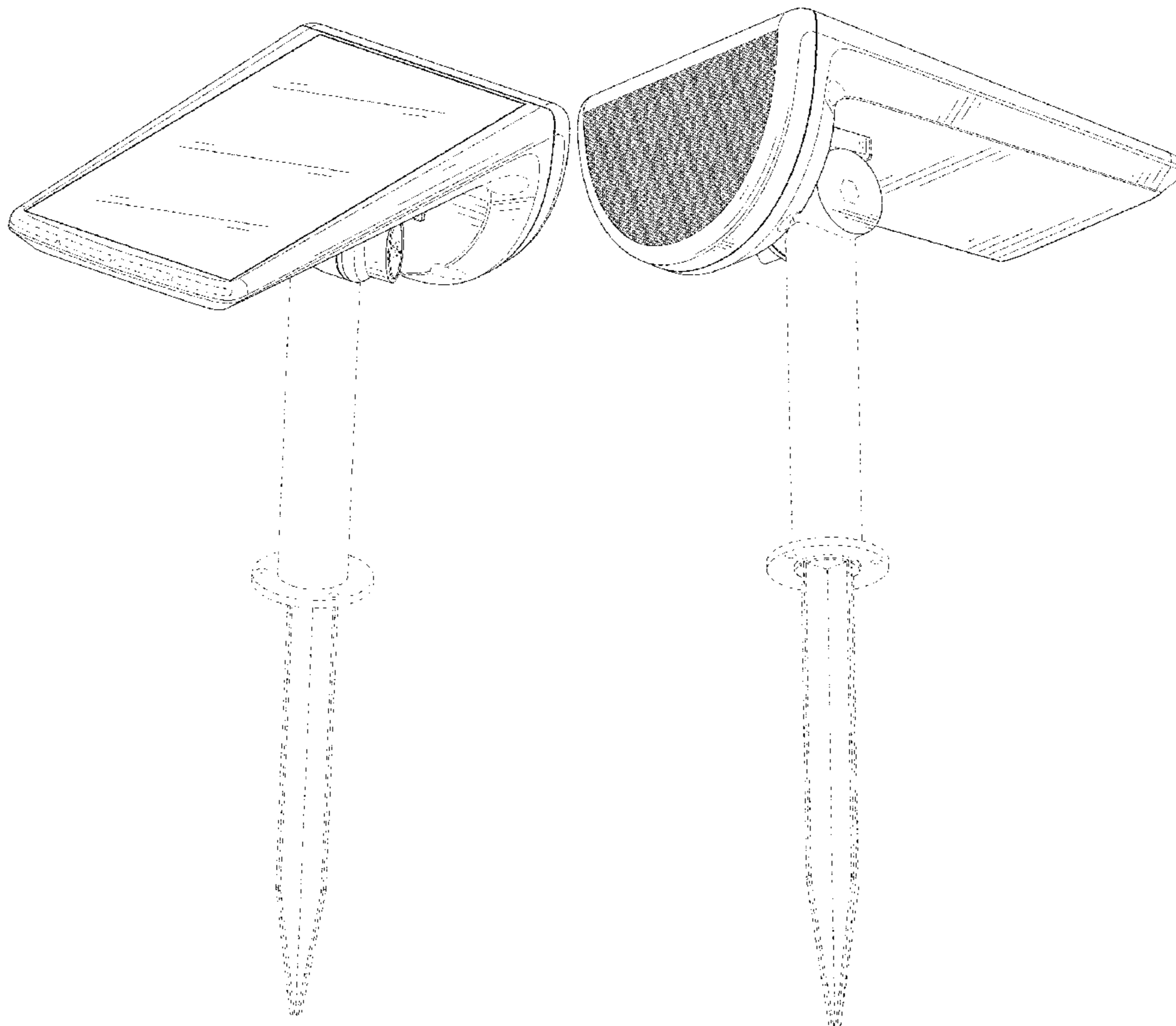
FIG. 6 is a right side view thereof;

FIG. 7 is a top view thereof; and,

FIG. 8 is a bottom view thereof.

The broken lines shown in the drawings depict portions of the light that form no part of the claimed design.

1 Claim, 8 Drawing Sheets



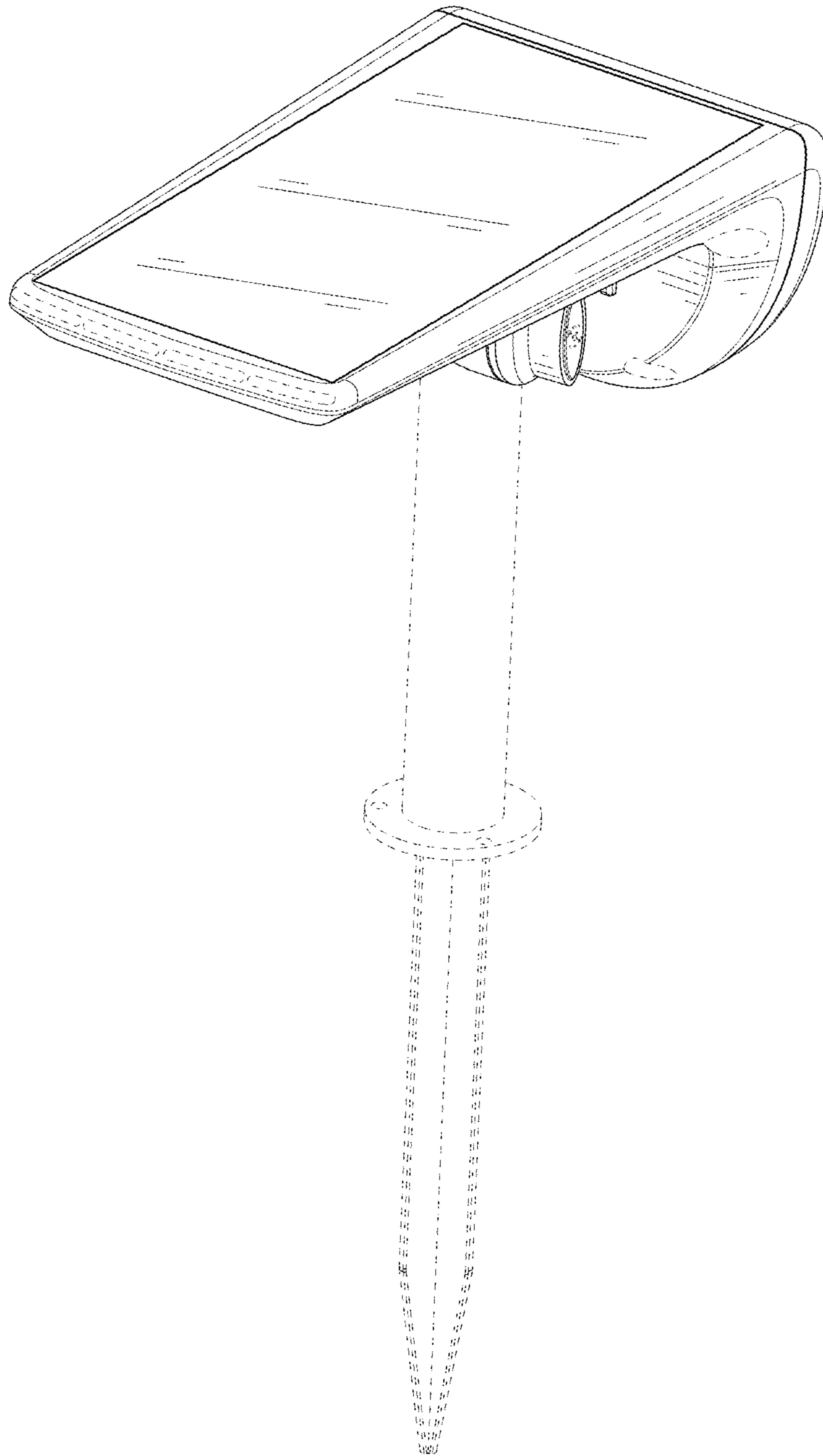


FIG. 1

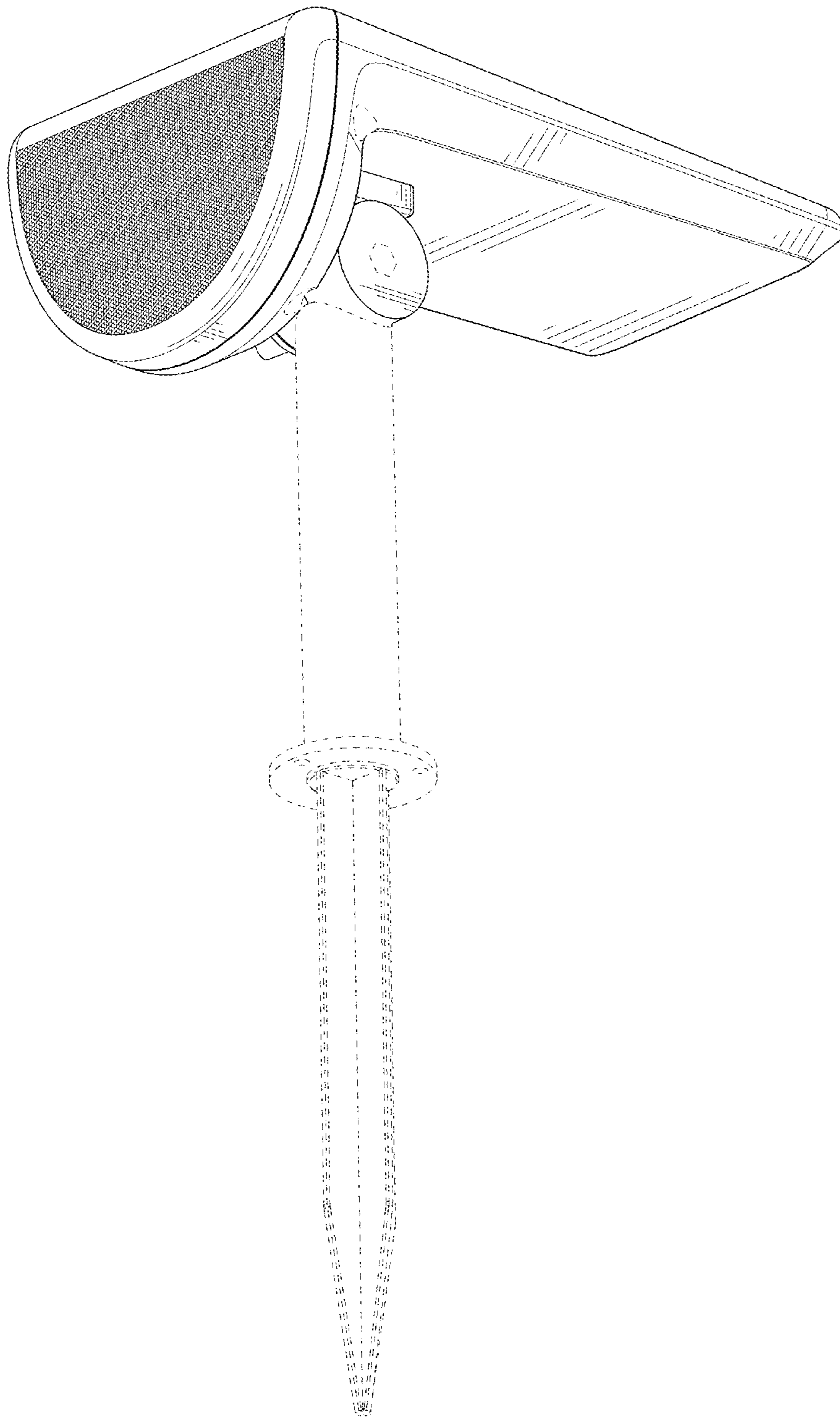


FIG. 2

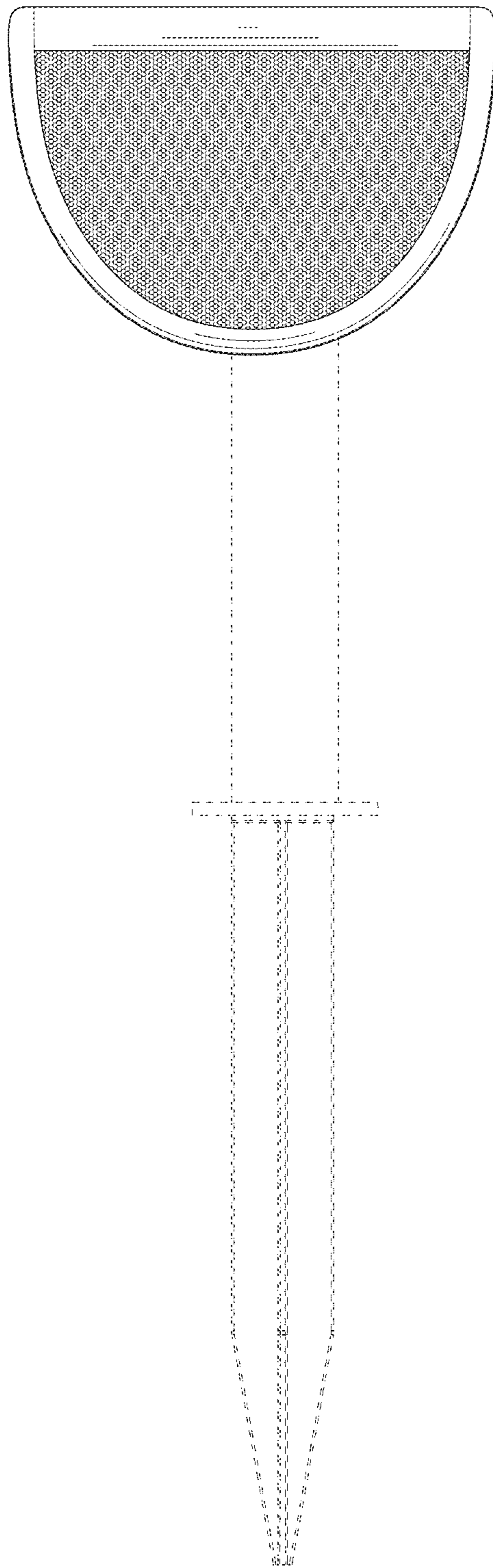


FIG. 3

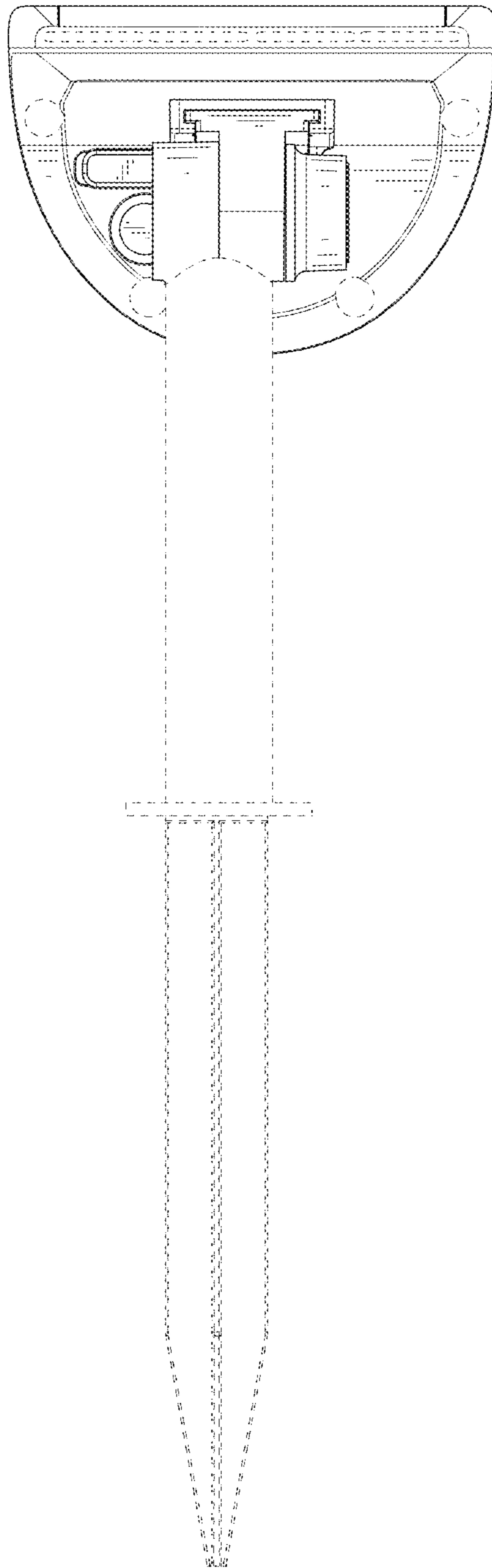


FIG. 4

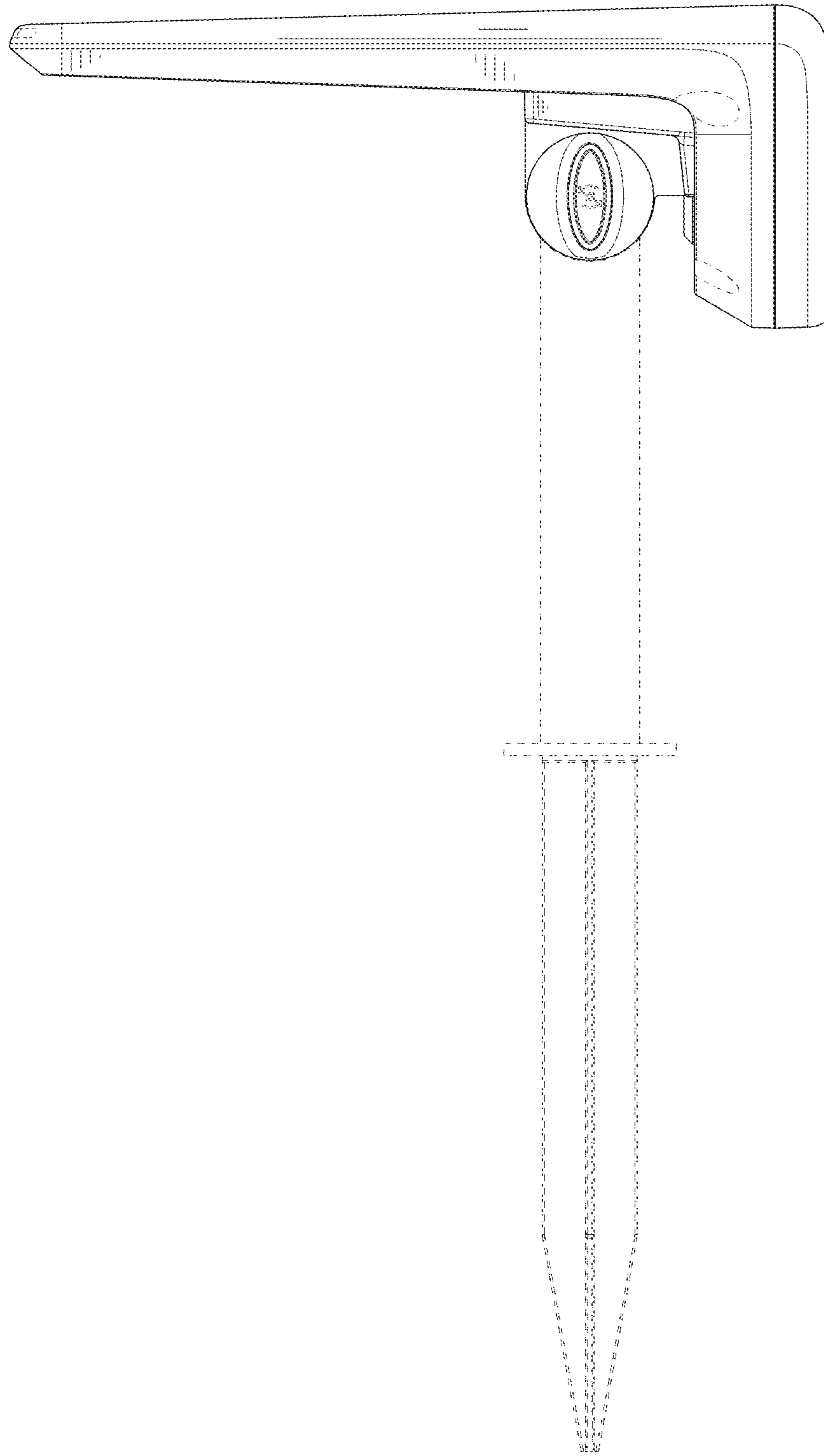


FIG. 5

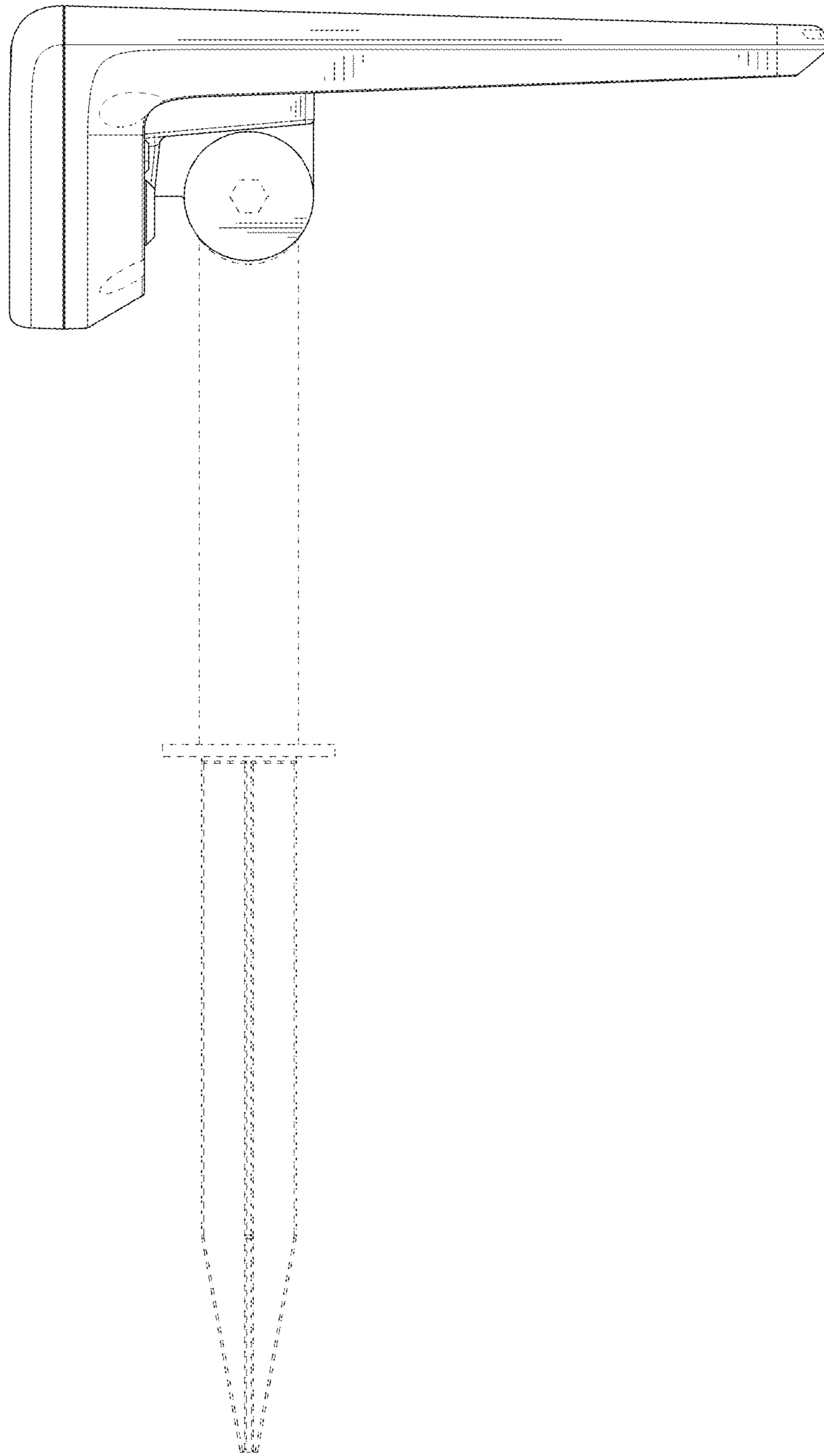


FIG. 6

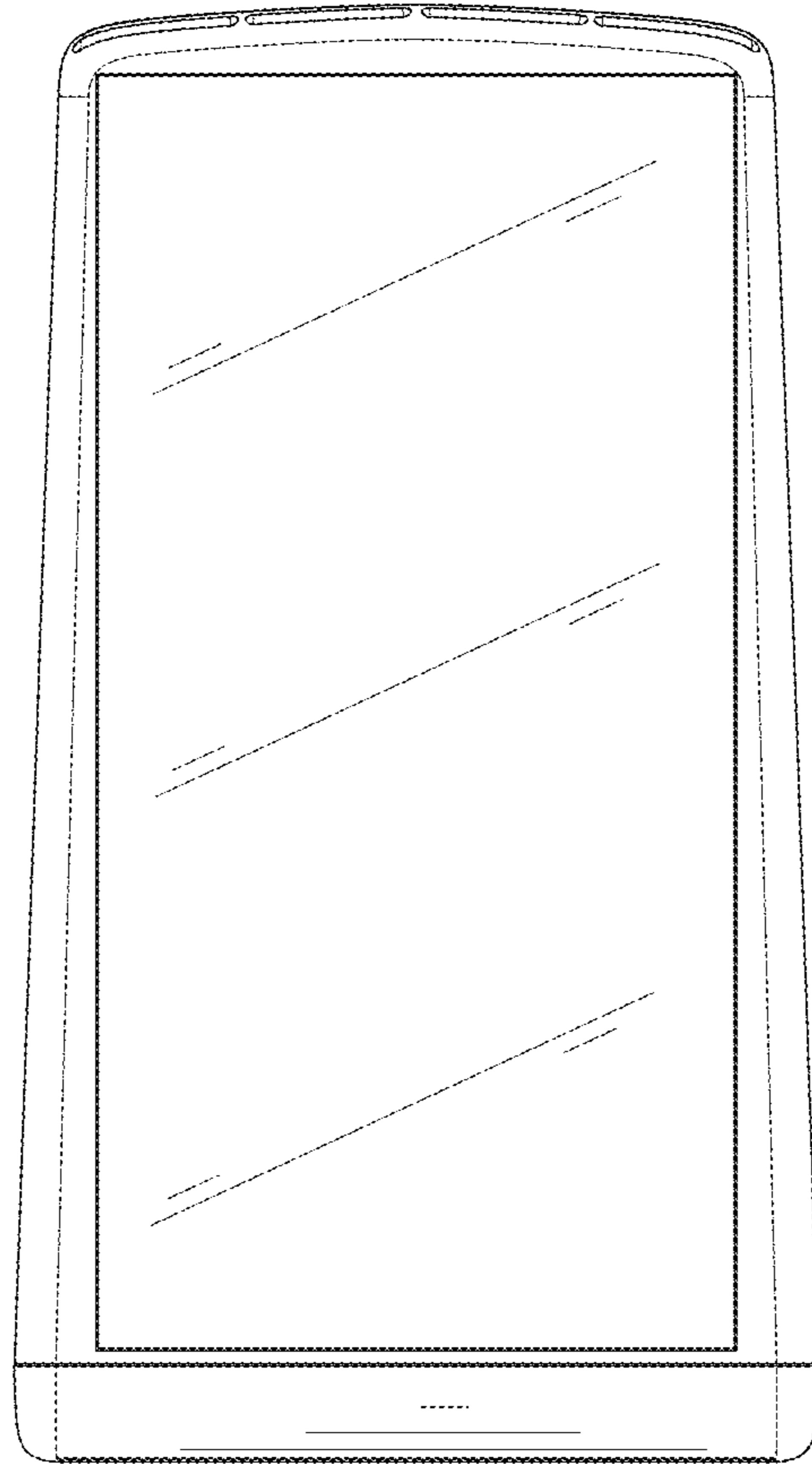


FIG. 7

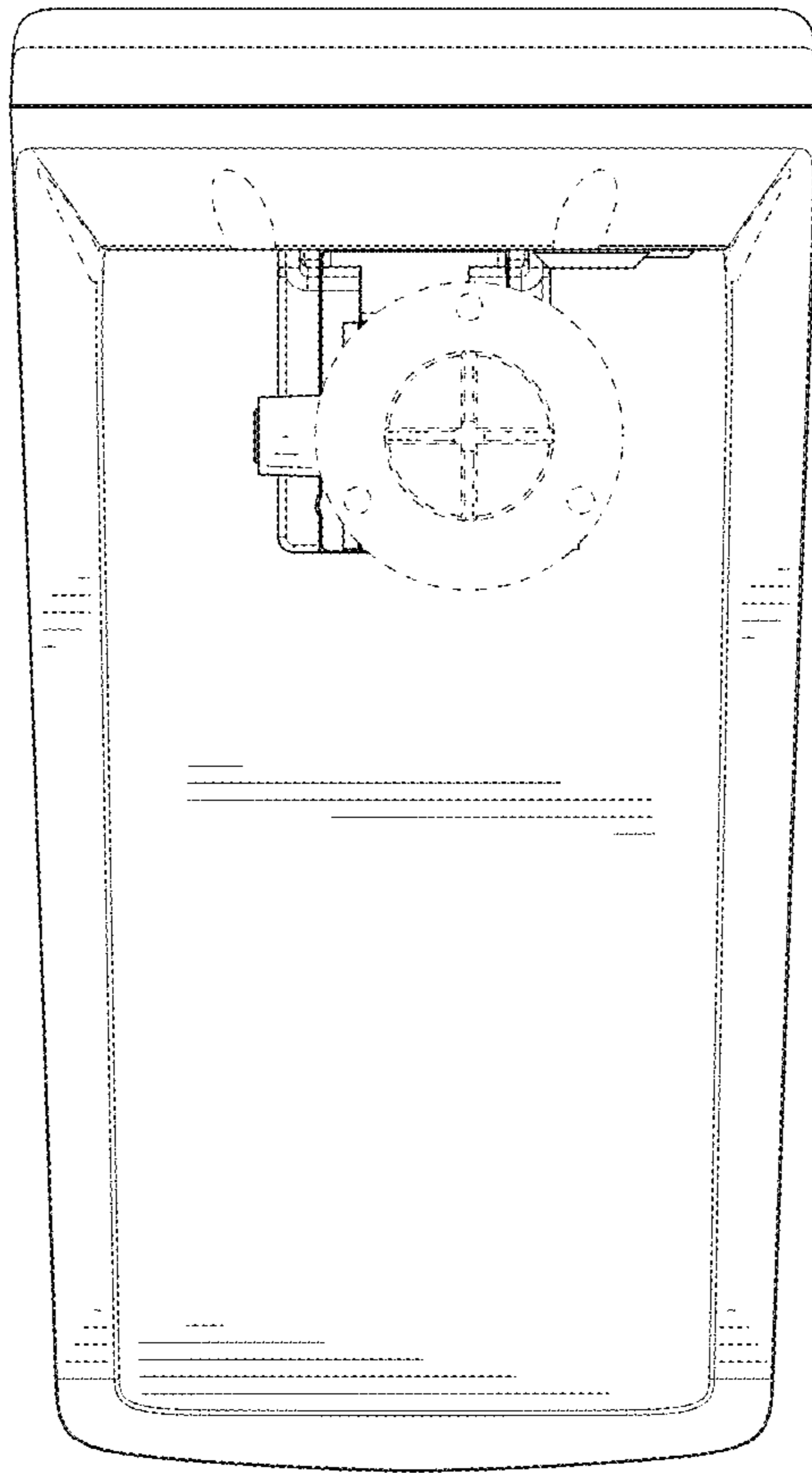


FIG. 8