



US00D985164S

(12) **United States Design Patent** (10) **Patent No.:** **US D985,164 S**
Mei (45) **Date of Patent:** **** May 2, 2023**

(54) **WORK LIGHT**

(71) Applicant: **Jinyong Mei**, Zhejiang (CN)

(72) Inventor: **Jinyong Mei**, Zhejiang (CN)

(73) Assignee: **Ningbo Messi Lighting Electric Co., Ltd.**, Zhejiang (CN)

(**) Term: **15 Years**

(21) Appl. No.: **29/749,492**

(22) Filed: **Sep. 4, 2020**

(51) **LOC (14) Cl.** **26-02**

(52) **U.S. Cl.**
USPC **D26/37**

(58) **Field of Classification Search**
USPC D26/24, 37-52, 60-61, 113, 138
CPC F21Y 2115/10; F21Y 2103/10; F21Y 2105/10; F21Y 2101/00; F21Y 2113/00; F21V 21/08; F21V 21/406; F21V 21/0965; F21V 21/0885; F21V 27/005; F21V 21/145; F21V 23/0414; F21V 15/01; F21V 14/025; F21V 5/006; F21V 14/045; F21V 21/0925; F21V 21/14; F21V 9/083; F21L 14/023; F21L 4/00; F21L 4/08; F21L 4/04; F21L 14/02; F21L 4/02; F21L 4/027; F21L 14/00; F21L 4/045; F21L 4/085; F21W 2111/10
See application file for complete search history.

(56) **References Cited**

U.S. PATENT DOCUMENTS

D498,551 S * 11/2004 Chan D26/37
D656,646 S * 3/2012 Kawase D26/44
D663,454 S * 7/2012 Sham D26/37
D665,522 S * 8/2012 Werner D26/37
D715,300 S * 10/2014 Shen D14/423
D757,973 S * 5/2016 Zhang D26/44
D799,096 S * 10/2017 Bao D26/65

D882,838 S * 4/2020 Mao D26/37
D930,206 S * 9/2021 Sharrah D26/44
2017/0130912 A1 * 5/2017 Keller G02B 6/0036
2020/0224836 A1 * 7/2020 McLennan F21V 23/0492

OTHER PUBLICATIONS

LED Rechargeable Magnetic Work Light. By OmiBrite. Dated Jul. 14, 2021. Found online [Apr. 6, 2022]. <https://www.amazon.com/Rechargeable-Magnetic-Foldable-Underhood-Brightness/dp/B099DNJSWM> (Year: 2021).*

* cited by examiner

Primary Examiner — Mark A Goodwin
Assistant Examiner — William B Melliar

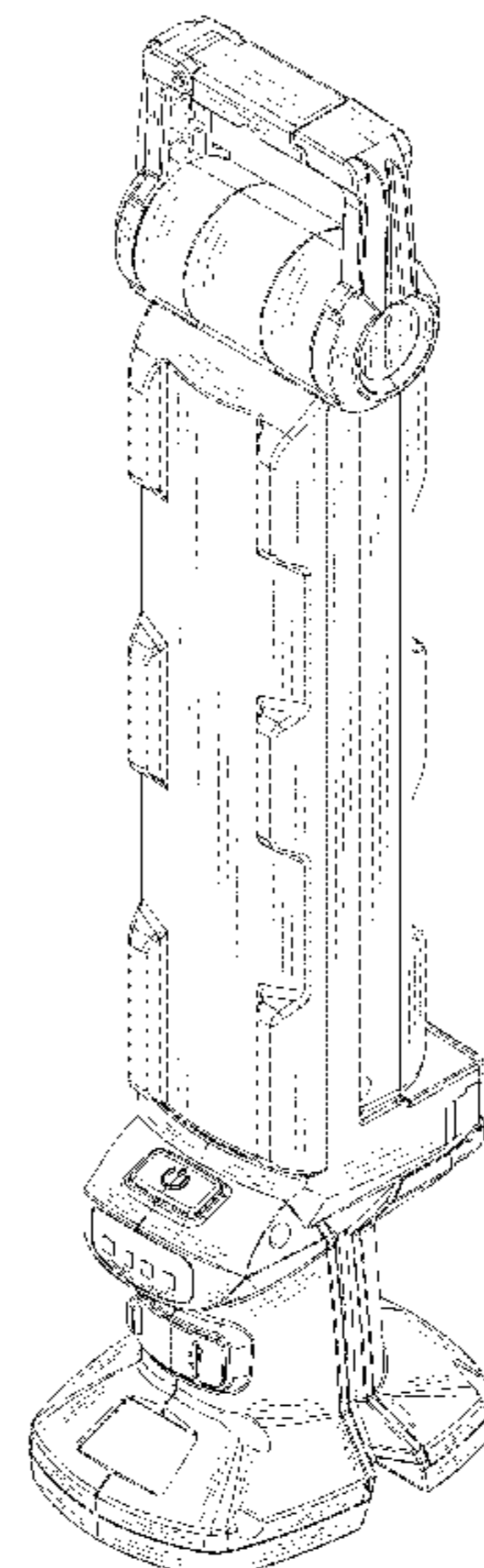
(57) **CLAIM**

The ornamental design for a work light, as shown and described.

DESCRIPTION

FIG. 1 is a front, right and top perspective view of a work light showing my new design;
FIG. 2 is a rear, right and top perspective view thereof;
FIG. 3 is a rear and bottom perspective view thereof;
FIG. 4 is a front elevation view thereof;
FIG. 5 is a rear elevation view thereof;
FIG. 6 is a left side elevation view thereof;
FIG. 7 is a right side elevation view thereof;
FIG. 8 is a top plan view thereof, shown enlarged in scale;
FIG. 9 is a bottom plan view thereof, shown enlarged in scale;
FIG. 10 is a first perspective view of the work light shown in a first use state;
FIG. 11 is a second perspective view of the work light shown in a first use state; and,
FIG. 12 is a first perspective view of the work light shown in a second use state.
The broken lines in the drawings depict portions of the work light that form no part of the claimed design.

1 Claim, 12 Drawing Sheets



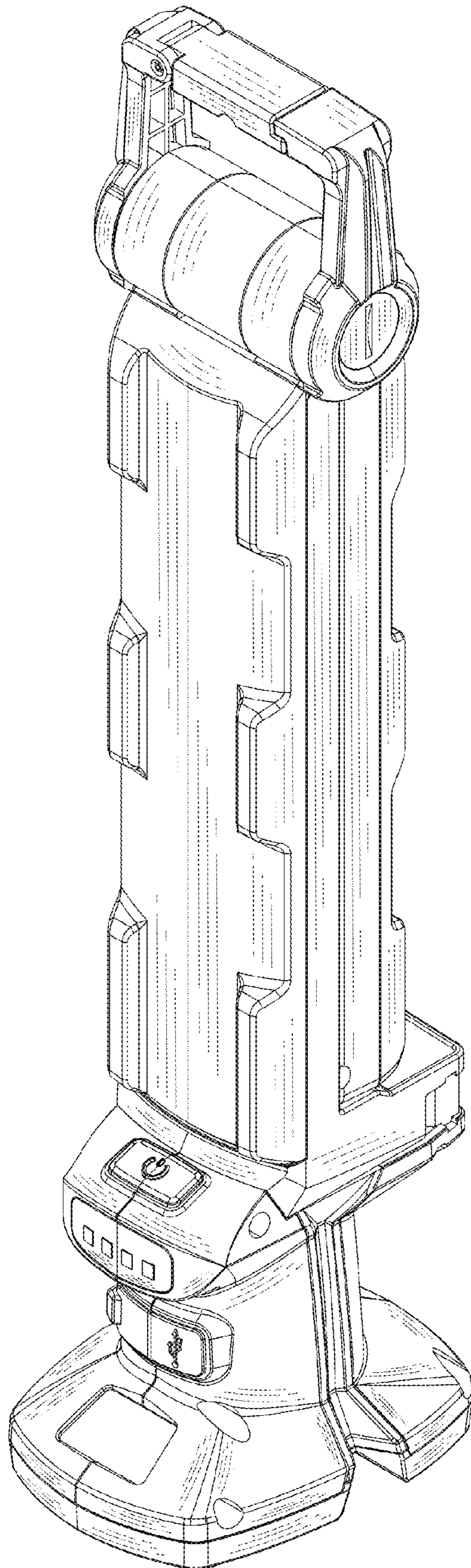


FIG. 1

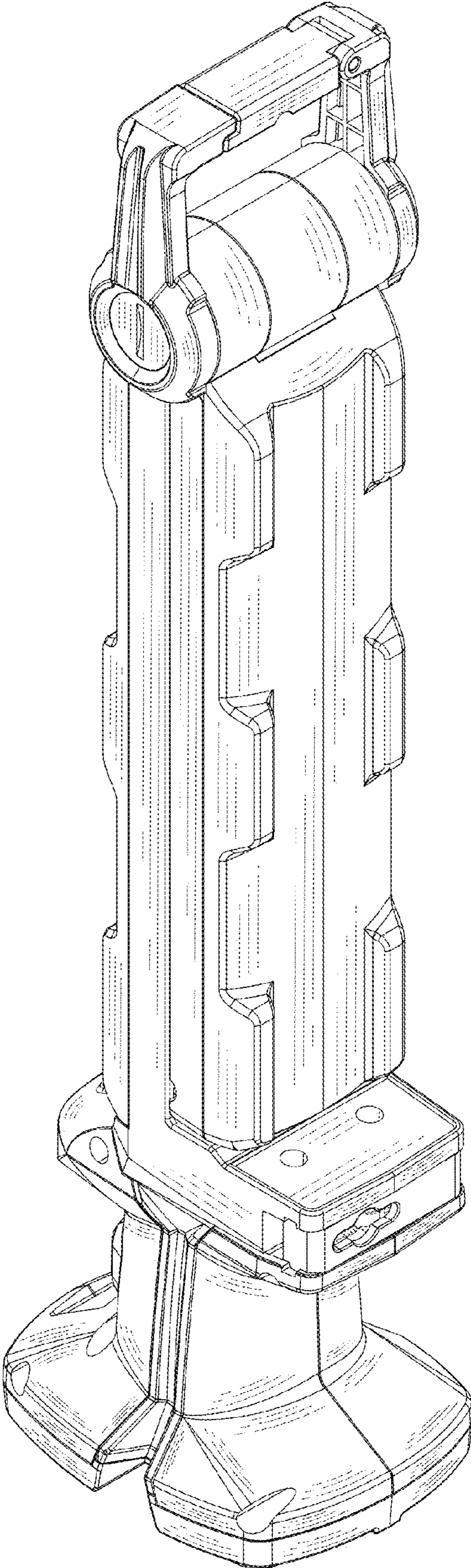


FIG. 2

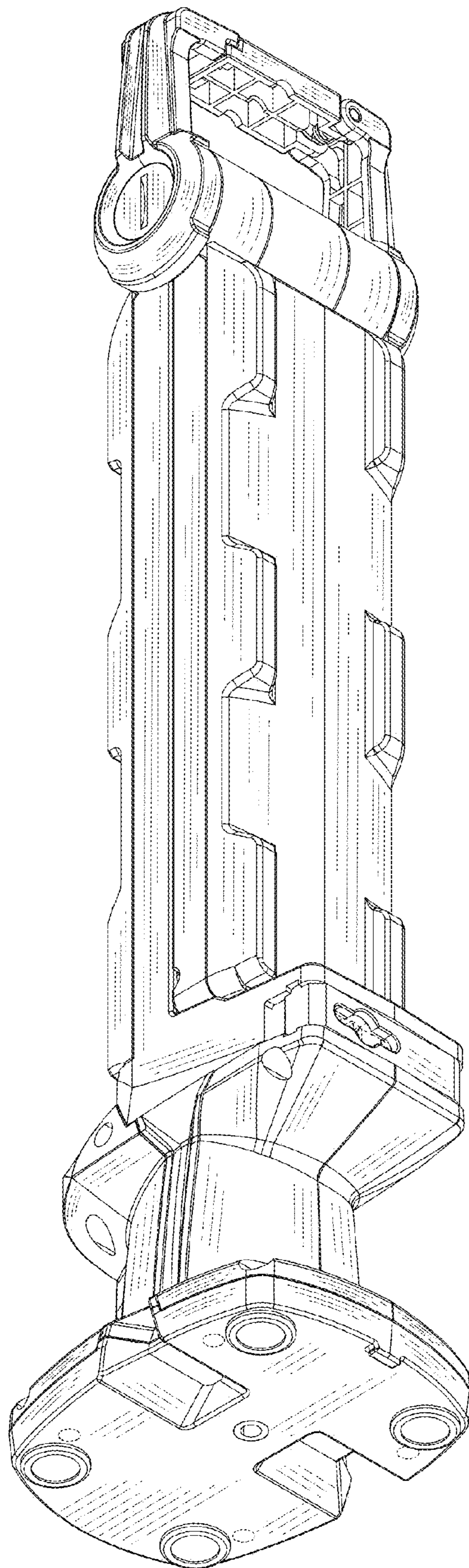


FIG. 3

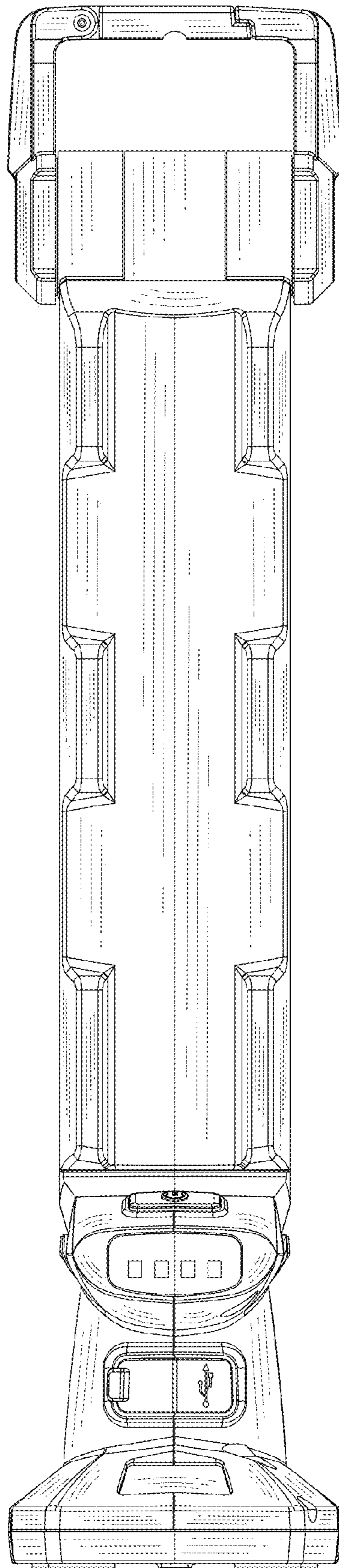


FIG. 4

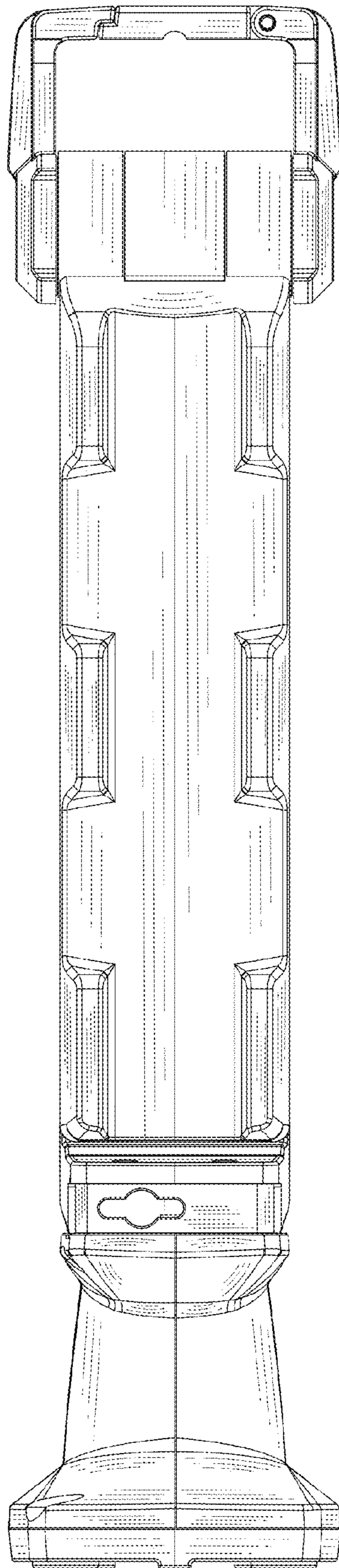


FIG. 5

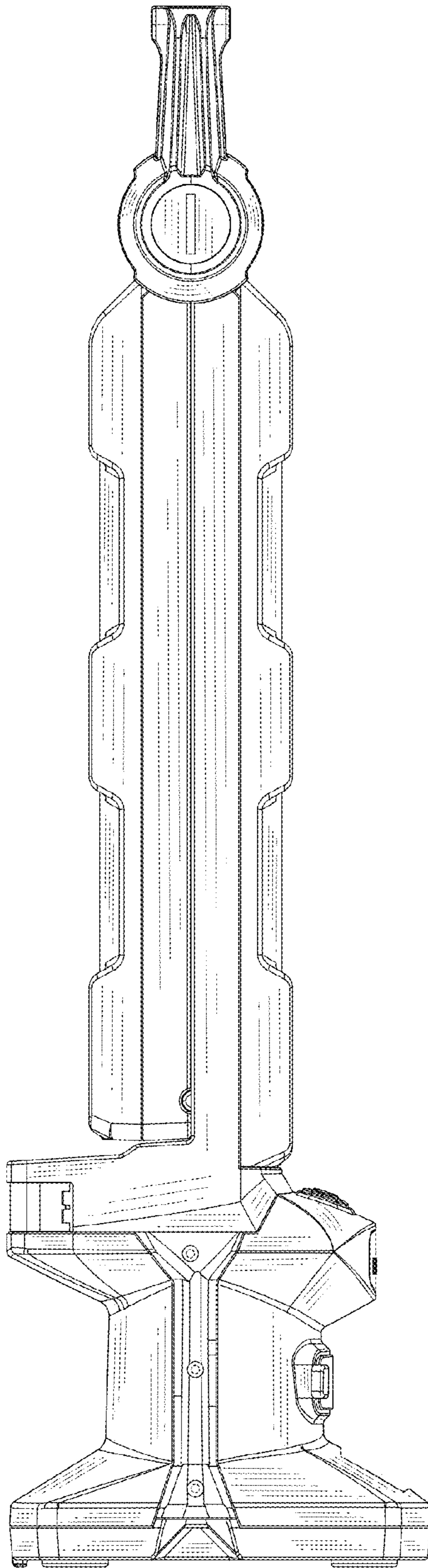


FIG. 6

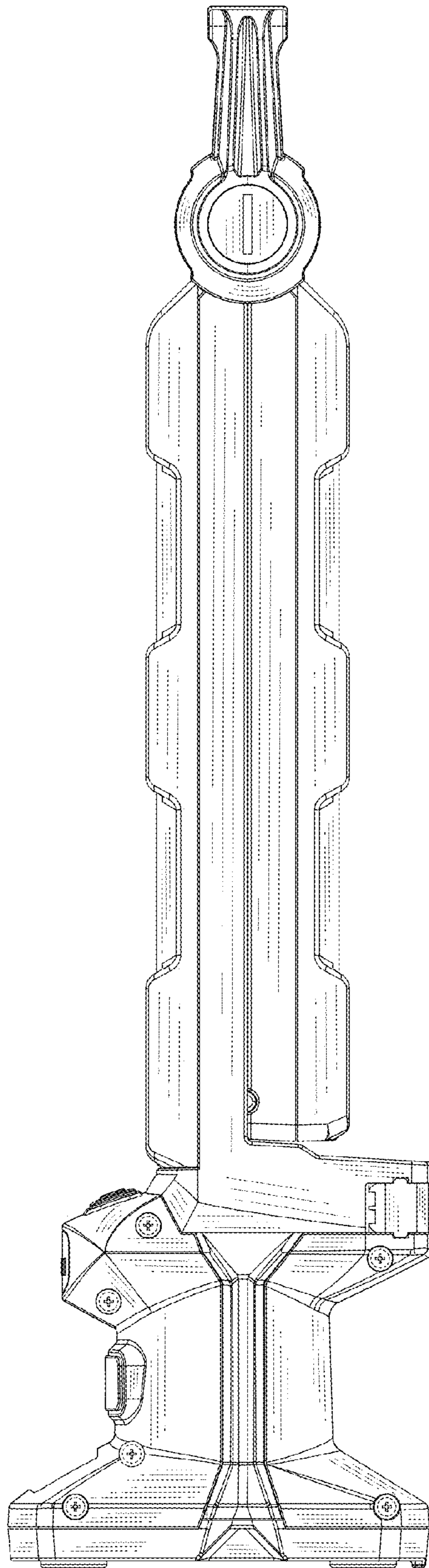


FIG. 7

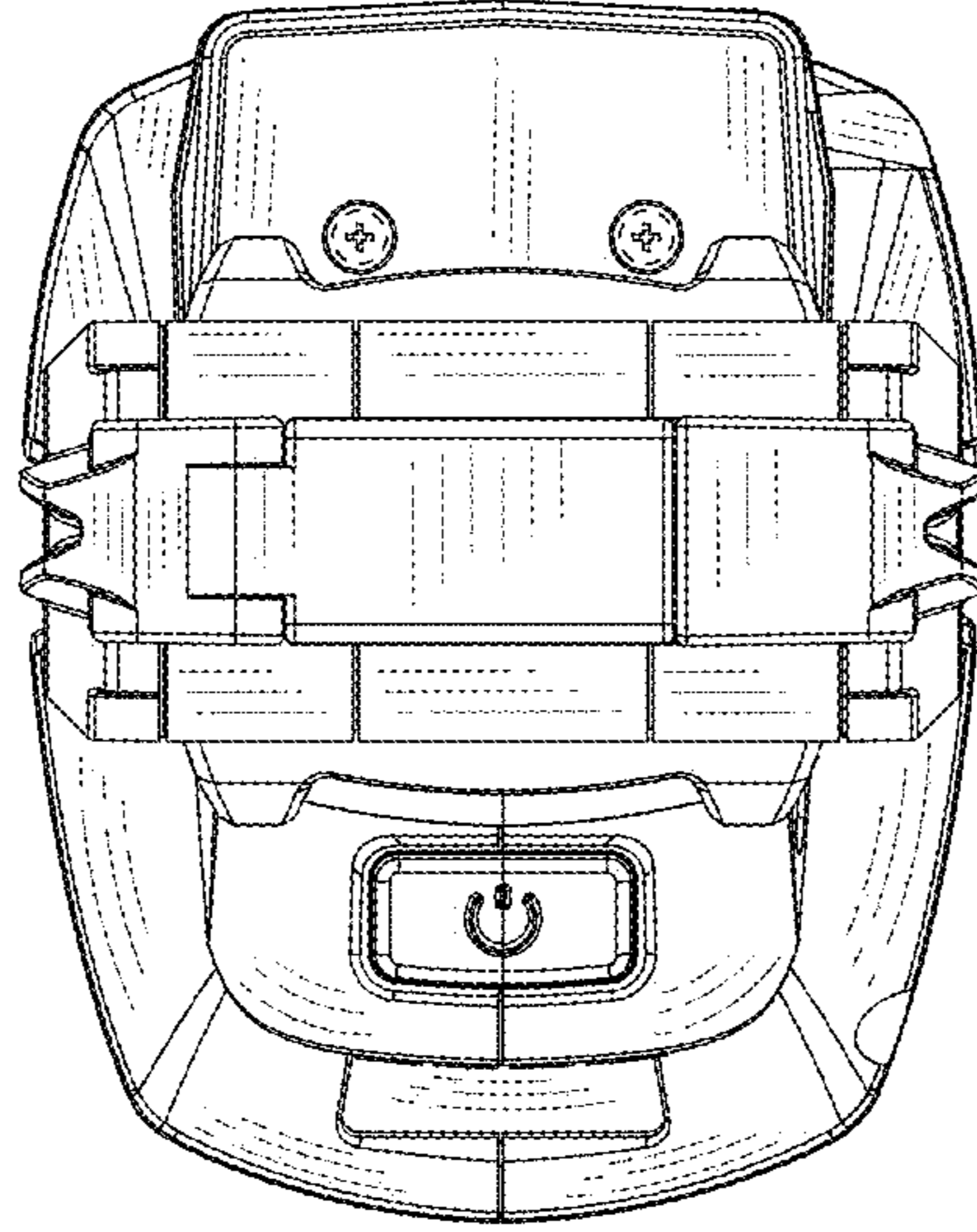


FIG. 8

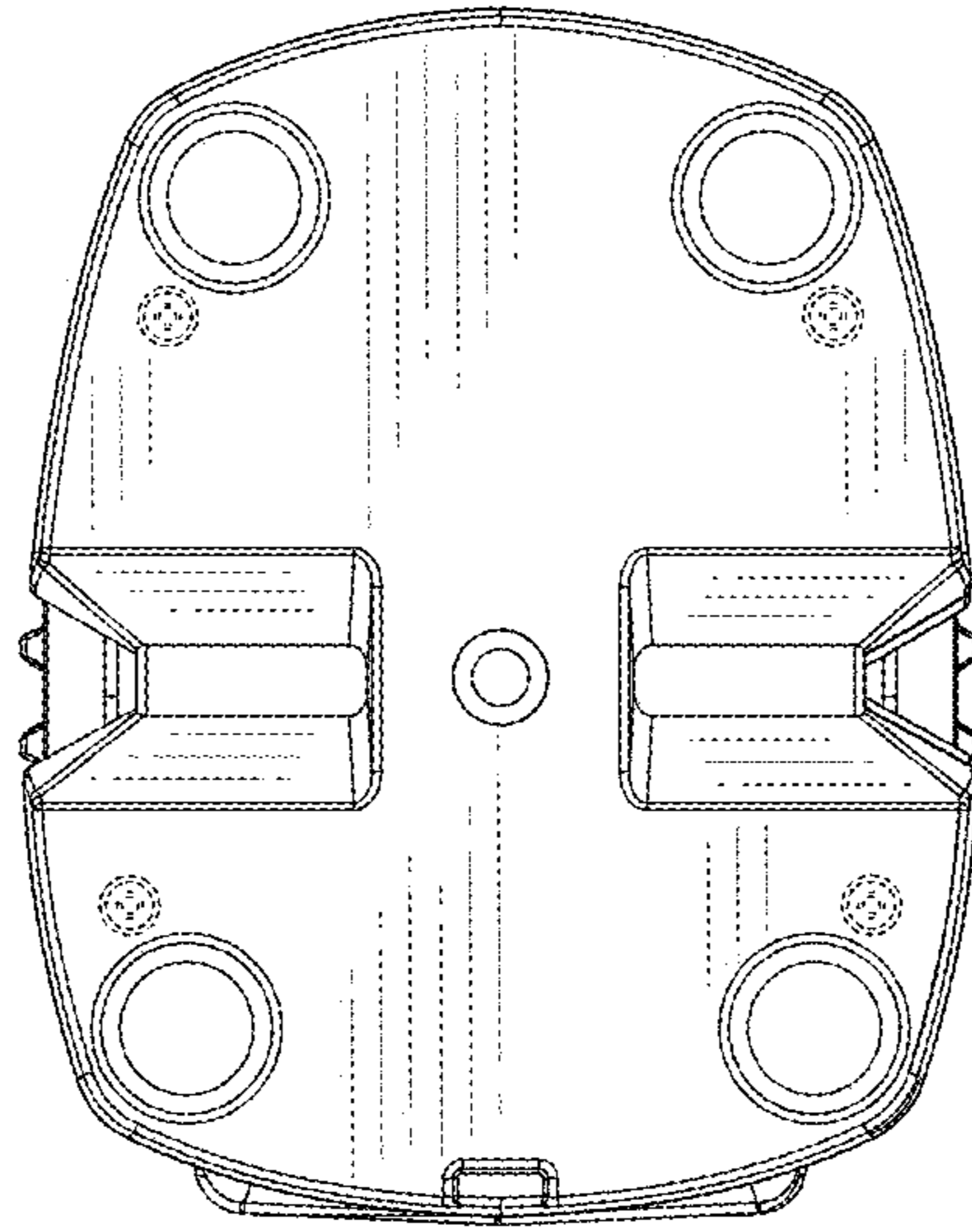


FIG. 9

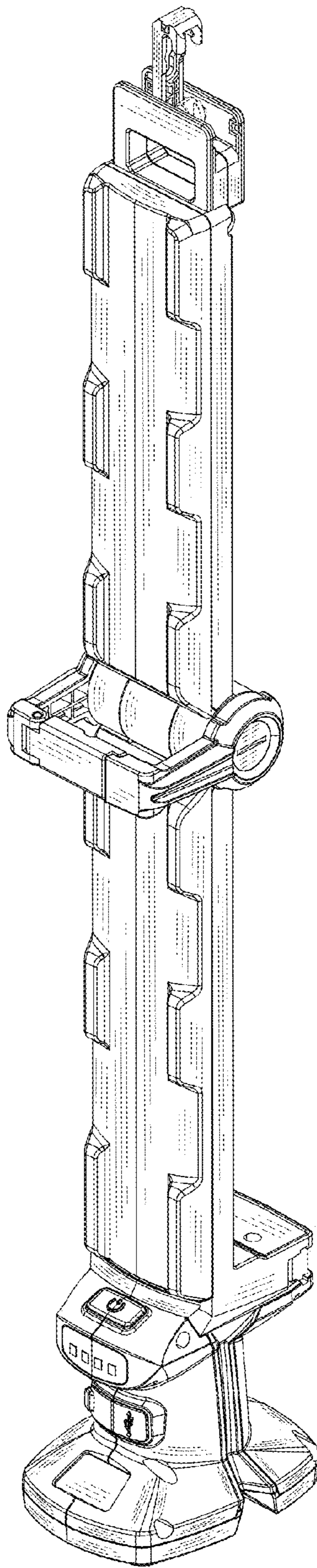


FIG. 10

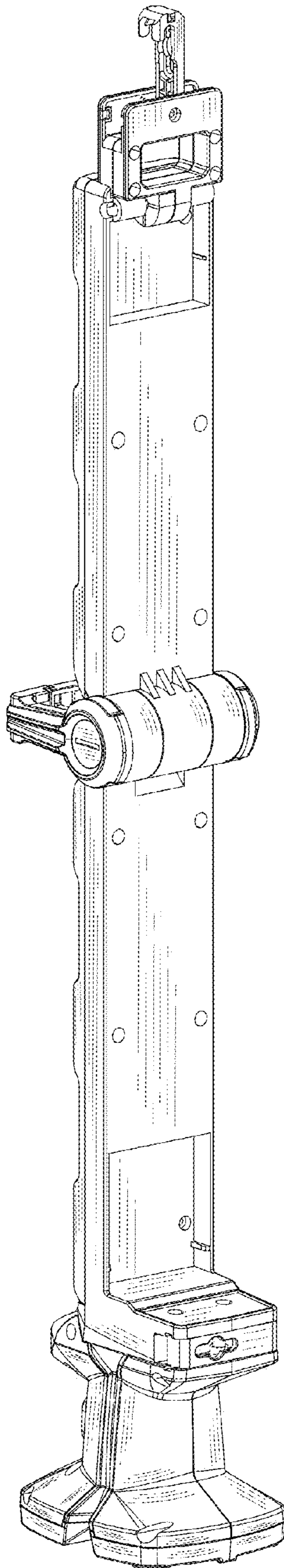


FIG. 11

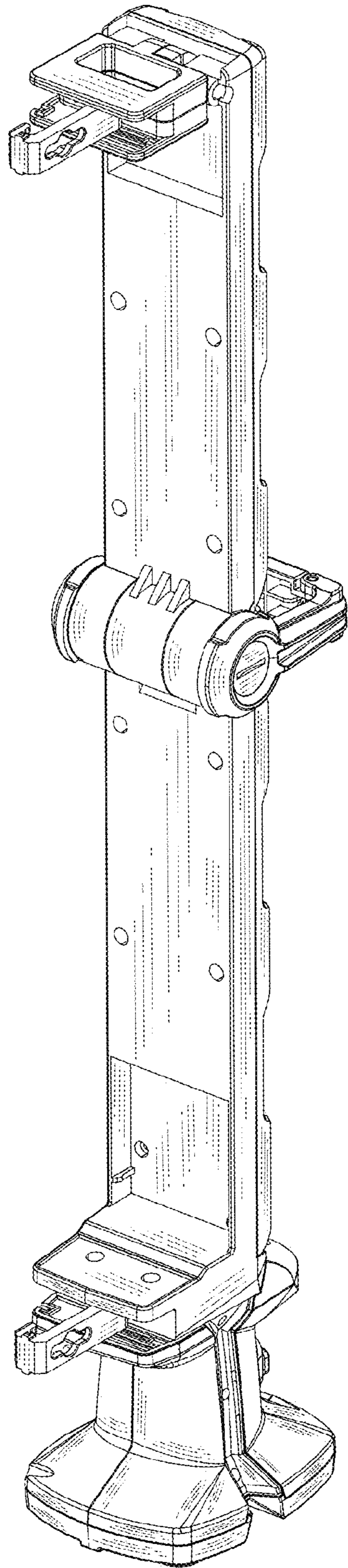


FIG. 12