



US00D985163S

(12) **United States Design Patent** (10) **Patent No.:** **US D985,163 S**
Hwang et al. (45) **Date of Patent:** **** May 2, 2023**

(54) **HEAD LAMP FOR VEHICLES**
(71) Applicants: **HYUNDAI MOTOR COMPANY**,
Seoul (KR); **KIA CORPORATION**,
Seoul (KR)
(72) Inventors: **Jae-Jin Hwang**, Gyeonggi-do (KR);
Jin-Yujun Kim, Seoul (KR)
(73) Assignees: **Hyundai Motor Company**, Seoul
(KR); **Kia Corporation**, Seoul (KR)
(**) Term: **15 Years**
(21) Appl. No.: **35/513,616**
(22) Filed: **Jan. 14, 2022**

(80) **Hague Agreement Data**
Int. Filing Date: **Jan. 14, 2022**
Int. Reg. No.: **DM/218651**
Int. Reg. Date: **Jan. 14, 2022**
Int. Reg. Pub. Date: **Feb. 11, 2022**
(51) **LOC (14) Cl.** **26-06**
(52) **U.S. Cl.**
USPC **D26/28**
CPC **F21S 41/00** (2018.01)
(58) **Field of Classification Search**
USPC D12/86, 90-92, 114, 163, 169, 171-173,
D12/181, 190, 196, 197, 199, 400;
D26/28-36
CPC ... B62J 6/02; B62J 6/00; B60Q 3/0279; F21S
48/00; F21S 48/10; F21S 48/115; F21S
48/225; F21S 48/1233; F21S 48/1266;
F21S 48/1388; F21S 48/2268; F21V
21/04
See application file for complete search history.

(56) **References Cited**
U.S. PATENT DOCUMENTS
D792,622 S * 7/2017 Briscoe D26/28
D819,241 S * 5/2018 Werner D26/28

D859,708 S * 9/2019 Kozub D26/28
D868,324 S * 11/2019 Kim D26/28
D883,526 S * 5/2020 Lin D26/28
D889,008 S * 6/2020 Lim D26/28
D893,065 S * 8/2020 He D26/28
D893,771 S * 8/2020 Lin D26/28
D895,180 S * 9/2020 Hong D26/28
D896,410 S * 9/2020 He D26/28
D899,641 S * 10/2020 He D26/28
D900,359 S * 10/2020 He D26/28
D903,160 S * 11/2020 Zipfel D26/28
D903,161 S * 11/2020 Zipfel D26/28
D905,876 S * 12/2020 Wu D26/28
D907,264 S * 1/2021 Lin D26/28
D908,937 S * 1/2021 Chen D26/28
D919,844 S * 5/2021 Lai D26/28
D919,845 S * 5/2021 Lin D26/28
D923,831 S * 6/2021 Chen D26/28
D929,622 S * 8/2021 Wu D26/28

(Continued)

Primary Examiner — Richard E Chilcot
(74) *Attorney, Agent, or Firm* — Fox Rothschild LLP

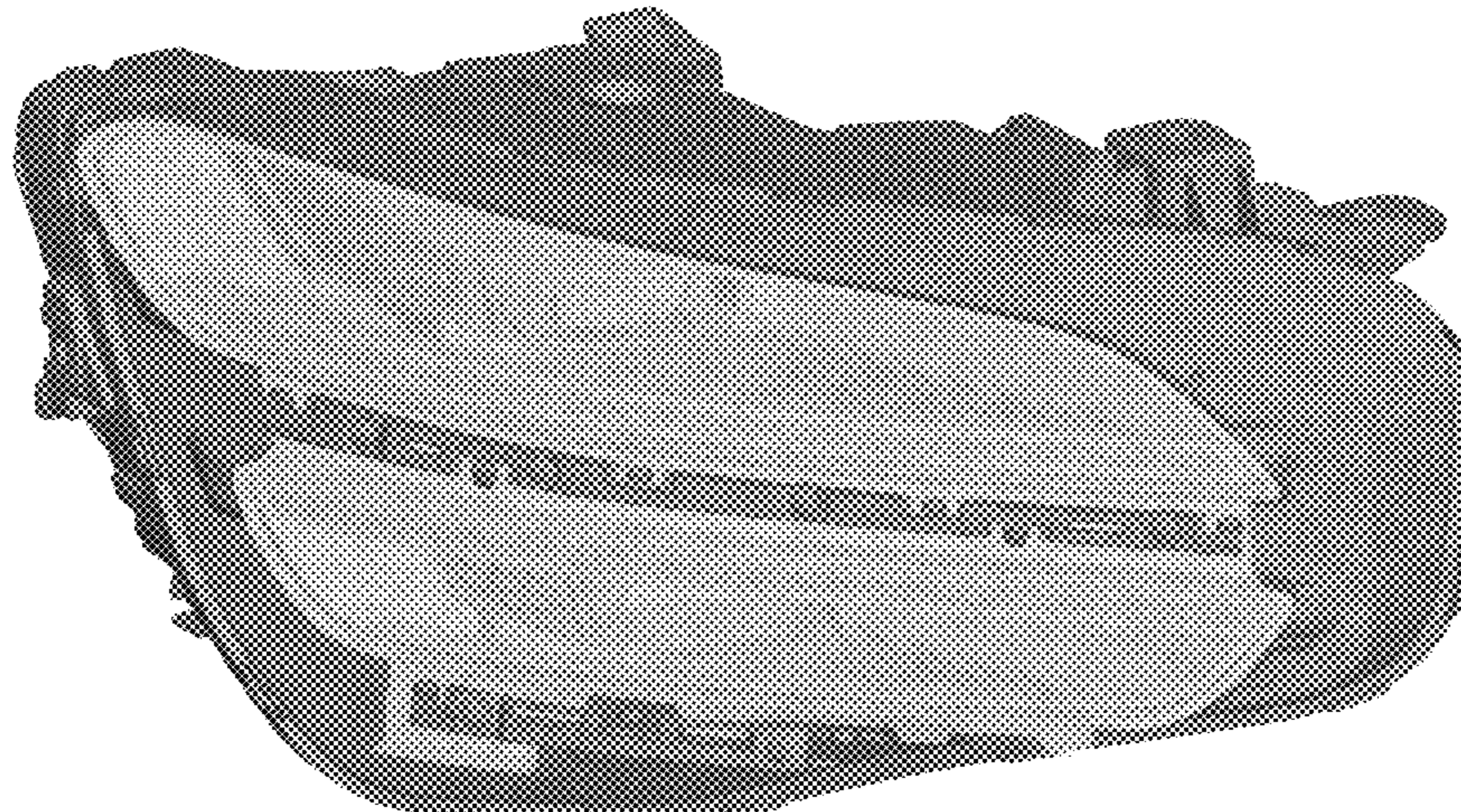
(57) **CLAIM**

The ornamental design for a head lamp for vehicles, as shown and described.

DESCRIPTION

1. Head lamp for vehicles
1.1 : Perspective
1.2 : Front
1.3 : Back
1.4 : Right
1.5 : Left
1.6 : Top
1.7 : Bottom
1.8 : Perspective
1.1 is a top, front, and right side perspective view of a head lamp for vehicles embodying our new design; 1.2 is a front elevation view thereof; 1.3 is a rear elevation view thereof; 1.4 is a right side elevation view thereof; 1.5 is a left side elevation view thereof; 1.6 is a top plan view thereof; 1.7 is

(Continued)



a bottom plan view thereof; and 1.8 is a top, rear, and right side perspective view thereof.

1 Claim, 8 Drawing Sheets

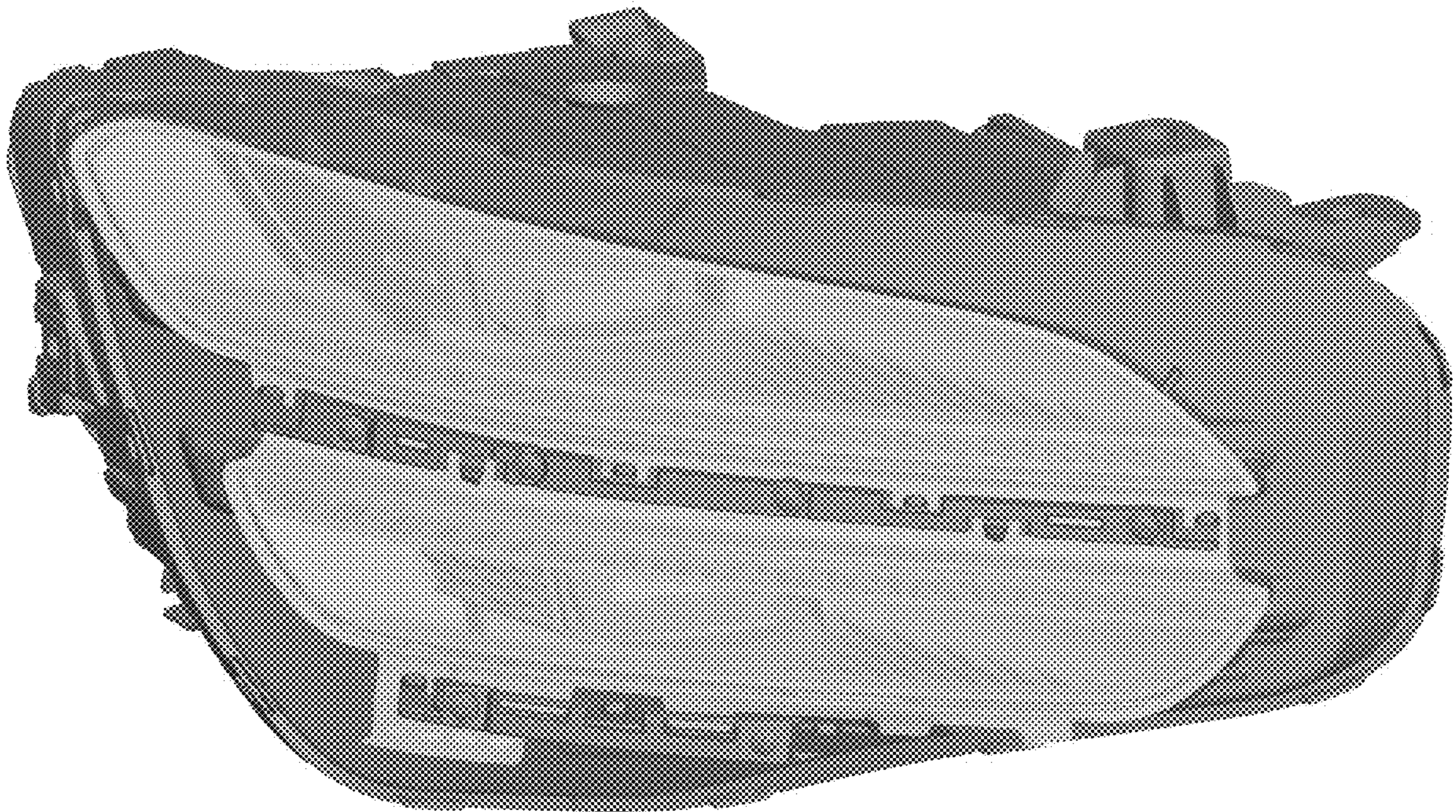
(56) **References Cited**

U.S. PATENT DOCUMENTS

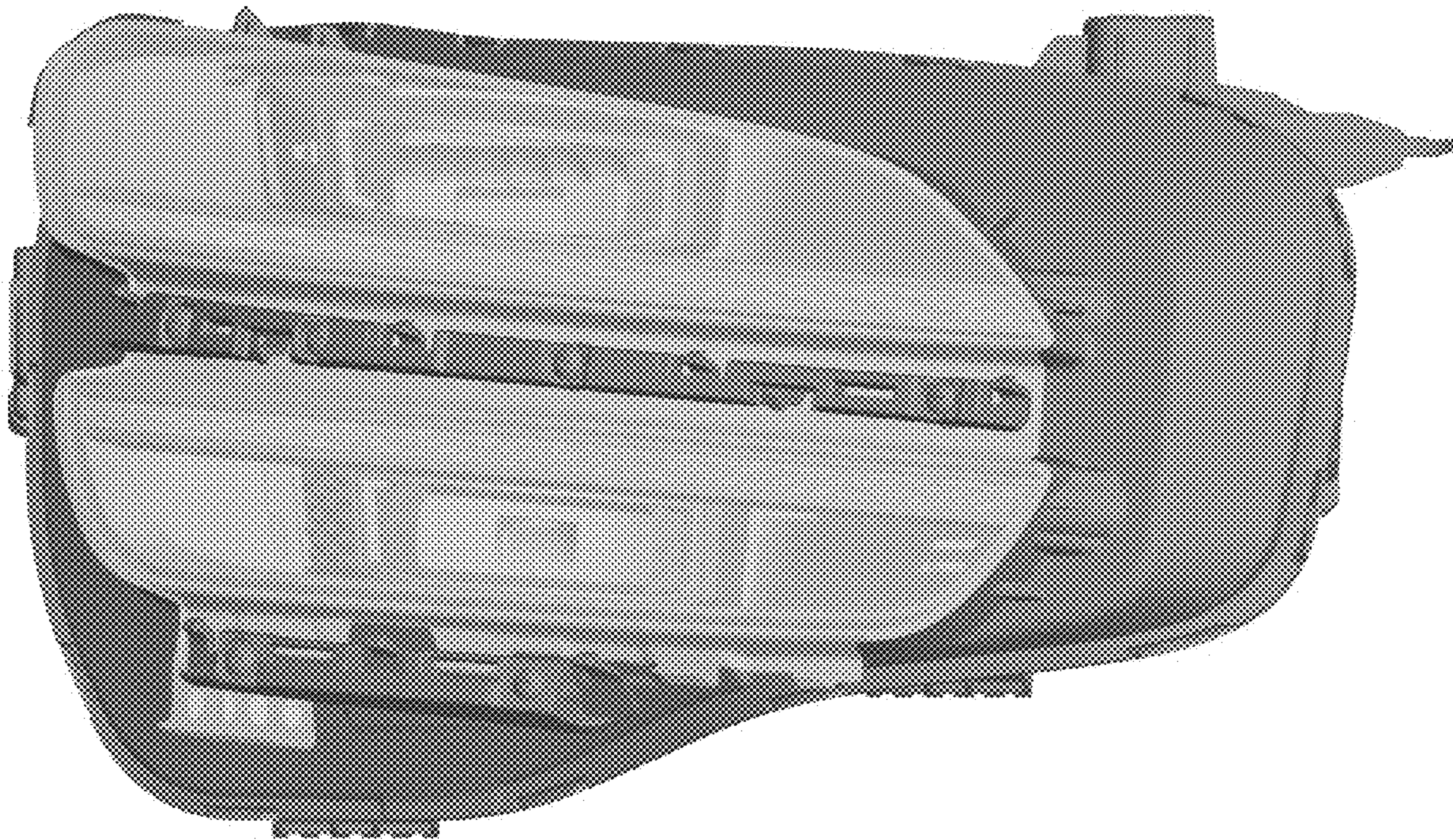
D930,199	S	*	9/2021	Chen	D26/28
D943,789	S	*	2/2022	Moon	D26/28
D948,760	S	*	4/2022	Jeong	D26/28
D948,761	S	*	4/2022	Jeong	D26/28
D950,788	S	*	5/2022	Zhao	D26/28
D950,792	S	*	5/2022	Davis	D26/28
D950,794	S	*	5/2022	Theis	D26/28
D950,810	S	*	5/2022	Chung	D26/28
D956,280	S	*	6/2022	Choi	D26/28
D956,287	S	*	6/2022	Zhao	D26/28
D958,418	S	*	7/2022	Choi	D26/28
D961,129	S	*	8/2022	Buller	D26/28
D961,822	S	*	8/2022	Jung	D26/28
D964,605	S	*	9/2022	Zhao	D26/28
D967,993	S	*	10/2022	Tovey	D26/28
D967,995	S	*	10/2022	Patel	D26/28
2019/0195462	A1	*	6/2019	Hong	F21S 43/10

* cited by examiner

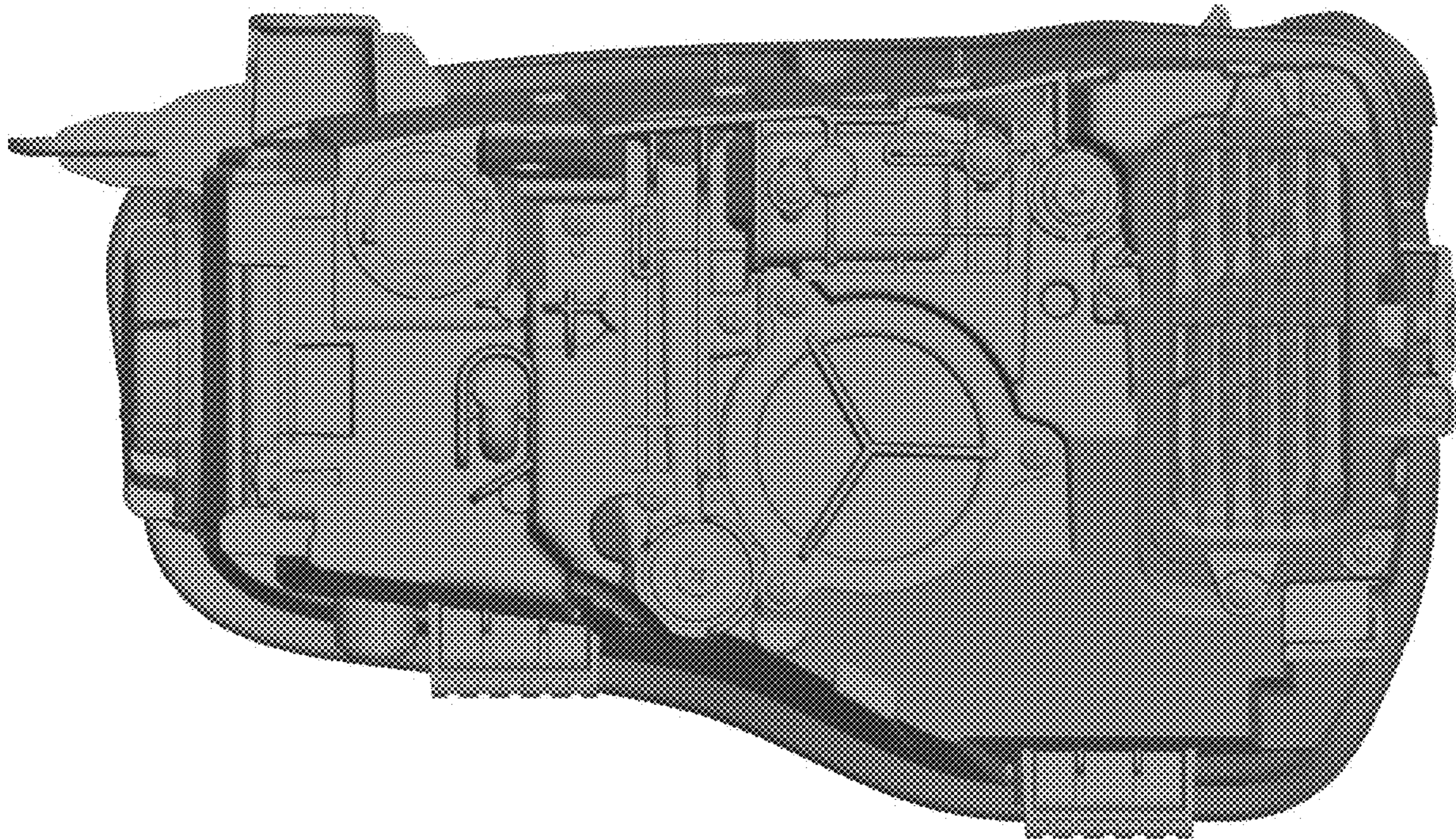
1.1



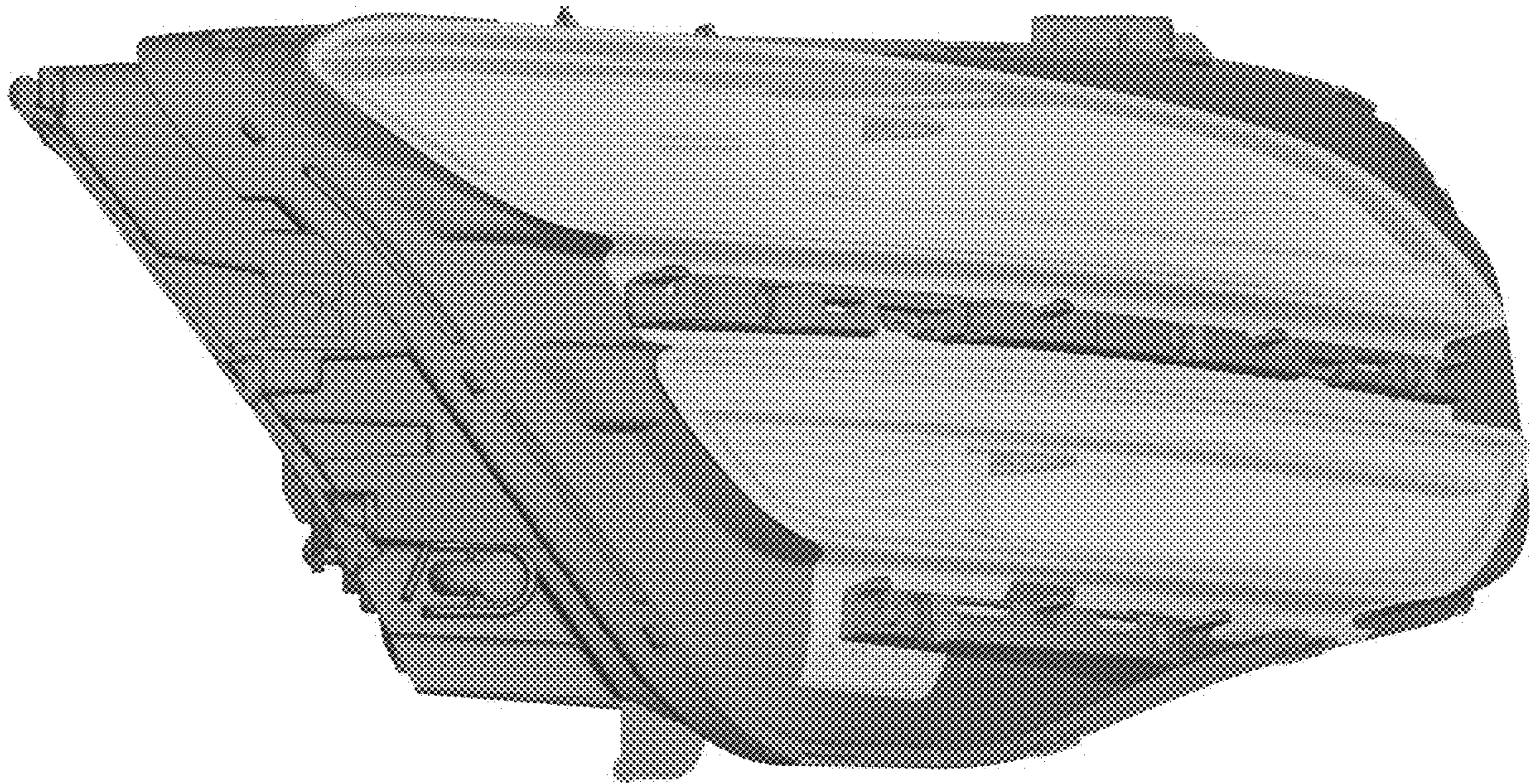
1.2



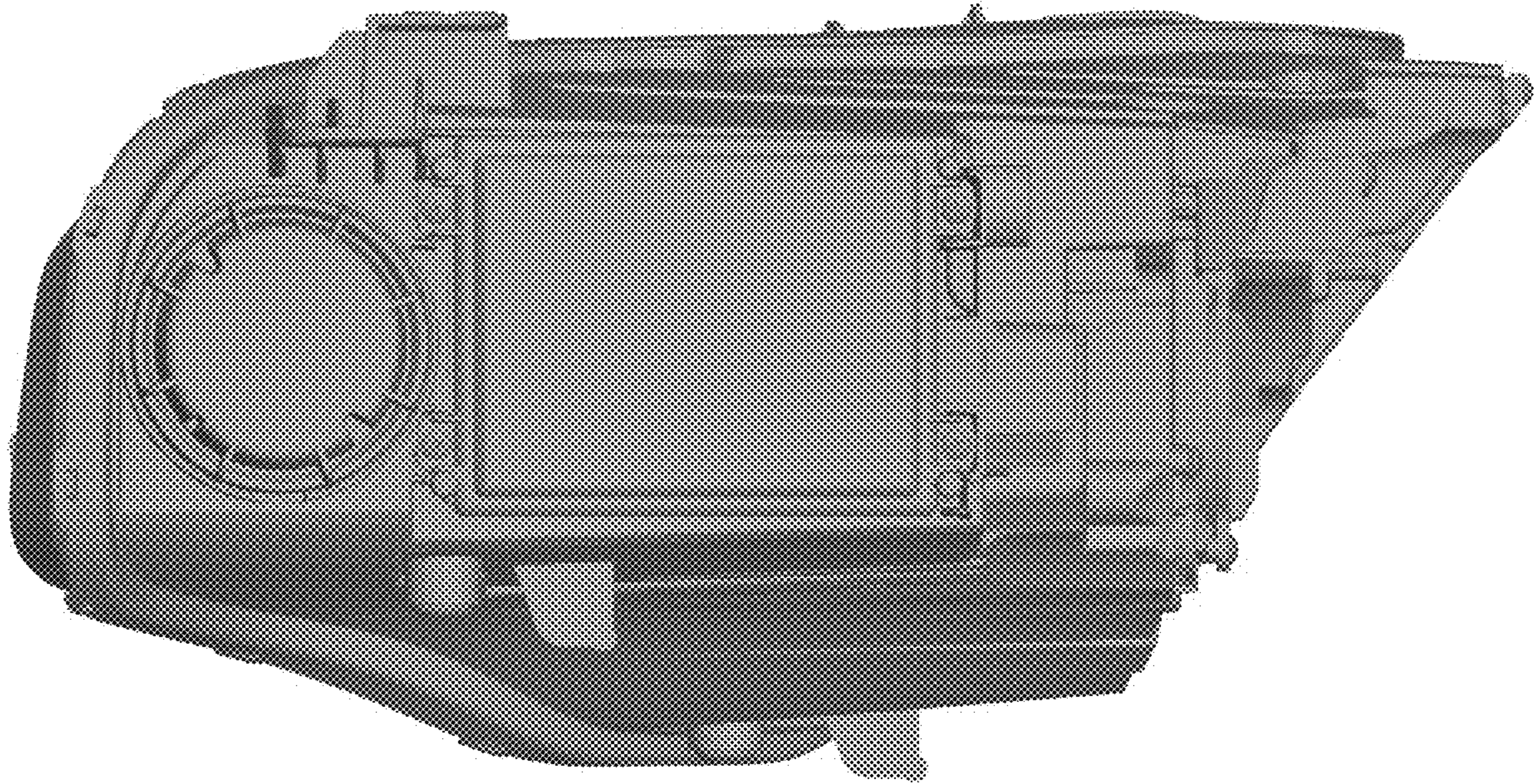
1.3



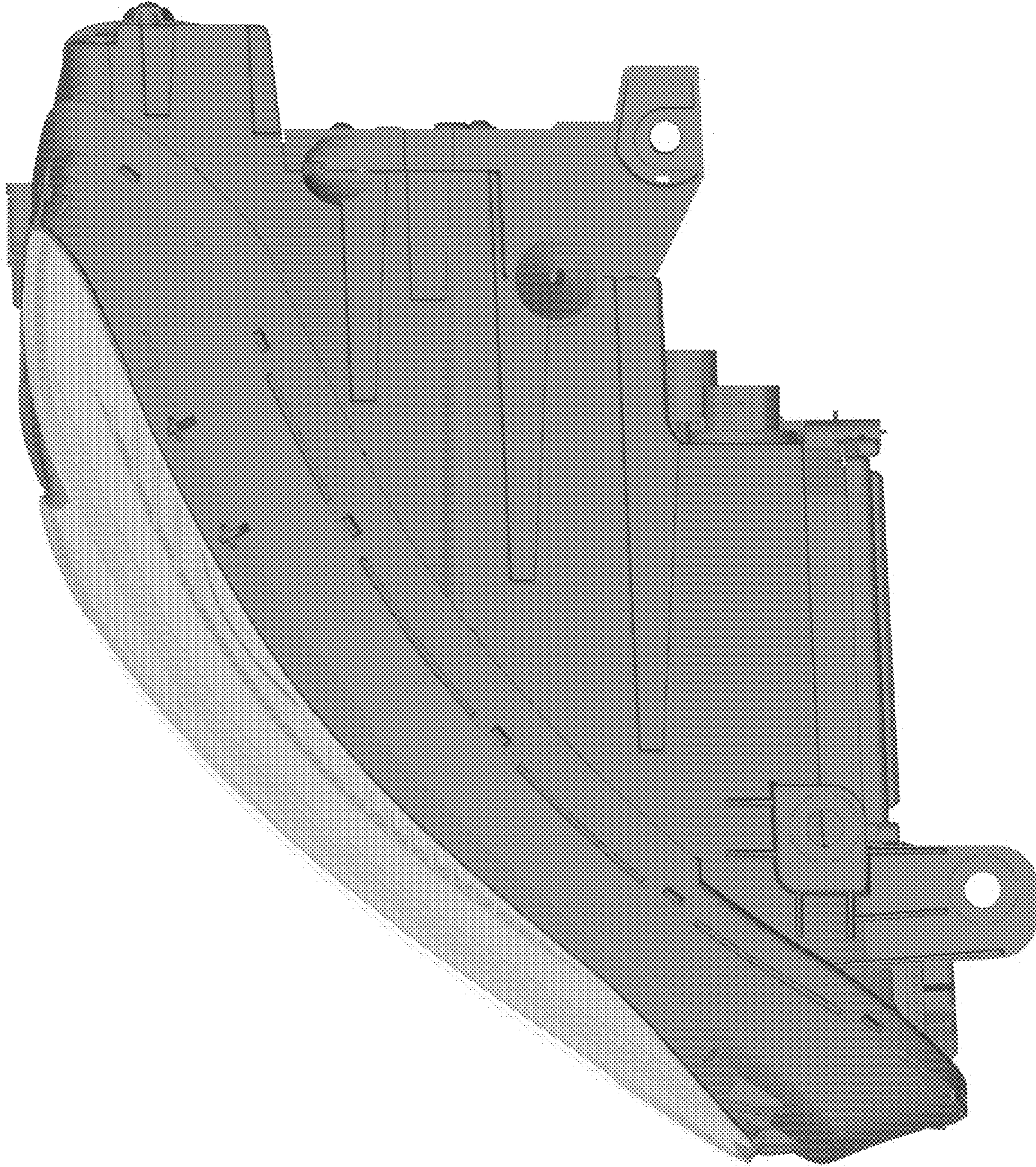
1.4



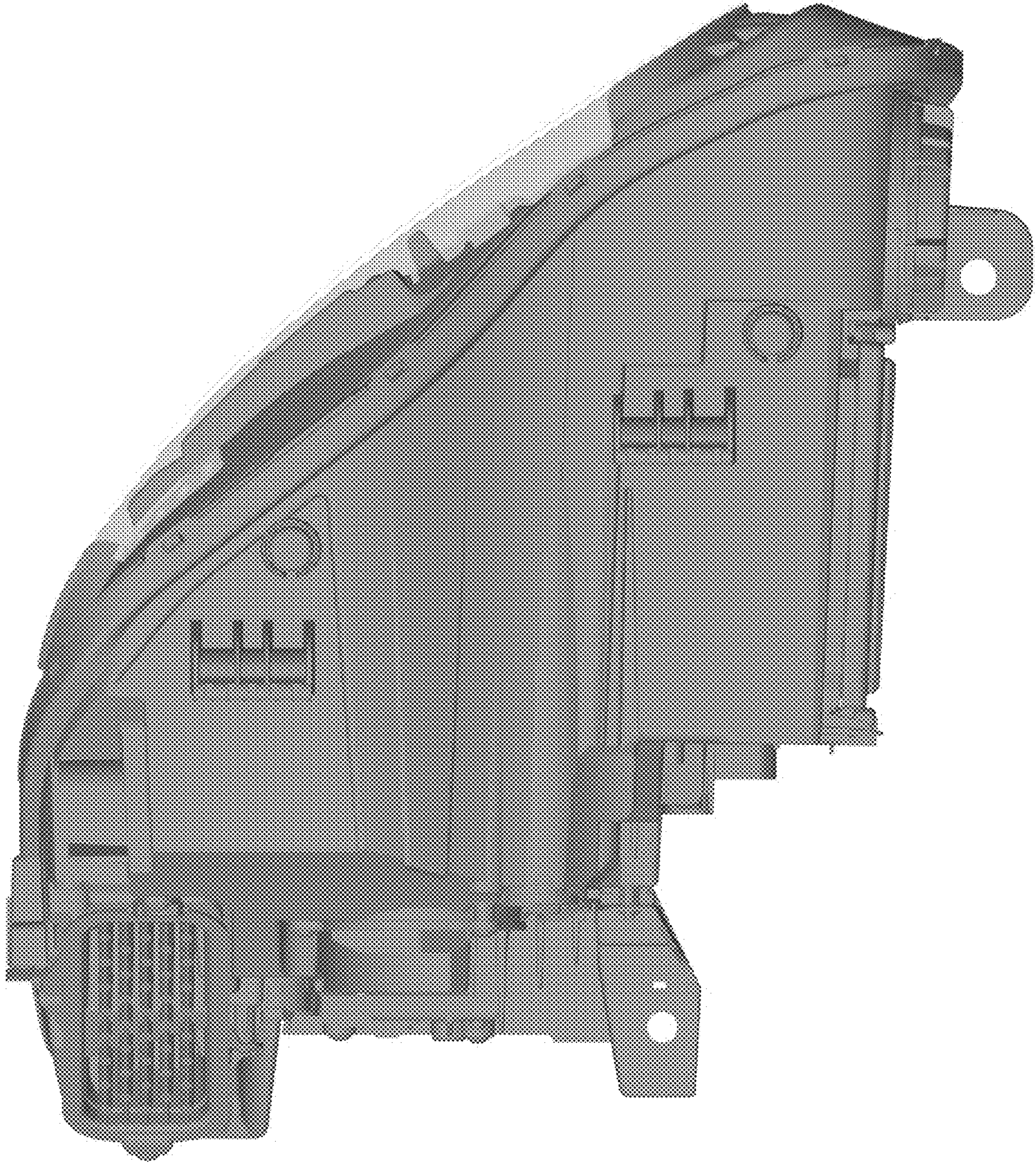
1.5



1.6



1.7



1.8

