



US00D985161S

(12) **United States Design Patent** (10) **Patent No.:** **US D985,161 S**  
**Miller** (45) **Date of Patent:** **\*\* May 2, 2023**

(54) **HEADLIGHT**

(71) Applicant: **Todd Miller**, Orem, UT (US)

(72) Inventor: **Todd Miller**, Orem, UT (US)

(\*\*) Term: **15 Years**

(21) Appl. No.: **29/762,656**

(22) Filed: **Dec. 17, 2020**

(51) **LOC (14) Cl.** ..... **26-06**

(52) **U.S. Cl.**  
USPC ..... **D26/28; D26/36**

(58) **Field of Classification Search**  
USPC ..... D26/1, 2, 28, 29, 32, 36; D10/111  
CPC ..... F21S 41/00; F21S 41/255  
See application file for complete search history.

(56) **References Cited**

**U.S. PATENT DOCUMENTS**

D760,407 S *	6/2016	Yang	.....	D26/28
D788,334 S *	5/2017	Jacq	.....	D26/28
D793,593 S *	8/2017	Chen	.....	D26/28
D835,818 S *	12/2018	Acosta, III	.....	D26/28
D836,809 S *	12/2018	Chi	.....	D26/28
D841,197 S *	2/2019	Su	.....	D26/28
D848,650 S *	5/2019	Peng	.....	D26/28
D884,230 S *	5/2020	Acosta	.....	D26/36
D922,621 S *	6/2021	Hu	.....	D26/28

**OTHER PUBLICATIONS**

Sideroadcycles | Iron Cross Headlight . . . , posted on Jun. 15, 2010,  
© American Side Road Cycles SmartCart(TM) eCommerce System

[online], [site visited Feb. 6, 2023]. Available from Internet, <URL: [http://www.sideroadcycles.com/AmericanMotorcycles/Russ\\_Wernimont/Iron\\_Light\\_Headlight.html](http://www.sideroadcycles.com/AmericanMotorcycles/Russ_Wernimont/Iron_Light_Headlight.html)> (Year: 2010).\*  
Amazon | Adjure T40X00 4½" Diamond Cut Iron Cross Ice Motorcycle Headlight, posted on Jan. 14, 2012, © 1996-2023, Amazon.com, Inc. [online], [site visited Feb. 6, 2023]. Available from Internet, <URL:<https://www.amazon.com/Adjure-T40X00-Diamond-Motorcycle-Headlight/dp/B006XG6EAU>> (Year: 2012).\*  
Online Survey Announcement on Facebook and Screenshot of Survey, published Oct. 7, 2019.

\* cited by examiner

*Primary Examiner* — Cary M Robinson  
*Assistant Examiner* — Julie Marie Bailey  
(74) *Attorney, Agent, or Firm* — Workman Nydegger

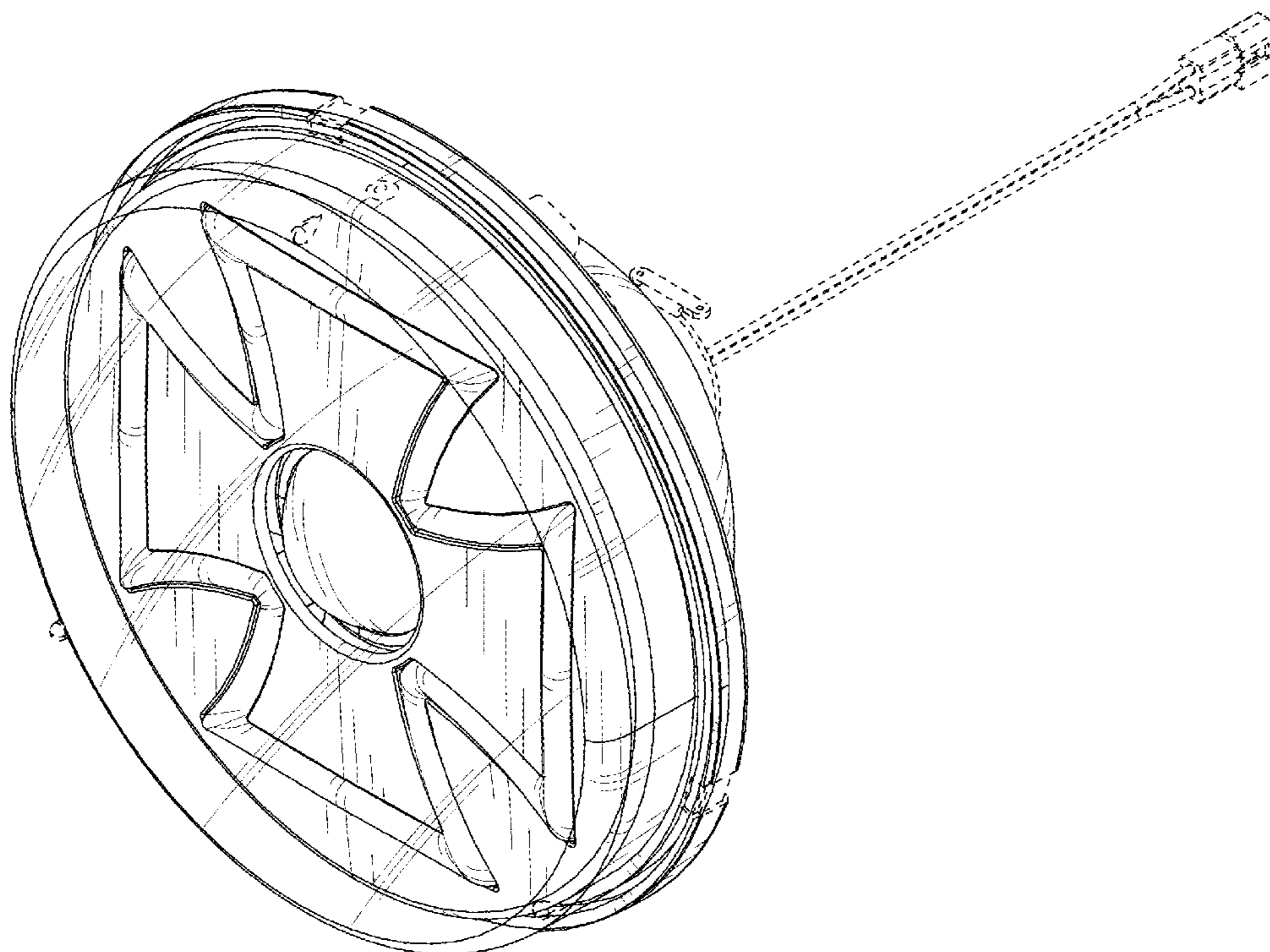
(57) **CLAIM**

The ornamental design for a headlight, as shown and described.

**DESCRIPTION**

FIG. 1 is a front perspective view of a headlight showing the new design;  
FIG. 2 is a front elevation view thereof;  
FIG. 3 is a back elevation view thereof;  
FIG. 4 is a top plan view thereof;  
FIG. 5 is a bottom plan view thereof;  
FIG. 6 is a right elevation view thereof; and,  
FIG. 7 is a left elevation view thereof.  
The broken lines in the drawings are for the purpose of illustrating portions of the article that form no part of the claimed design.

**1 Claim, 7 Drawing Sheets**



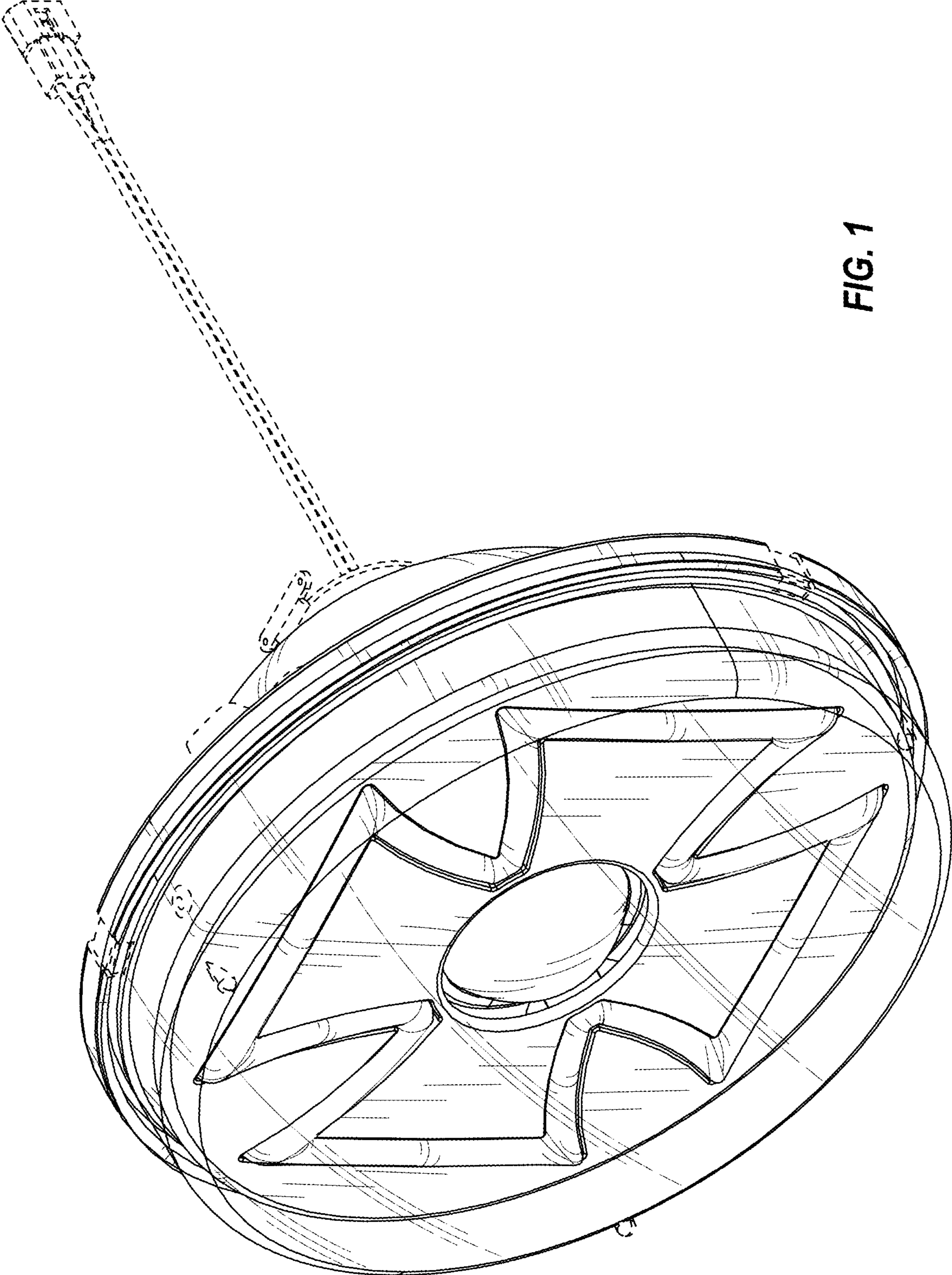
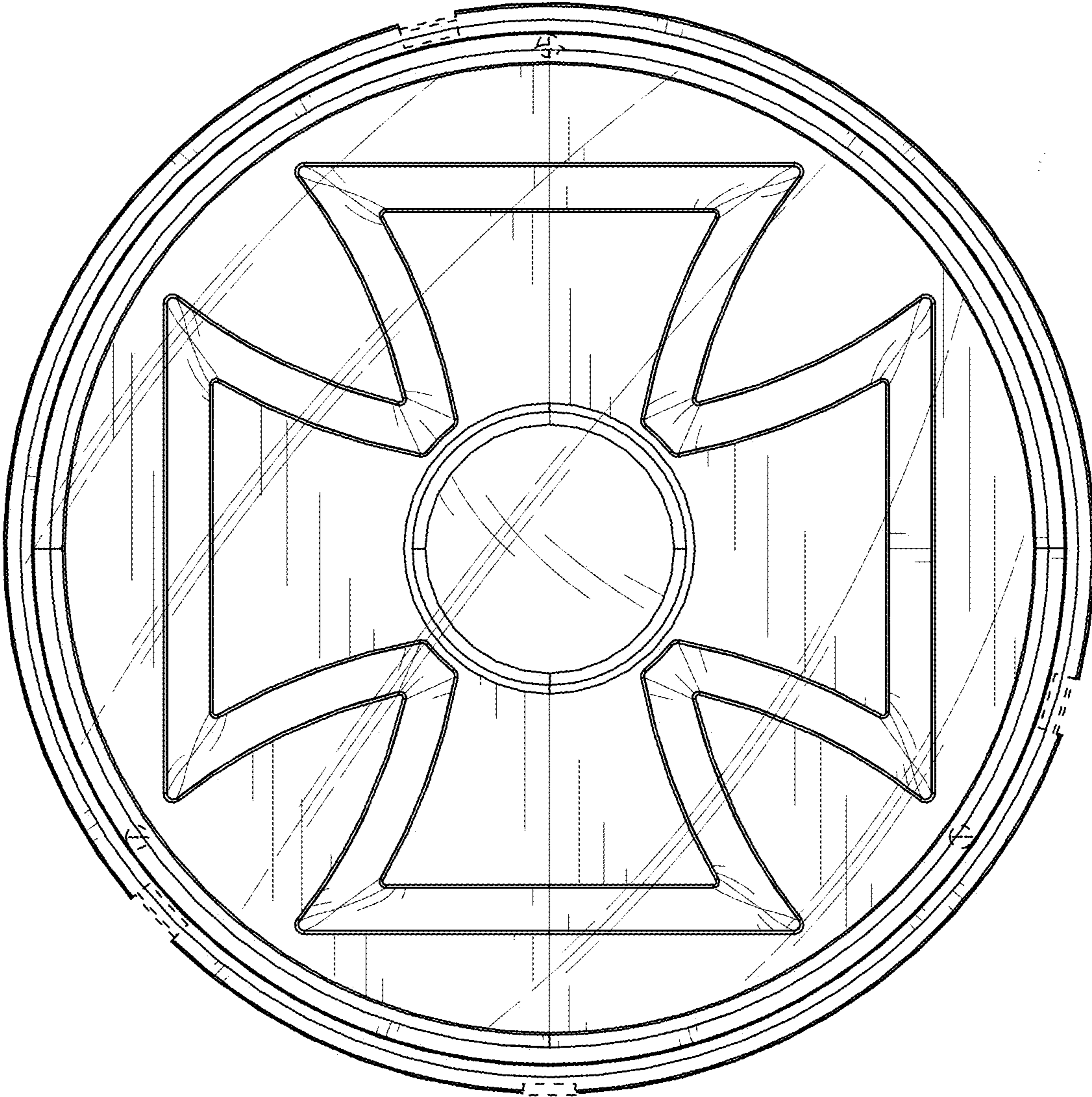


FIG. 1



**FIG. 2**

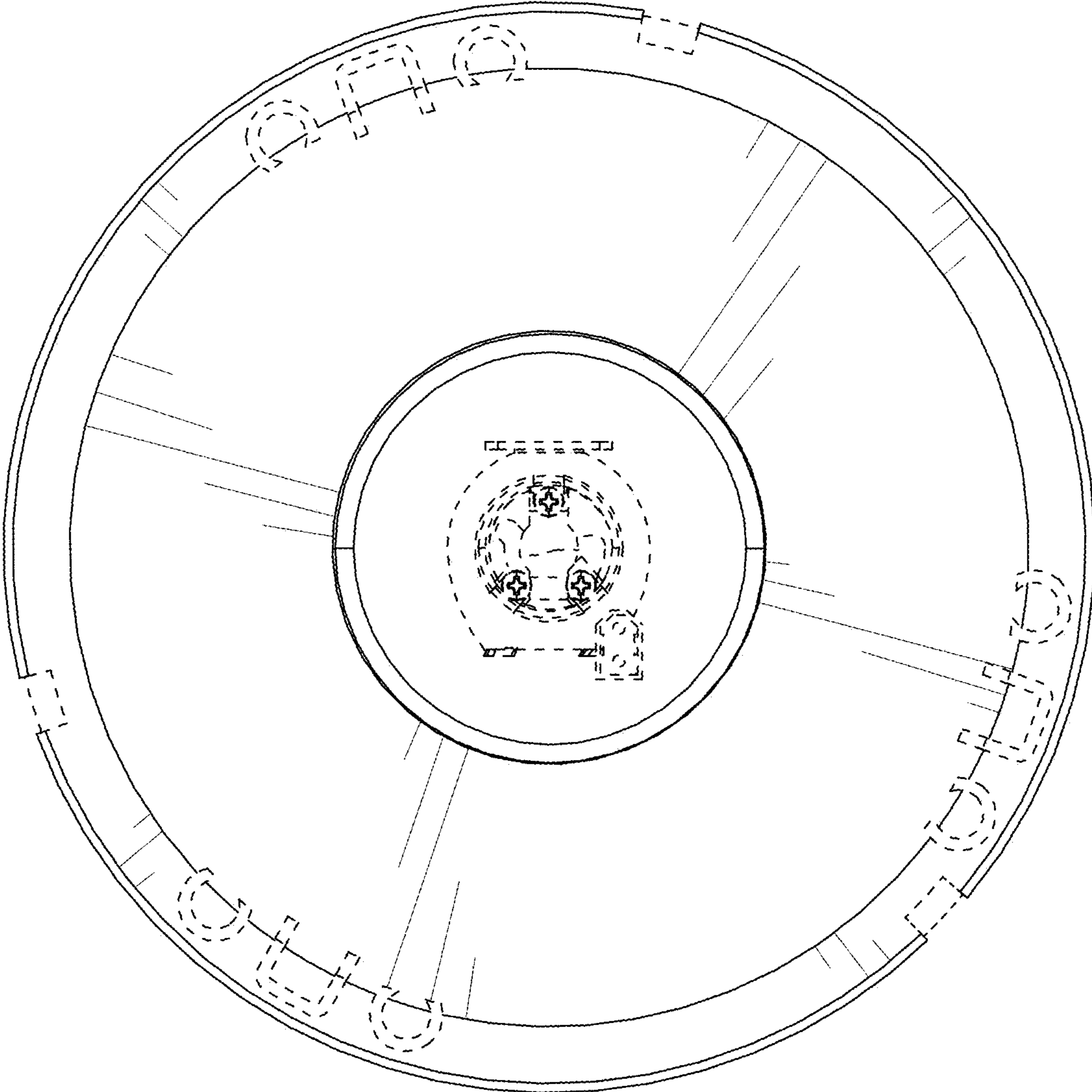


FIG. 3

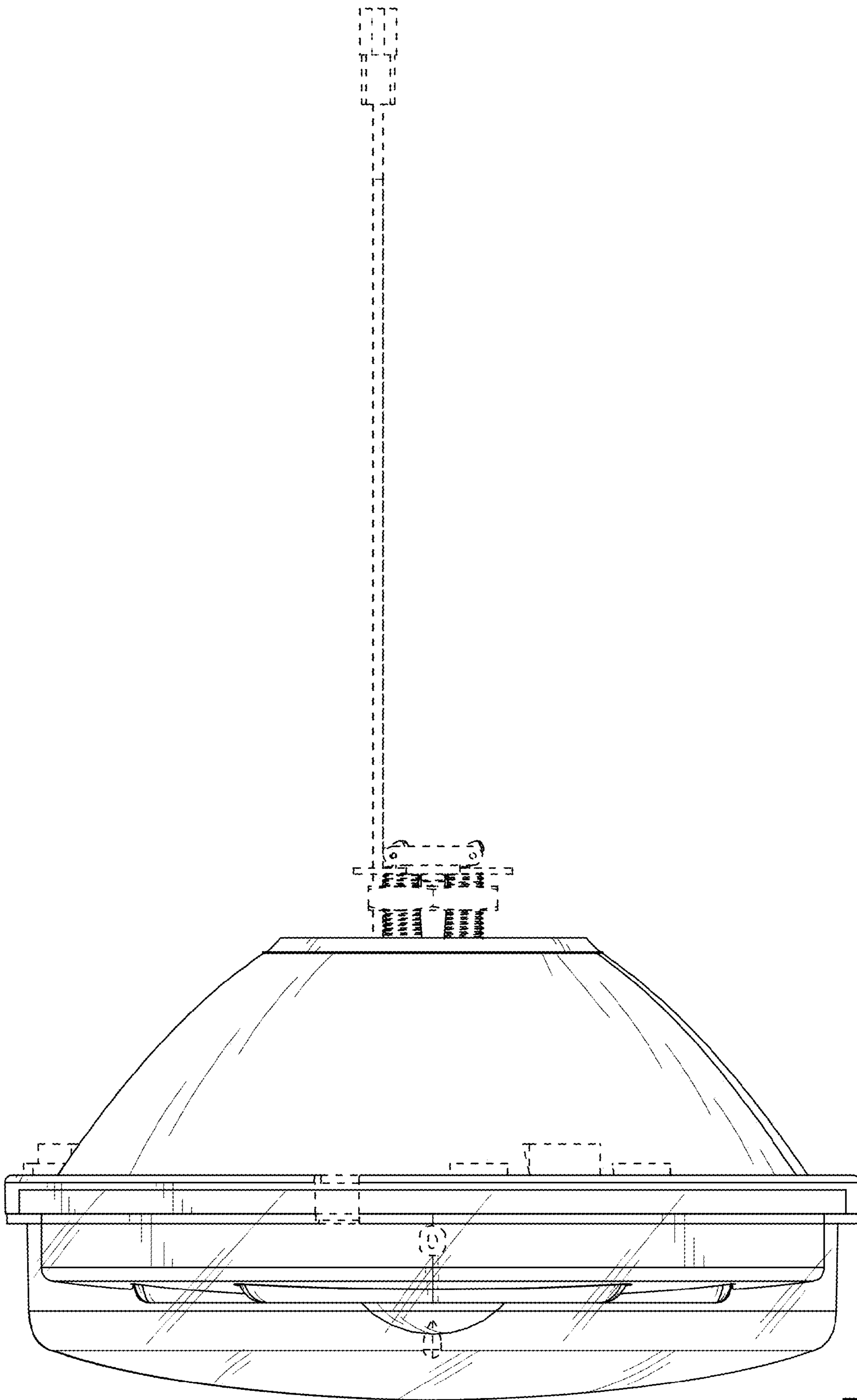


FIG. 4

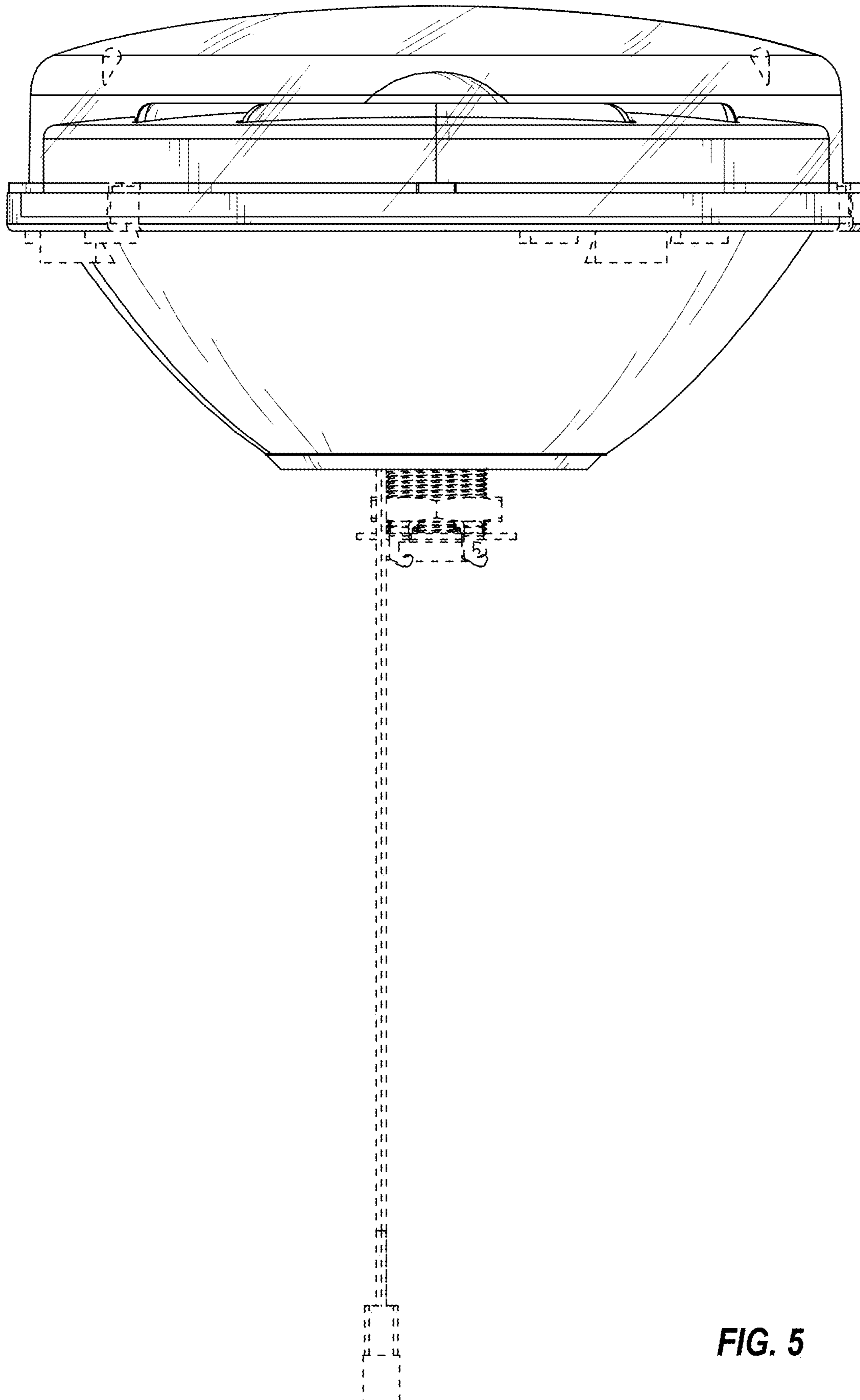


FIG. 5

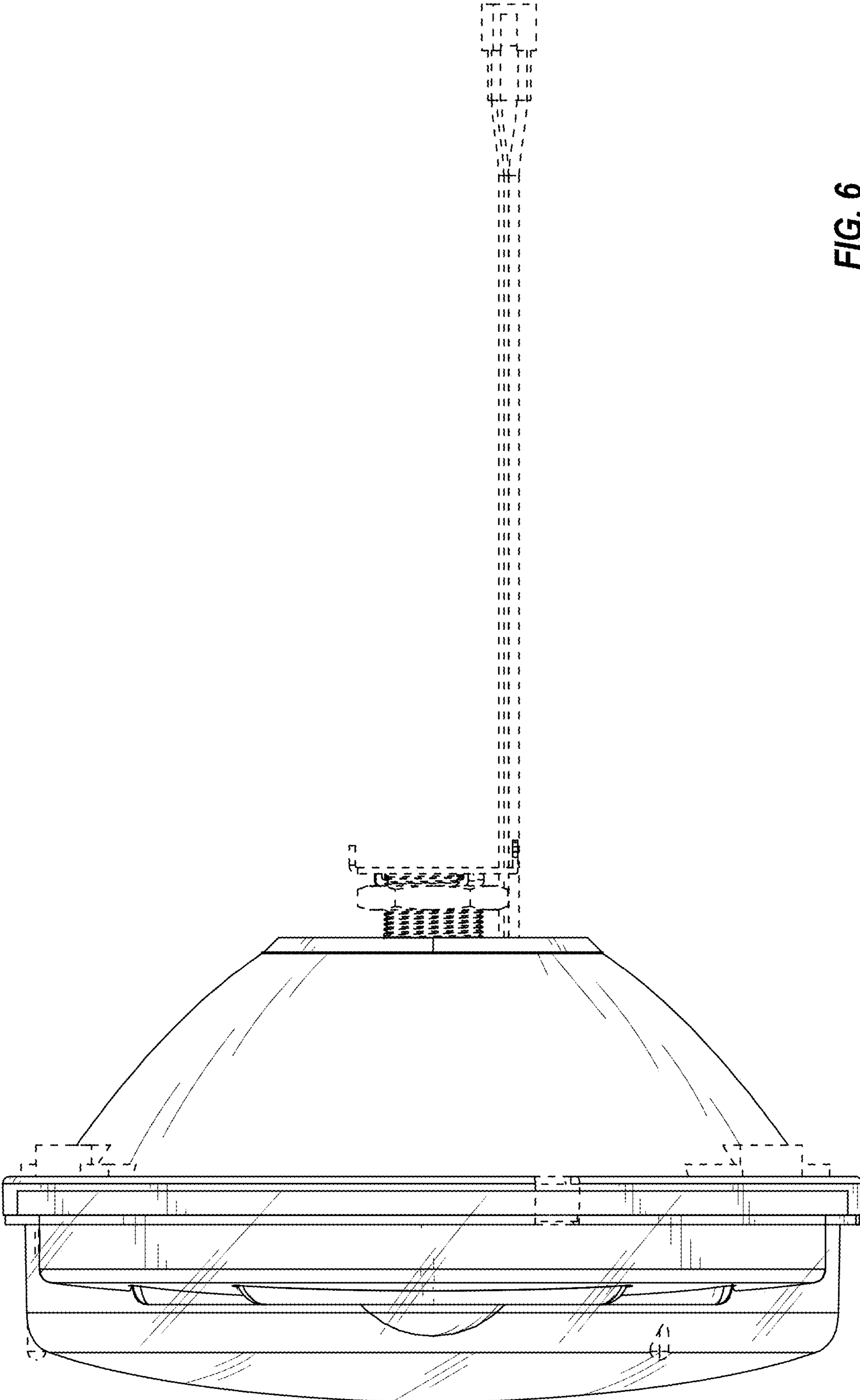


FIG. 6

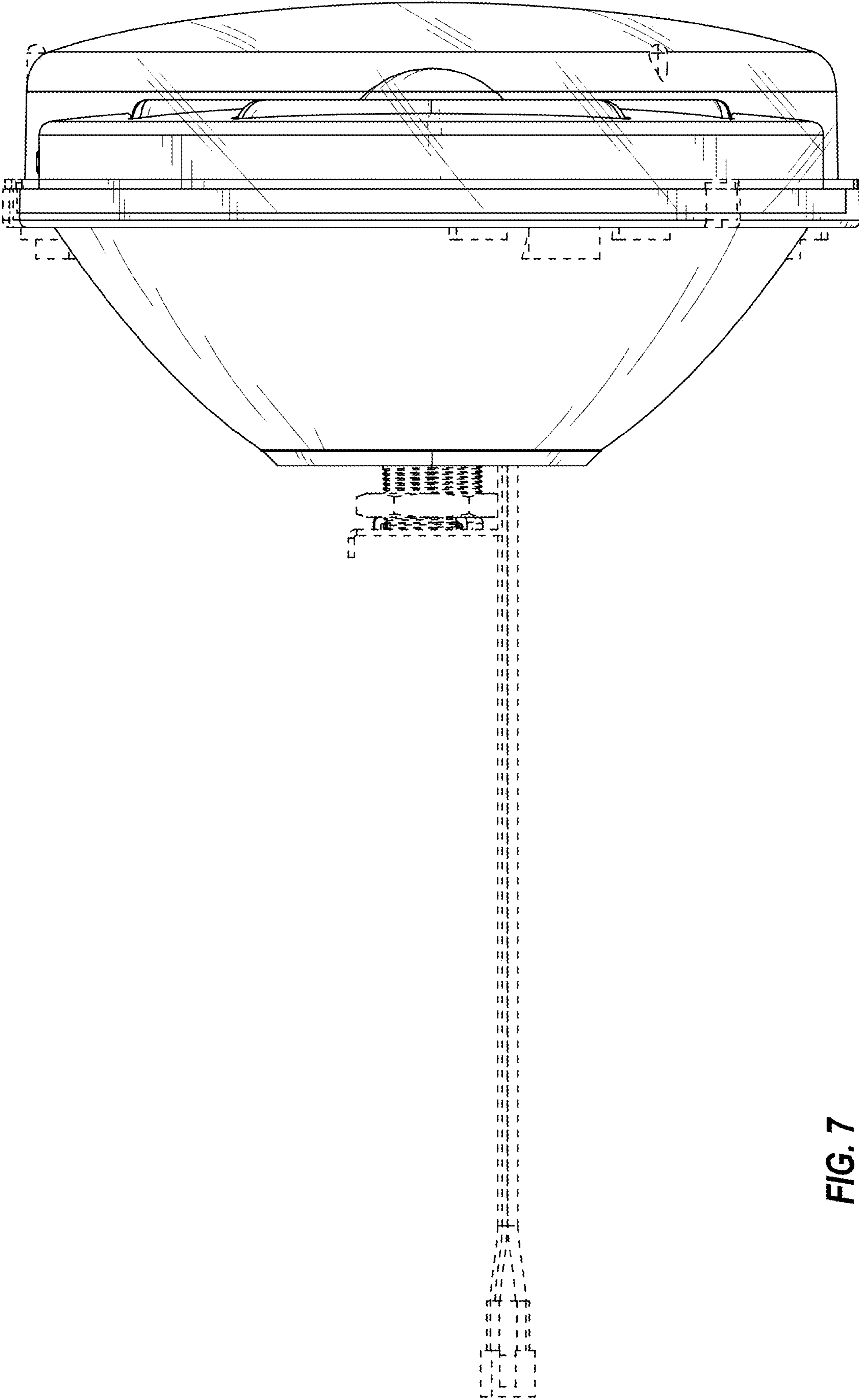


FIG. 7