



US00D985157S

(12) **United States Design Patent** (10) **Patent No.:** **US D985,157 S**
Gan (45) **Date of Patent:** **** May 2, 2023**

(54) **LIGHT STRING**

(71) Applicant: **Caicai Gan**, Honghu (CN)
(72) Inventor: **Caicai Gan**, Honghu (CN)
(**) Term: **15 Years**

(21) Appl. No.: **29/791,049**

(22) Filed: **Dec. 28, 2021**

(51) **LOC (14) Cl.** **26-04**

(52) **U.S. Cl.**
USPC **D26/25**

(58) **Field of Classification Search**
USPC D26/1, 2, 4, 24, 25, 27, 57, 61, 67, 73,
D26/94, 98, 103, 110, 119, 128
CPC F21S 4/00; F21S 4/10; F21S 4/15; F21S
4/20; F21S 4/22; F21S 4/24; F21S 4/26;
F21W 2121/00; F21W 2121/04; F21W
2131/109

See application file for complete search history.

(56) **References Cited**

U.S. PATENT DOCUMENTS

D480,486 S	*	10/2003	Kakuno	D26/2
D653,364 S	*	1/2012	Howard	D26/2
D778,468 S		2/2017	van der Lande		
D816,874 S	*	5/2018	Lentz	D26/25
D869,012 S	*	12/2019	Zhu	D26/25
D869,013 S	*	12/2019	Zhu	D26/25
D889,696 S		7/2020	Cao		
D916,333 S	*	4/2021	Liang	D26/25
D919,127 S	*	5/2021	Zhou	D26/4
D919,132 S		5/2021	Du		
D940,919 S	*	1/2022	Jin	D26/4
D940,920 S	*	1/2022	Jin	D26/4
D950,112 S	*	4/2022	Zheng	D26/25
D951,495 S	*	5/2022	He	D26/25

(Continued)

FOREIGN PATENT DOCUMENTS

CN	307341288	*	5/2022
EM	008814305-0001	*	1/2022
EM	008814305-0002	*	1/2022

OTHER PUBLICATIONS

“RGB” reference by Flacchi on Amazon.com, date first available Mar. 22, 2022 [online], site visited Oct. 26, 2022, available from internet URL: <https://www.amazon.com/dp/B09Q2QLWJZ> (Year: 2022).*

(Continued)

Primary Examiner — Richard Kearney
Assistant Examiner — Liv C Anderson
(74) *Attorney, Agent, or Firm* — Runit Ranjit Kanakia

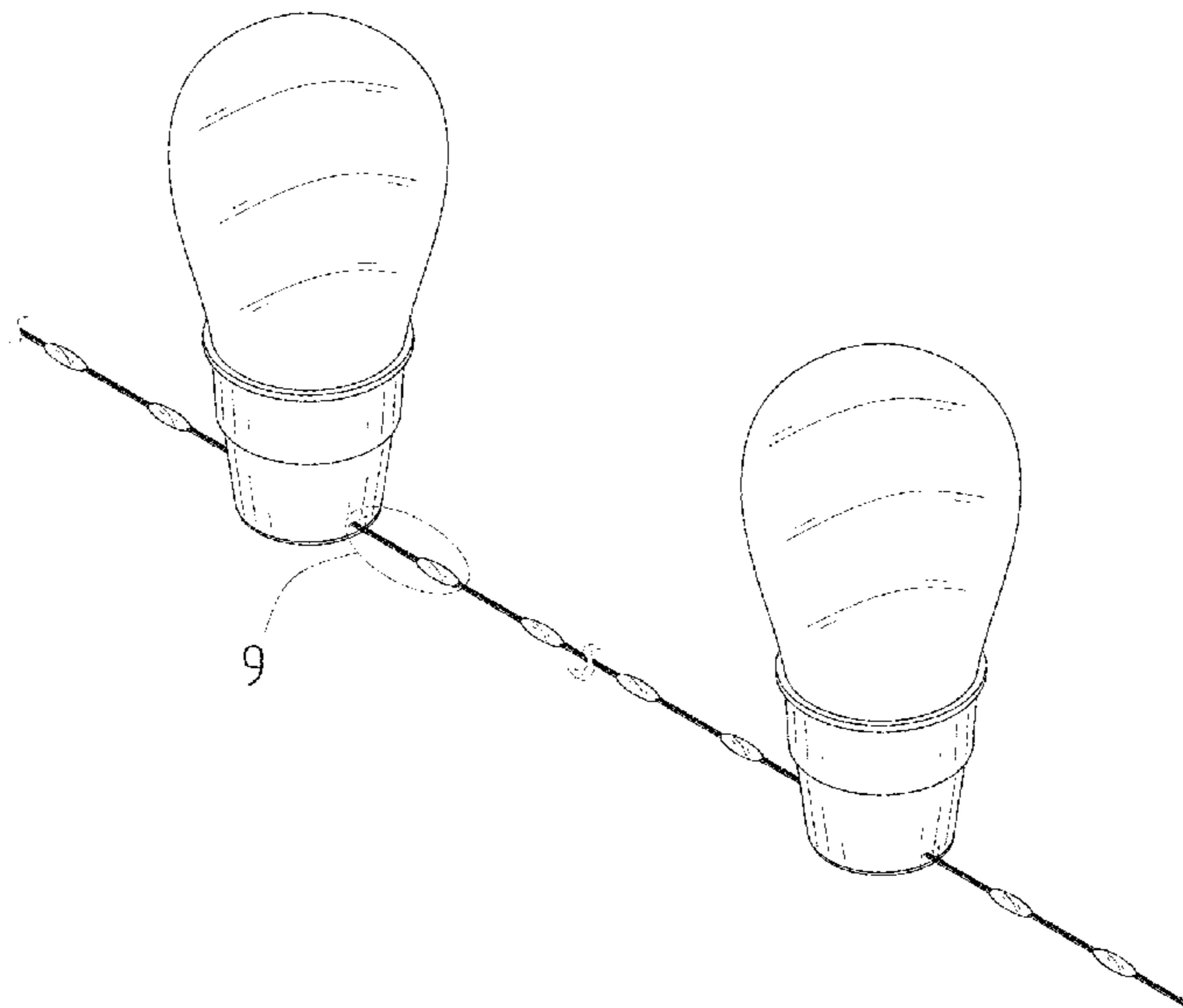
(57) **CLAIM**

The ornamental design for a light string, as shown and described.

DESCRIPTION

FIG. 1 is a first perspective view of a light string showing my new design;
FIG. 2 is a second perspective view thereof;
FIG. 3 is a front view thereof;
FIG. 4 is a back view thereof;
FIG. 5 is a left side view thereof;
FIG. 6 is a right side view thereof;
FIG. 7 is a top view thereof;
FIG. 8 is a bottom view thereof; and,
FIG. 9 is an enlarged view of area 9 in FIG. 1.
The broken lines shown in the drawings depict portions of the light string in which the design is embodied that form no part of the claimed design. The dash-dot-dash broken lines encircling the enlarged views in FIGS. 1 and 9 are for annotative purposes only and form no part of the claim. The light string is shown with a symbolic break in its length. The appearance of any portion of the article between the break lines forms no part of the claimed design.

1 Claim, 9 Drawing Sheets



(56)

References Cited

U.S. PATENT DOCUMENTS

D952,198 S * 5/2022 Qu D26/25
D953,585 S * 5/2022 Lin D26/25
2008/0191633 A1* 8/2008 Lai H05B 45/20
315/185 S
2018/0340676 A1* 11/2018 Tsai F21S 4/10
2019/0341718 A1* 11/2019 Yu F21V 21/096

OTHER PUBLICATIONS

“Outdoor” Reference by Probro Smart Lighting on Amazon.com, date first available Feb. 28, 2022 [online], site visited Oct. 26, 2022, available from internet URL: <https://www.amazon.com/Outdoor-String-Lights-Custom-Modes/dp/B0B8RCHP9P> (Year: 2022).*

“Govee” reference by Govee US on Amazon.com, date first available Sep. 22, 2020 [online], site visited Oct. 26, 2022, available from internet URL: <https://www.amazon.com/dp/B088K4QSRV> (Year: 2020).*

“50Ft” reference by Flacchi on Amazon.com, date first available May 31, 2022 [online], site visited Oct. 26, 2022, available from internet URL: <https://www.amazon.com/Bluetooth-Changing-Dimmable-Backyard-Holidays/dp/B0B2QS3Z33> (Year: 2022).*

* cited by examiner

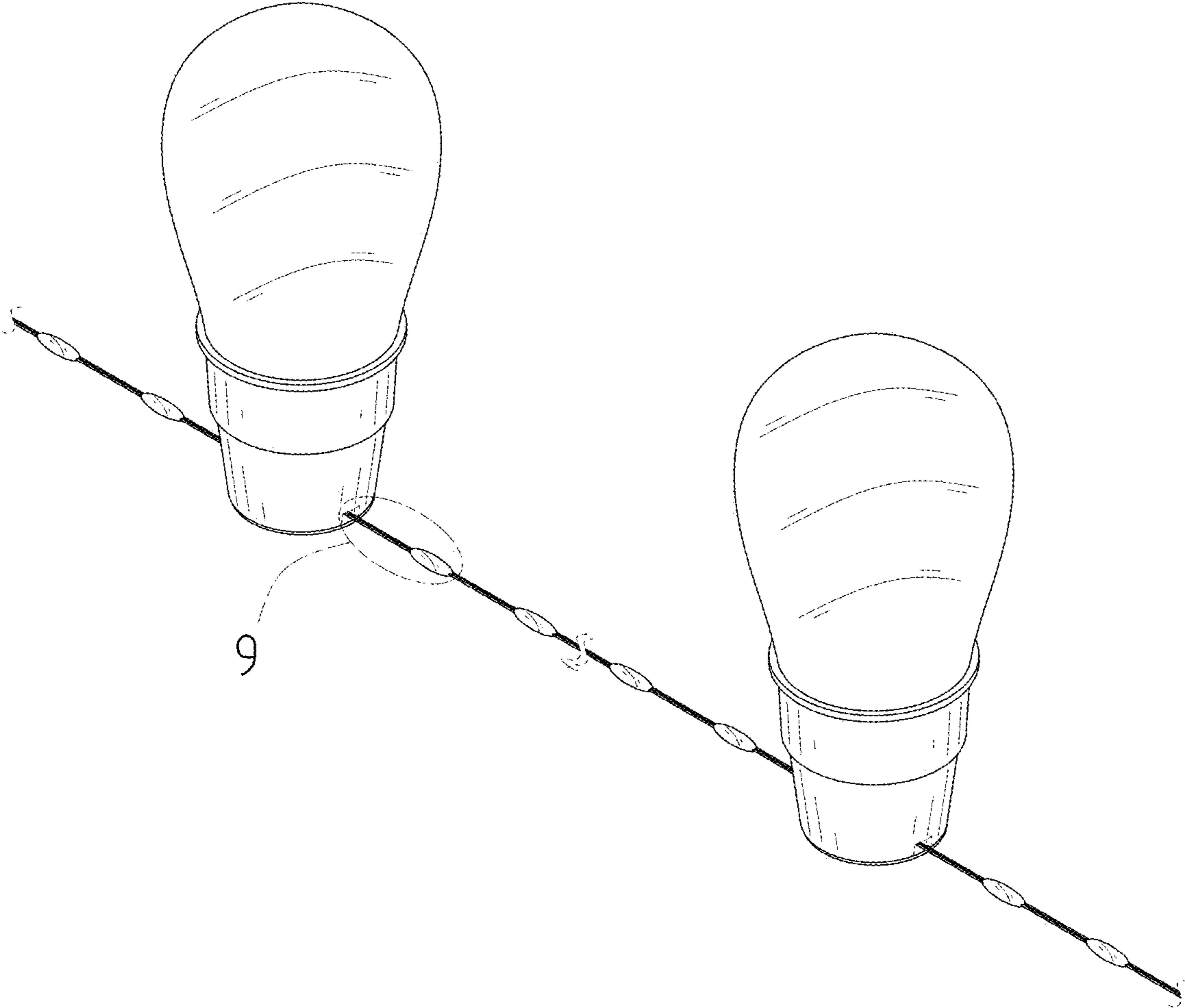


FIG. 1

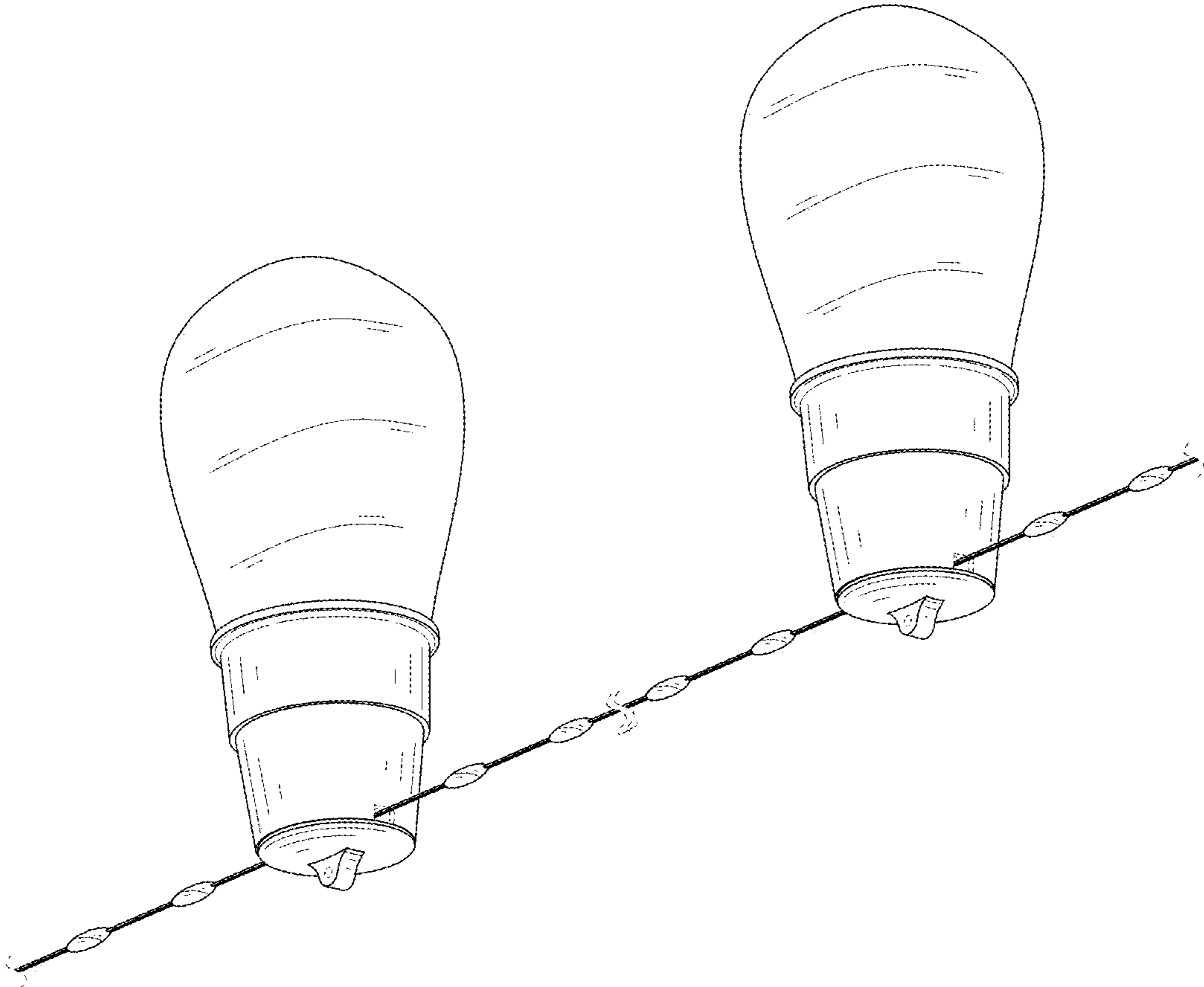


FIG. 2

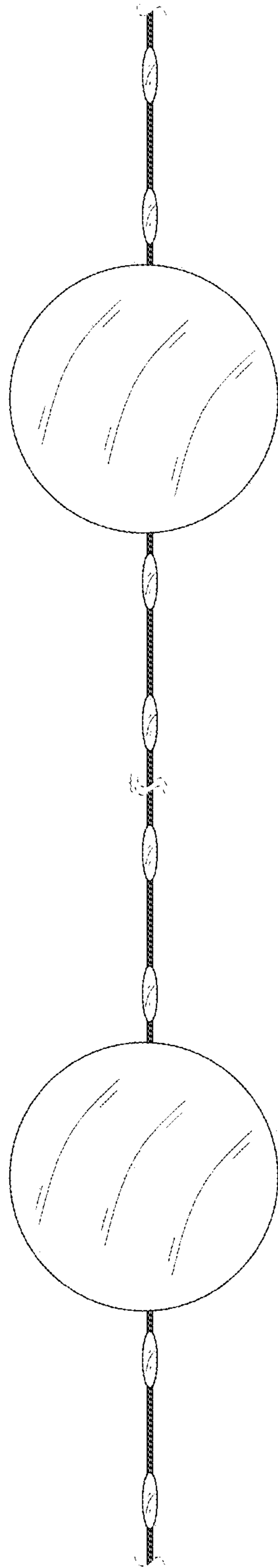


FIG. 3

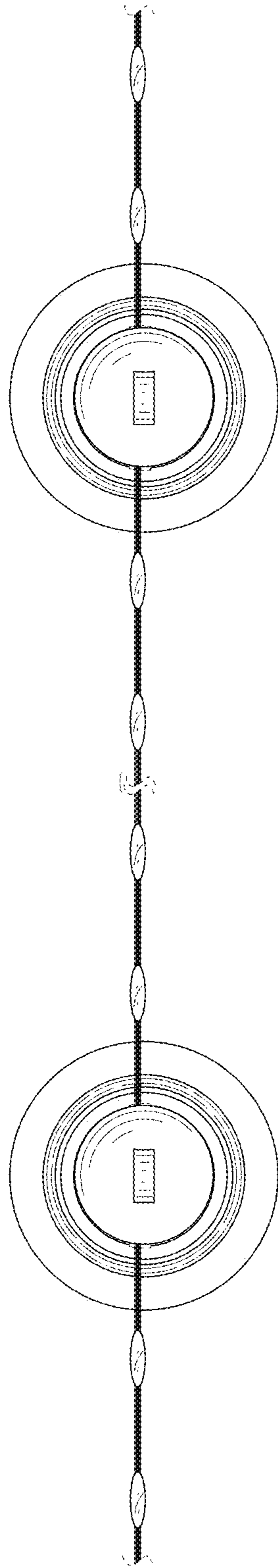


FIG. 4

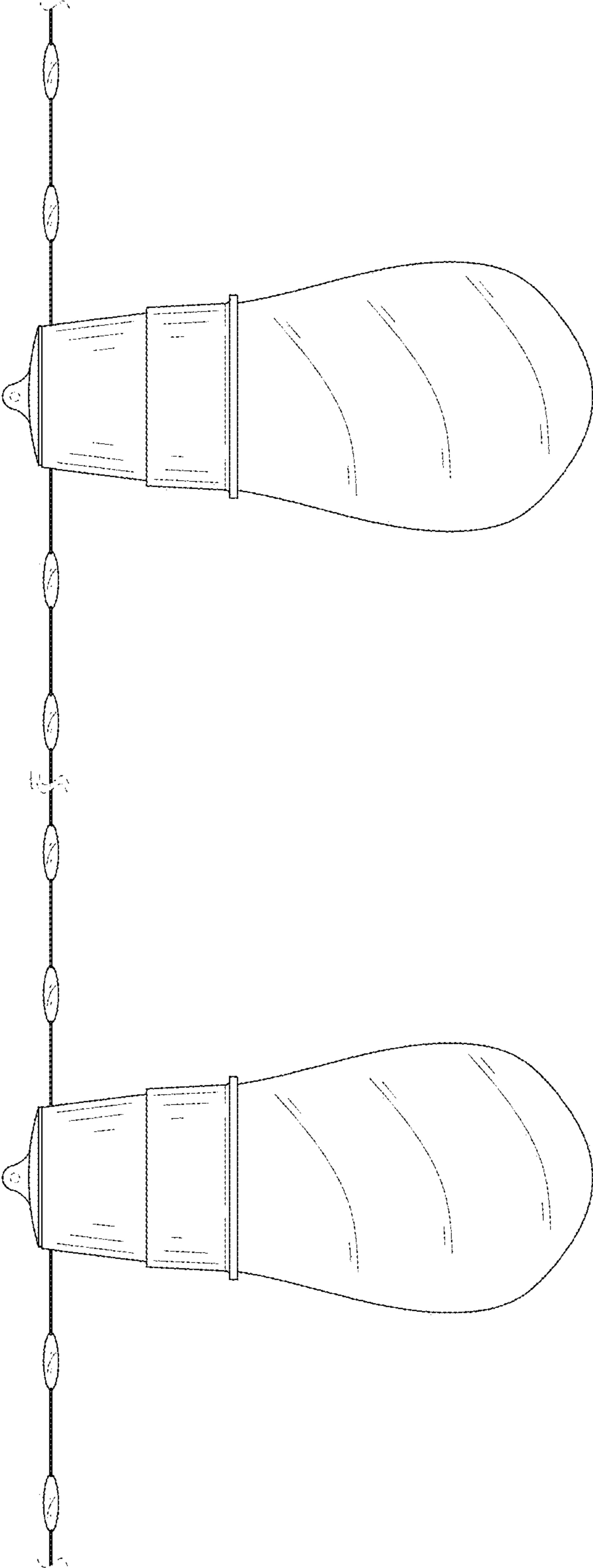


FIG. 5

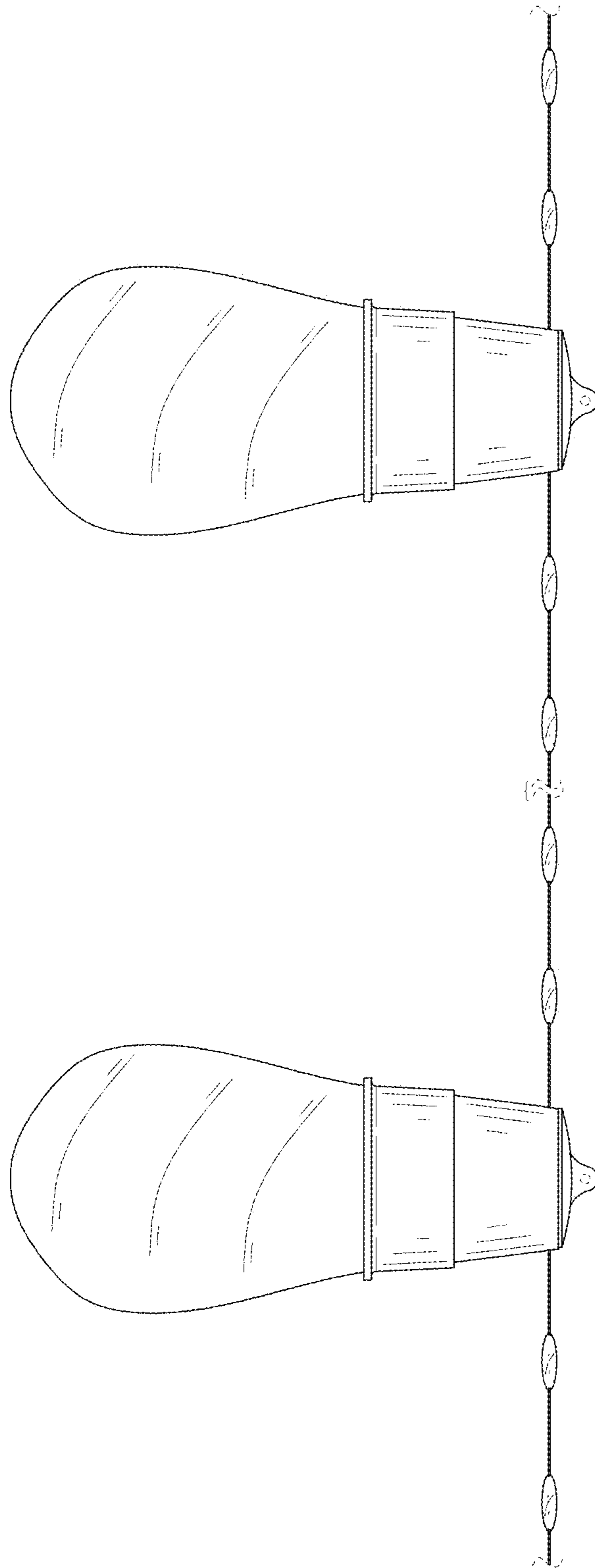


FIG. 6

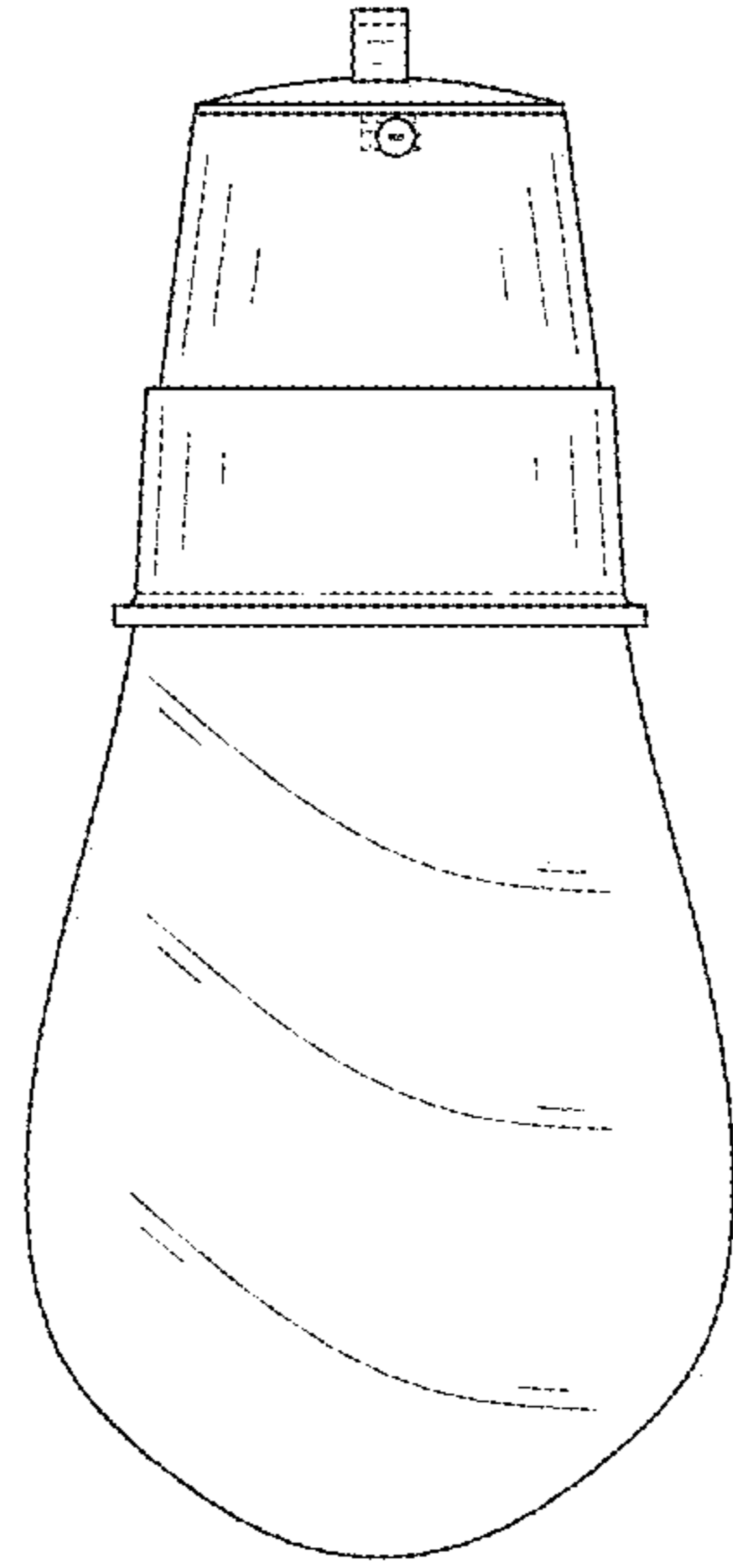


FIG. 7

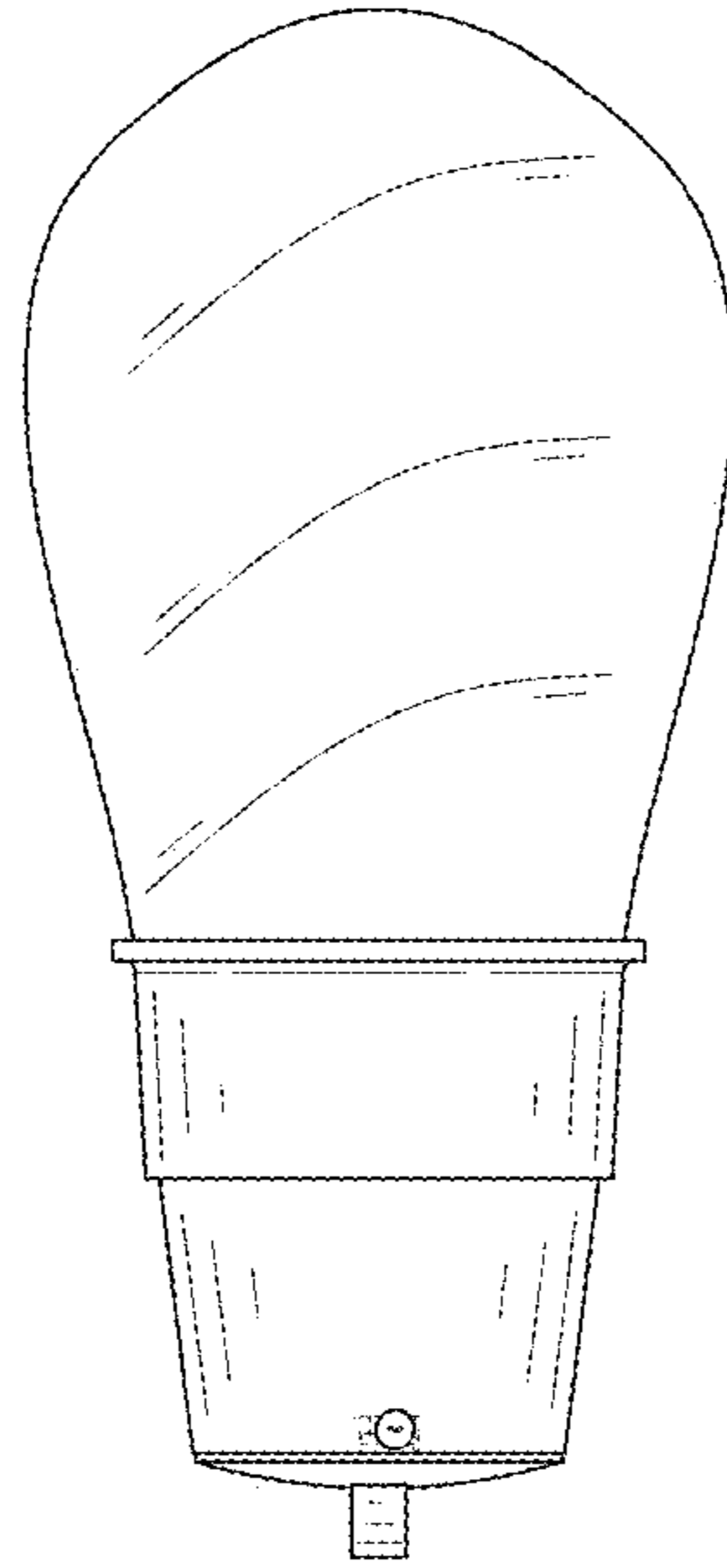


FIG. 8

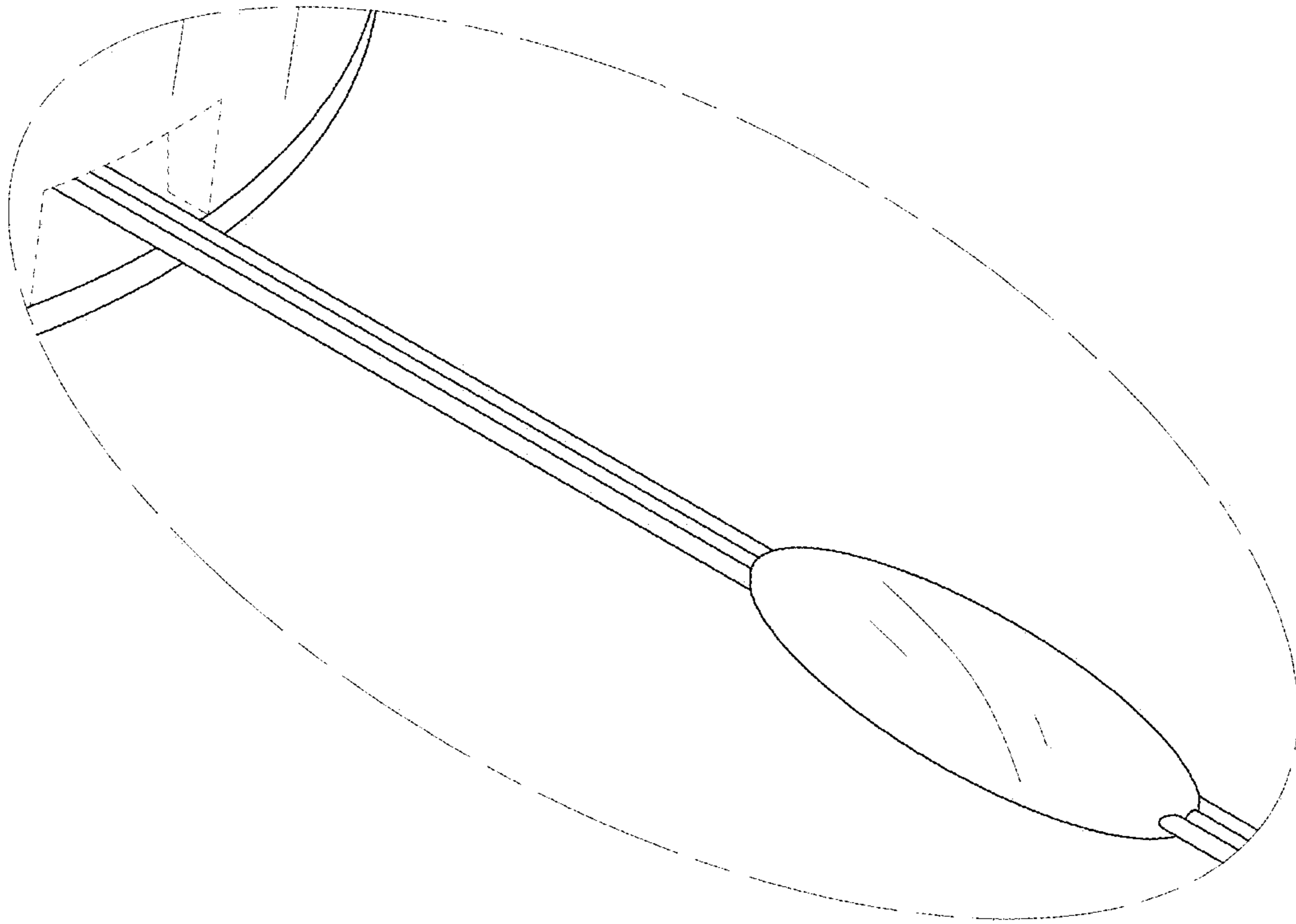


FIG. 9