



US00D985154S

(12) **United States Design Patent** (10) **Patent No.:** **US D985,154 S**  
**Li et al.** (45) **Date of Patent:** **\*\* May 2, 2023**

(54) **LED BULB LIGHT**  
(71) Applicant: **Shenzhen Homi Lighting Co., Ltd.**,  
Guangdong (CN)  
(72) Inventors: **Hong Li**, Guangdong (CN); **Peizhu Xie**,  
Guangdong (CN); **Shengcheng Zhang**, Guangdong (CN); **Weiwei Zhao**,  
Guangdong (CN)

D916,333 S \* 4/2021 Liang ..... D26/25  
D917,737 S \* 4/2021 Zheng ..... D26/2  
D917,740 S \* 4/2021 Lan ..... D26/25  
D918,440 S \* 5/2021 Li ..... D26/25  
D966,573 S \* 10/2022 Hu ..... D26/25  
2017/0343169 A1\* 11/2017 Yu ..... F21S 4/10

**FOREIGN PATENT DOCUMENTS**

CN 305862371 \* 6/2020  
CN 306673067 \* 7/2021

(\*\*) Term: **15 Years**

**OTHER PUBLICATIONS**

(21) Appl. No.: **29/773,871**  
(22) Filed: **Mar. 12, 2021**  
(51) **LOC (14) Cl.** ..... **26-04**  
(52) **U.S. Cl.**  
USPC ..... **D26/25**  
(58) **Field of Classification Search**  
USPC ..... D26/1, 2, 4, 24, 25, 27, 57, 61, 67, 73,  
D26/94, 98, 103, 110, 119, 128;  
D11/117, 121, 130  
CPC ..... F21S 4/00; F21S 4/10; F21S 4/15; F21S  
4/20; F21S 4/22; F21S 4/24; F21S 4/26;  
F21W 2121/00; F21W 2121/04; F21W  
2131/109  
See application file for complete search history.

“Outdoor String Lights Patio” reference by Youping US on Amazon.com, date first available Dec. 20, 2021, [online], site visited Nov. 1, 2022, available from internet URL: <https://www.amazon.com/Waterproof-Commercial-Shatterproof-Heavy-Duty-Decorative/dp/B09NVBS91W> (Year: 2021).\*

(Continued)

*Primary Examiner* — Richard Kearney  
*Assistant Examiner* — Liv C Anderson  
(74) *Attorney, Agent, or Firm* — Prakash Nama; Global IP Sendees, PLLC

(57) **CLAIM**

The ornamental design for a LED bulb light, as shown and described.

**DESCRIPTION**

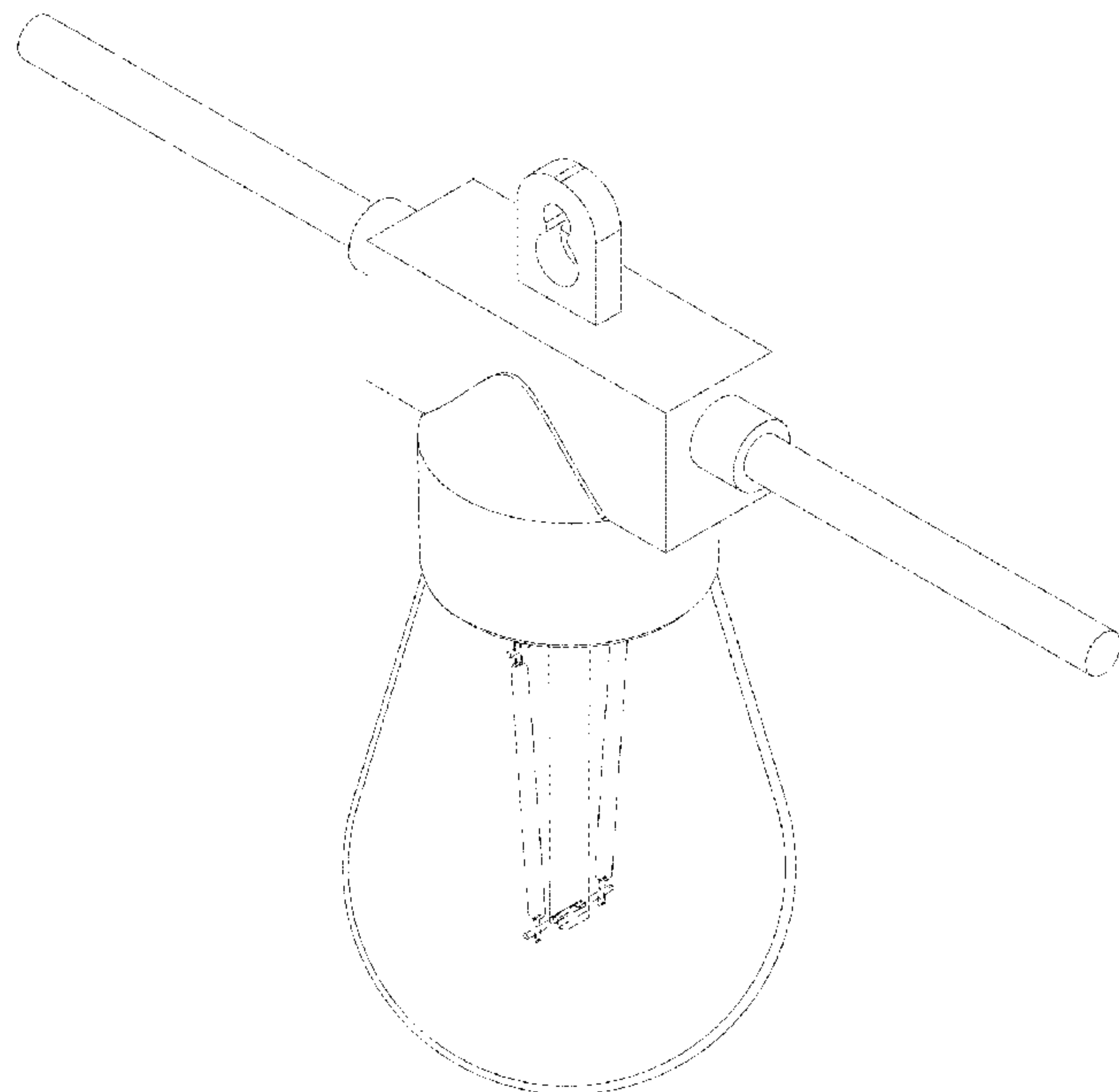
(56) **References Cited**

**U.S. PATENT DOCUMENTS**

3,118,618 A \* 1/1964 Holbrook ..... F21S 4/10  
439/541  
D340,298 S \* 10/1993 Murata ..... D26/25  
D664,683 S \* 7/2012 Matsuda ..... D26/2  
D793,585 S \* 8/2017 Zhang ..... D26/2  
D816,874 S \* 5/2018 Lentz ..... D26/25  
D855,872 S \* 8/2019 Lan ..... D26/119  
D872,320 S \* 1/2020 Pan ..... D26/2  
D888,291 S \* 6/2020 Pan ..... D26/2

FIG. 1 is a front elevational view of a LED bulb light showing our new design, with the rear view a mirror image and therefore not shown;  
FIG. 2 is a left side view thereof;  
FIG. 3 is a right side view thereof; and,  
FIG. 4 is a perspective view thereof.  
The broken lines shown in the drawings depict portions of the LED bulb light that form no part of the claimed design.

**1 Claim, 4 Drawing Sheets**



(56)

**References Cited**

OTHER PUBLICATIONS

“Sunthin” reference by Spreetail on Amazon.com, date first available Sep. 11, 2019 [online], site visited Nov. 1, 2022, available from internet URL: <https://www.amazon.com/SUNTHIN-Shatterproof-Included-Waterproof-Approved/dp/B07SVCB25R> (Year: 2019).\*

“Outdoor String Lights LED” reference by Zotoyi on Amazon.com, date first available Sep. 17, 2021 [online], site visited Nov. 1, 2022, available from internet URL: <https://www.amazon.com/ZOTOYI-Waterproof-Dimmable-Shatterproof-Backyard/dp/B099JKQBZR> (Year: 2021).\*

“Dreamland” reference by HONG999 on Amazon.com, date first available Sep. 6, 2022 [online], site visited Nov. 2, 2022, available from internet URL: <https://www.amazon.com/DREAMLAND-Outdoor-Shatterproof-Waterproof-Backyard/dp/B0B829H89Z?th=1> (Year: 2022).\*

\* cited by examiner

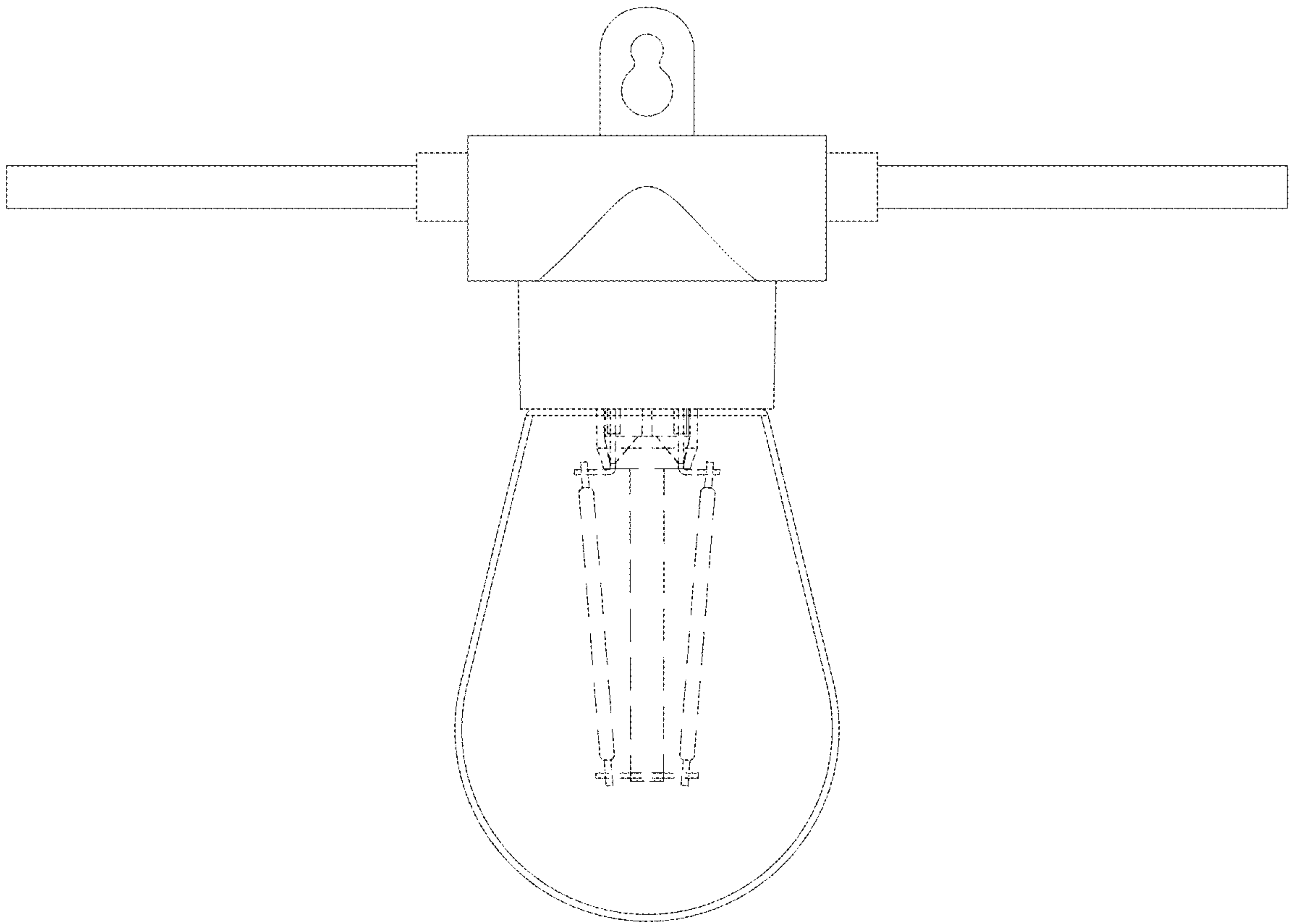


FIG. 1

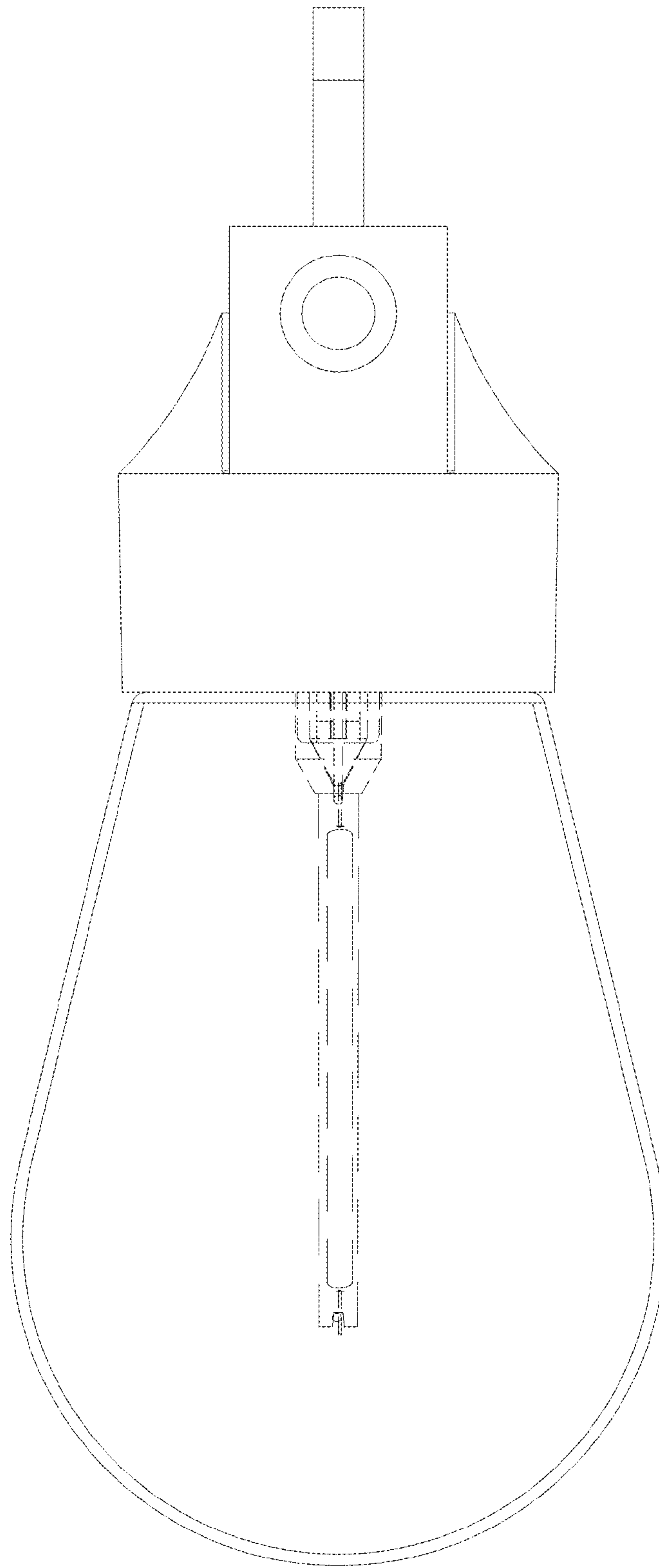


FIG. 2

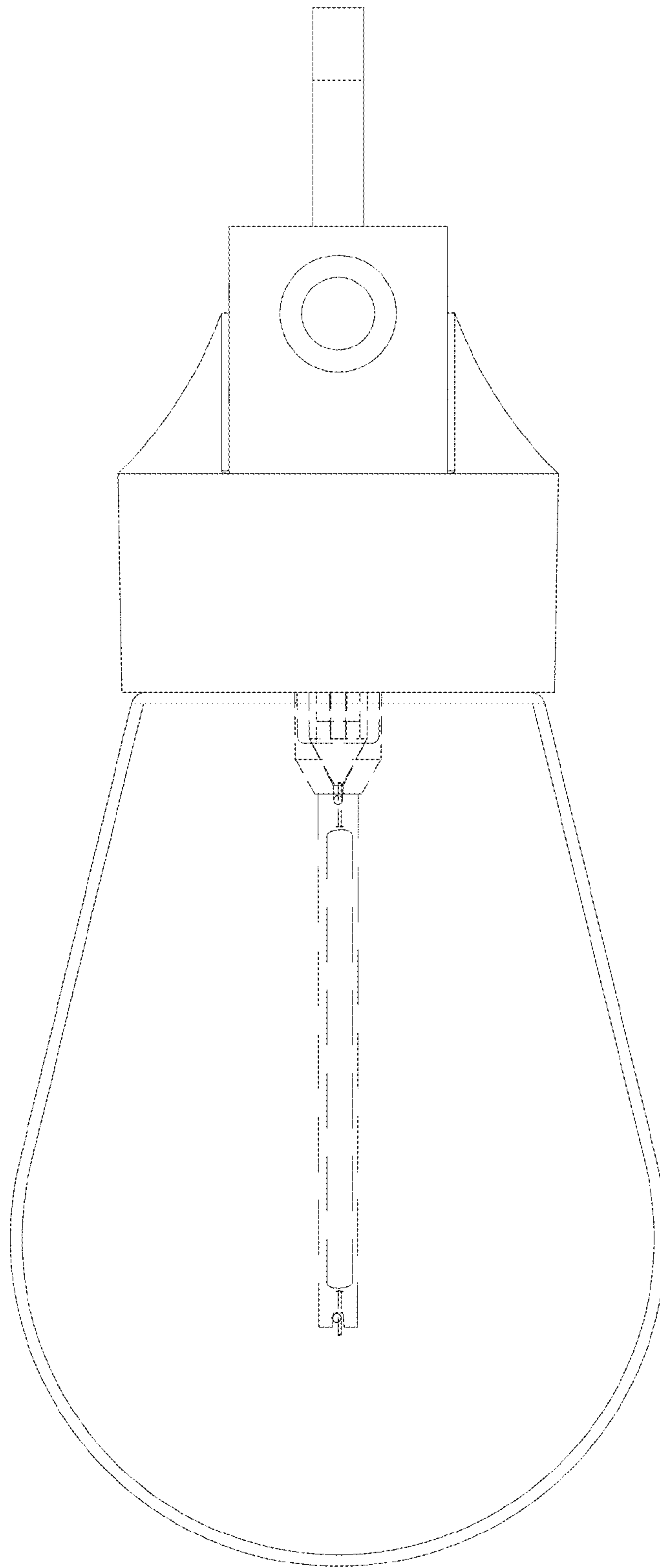


FIG. 3

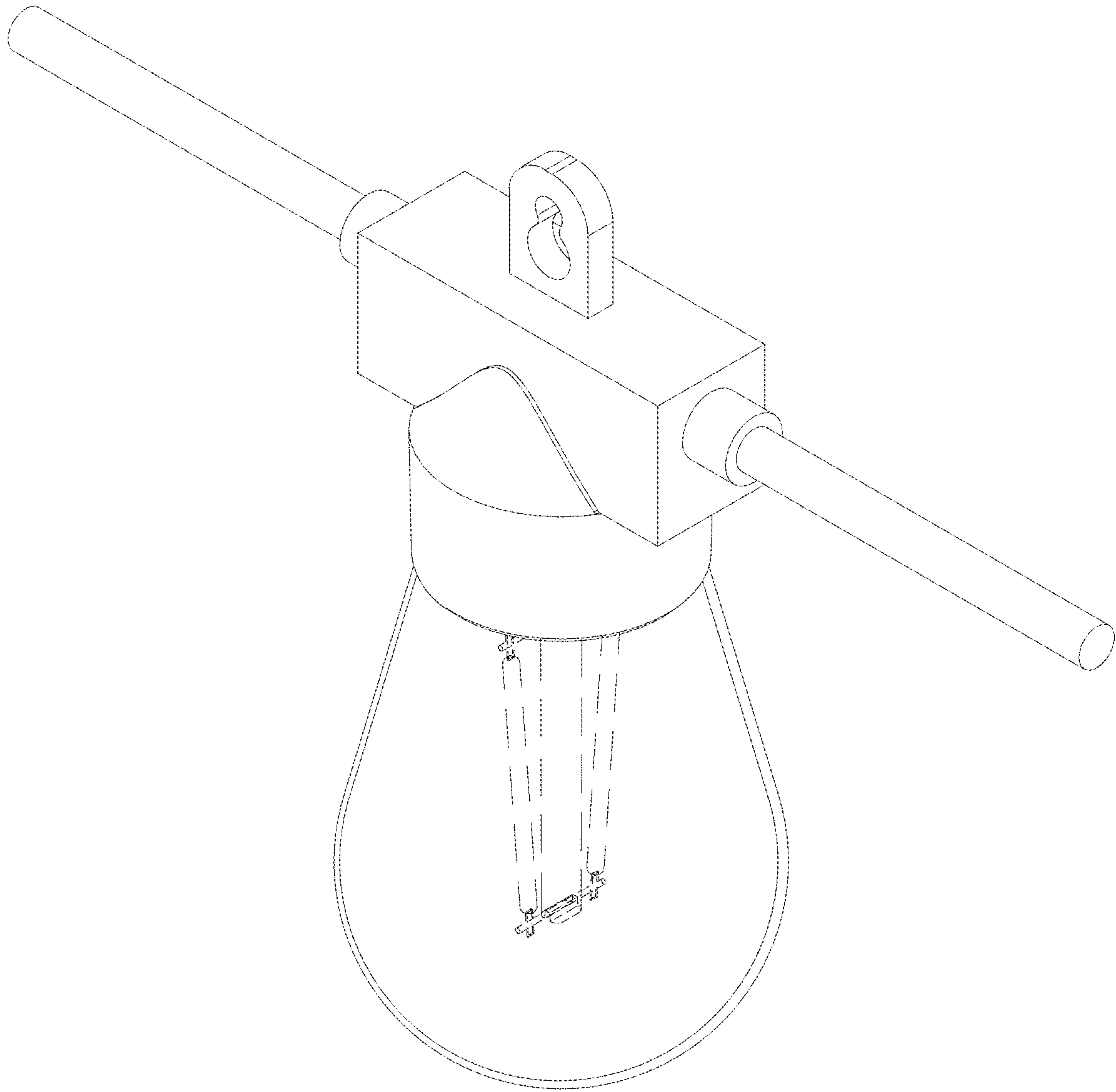


FIG. 4