

(56)

References Cited

U.S. PATENT DOCUMENTS

D947,422 S * 3/2022 Hu D26/25
D951,495 S * 5/2022 He D26/25
2019/0341718 A1* 11/2019 Yu F21V 21/096

OTHER PUBLICATIONS

“Zotoyi Outdoor” reference by Zotoyi on Amazon.com, date first available Oct. 24, 2020 [online], site visited Jul. 7, 2022, available from internet URL: <https://www.amazon.com/ZOTOYI-Outdoor-Hanging-Waterproof-Connectable/dp/B08FHYP8BD/> (Year: 2020).*

* cited by examiner

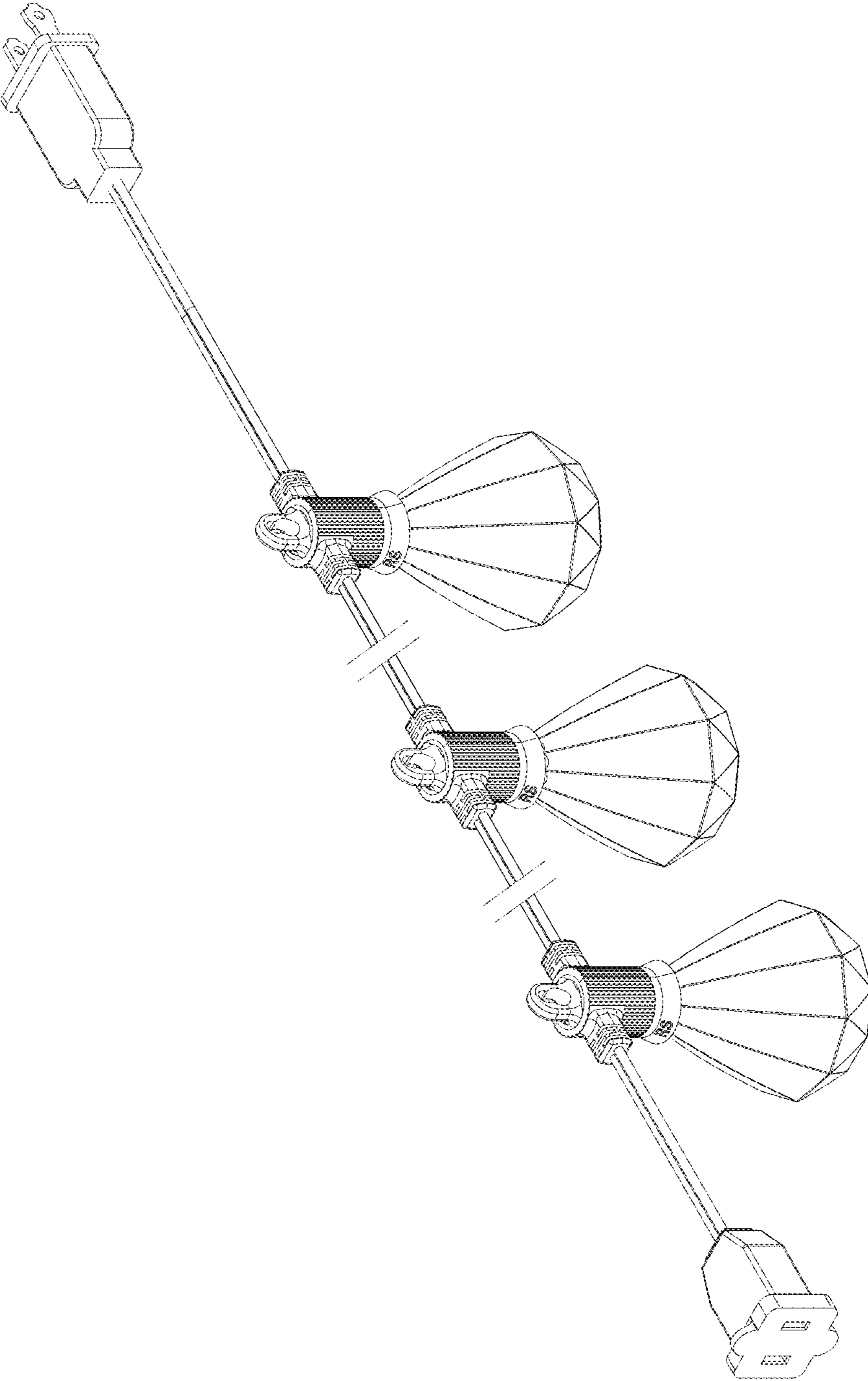


FIG. 1

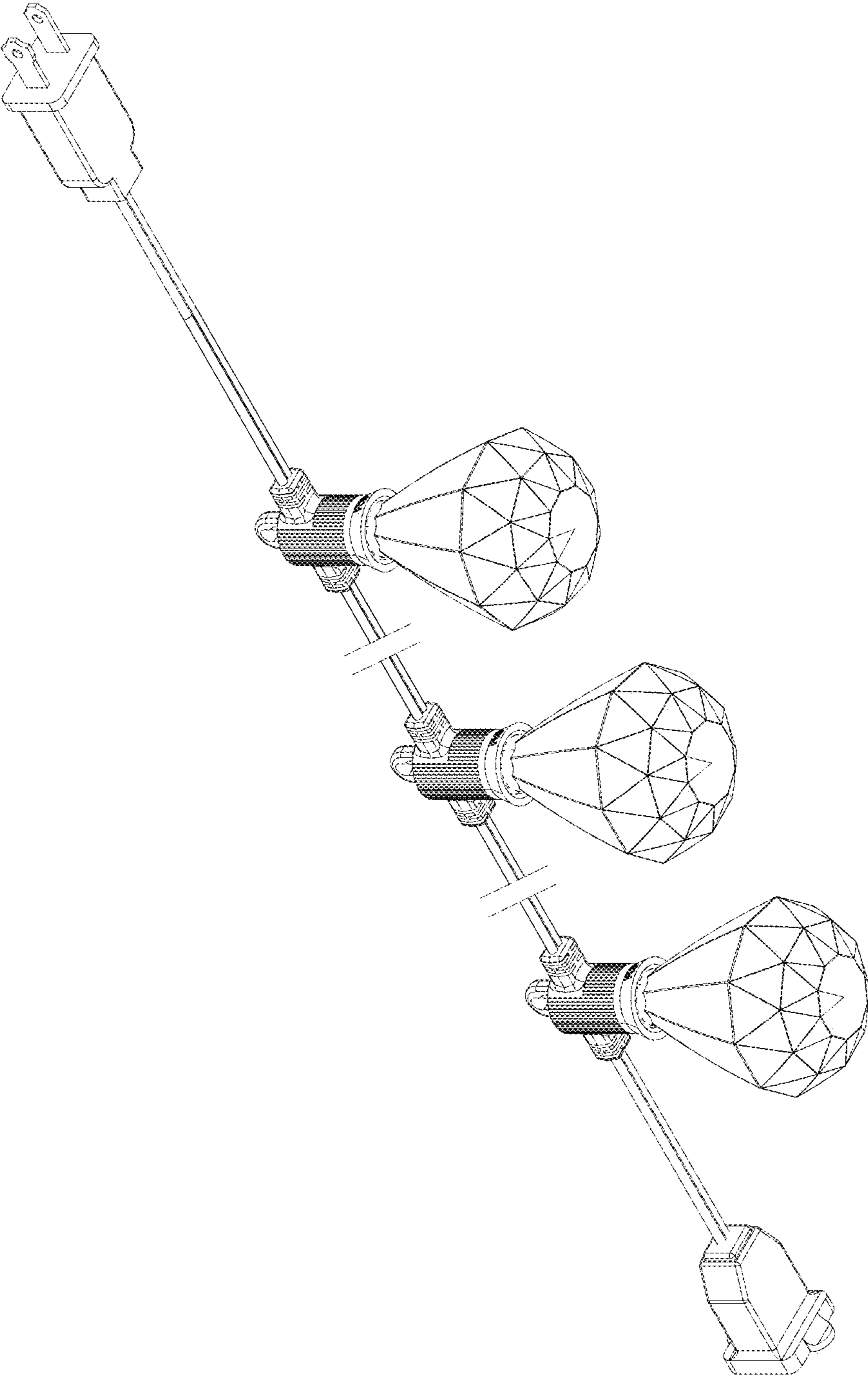


FIG. 2

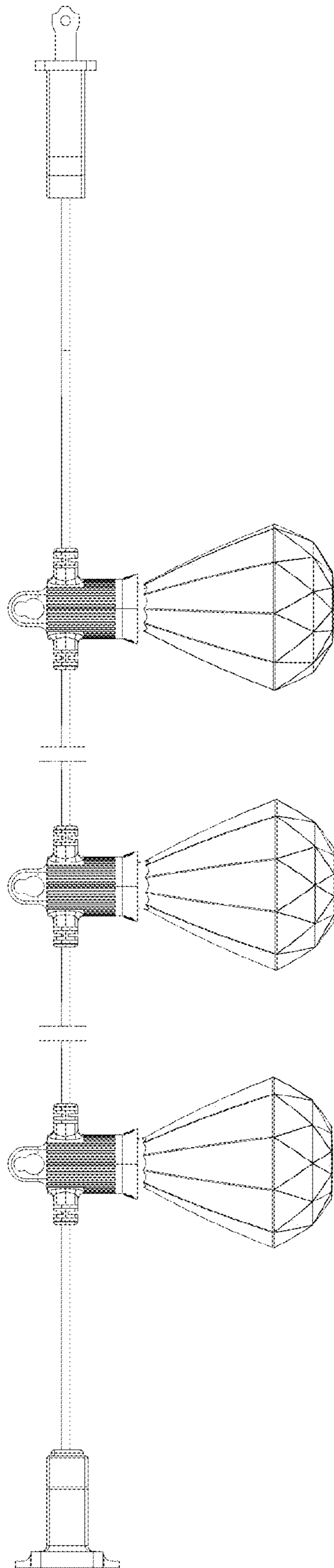


FIG. 3

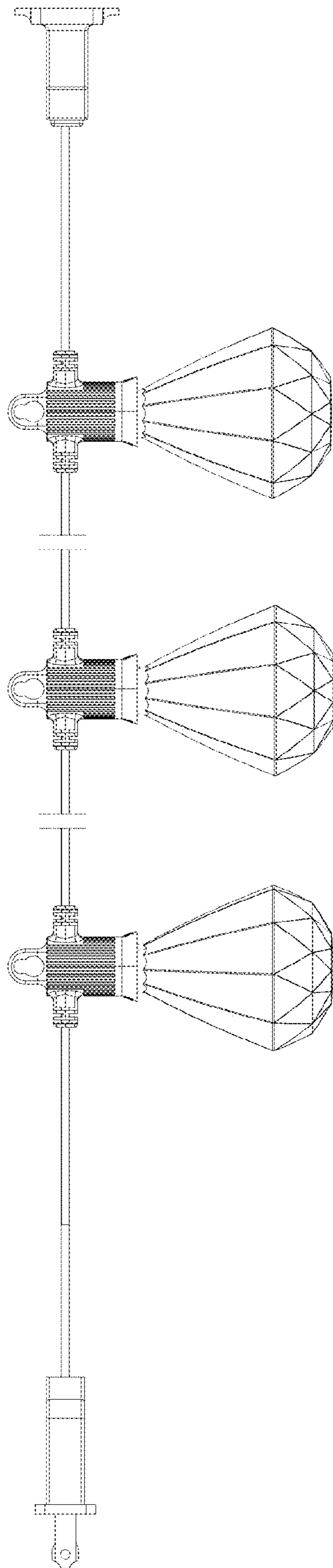


FIG. 4

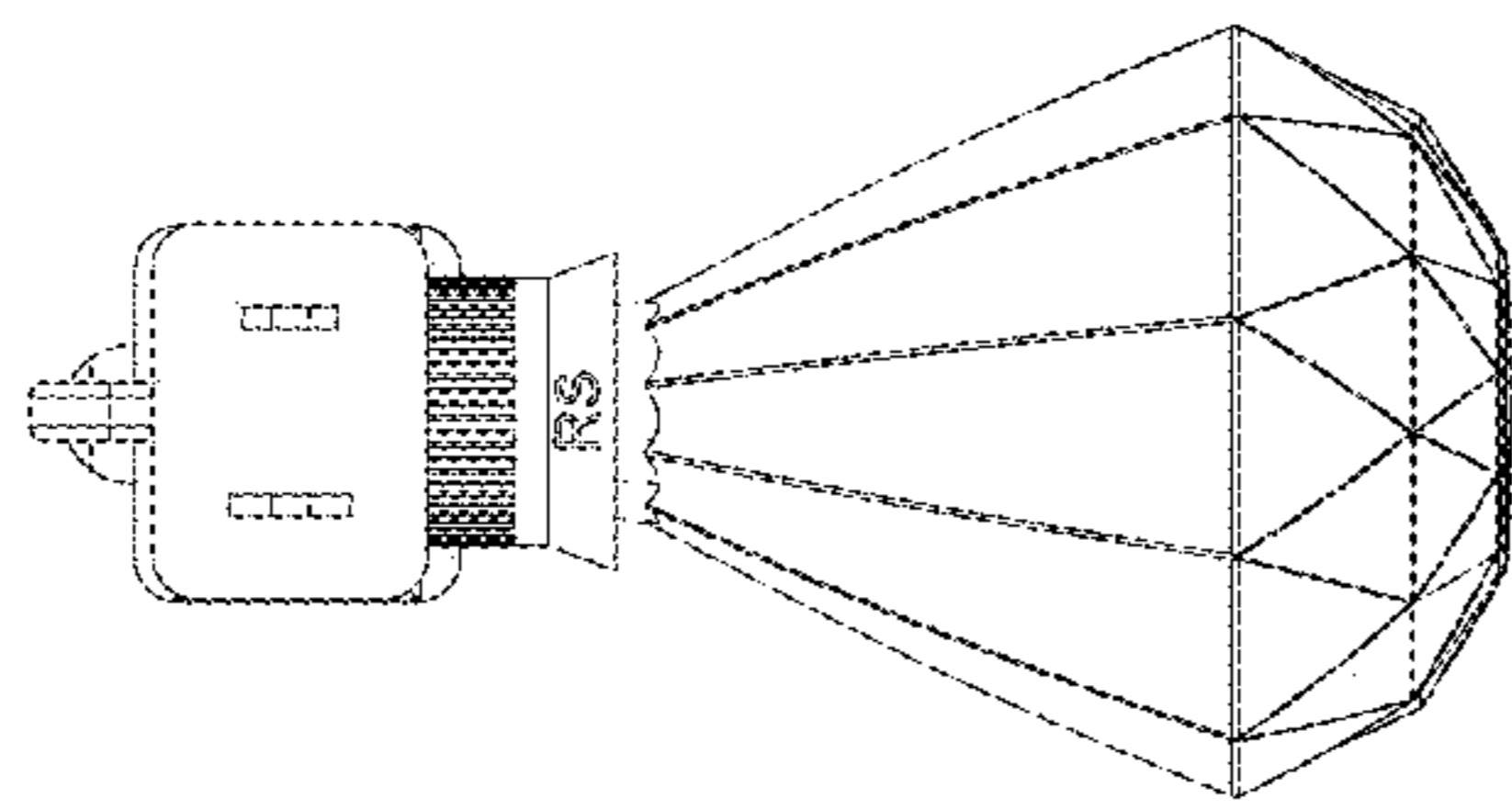


FIG. 5

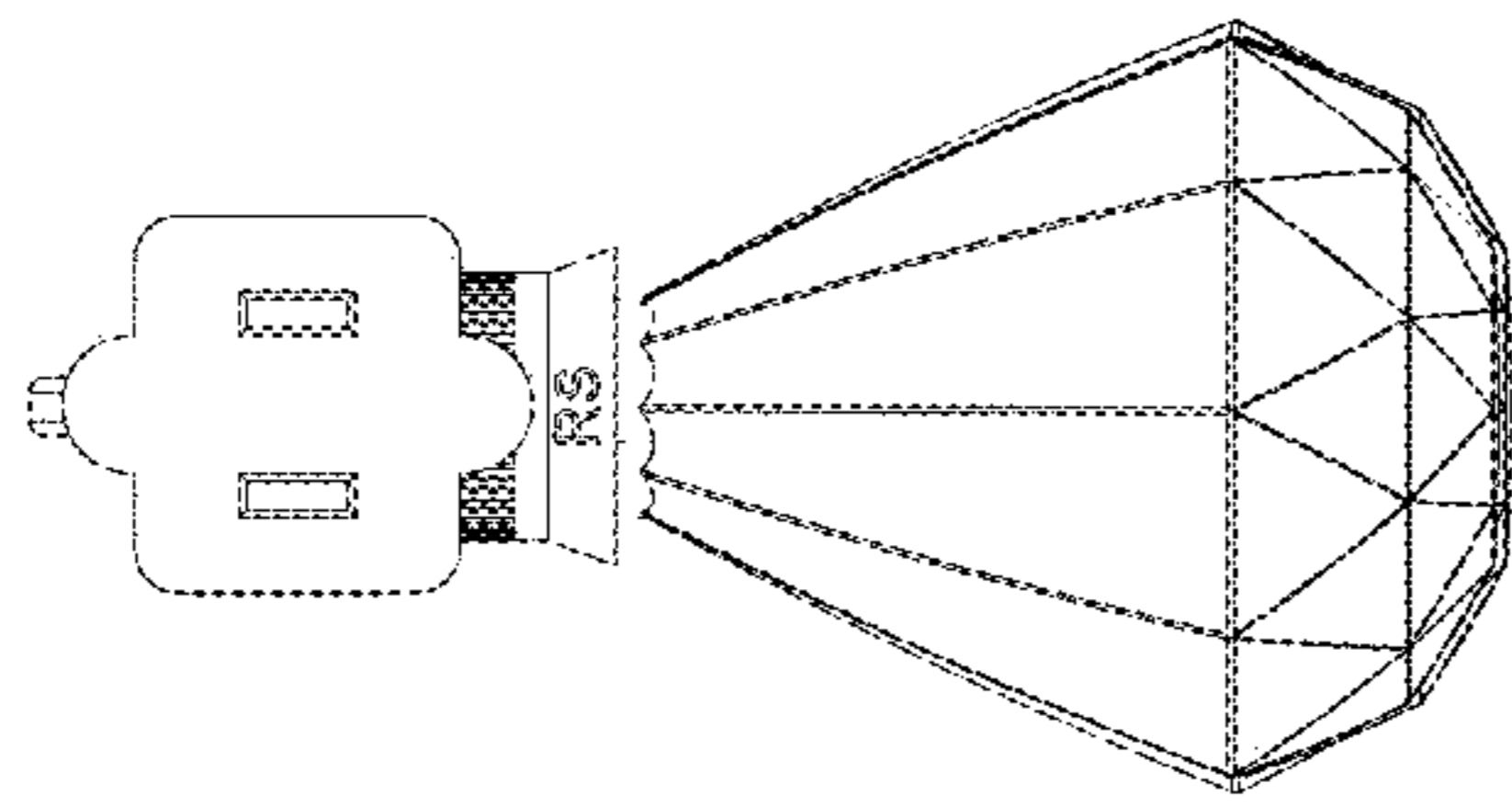


FIG. 6

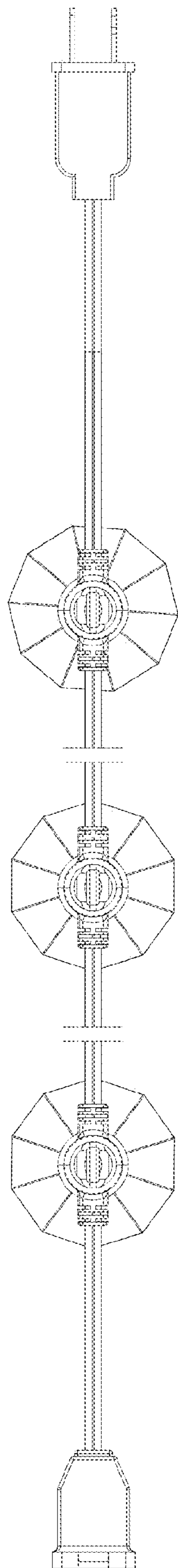


FIG. 7

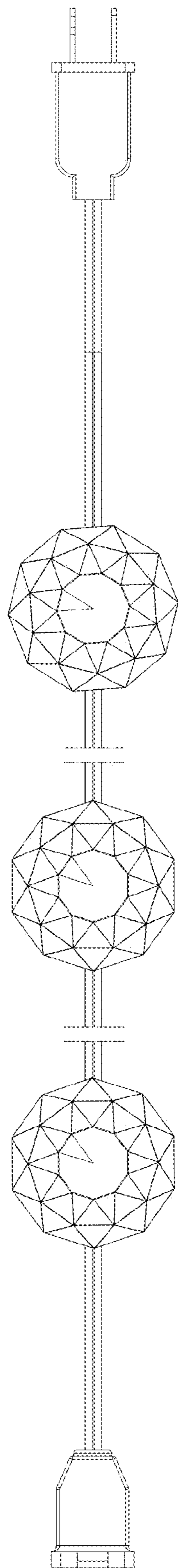


FIG. 8