



US00D985149S

(12) **United States Design Patent** (10) **Patent No.:** **US D985,149 S**
Pan et al. (45) **Date of Patent:** **** May 2, 2023**

(54) **CURVED TOP PERGOLA**

FOREIGN PATENT DOCUMENTS

(71) Applicant: **Sunjoy Industries Group Ltd.**, Galena, OH (US)

CH 635393 A5 3/1983
CN 304975581 S 1/2019

(72) Inventors: **Lianzhang Pan**, Huzhou (CN); **Qi Zhu**, Jiaxing (CN)

OTHER PUBLICATIONS

Sunjoy Allen and Roth YouTube <https://www.youtube.com/watch?v=QpjYE902oMw&app=desktop> Posted May 21, 2018 (Year: 2018).

(73) Assignee: **Sunjoy Industries Group Ltd.**, Galena, OH (US)

(Continued)

(**) Term: **15 Years**

Primary Examiner — Leanne Was-Englehart

(21) Appl. No.: **29/775,257**

(74) *Attorney, Agent, or Firm* — The Law Office of Patrick F. O'Reilly III, LLC

(22) Filed: **Mar. 22, 2021**

(57) **CLAIM**

The ornamental design for a curved top pergola, as shown and described.

Related U.S. Application Data

(63) Continuation of application No. 29/675,398, filed on Dec. 31, 2018, now Pat. No. Des. 914,240, which is a continuation-in-part of application No. 16/237,529, filed on Dec. 31, 2018, now Pat. No. 10,760,280, which is a continuation-in-part of application No.

(Continued)

(51) **LOC (14) Cl.** **25-02**

(52) **U.S. Cl.**
USPC **D25/56**

(58) **Field of Classification Search**
USPC D3/5; D21/834, 837, 838, 839; D25/56, D25/57, 61
CPC . E04H 1/00–12; E04H 1/1205; E04H 1/1211; E04H 1/1233
See application file for complete search history.

DESCRIPTION

FIG. 1 is a side-top perspective view of a curved top pergola showing our new design;
FIG. 2 is a bottom-side perspective view of the curved top pergola shown in FIG. 1;
FIG. 3 is a first side elevational view of the curved top pergola shown in FIG. 1;
FIG. 4 is a second side elevational view of the curved top pergola shown in FIG. 1;
FIG. 5 is a front elevational view of the curved top pergola shown in FIG. 1;
FIG. 6 is a rear elevational view of the curved top pergola shown in FIG. 1;
FIG. 7 is a bottom plan view of the curved top pergola shown in FIG. 1; and,
FIG. 8 is a top plan view of the curved top pergola shown in FIG. 1.

The broken line portions of the drawing figures are included to show unclaimed subject matter only and form no part of the claimed design.

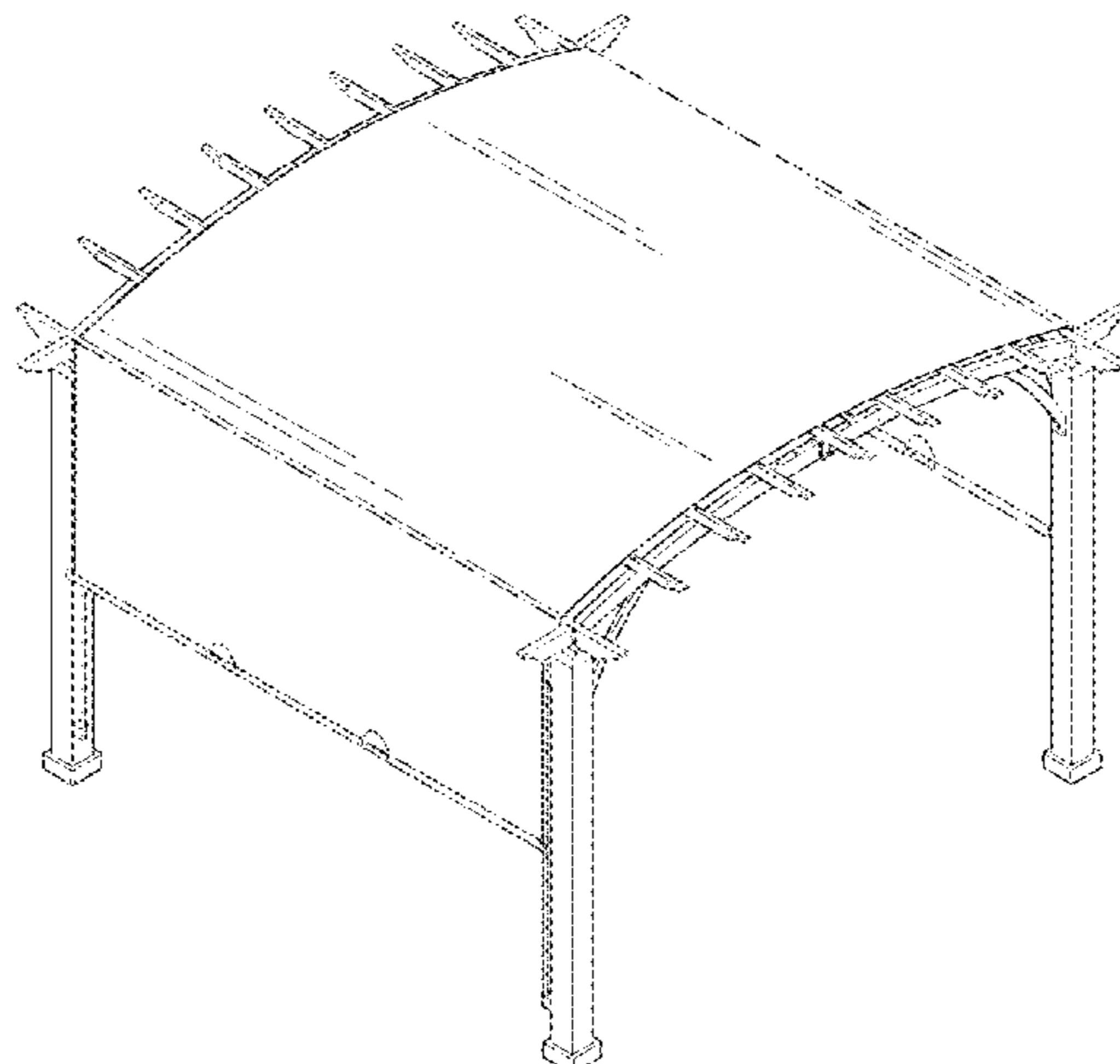
(Continued)

(56) **References Cited**

U.S. PATENT DOCUMENTS

711,225 A 10/1902 Putnam et al.
1,061,547 A 5/1913 Kennedy

(Continued)



The dot-dash broken lines which define the bounds of the claim depict the limits of the claim and form no part of the claimed design.

1 Claim, 4 Drawing Sheets

Related U.S. Application Data

15/599,455, filed on May 18, 2017, now Pat. No. 10,214,938.

(56) **References Cited**

U.S. PATENT DOCUMENTS

2,589,647	A	3/1952	Van Gelder et al.	
2,948,288	A	8/1960	Nelson	
3,140,563	A	7/1964	Allen	
4,541,214	A	9/1985	Lambert	
D293,934	S	1/1988	Lambert et al.	
5,148,646	A	9/1992	Lutostanski	
5,927,311	A	7/1999	Jager	
6,006,809	A	12/1999	Williams et al.	
6,088,989	A	7/2000	Matsu et al.	
D464,438	S	10/2002	Skulsky	
D485,367	S	1/2004	Skulsky	
D523,969	S *	6/2006	Abruzese	D25/56
7,165,372	B1	1/2007	Skulsky	
7,335,096	B2	2/2008	Perez et al.	
D565,198	S *	3/2008	Tung	D25/56
D602,602	S	10/2009	Sears	
D603,058	S	10/2009	Sears	
7,665,270	B1	2/2010	Moffly	
7,669,373	B2	3/2010	Muir	
7,900,417	B1	3/2011	Leines	
8,061,106	B2	11/2011	Clark	
8,240,097	B2	8/2012	Day et al.	

8,347,559	B2	1/2013	Grazioso	
8,413,389	B2	4/2013	Frigerio	
D687,969	S	8/2013	Randol et al.	
8,640,420	B1	2/2014	Halley	
9,016,594	B2	4/2015	Sheridan	
9,243,422	B2	1/2016	Hunt et al.	
9,556,639	B2	1/2017	Hunt et al.	
9,624,689	B2	4/2017	Bailey et al.	
D785,814	S *	5/2017	Koo	D25/56
D799,062	S *	10/2017	Larin	D25/56
D802,797	S *	11/2017	Morrison	D25/56
10,214,938	B2	2/2019	Pan	
D856,530	S *	8/2019	Oskoui	D25/18
D886,328	S *	6/2020	Williamson	D25/56
10,760,280	B2	9/2020	Pan et al.	
D912,276	S *	3/2021	Denton	D25/56
D914,240	S *	3/2021	Pan	D25/56
2007/0017646	A1	1/2007	Zhao	
2016/0130836	A1	5/2016	Shargani	
2016/0258182	A1	9/2016	Xie	
2017/0009483	A1	1/2017	Xie	
2017/0022731	A1	1/2017	Xie	
2017/0183876	A1	6/2017	Bailey et al.	
2017/0335595	A1	11/2017	Pan	
2019/0136538	A1	5/2019	Pan et al.	

OTHER PUBLICATIONS

Sunjoy Pergolas Overstock https://www.overstock.com/Home-Garden/Gazebos-Pergolas/22409/subcat.html?featuredproduct=19976027&featuredoption=33225785&AID=13516709&PID=7494768&SID=460579997&cjevent=16117e4c1fa2fc3db24923f169000317f7393a08b3b73ee7f&entrytrigger=noshow&exittrigger=noshow&fp=F&utm_source (Year: 2018).
 Restriction Requirement in U.S. Appl. No. 29/675,398, dated Feb. 26, 2020.
 First office action on the merits (Non-Final Rejection) in U.S. Appl. No. 29/675,398, dated Jul. 15, 2020.

* cited by examiner

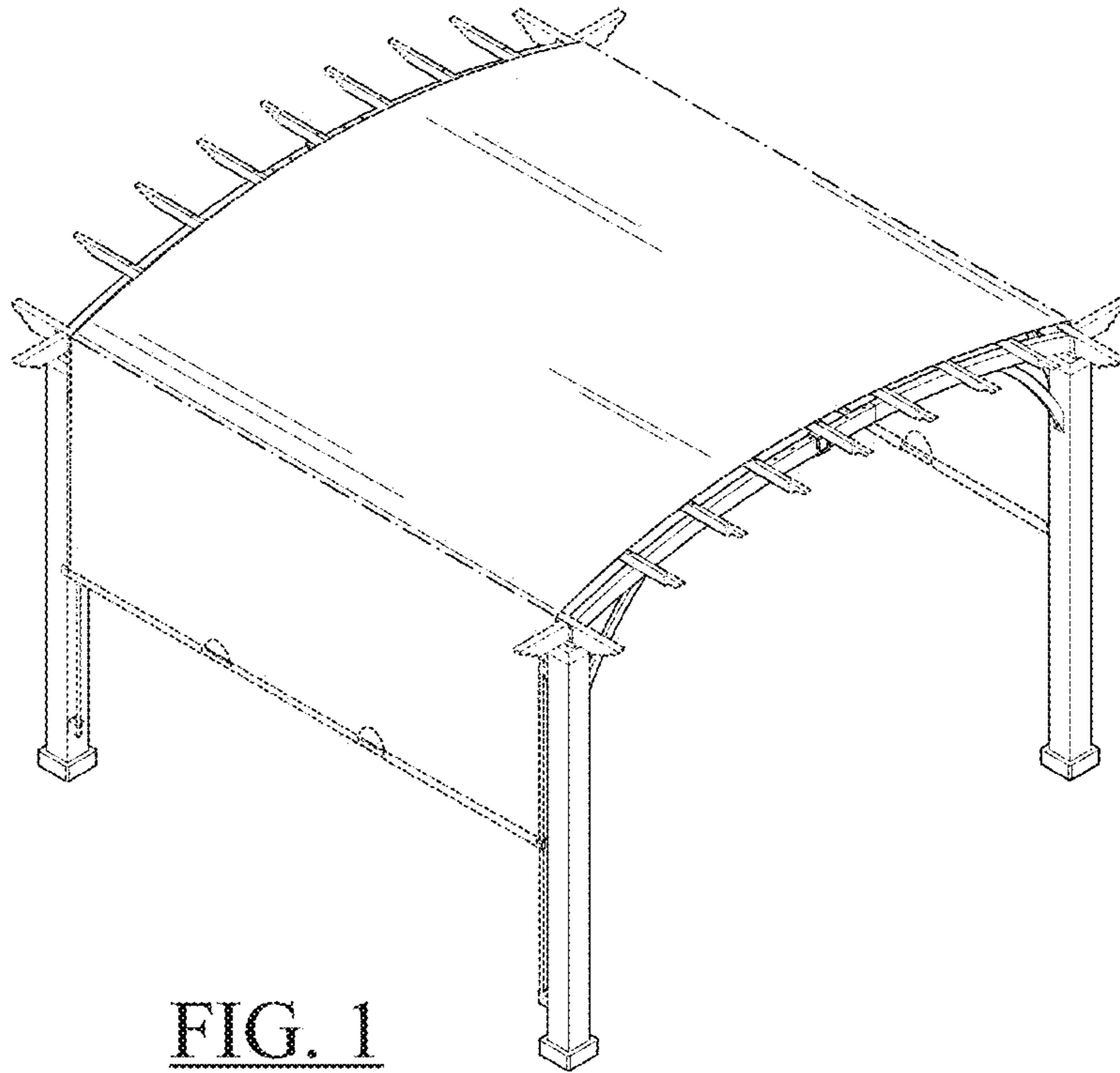


FIG. 1

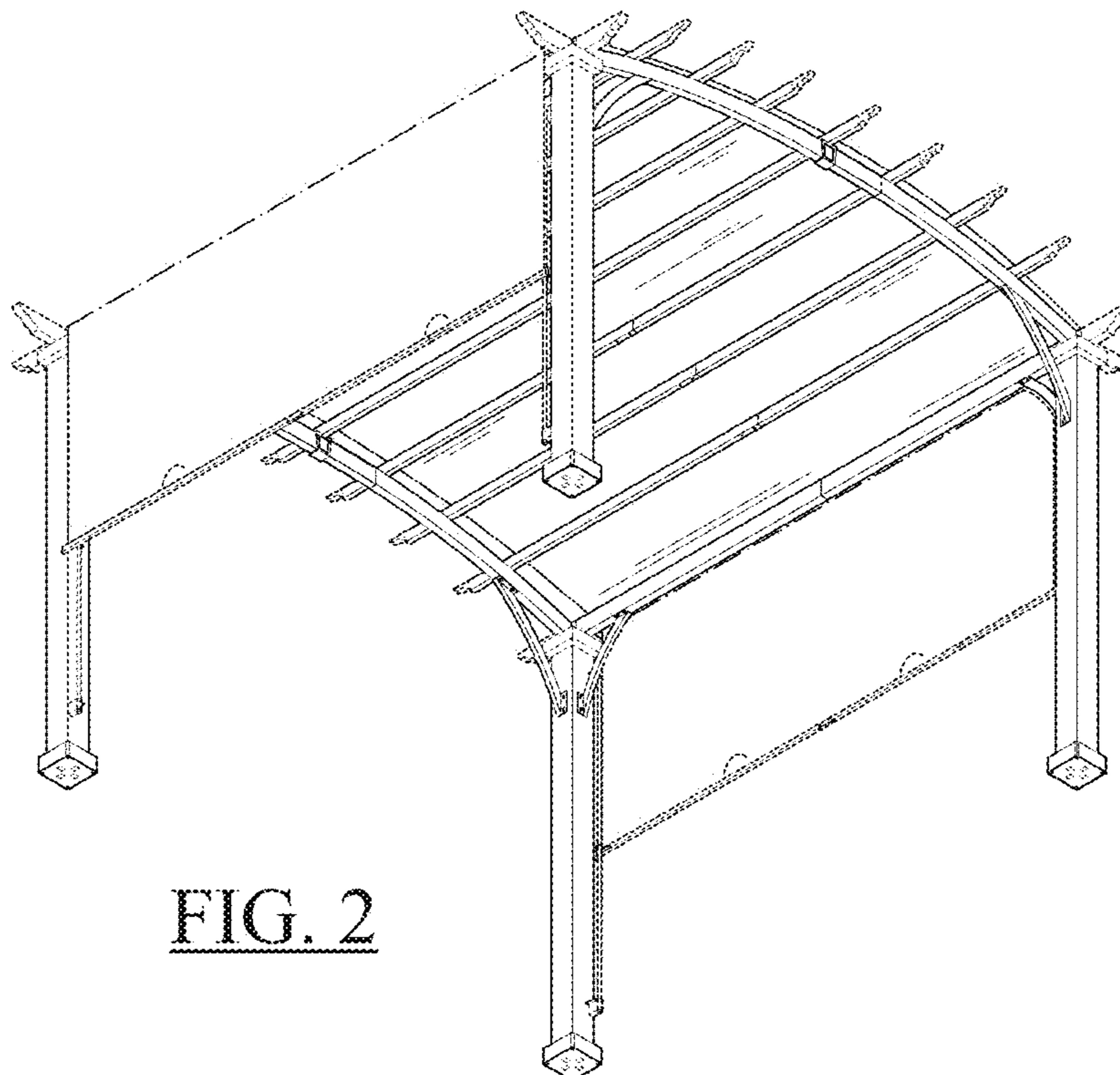


FIG. 2

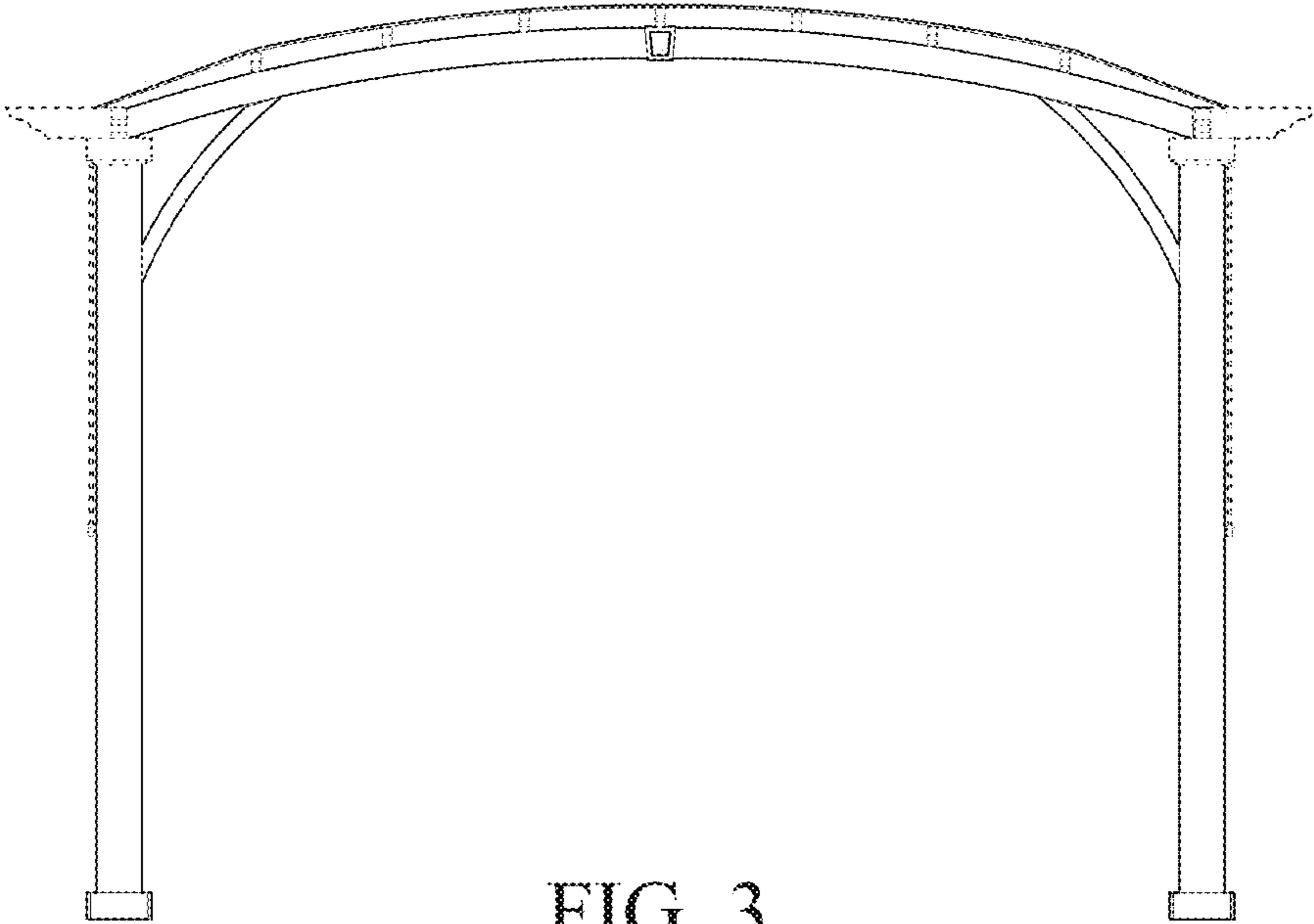


FIG. 3

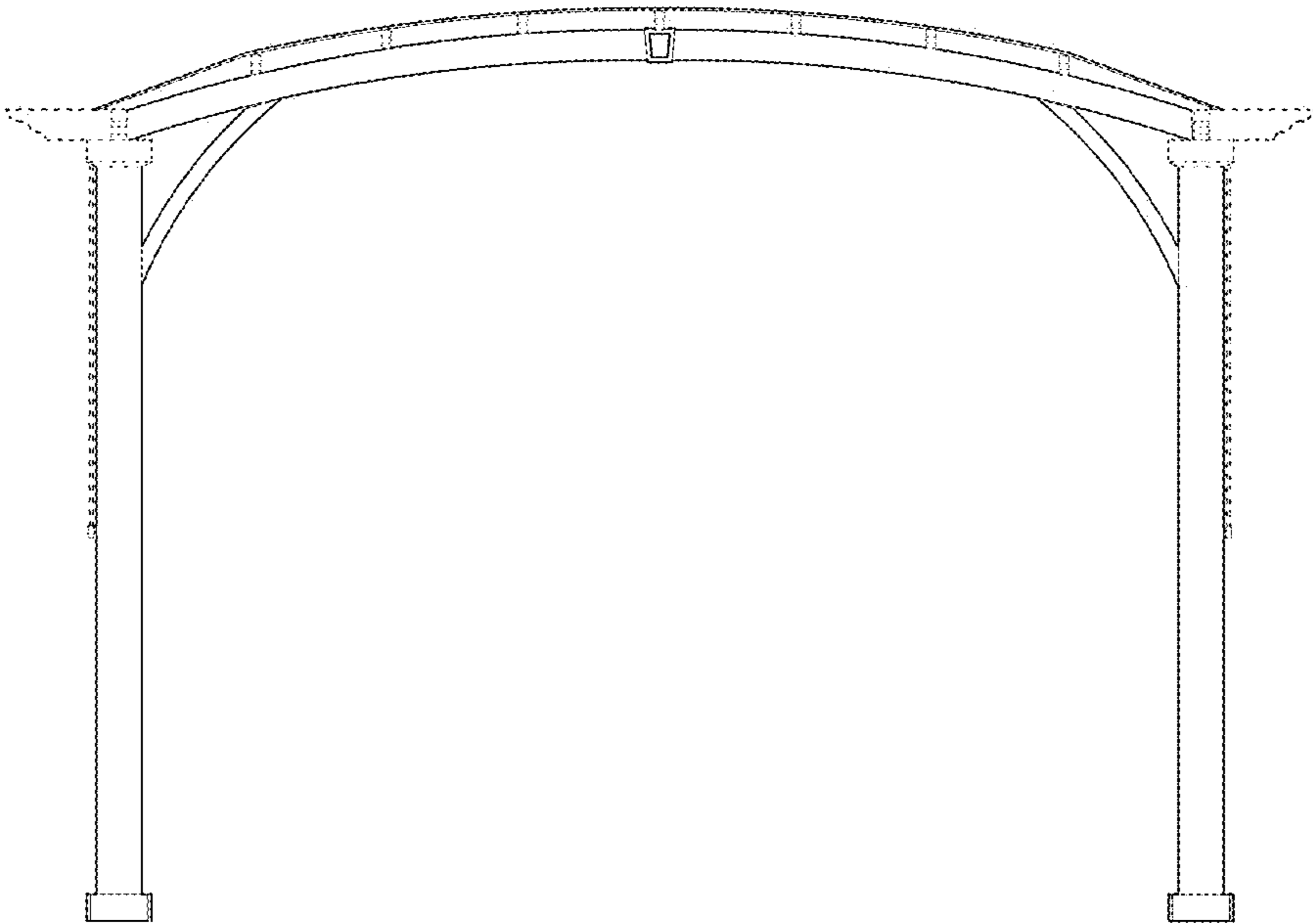


FIG. 4

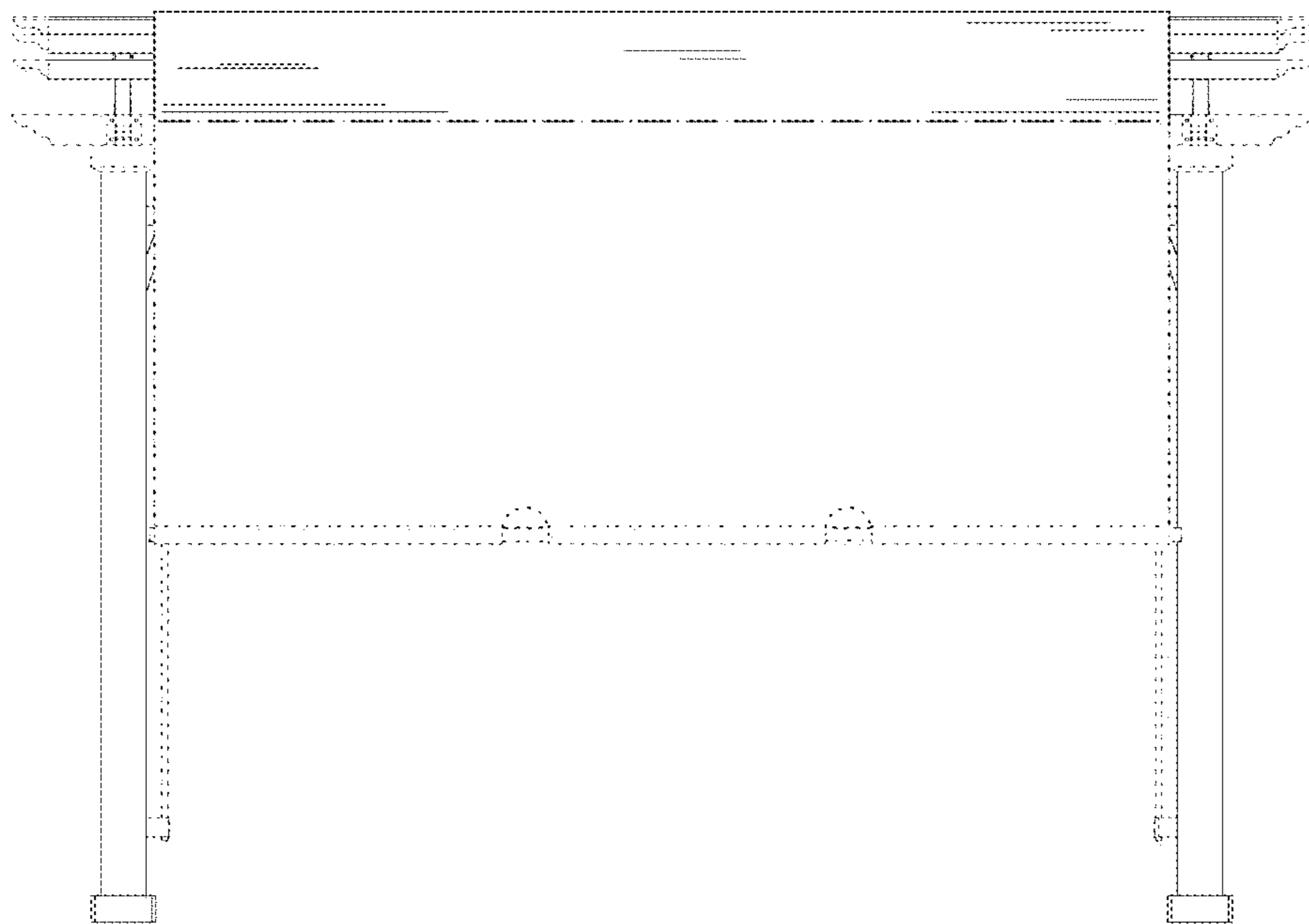


FIG. 5

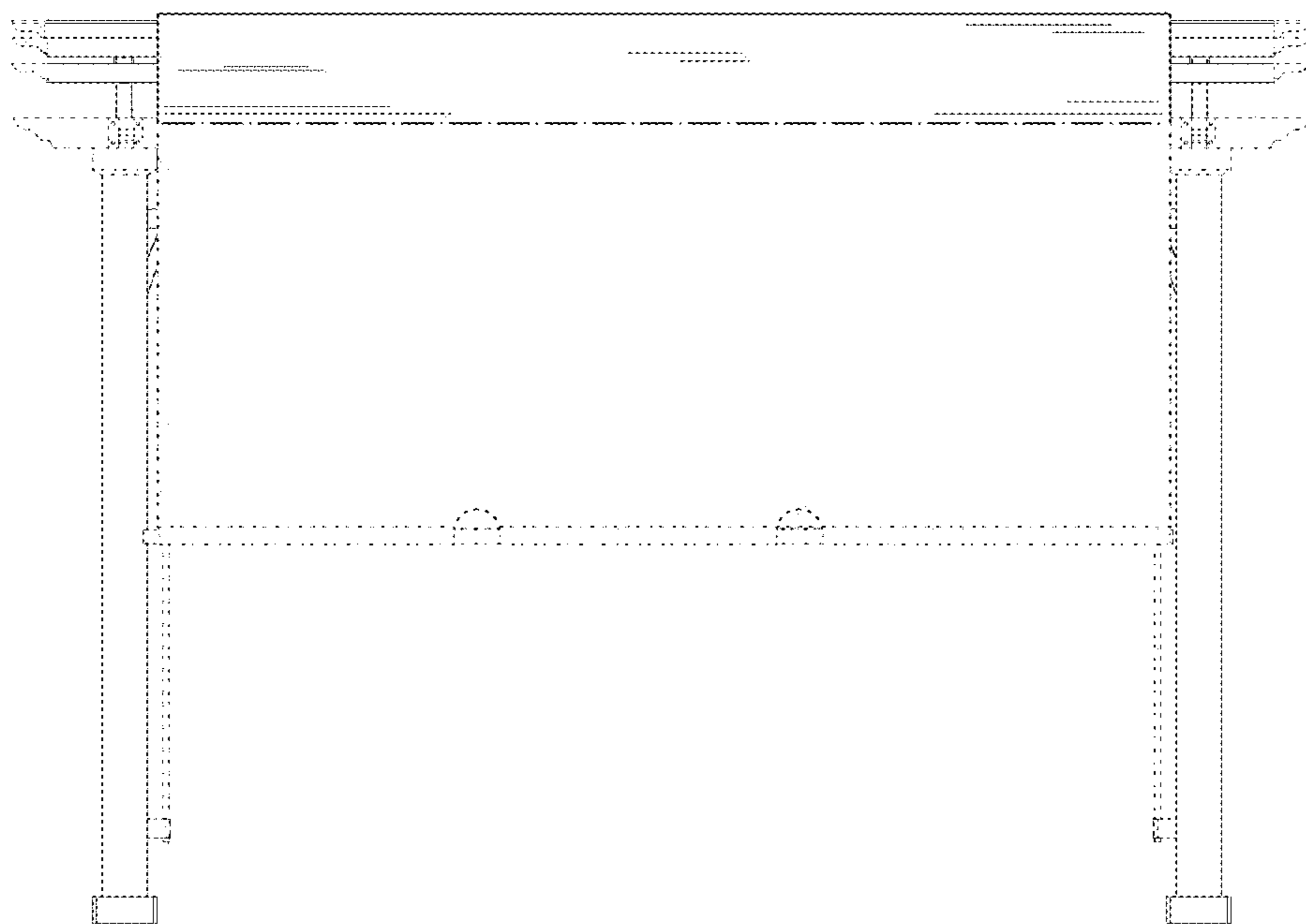


FIG. 6

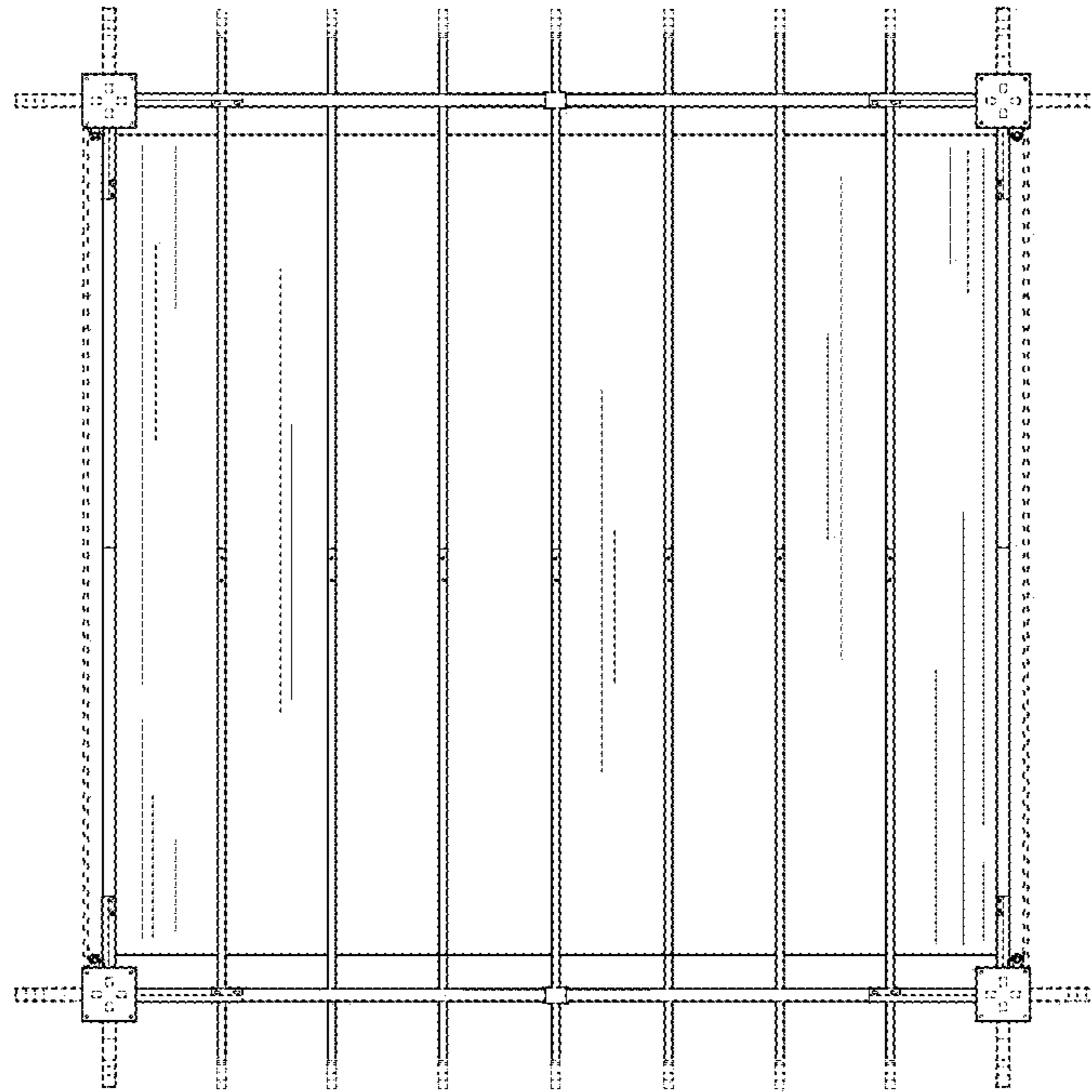


FIG. 7

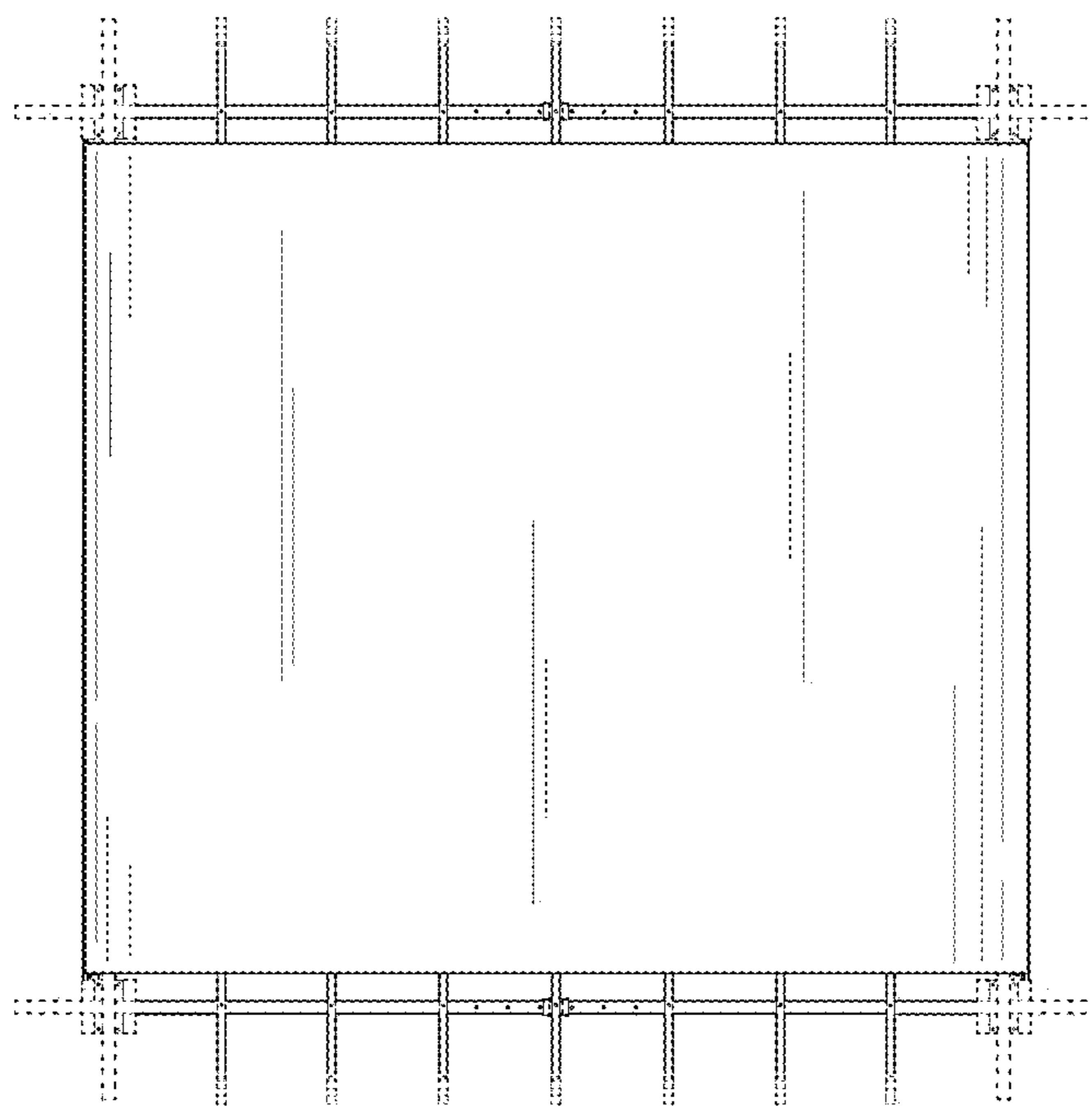


FIG. 8