



US00D985147S

(12) **United States Design Patent** (10) **Patent No.:** **US D985,147 S**
Zhu (45) **Date of Patent:** **** May 2, 2023**

(54) **WHITE NOISE SOUND MACHINE**
(71) Applicant: **DongHua Zhu**, Jiangsu (CN)
(72) Inventor: **DongHua Zhu**, Jiangsu (CN)
(**) Term: **15 Years**

D920,538 S * 5/2021 Zhang D24/231
D935,641 S * 11/2021 Zhou D24/231
D935,683 S * 11/2021 Garrett D26/104
D939,968 S * 1/2022 Zhao D26/54
D941,450 S * 1/2022 Hu D23/366
D944,790 S * 3/2022 Olsson D14/300
D965,176 S * 9/2022 Luo D24/231
D967,499 S * 10/2022 Yi D26/104

(Continued)

(21) Appl. No.: **29/796,694**

(22) Filed: **Jun. 25, 2021**

(51) **LOC (14) Cl.** **24-99**

(52) **U.S. Cl.**
USPC **D24/231**; D10/116.1; D26/52; D26/104;
D14/216

(58) **Field of Classification Search**
USPC D24/230, 231, 151, 173; D21/308, 362,
D21/488; D26/128, 36, 49, 123;
D14/167, 168, 170-172, 188, 194-198,
D14/204, 207, 209.1, 210-216, 219, 221,
D14/222, 224, 496, 313; D10/116.1;
D11/131; D19/93; D34/2; D30/121,
D30/132
CPC B60R 11/0217; G06F 1/1688; G10K 9/22;
G10K 11/004; G10K 11/175; H03F
1/327; H04M 1/03; H04M 1/035; H04N
5/642; H04N 21/4852; A61M 2021/0027;
A61M 21/02; A61M 2210/0662; A61M
2230/005; H04L 25/03993; H04L
25/03299

See application file for complete search history.

(56) **References Cited**

U.S. PATENT DOCUMENTS

D301,156 S * 5/1989 Bullard D10/116.1
D414,190 S * 9/1999 Pinchuk D11/131
D429,178 S * 8/2000 Yuen D10/116.1
D501,420 S * 2/2005 Lindler D10/119.1
D843,419 S * 3/2019 Vaclavik D14/496
D854,226 S * 7/2019 Lin D26/104
D860,167 S * 9/2019 Zhu D14/204
D865,716 S * 11/2019 Kuang D14/216
D883,329 S * 5/2020 Shi D14/496
D900,788 S * 11/2020 Wang D14/216

FOREIGN PATENT DOCUMENTS

CN 306921644 * 11/2021
CN 307564404 * 9/2022

OTHER PUBLICATIONS

Color Noise Sound Machines. Apr. 21, 2023. Site visited Feb. 11, 2023. [https://www.amazon.com/Color-Noise-Machines-Adjustable-Brightness/dp/B093GZ7B2X/ref=sr_1_82?crd=2ZB3LBJTPJMF5&keywords=white+noise+machine&qid=1676143894&s=home-garden&sprefix=white+noise+machine%2Cgarden%2C129&sr=1-82] (Year: 2021).*

(Continued)

Primary Examiner — Wendy L Arminio
Assistant Examiner — Maheen Khurshid

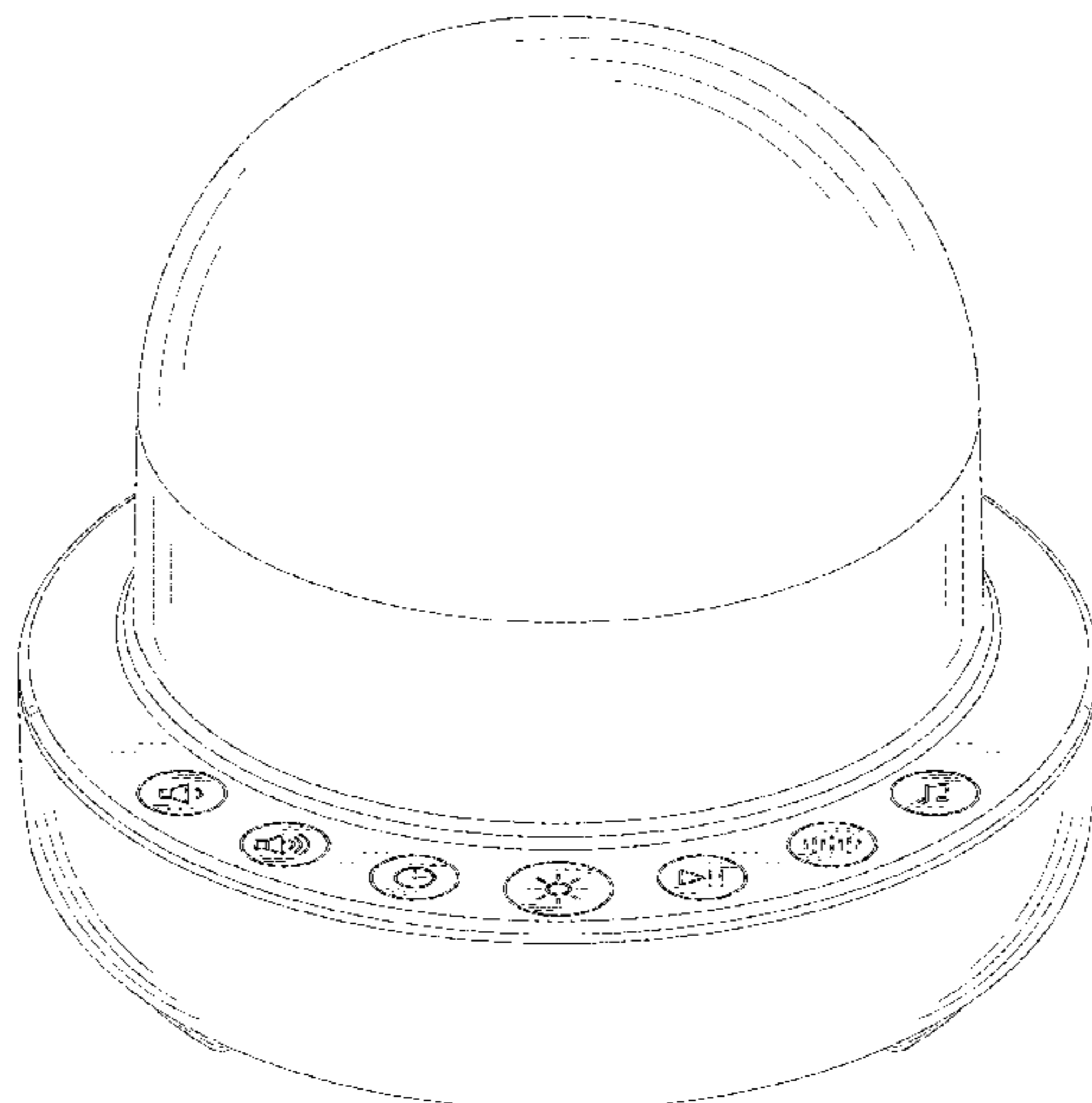
(57) **CLAIM**

The ornamental design for a white noise sound machine, as shown and described.

DESCRIPTION

FIG. 1 is a front view of a white noise sound machine showing my new design;
FIG. 2 is a back view thereof;
FIG. 3 is a left side view thereof;
FIG. 4 is a right side view thereof;
FIG. 5 is a top view thereof;
FIG. 6 is a bottom view thereof;
FIG. 7 is a perspective view thereof; and,
FIG. 8 is another perspective view thereof.

1 Claim, 8 Drawing Sheets



(56)

References Cited

U.S. PATENT DOCUMENTS

D970,074 S * 11/2022 Chen D14/216
D972,181 S * 12/2022 Lin D26/104
D973,934 S * 12/2022 Ye D26/104
2019/0348019 A1 * 11/2019 Lazar G10K 15/04

OTHER PUBLICATIONS

Baby Sound Machine. Jul. 19, 2021. Site visited Feb. 11, 2023.
[https://www.amazon.com/Machine-Momcozy-Sleeping-Soothing-Personal/dp/B099RSXLGH/ref=psdc_3760941_t1_B09ZPV7GLP] (Year: 2021).*

Anescra White Noise. Jul. 30, 2020. Site visited Feb. 11, 2023.
[https://www.amazon.com/Anescra-Machine-Soothing-Rechargeable-Portable/dp/B08DXRGM4X/ref=sr_1_56?crid=15O23IQ87G9VY&keywords=white+noise+sound+machine+round+top&qid=1676146008&s=hpc&prefix=white+noise+sound+machine+round+top%2Chpc%2C105&sr=1-56] (Year: 2020).*

Dreamegg D1 Sound Machine. Oct. 1, 2018. Site visited Feb. 11, 2023. [https://www.amazon.com/Dreamegg-D1-Sound-Machine-Sleeping/dp/B07HKP XKCD/ref=sr_1_38?crid=15O23IQ87G9VY&keywords=white+noise+sound+machine+round+top&qid=1676145975&s=hpc&prefix=white+noise+sound+machine+round+top%2Chpc%2C105&sr=1-38] (Year: 2018).*

* cited by examiner

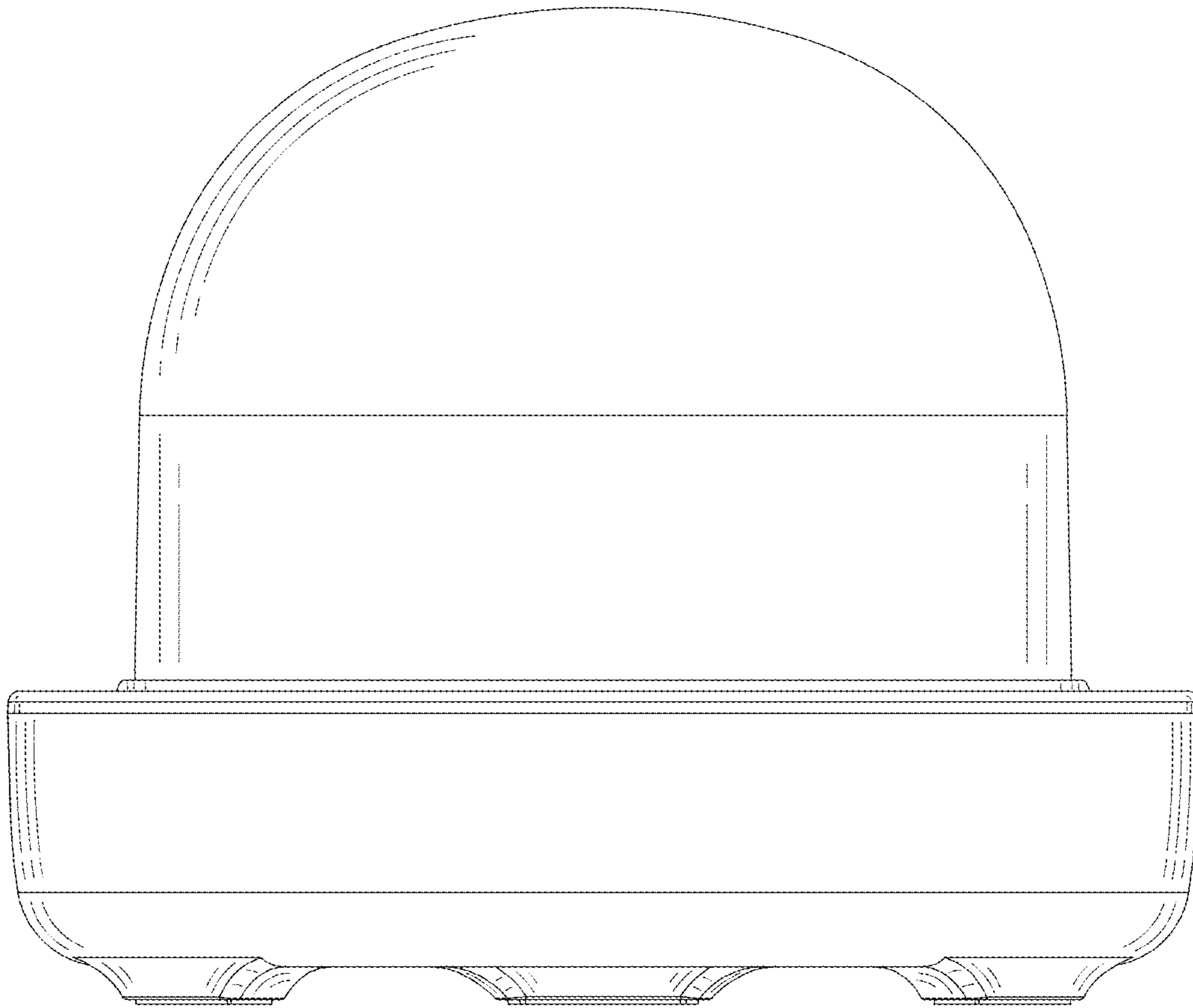


FIG. 1

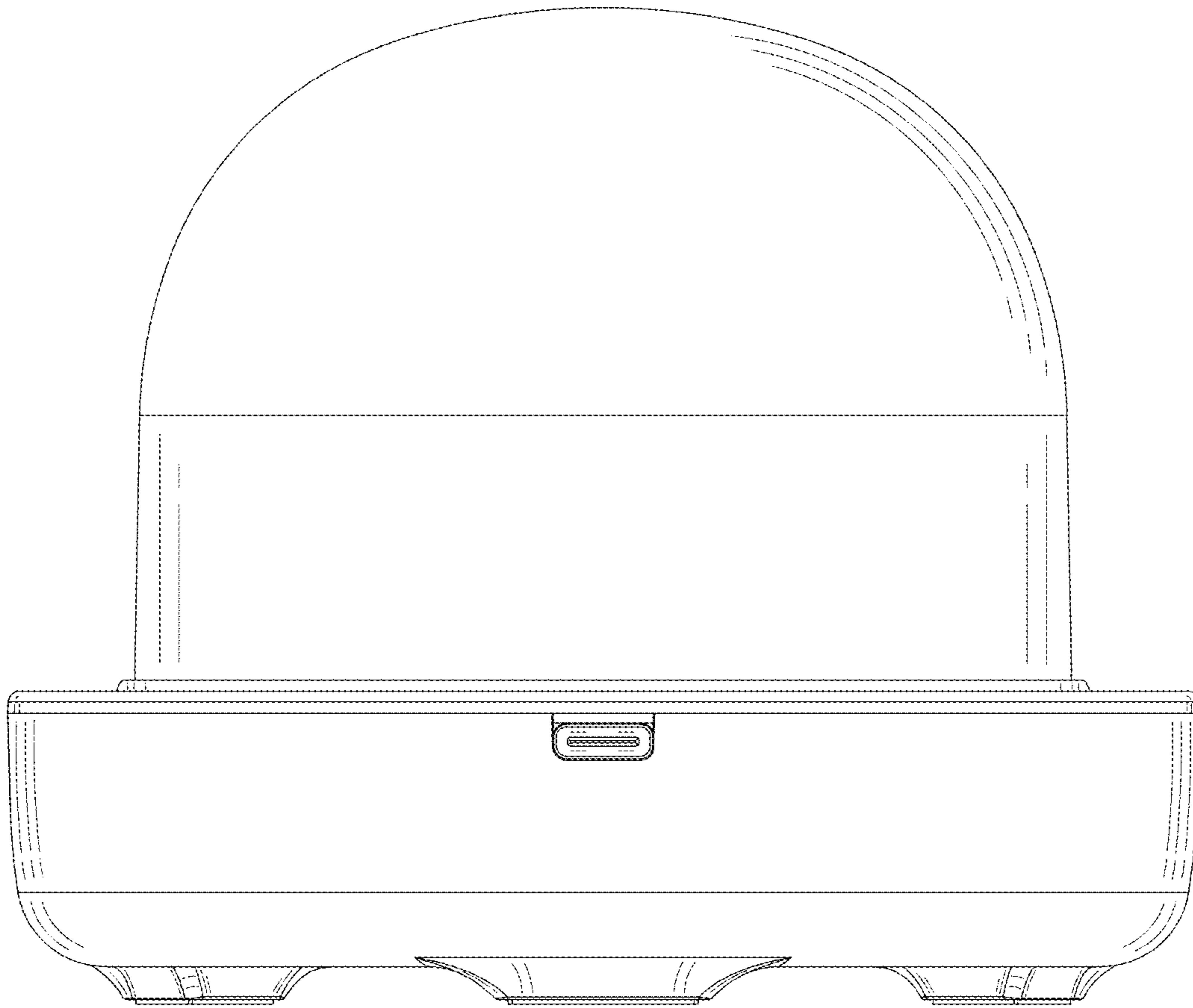


FIG. 2

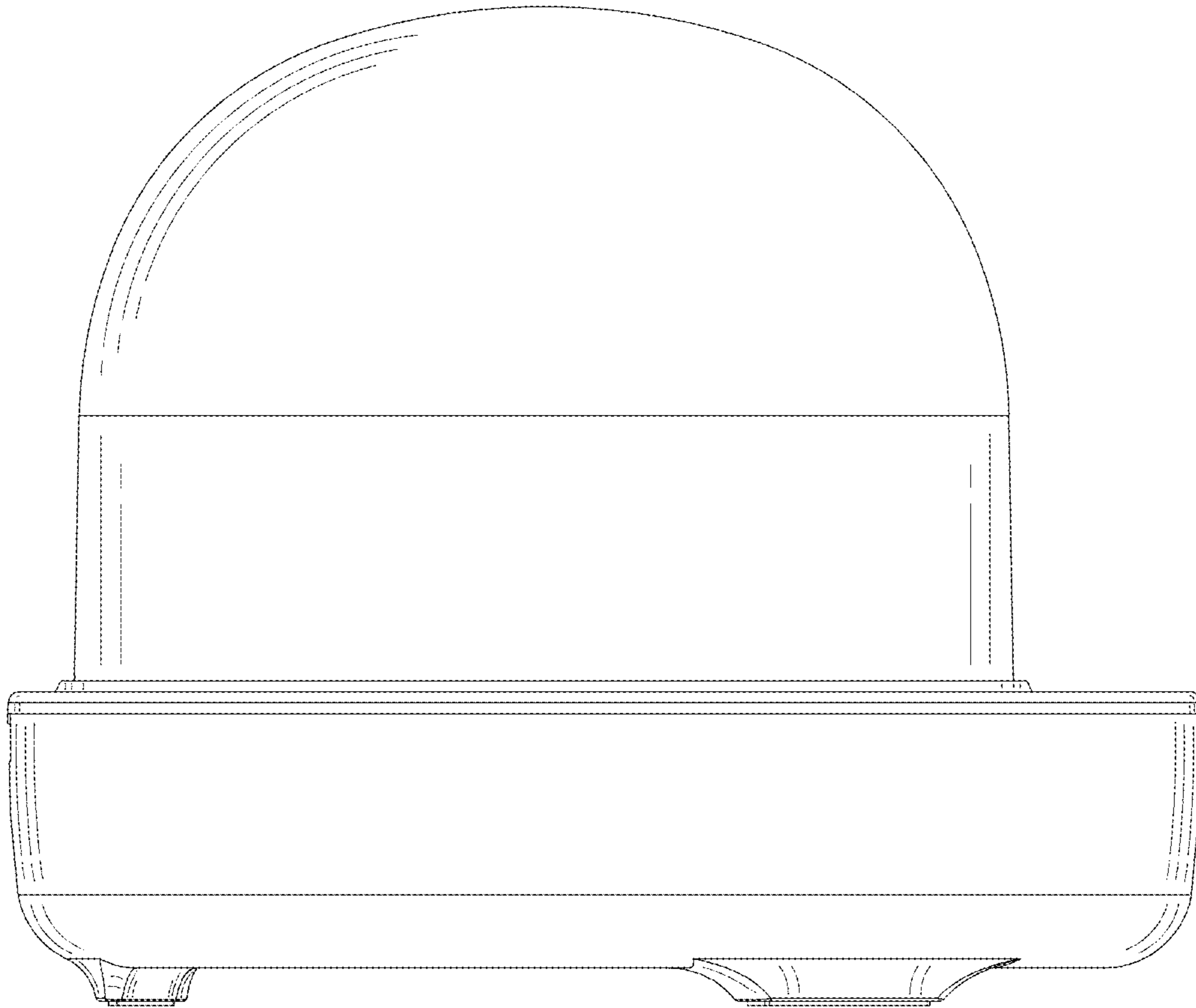


FIG. 3

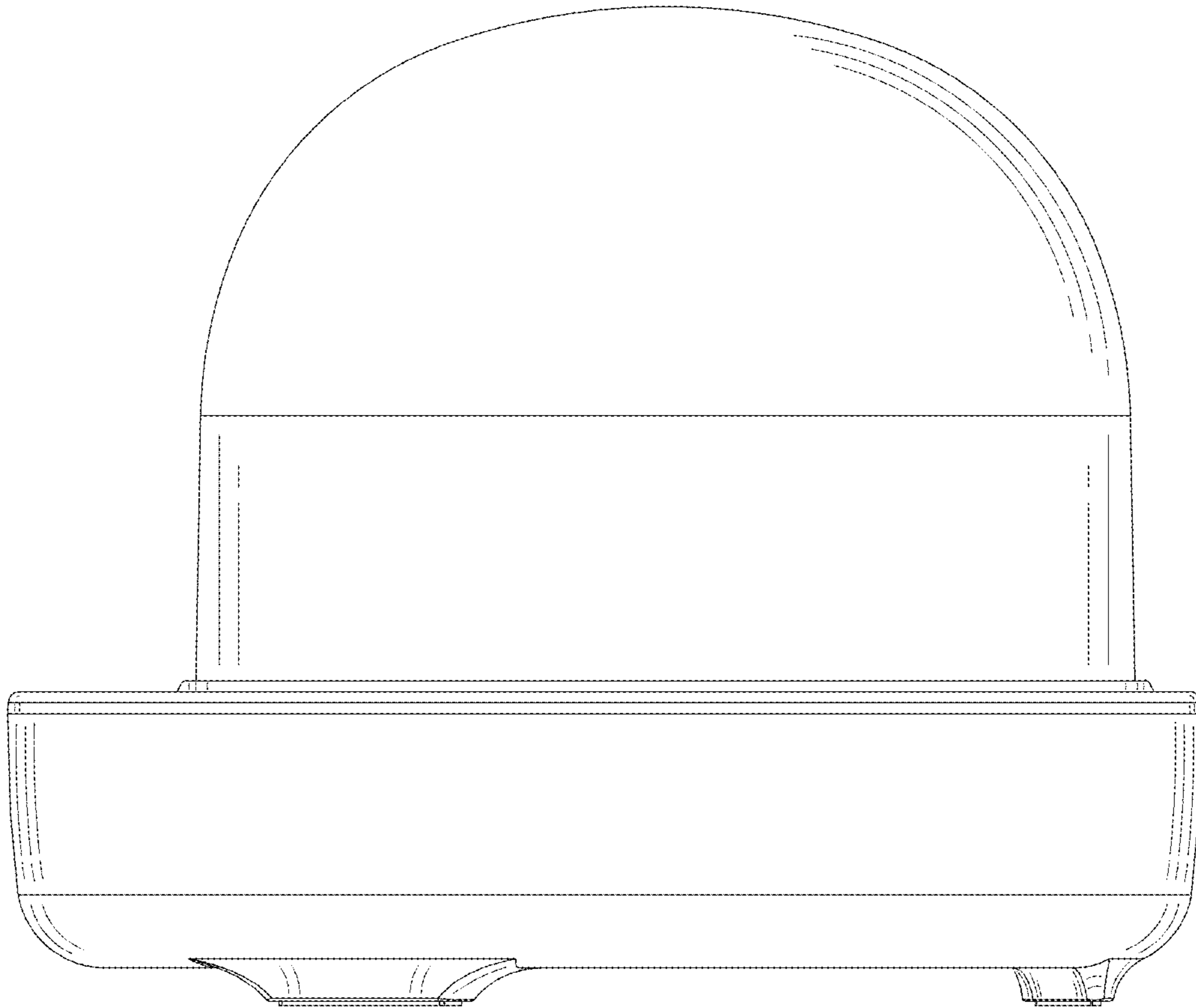


FIG. 4

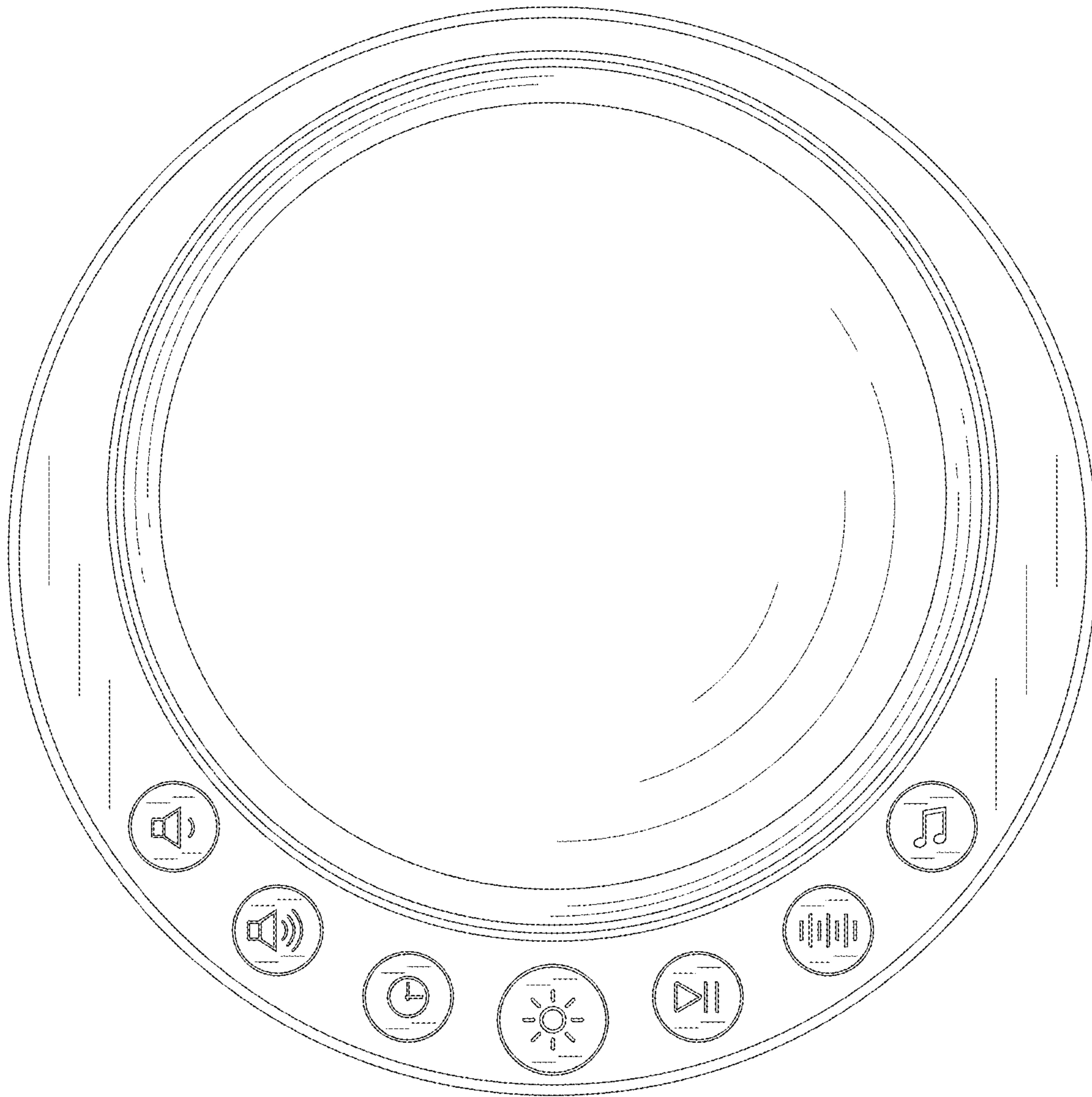


FIG. 5

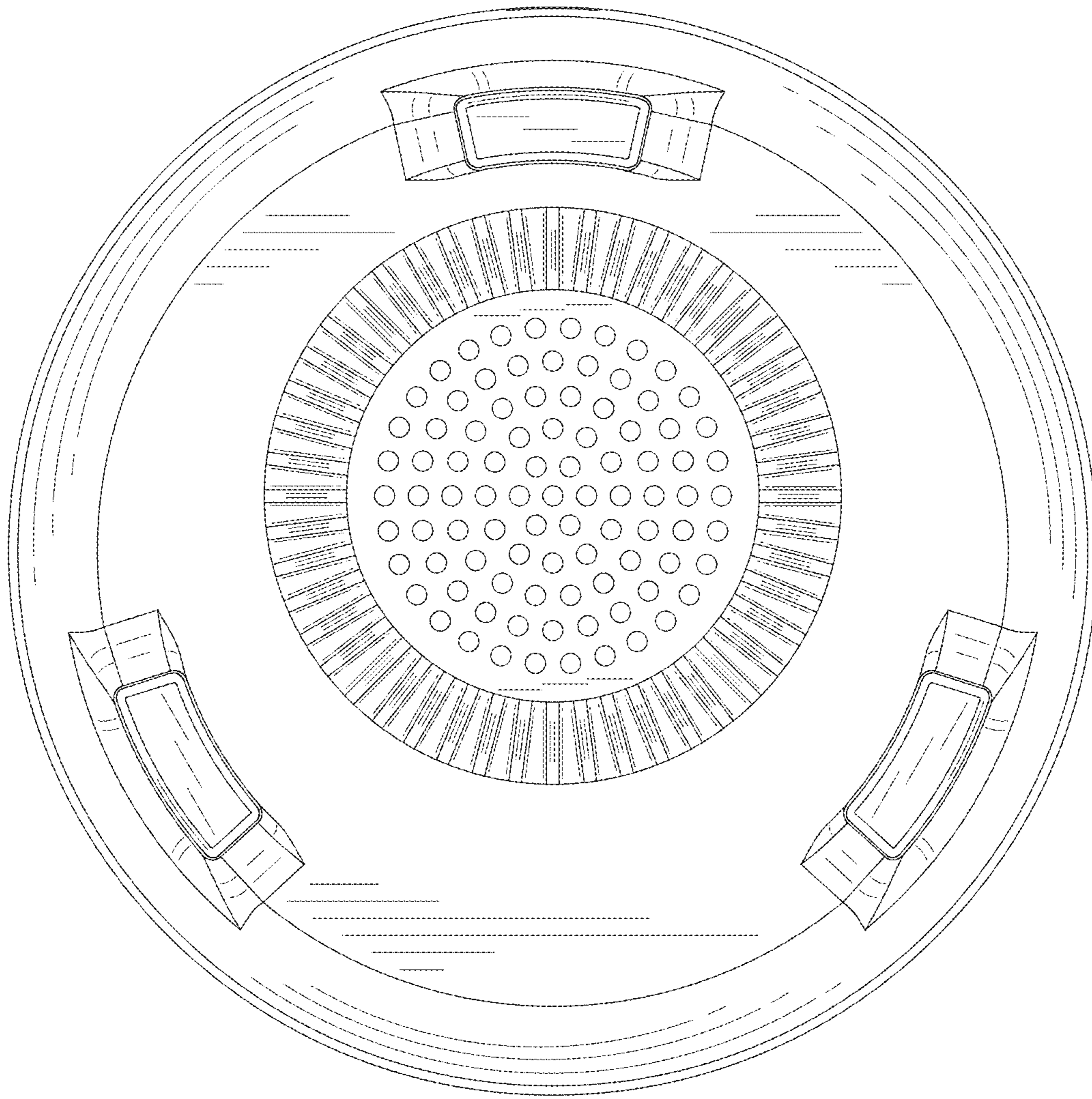


FIG. 6

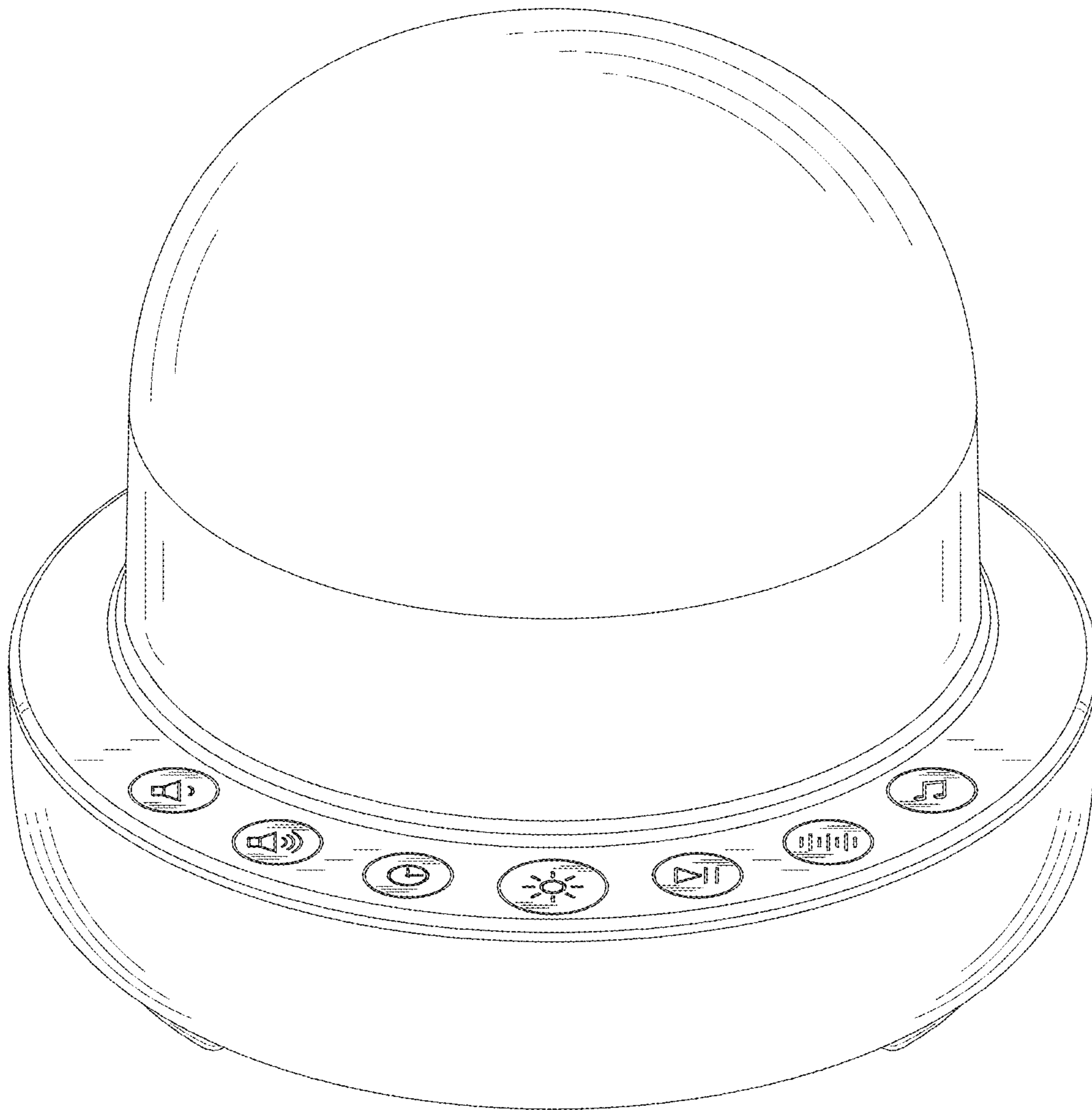


FIG. 7

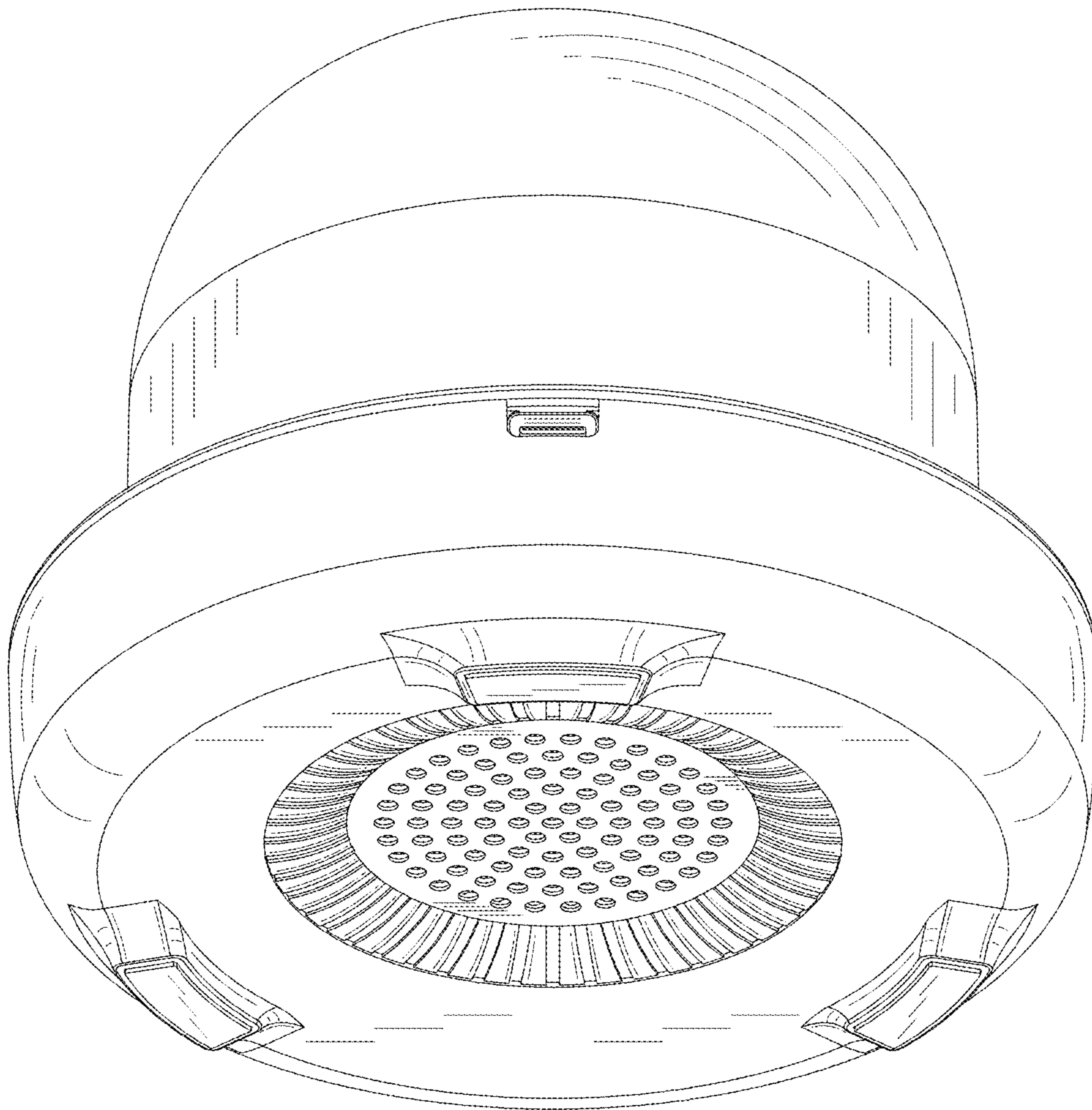


FIG. 8