



US00D985145S

(12) **United States Design Patent** (10) **Patent No.:** **US D985,145 S**  
**Zhang** (45) **Date of Patent:** **\*\* May 2, 2023**

(54) **MESSAGE GUN**  
(71) Applicant: **Sichuan Qianli-beoka Medical Technology Inc.**, Sichuan (CN)  
(72) Inventor: **Wen Zhang**, Chengdu (CN)  
(73) Assignee: **Sichuan Qianli-beoka Medical Technology Inc.**

D953,559 S \* 5/2022 He ..... D24/215  
D961,797 S \* 8/2022 Huang ..... D24/215  
D963,185 S \* 9/2022 Kong ..... D24/215  
D963,879 S \* 9/2022 Li ..... D24/215  
D964,585 S \* 9/2022 Tang ..... D24/215  
D965,167 S \* 9/2022 Yu ..... D24/215  
D965,808 S \* 10/2022 Jiang ..... D24/215  
D967,975 S \* 10/2022 Wersland ..... D24/215  
D967,976 S \* 10/2022 Wersland ..... D24/215  
D967,977 S \* 10/2022 Wersland ..... D24/215  
D967,979 S \* 10/2022 Wersland ..... D24/215

(\*\*) Term: **15 Years**

(21) Appl. No.: **29/800,294**

(22) Filed: **Jul. 20, 2021**

(30) **Foreign Application Priority Data**

Jan. 25, 2021 (CN) ..... 202130053725.8

(51) **LOC (14) Cl.** ..... **24-01**

(52) **U.S. Cl.**  
USPC ..... **D24/215**

(58) **Field of Classification Search**  
USPC ..... D24/200, 211, 212, 213, 214, 215;  
D8/14.1; D28/13  
CPC ..... A61H 23/006; A61H 2201/0153; A61H  
2201/0157; A61H 2201/0165; A61H  
15/0085; A61H 7/005; A61H 23/00;  
A61H 7/00; A61H 7/003; A61H 2023/002  
See application file for complete search history.

(56) **References Cited**

**U.S. PATENT DOCUMENTS**

D918,411 S \* 5/2021 Xu ..... D24/215  
D920,531 S \* 5/2021 Xu ..... D24/215  
D924,424 S \* 7/2021 Wang ..... D24/215  
D932,045 S \* 9/2021 Shen ..... D24/215  
D945,005 S \* 3/2022 Gao ..... D24/215  
D949,400 S \* 4/2022 Wersland ..... D24/215  
D949,411 S \* 4/2022 Chen ..... D24/215  
D949,412 S \* 4/2022 Chen ..... D24/215  
D953,556 S \* 5/2022 Marton ..... D24/215

**OTHER PUBLICATIONS**

Amazon, Foldable Massage Gun, Date First Available: Aug. 30, 2021. [https://www.amazon.com/fengjier-Foldable-Portable-Handheld-Percussion/dp/B09DYLS96L/ref=cm\\_cr\\_arp\\_d\\_product\\_top?ie=UTF8](https://www.amazon.com/fengjier-Foldable-Portable-Handheld-Percussion/dp/B09DYLS96L/ref=cm_cr_arp_d_product_top?ie=UTF8) (Year: 2021).\*

\* cited by examiner

*Primary Examiner* — Michael A Maharajh

(74) *Attorney, Agent, or Firm* — Timothy T. Wang; Ni, Wang & Massand, PLLC

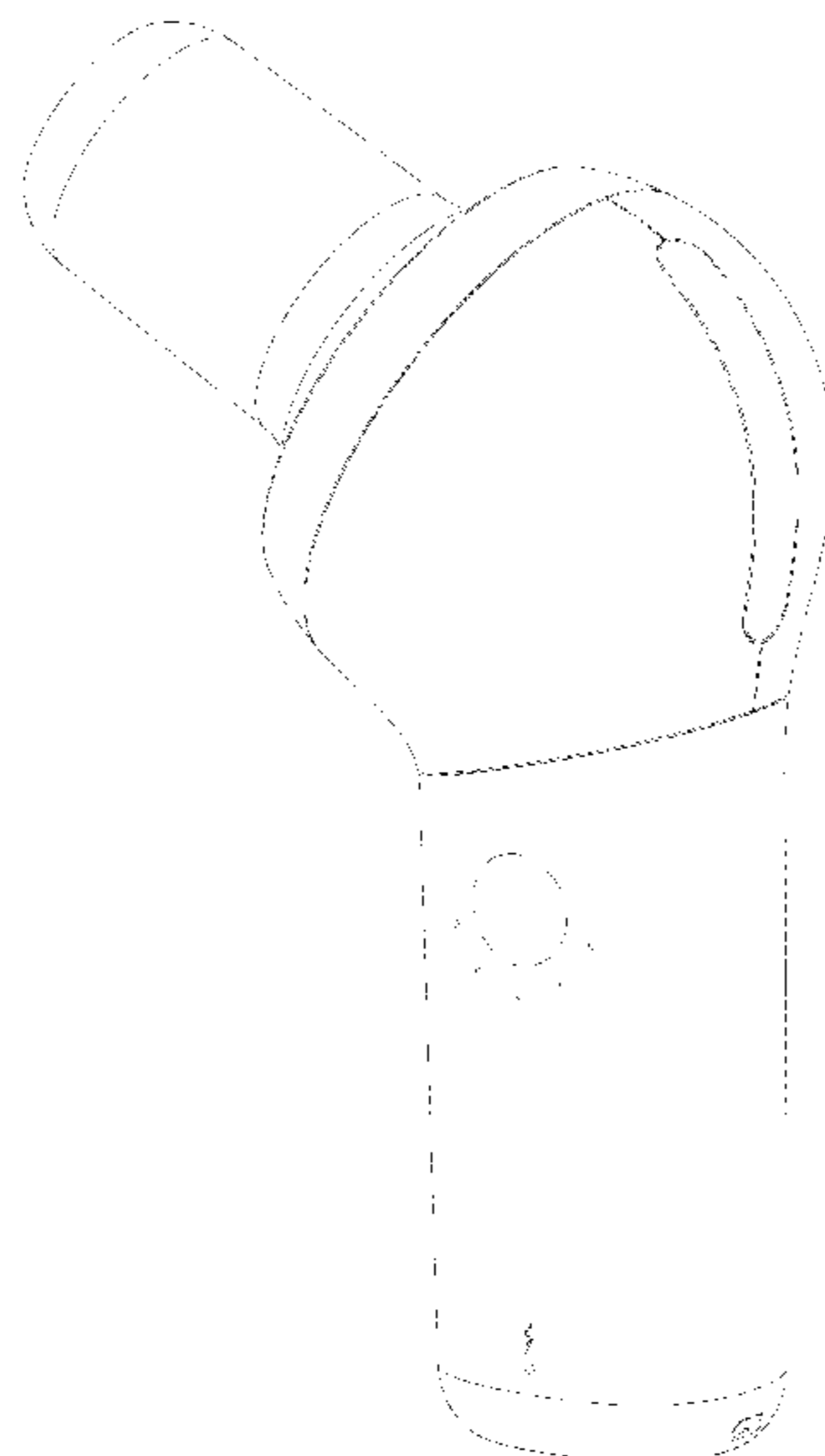
(57) **CLAIM**

The ornamental design for a massage gun, as shown and described.

**DESCRIPTION**

FIG. 1 is a front perspective view of a massage gun showing my new design;  
FIG. 2 is a right elevational view thereof;  
FIG. 3 is a left elevational view thereof;  
FIG. 4 is a front devotional view thereof;  
FIG. 5 is a back elevational view thereof;  
FIG. 6 is a top plan view thereof; and,  
FIG. 7 is a bottom plan view thereof.  
The broken lines shown in the figures are for the purpose of illustrating portions of the massage gun, which form no part of the claimed design.

**1 Claim, 7 Drawing Sheets**



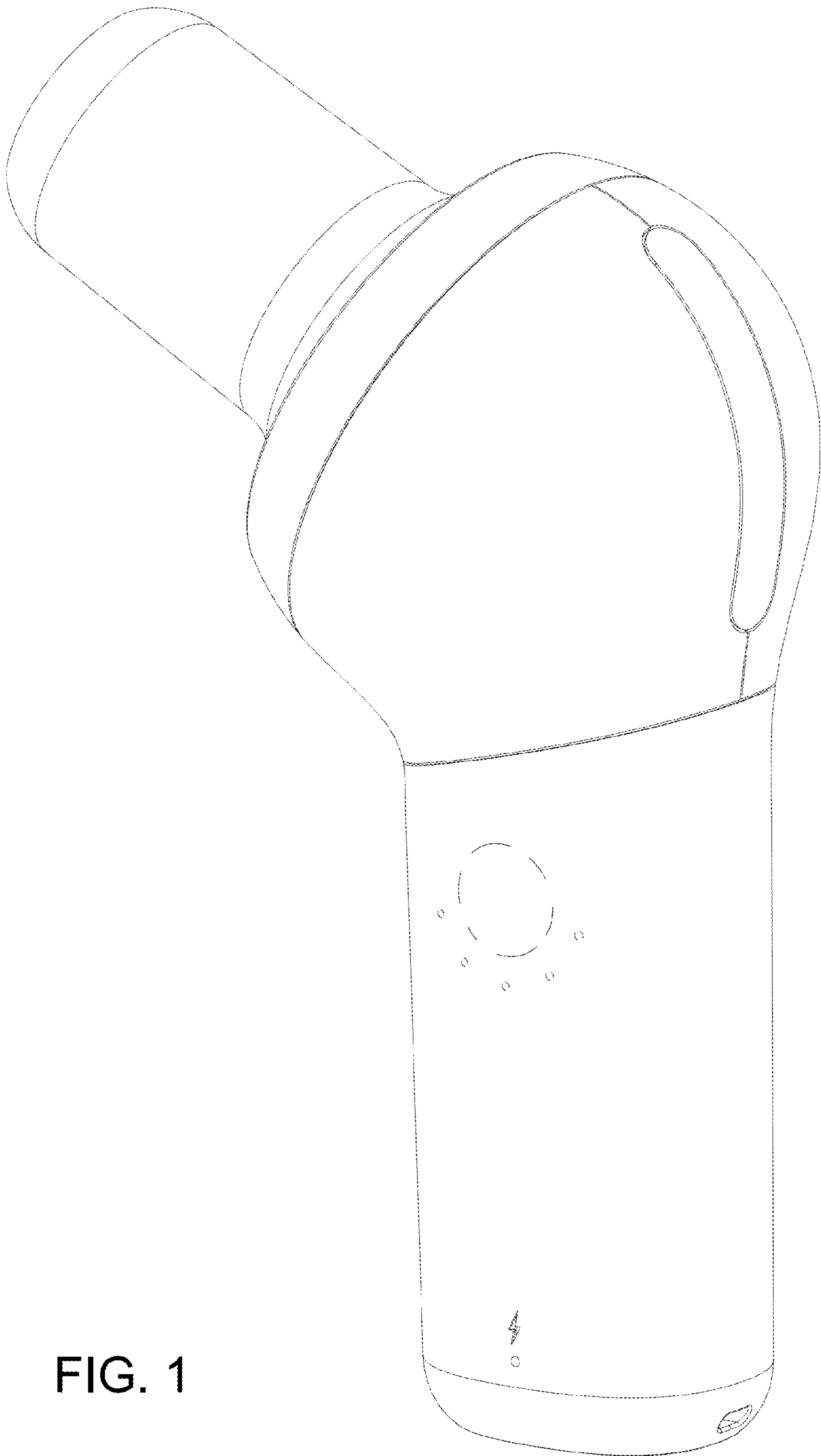


FIG. 1

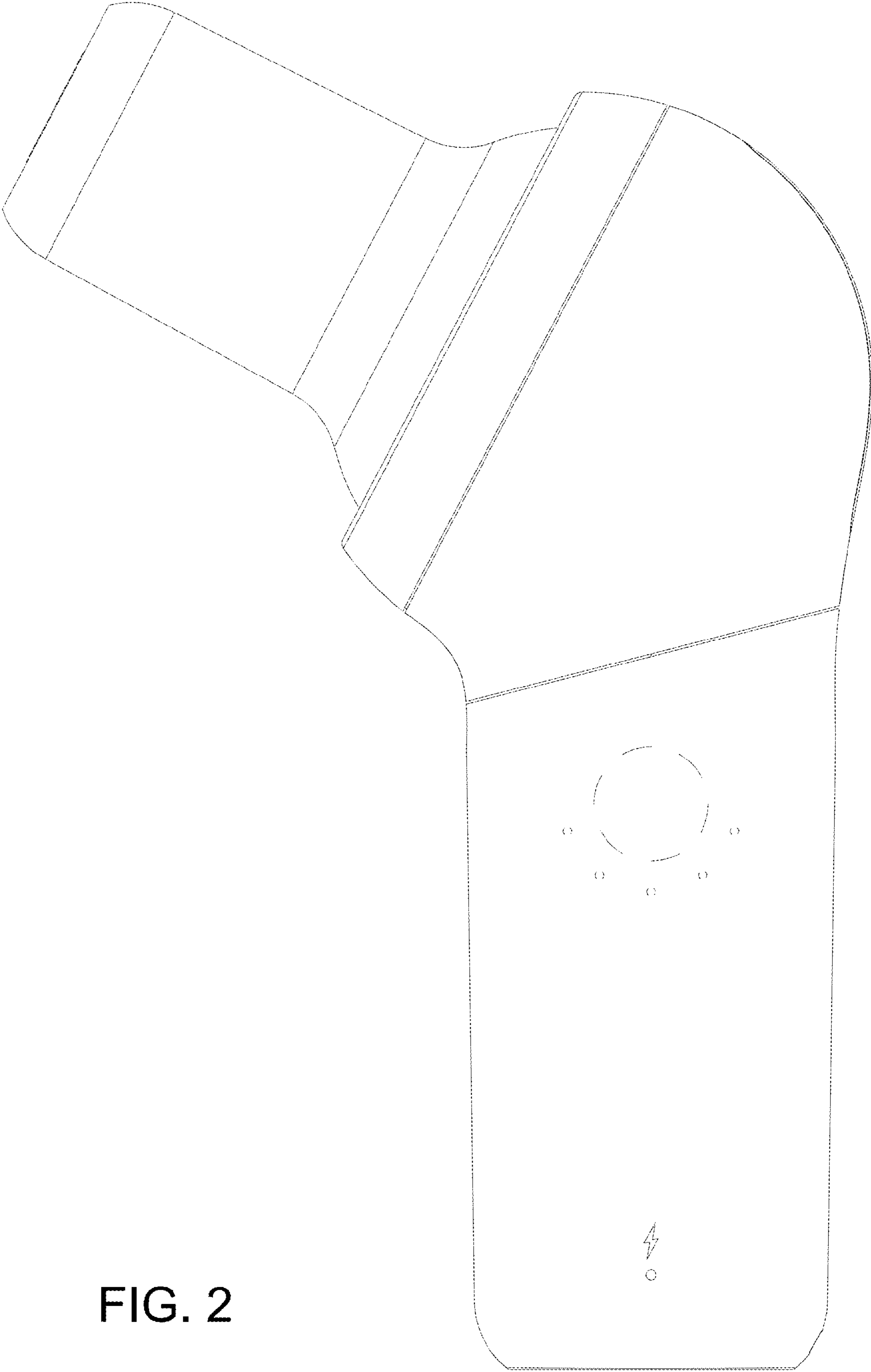


FIG. 2

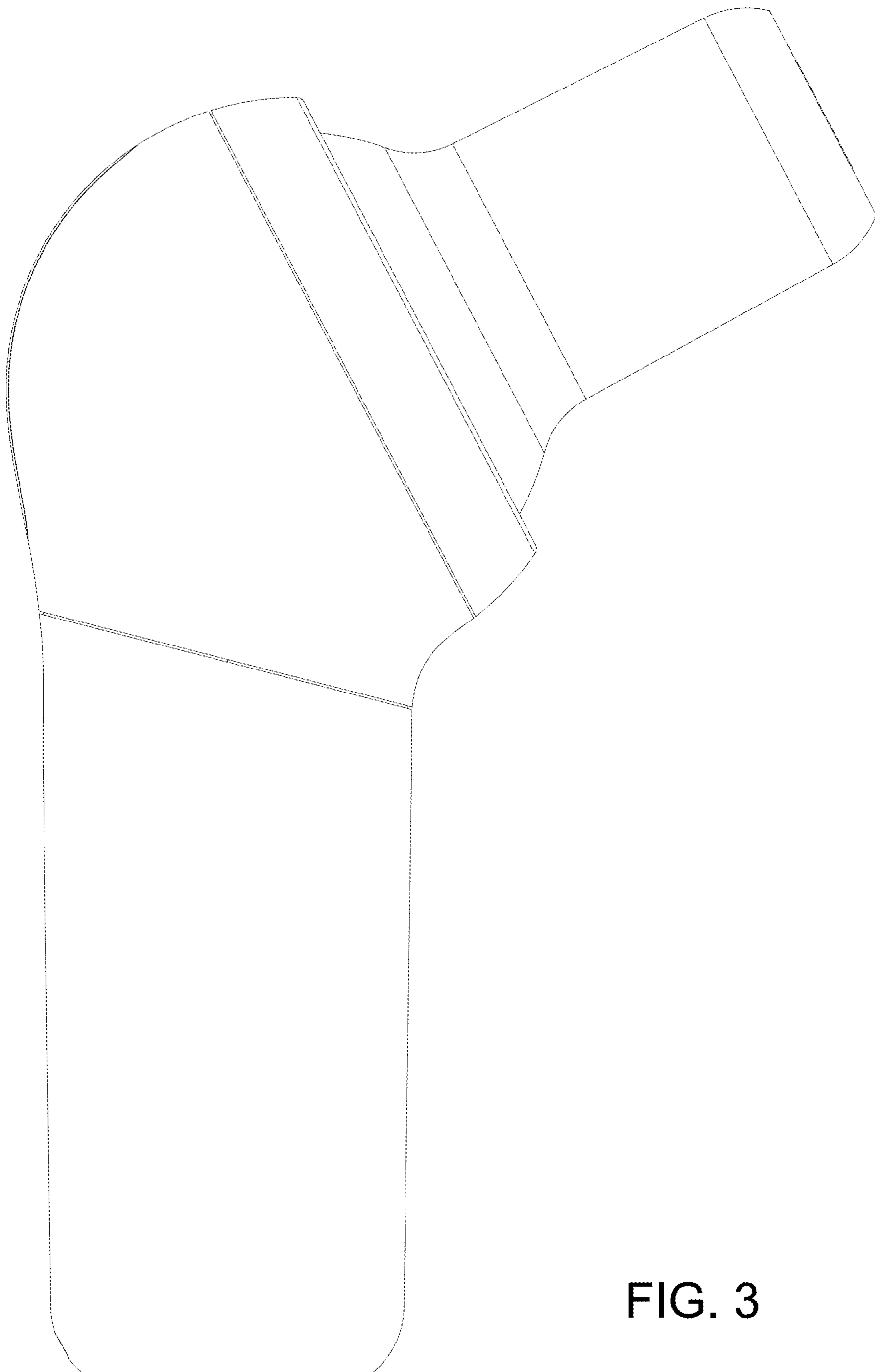


FIG. 3

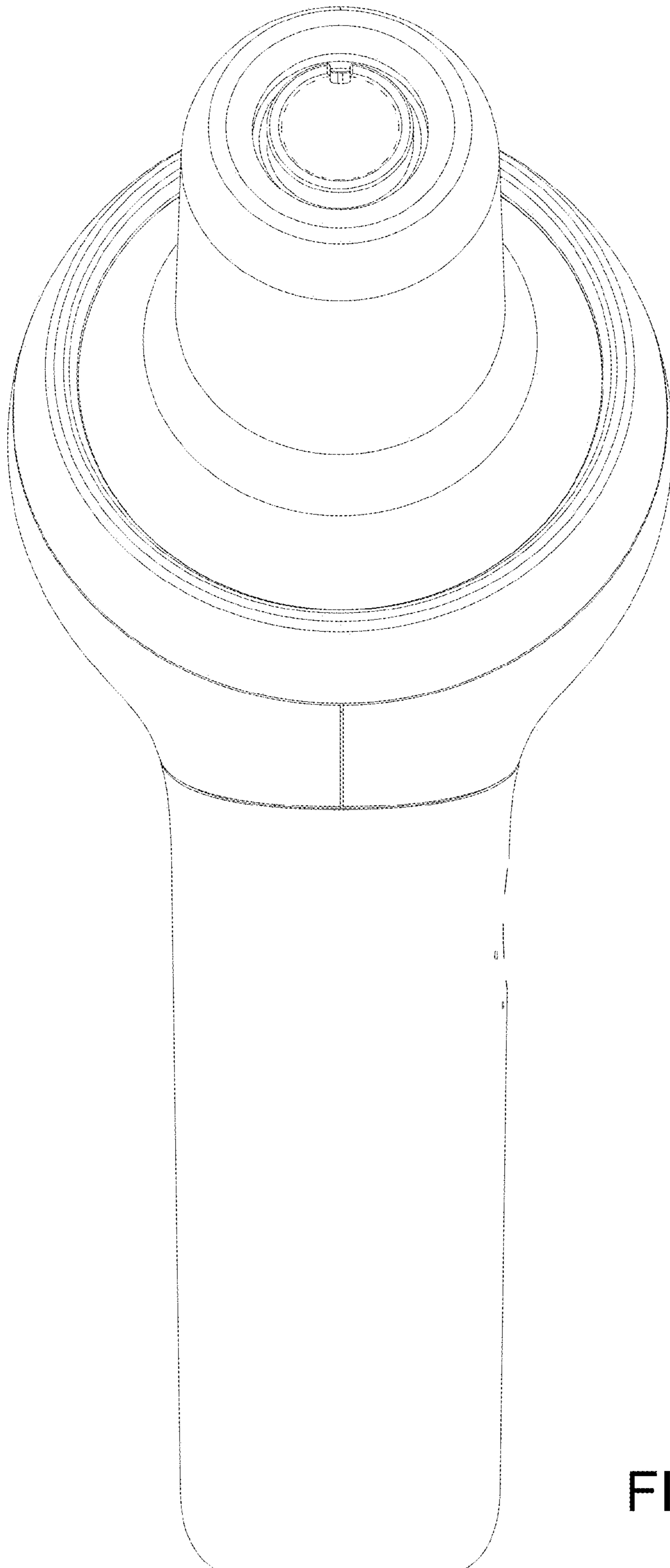


FIG. 4

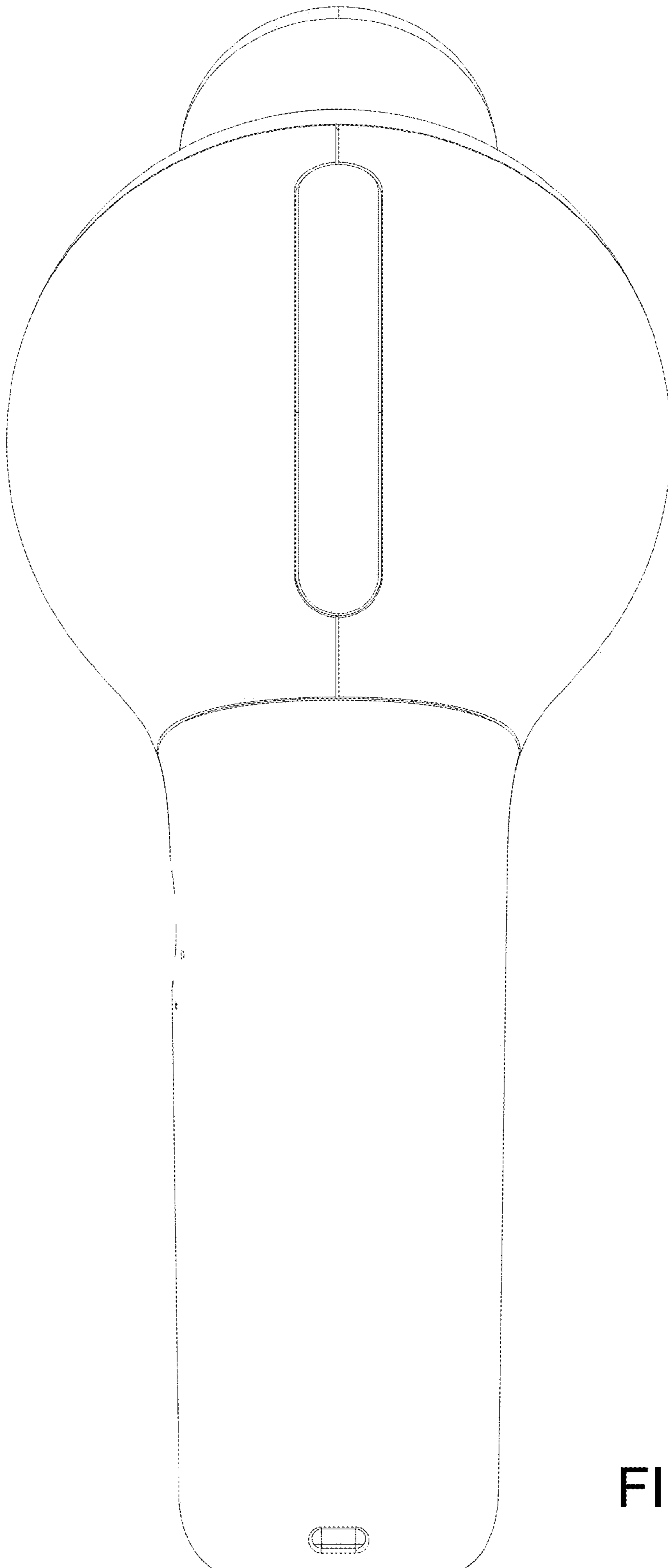


FIG. 5

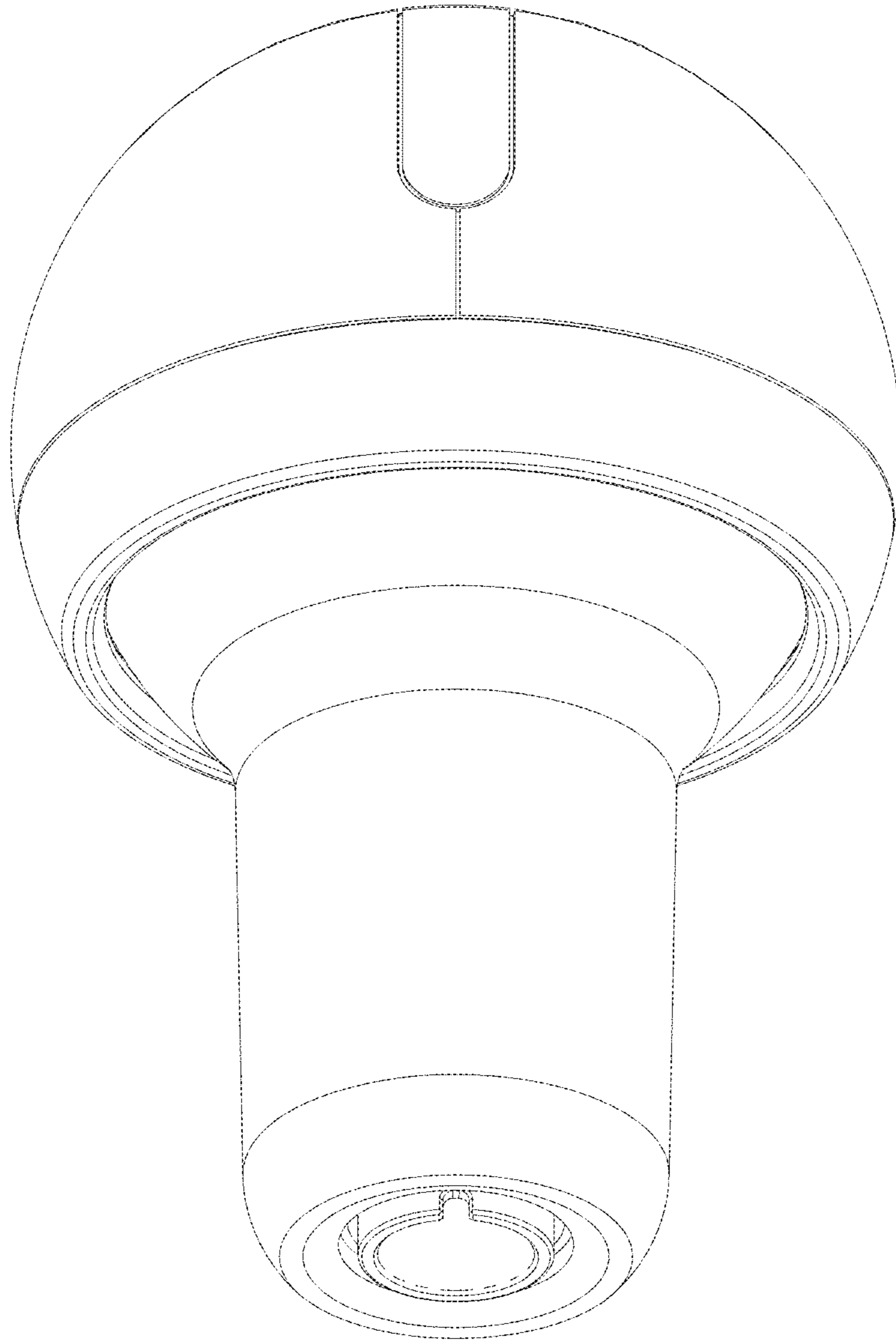


FIG. 6

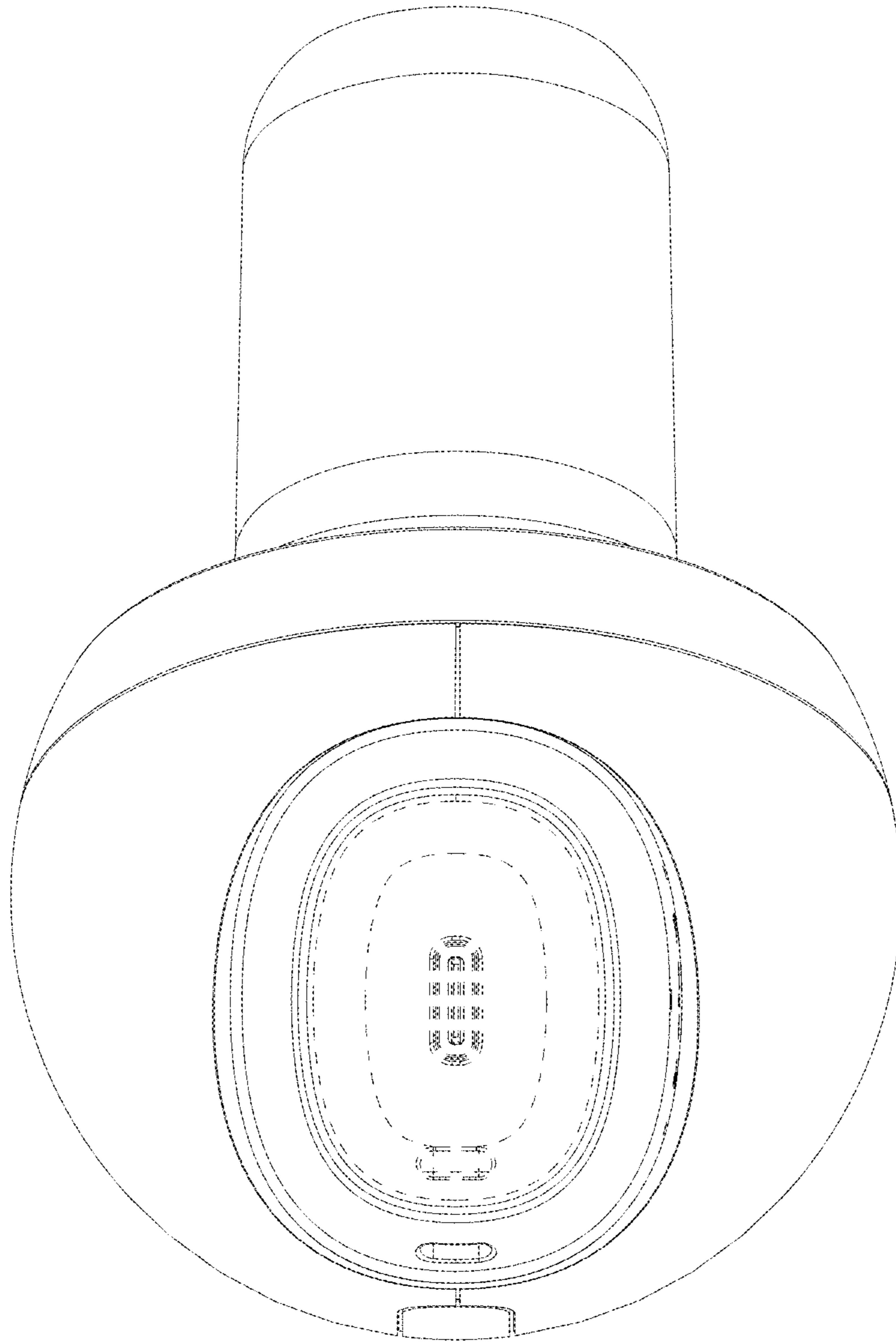


FIG. 7