



US00D985143S

(12) **United States Design Patent**  
**Zhang**

(10) **Patent No.:** **US D985,143 S**

(45) **Date of Patent:** **\*\* May 2, 2023**

(54) **MESSAGE HEAD OF MESSAGE APPARATUS**

(71) Applicant: **Sichuan Qianli-beoka Medical Technology Inc., Sichuan (CN)**

(72) Inventor: **Wen Zhang, Chengdu (CN)**

(73) Assignee: **SICHUAN QIANLI-BEOKA MEDICAL TECHNOLOGY INC.**

(\*\*) Term: **15 Years**

(21) Appl. No.: **29/779,448**

(22) Filed: **Apr. 19, 2021**

(30) **Foreign Application Priority Data**

Oct. 19, 2020 (CN) ..... 202030619182.7

(51) **LOC (14) Cl.** ..... **24-01**

(52) **U.S. Cl.**  
USPC ..... **D24/215**

(58) **Field of Classification Search**  
USPC ..... D24/200, 211, 212, 213, 214, 215;  
D26/113, 154; D8/300; D9/434, 443;  
D11/181

CPC ..... A61H 2015/0014; A61H 7/007; A61H 23/006; A61H 2015/0042; A61H 33/6089  
See application file for complete search history.

(56) **References Cited**

**U.S. PATENT DOCUMENTS**

D334,332 S \* 3/1993 Massey ..... D8/312  
D471,400 S \* 3/2003 Jeter ..... D7/396.1  
D820,992 S \* 6/2018 King ..... D8/354  
D837,395 S \* 1/2019 Gan ..... D24/214  
D865,987 S \* 11/2019 Jacobs ..... D24/214  
D872,295 S \* 1/2020 Friedman ..... D24/215  
D910,870 S \* 2/2021 Marton ..... D24/215

D914,477 S \* 3/2021 Watson ..... D8/310  
D931,492 S \* 9/2021 Li ..... D24/215  
D949,366 S \* 4/2022 Li ..... D24/211  
D949,418 S \* 4/2022 Khubani ..... D24/215  
D952,878 S \* 5/2022 Lin ..... D24/211  
D961,795 S \* 8/2022 Zhao ..... D24/215

**OTHER PUBLICATIONS**

Amazon, "Massage Gun Heads", Date First Available: Mar. 1, 2021.  
<https://www.amazon.com/Massage-Heads%EF%BC%8CPCS-Plug-n-Play-Applicators-Attachments/dp/B083Q87NDV> (Year: 2021).\*

\* cited by examiner

*Primary Examiner* — Michael A Maharajh

(74) *Attorney, Agent, or Firm* — Timothy T. Wang; Ni, Wang & Massand, PLLC

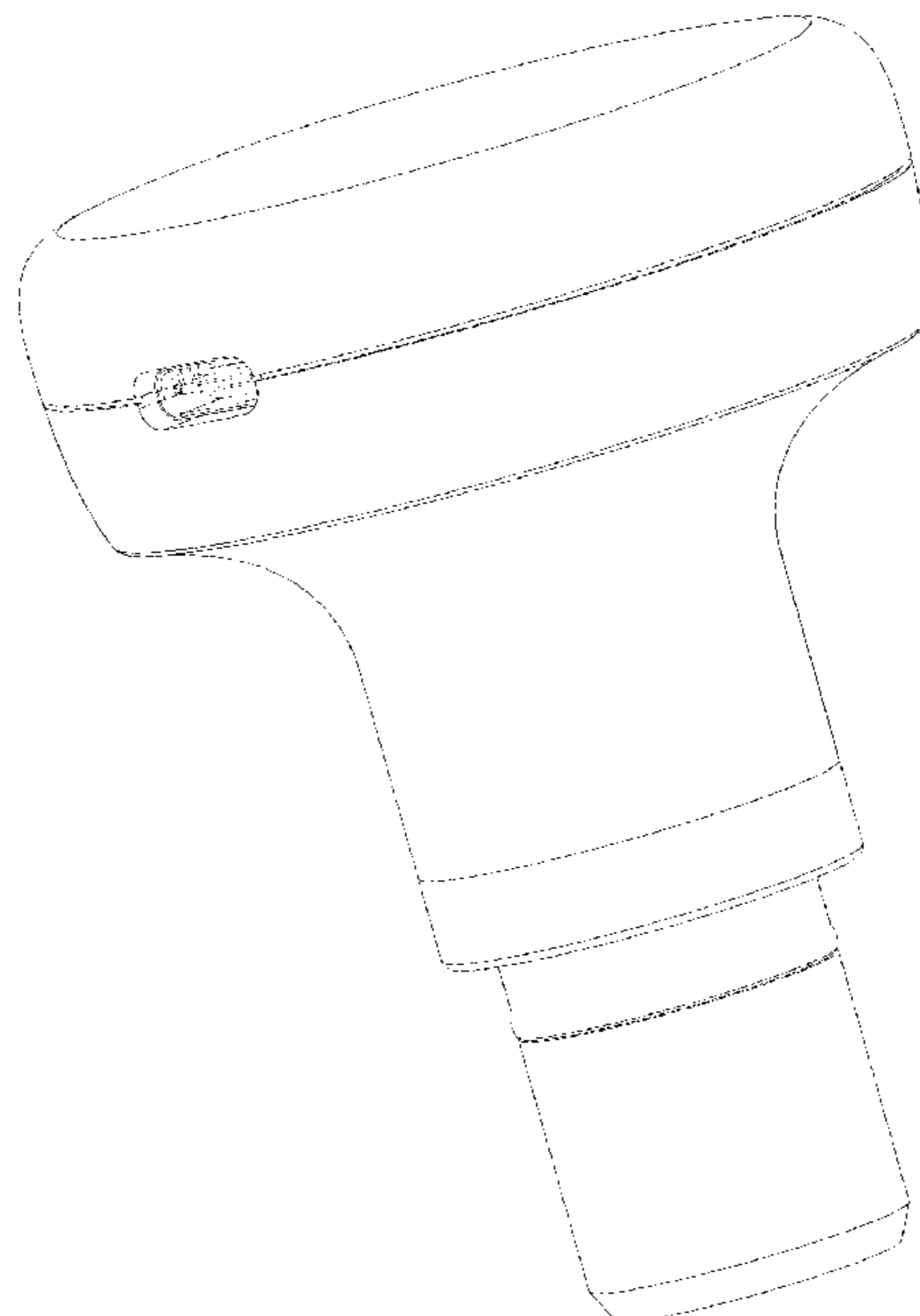
(57) **CLAIM**

The ornamental design for a massage head of massage apparatus, as shown and described.

**DESCRIPTION**

FIG. 1 is a front perspective view of a massage head of massage apparatus showing my new design;  
FIG. 2 a front elevational view thereof;  
FIG. 3 is a back elevational view thereof;  
FIG. 4 is a right-side elevational view thereof;  
FIG. 5 is a left-side elevational view thereof;  
FIG. 6 is a top plan view thereof; and,  
FIG. 7 is a bottom plan view thereof.  
The broken lines shown in the figures are for the purpose of illustrating portions of the massage head of massage apparatus, which form no part of the claimed design.

**1 Claim, 7 Drawing Sheets**



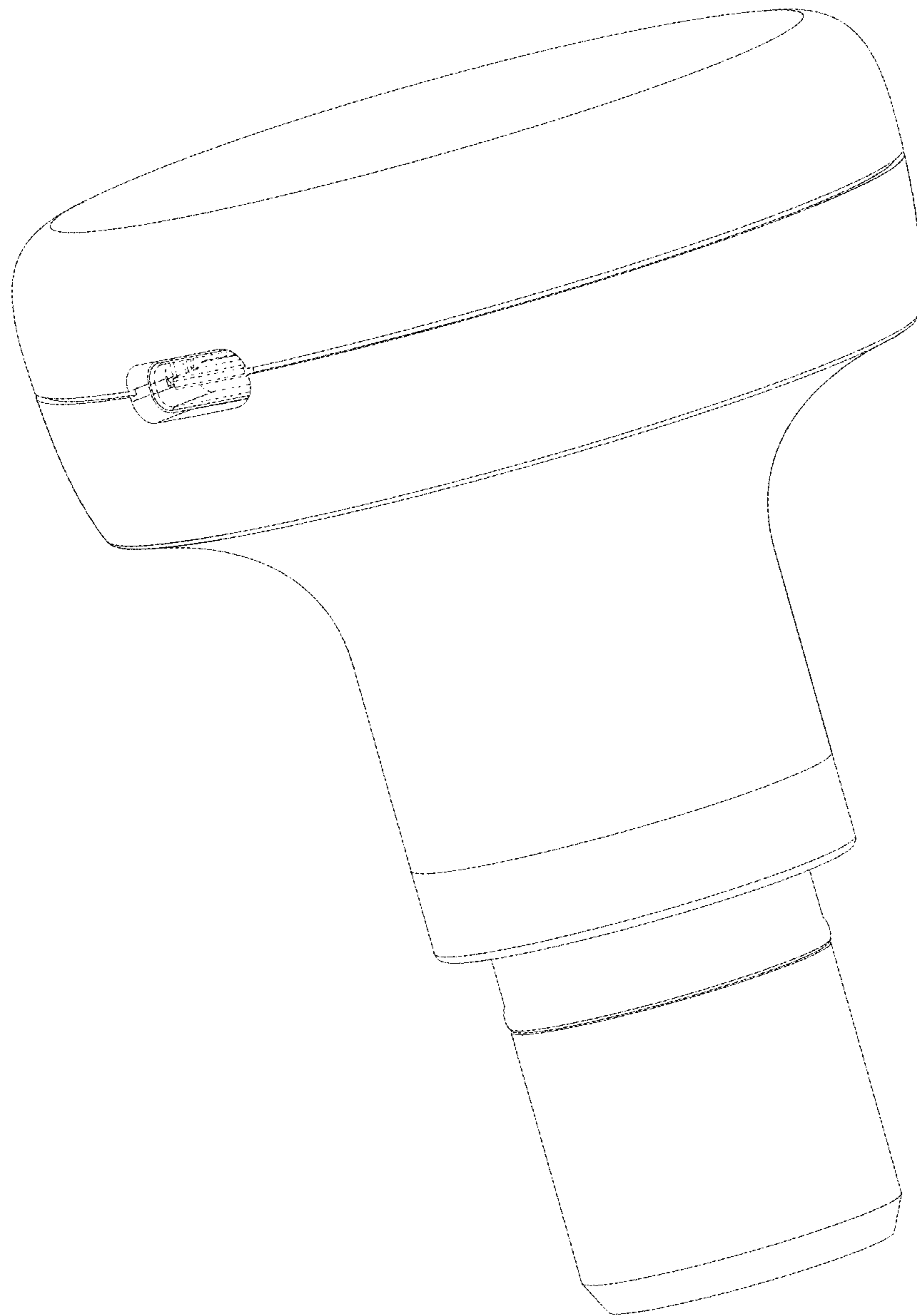


FIG. 1

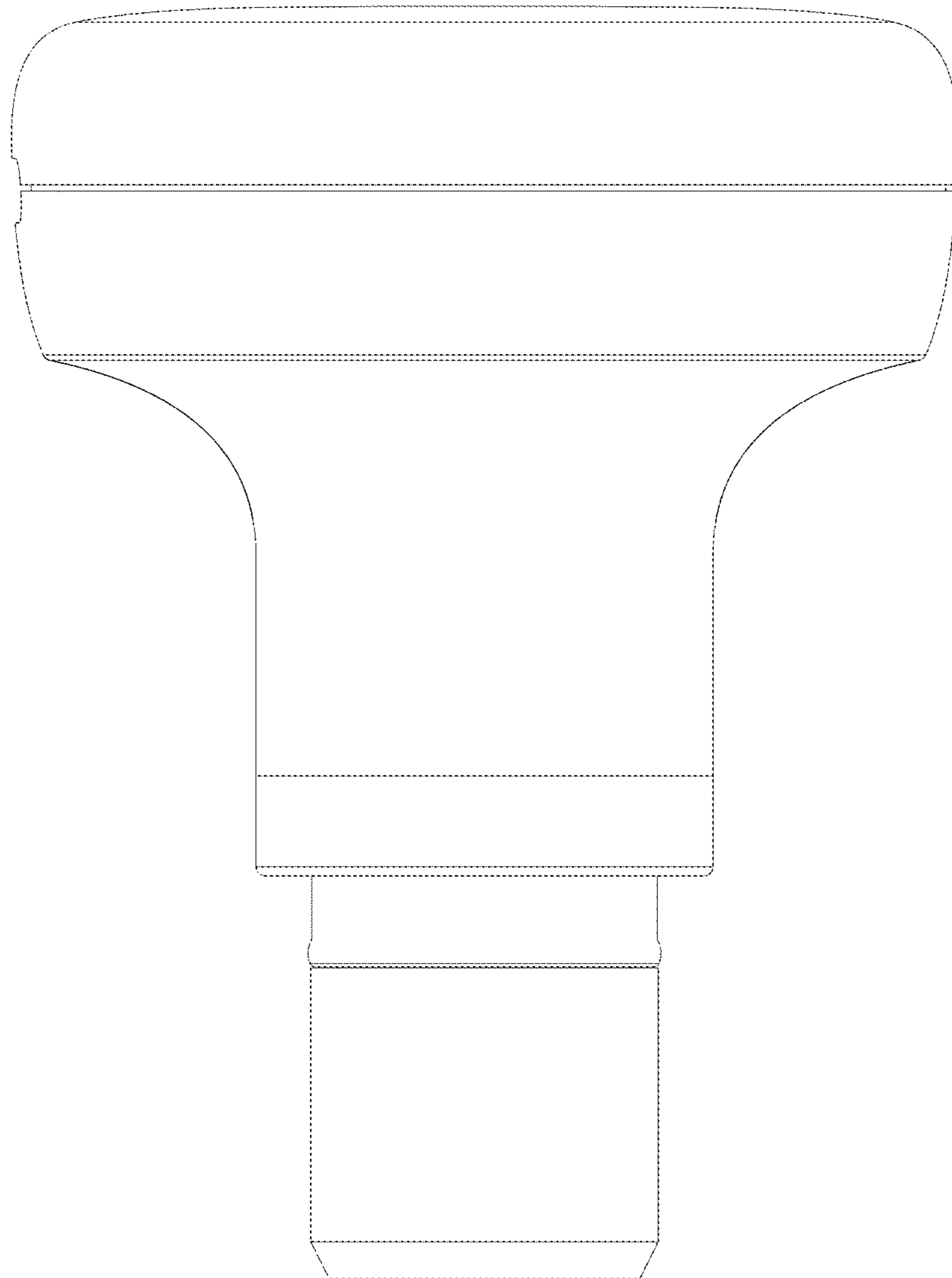


FIG. 2

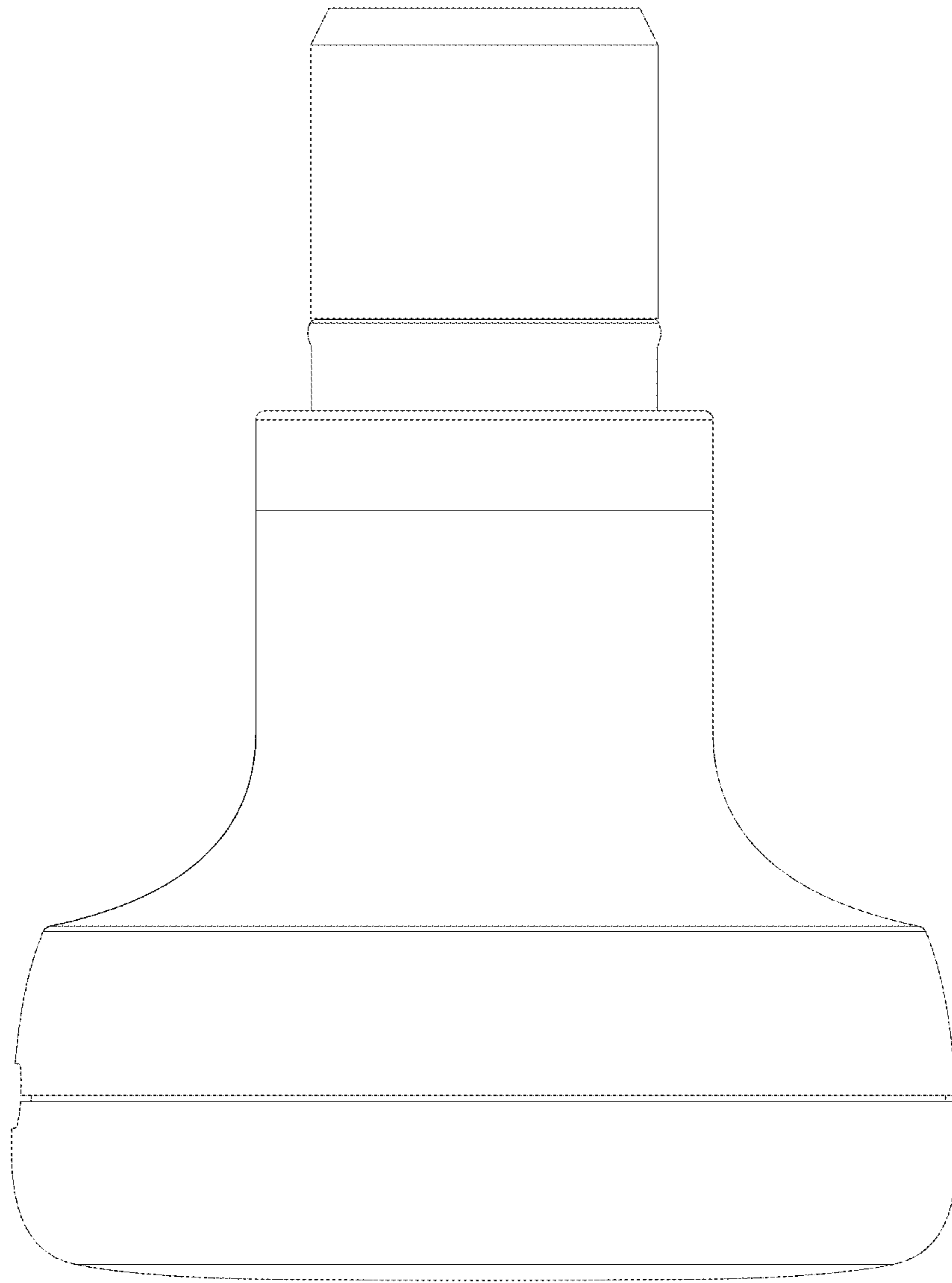


FIG. 3

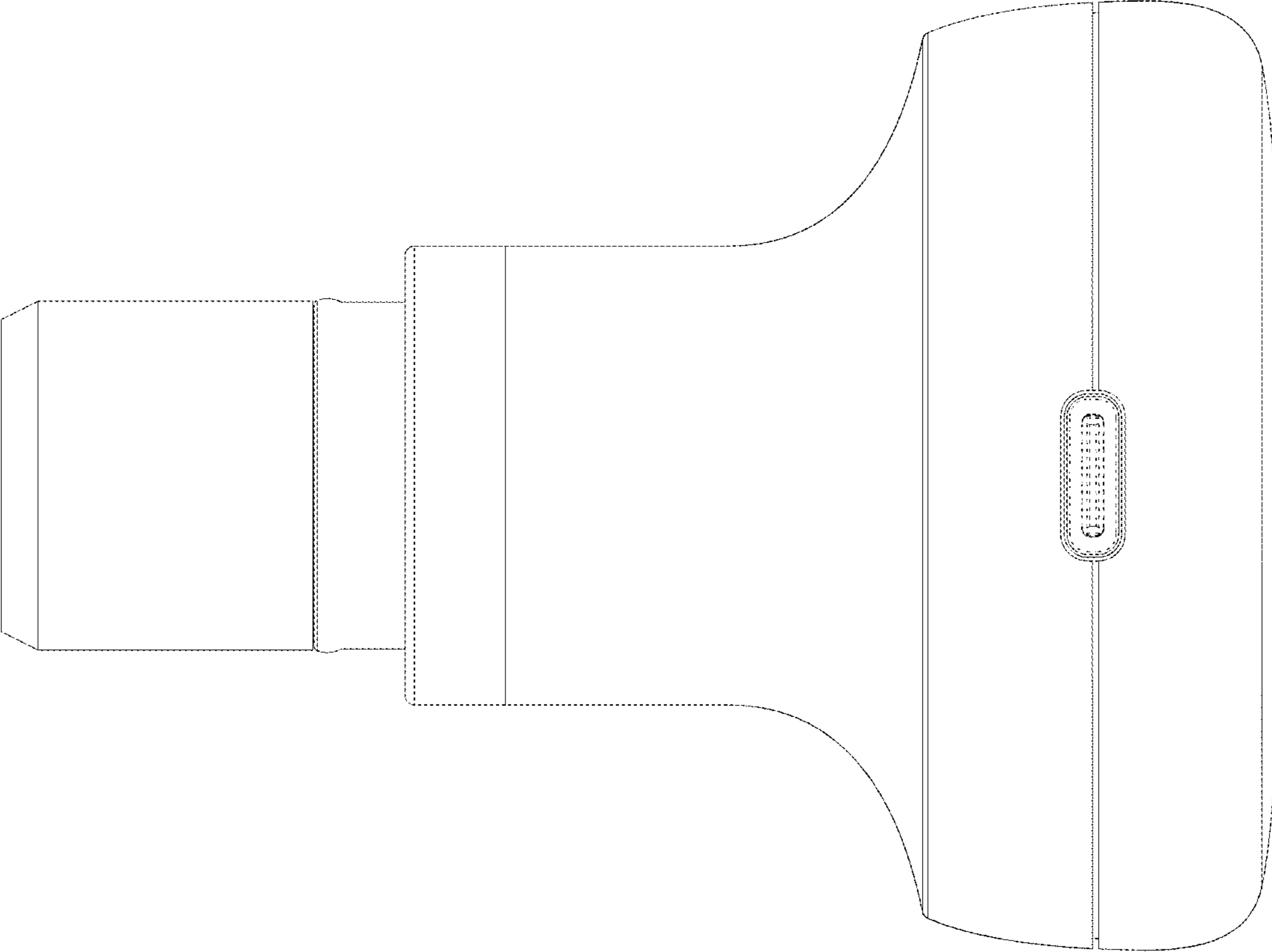


FIG. 4

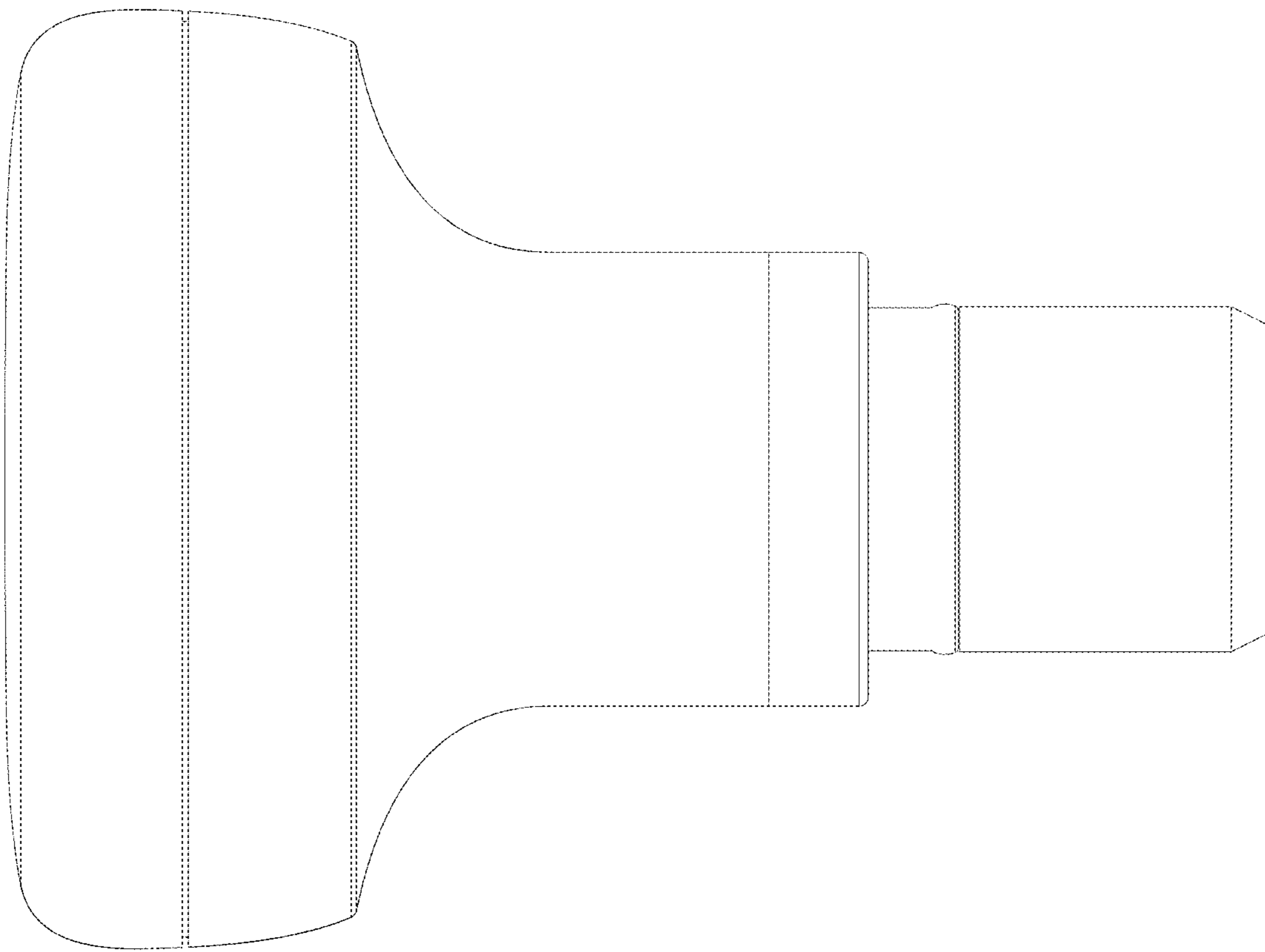


FIG. 5

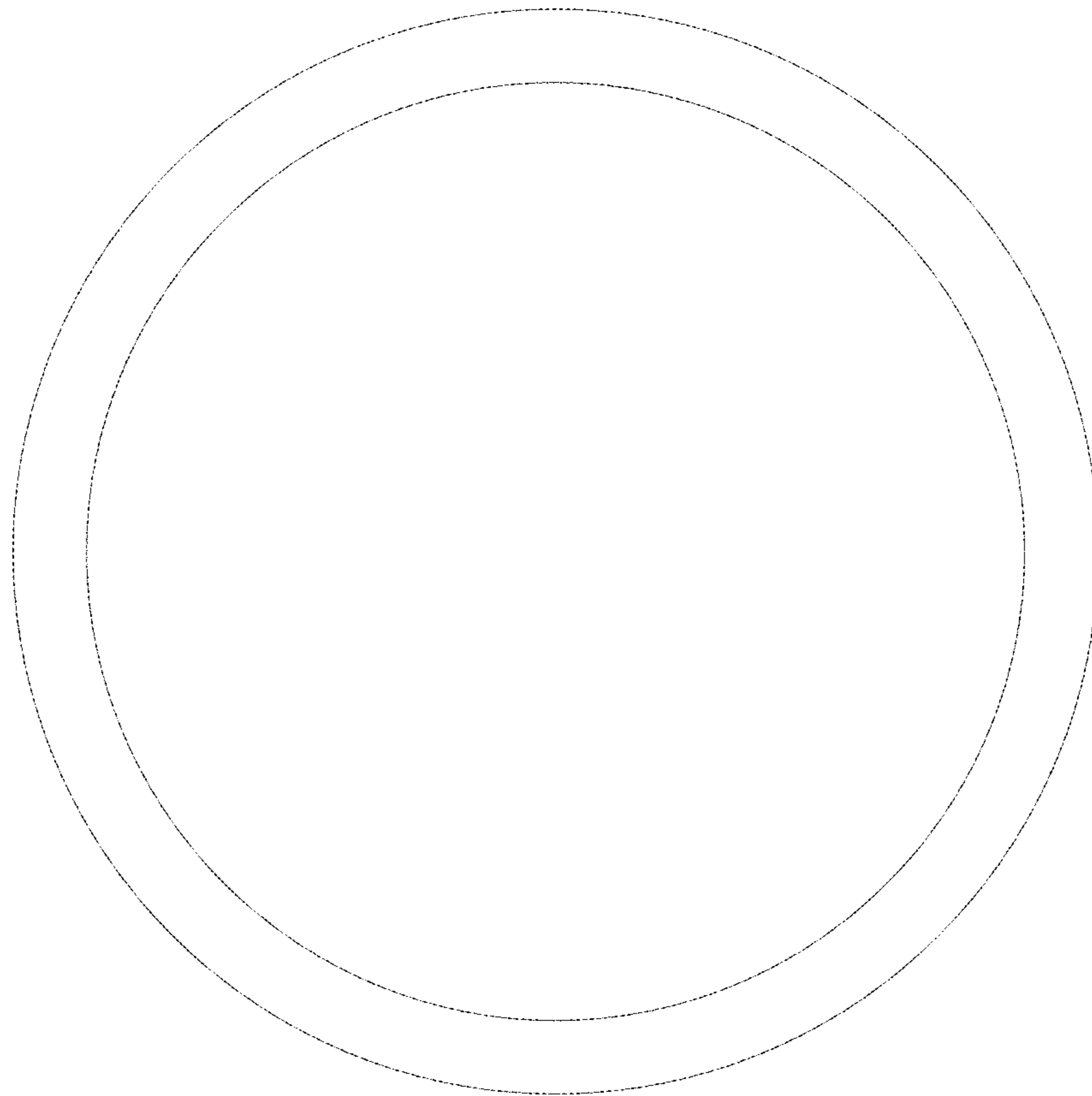


FIG. 6

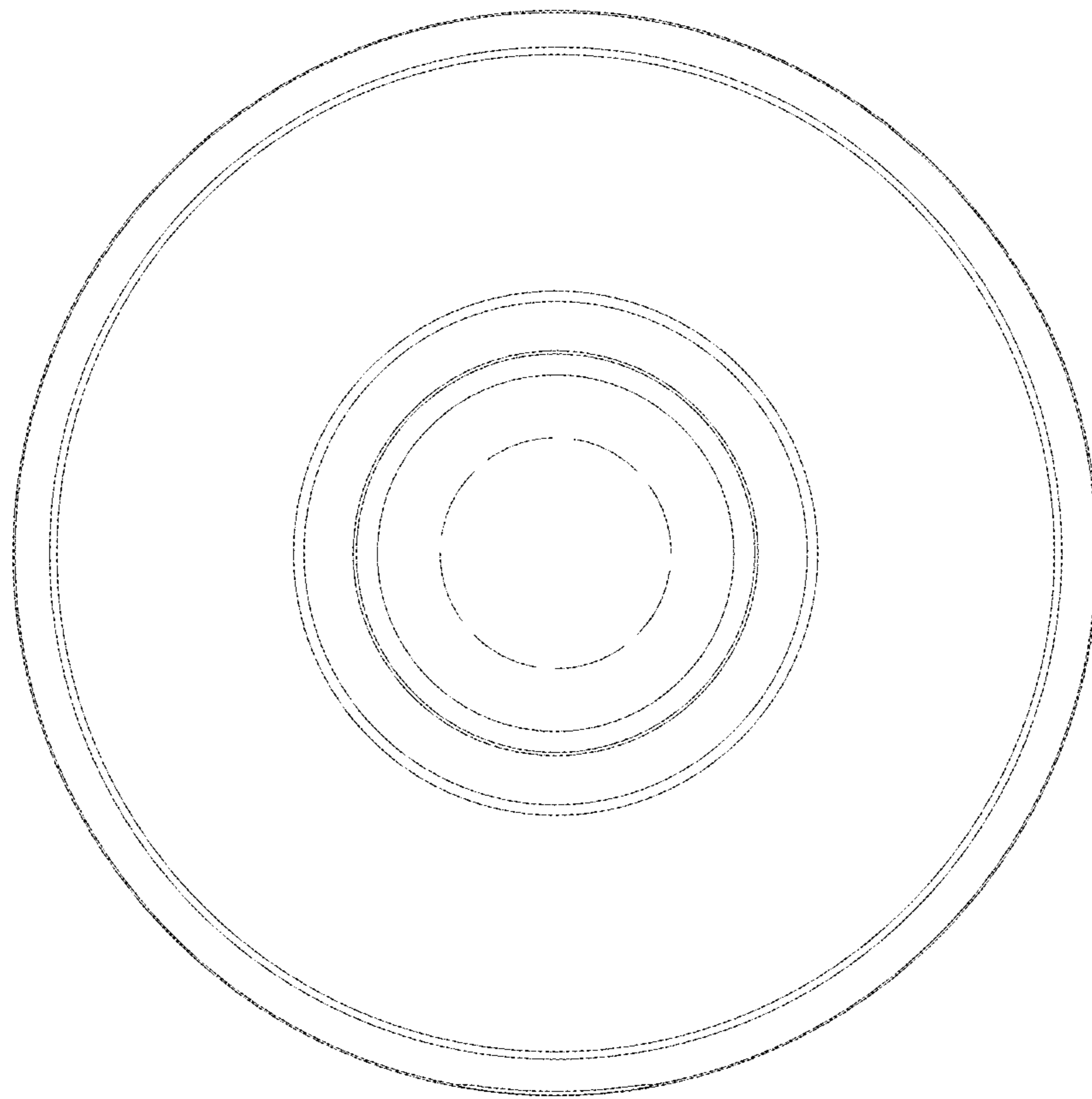


FIG. 7