



US00D985142S

(12) **United States Design Patent**
Zhang

(10) **Patent No.:** **US D985,142 S**

(45) **Date of Patent:** **** May 2, 2023**

(54) **MESSAGE HEAD OF MESSAGE APPARATUS**

D949,365 S * 4/2022 Li D24/211
D949,418 S * 4/2022 Khubani D24/215
D952,878 S * 5/2022 Lin D24/211

(71) Applicant: **Sichuan Qianli-beoka Medical Technology Inc.**, Sichuan (CN)

(72) Inventor: **Wen Zhang**, Chengdu (CN)

(73) Assignee: **Sichuan Qianli-beoka Medical Technology Inc.**

(**) Term: **15 Years**

(21) Appl. No.: **29/771,218**

(22) Filed: **Feb. 21, 2021**

(30) **Foreign Application Priority Data**

Aug. 21, 2020 (CN) 202030484403.4

(51) **LOC (14) Cl.** **24-01**

(52) **U.S. Cl.**
USPC **D24/215**

(58) **Field of Classification Search**
USPC D24/200, 211, 212, 213, 214, 215;
D26/113, 154; D8/300; D9/434, 443;
D11/181

CPC A61H 2015/0014; A61H 7/007; A61H
23/006; A61H 2015/0042; A61H 33/6089
See application file for complete search history.

(56) **References Cited**

U.S. PATENT DOCUMENTS

D837,995 S * 1/2019 Josselyn D24/215
D910,870 S * 2/2021 Marton D24/215
D918,405 S * 5/2021 Wersland D24/211
D931,492 S * 9/2021 Li D24/215

OTHER PUBLICATIONS

Amazon, "Bob and Brad Q2 Mini Massage Gun", Oct. 30, 2020.
https://www.amazon.com/BOB-BRAD-Pocket-Sized-Massager-Percussion/dp/B08M8YSFC7/ref=cm_cr_arp_d_product_top?ie=UTF8. Shown on p. 1. (Year: 2020).*
Beoka "Foot and Calf Massage Gun", Access Date Aug. 10, 2022.
<https://www.beokaodm.com/foot-calf-massage-gun/> (Year: 2022).*

* cited by examiner

Primary Examiner — Michael A Maharajh

(74) *Attorney, Agent, or Firm* — Timothy T. Wang; Ni, Wang & Massand, PLLC

(57) **CLAIM**

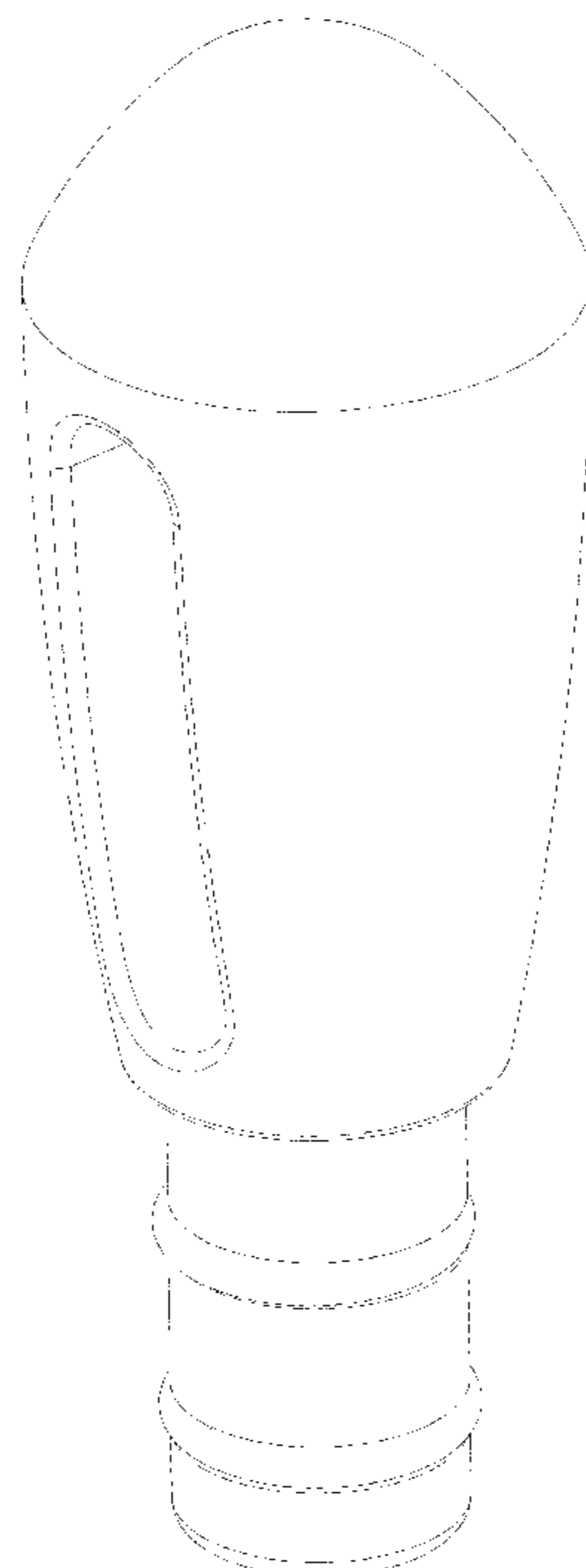
The ornamental design for a message head of message apparatus, as shown and described.

DESCRIPTION

FIG. 1 is a front perspective view of a message head of message apparatus showing my new design;
FIG. 2 a front elevational view thereof;
FIG. 3 is a back elevational view thereof;
FIG. 4 is a right-side elevational view thereof;
FIG. 5 is a left-side elevational view thereof;
FIG. 6 is a top plan view thereof; and,
FIG. 7 is a bottom plan view thereof.

The broken lines shown in the figures are for the purpose of illustrating portions of the message head of message apparatus, which form no part of the claimed design.

1 Claim, 7 Drawing Sheets



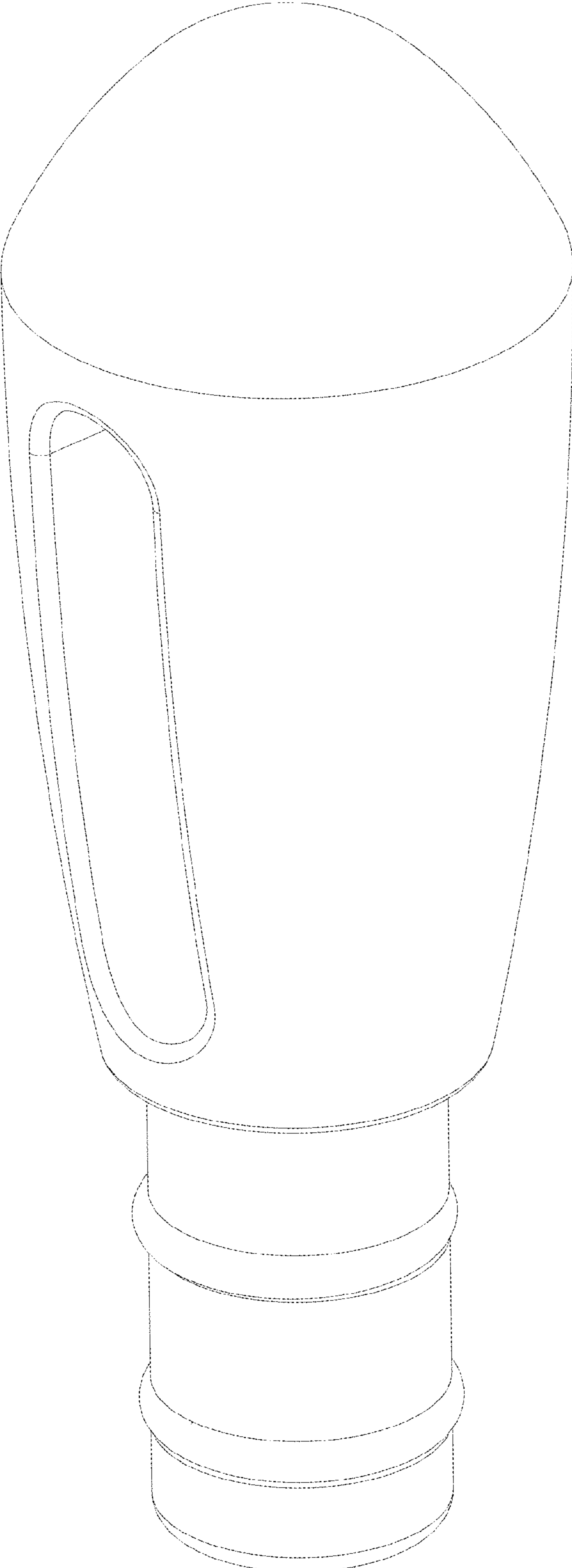


FIG. 1

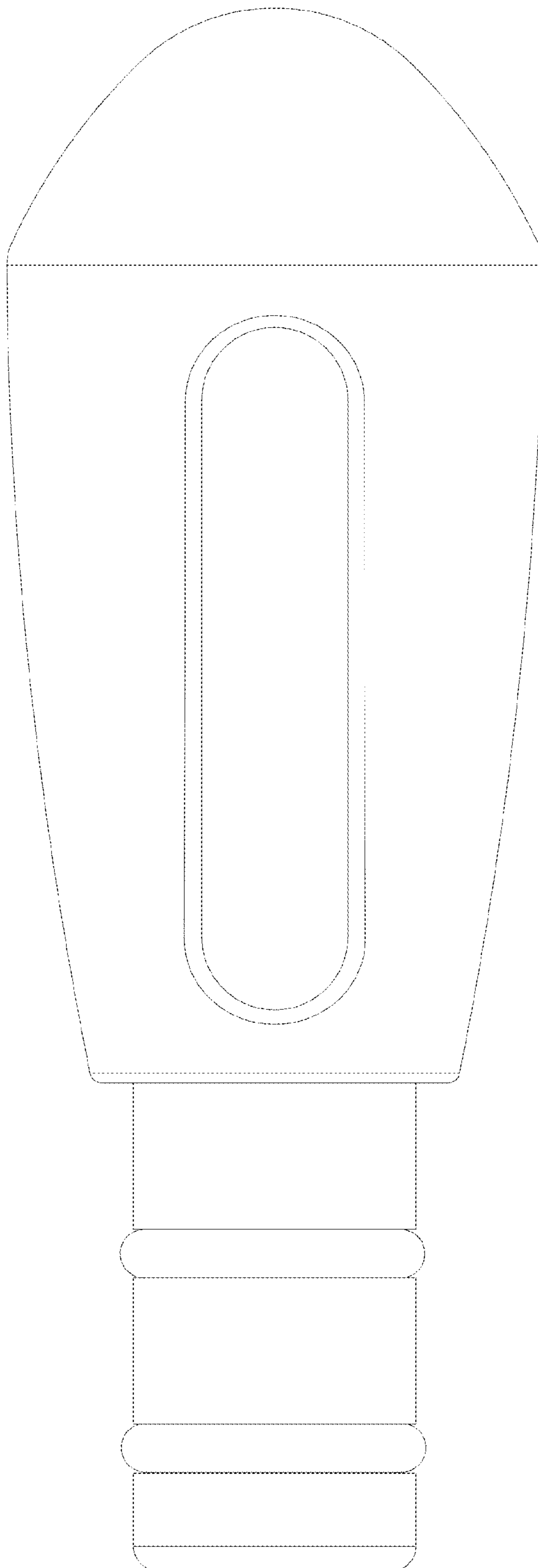


FIG. 2

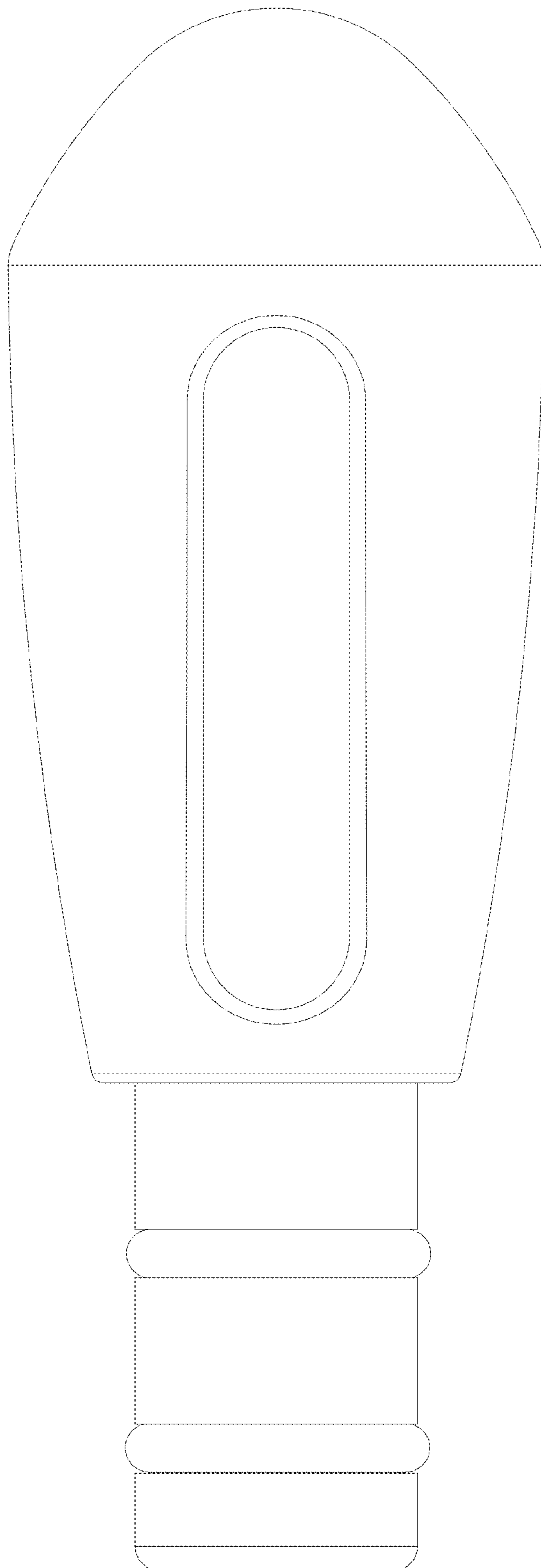


FIG. 3

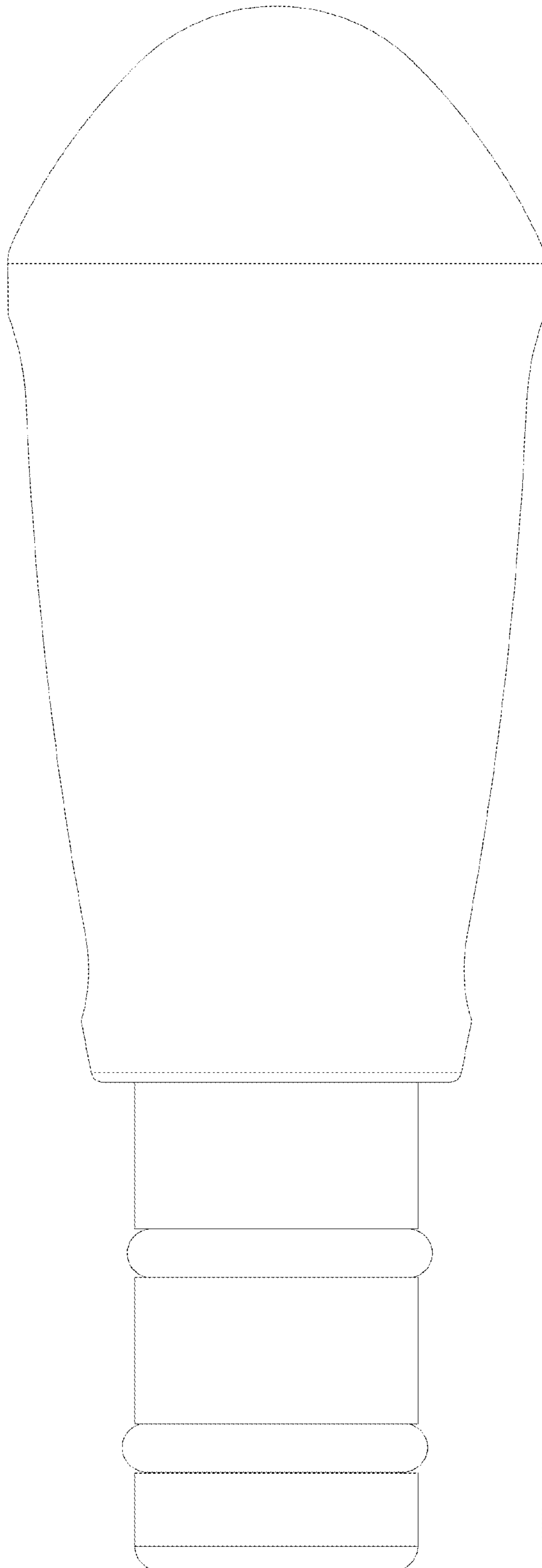


FIG. 4

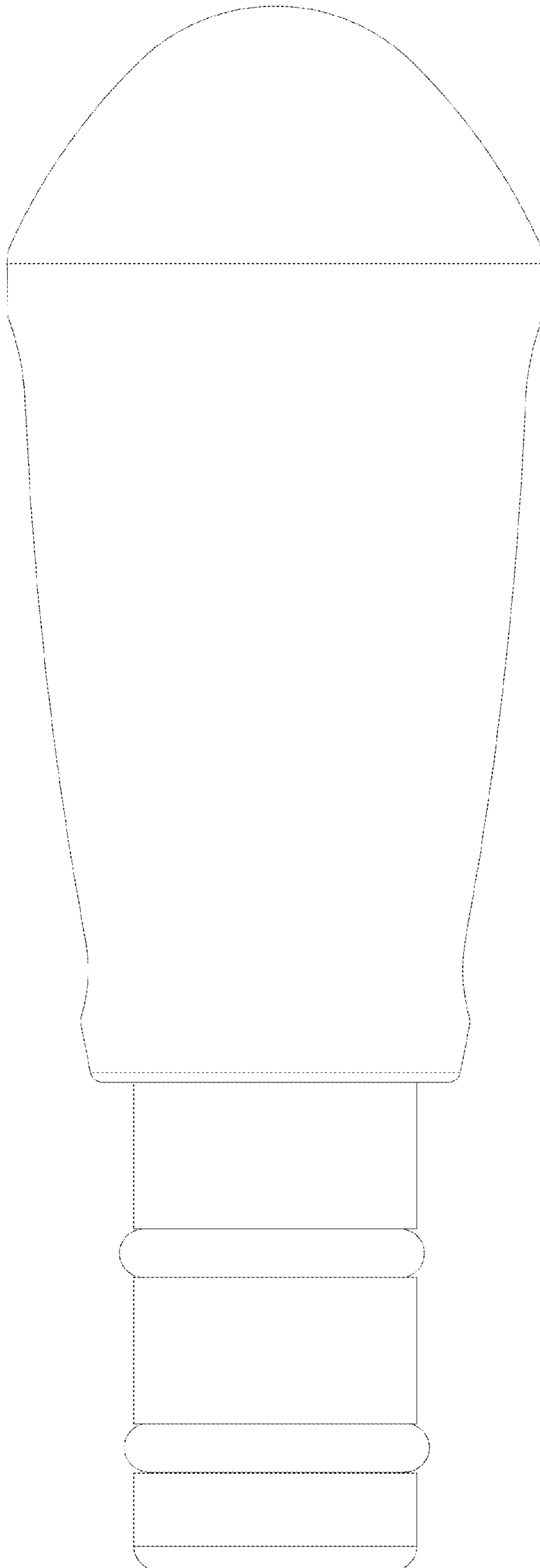


FIG. 5

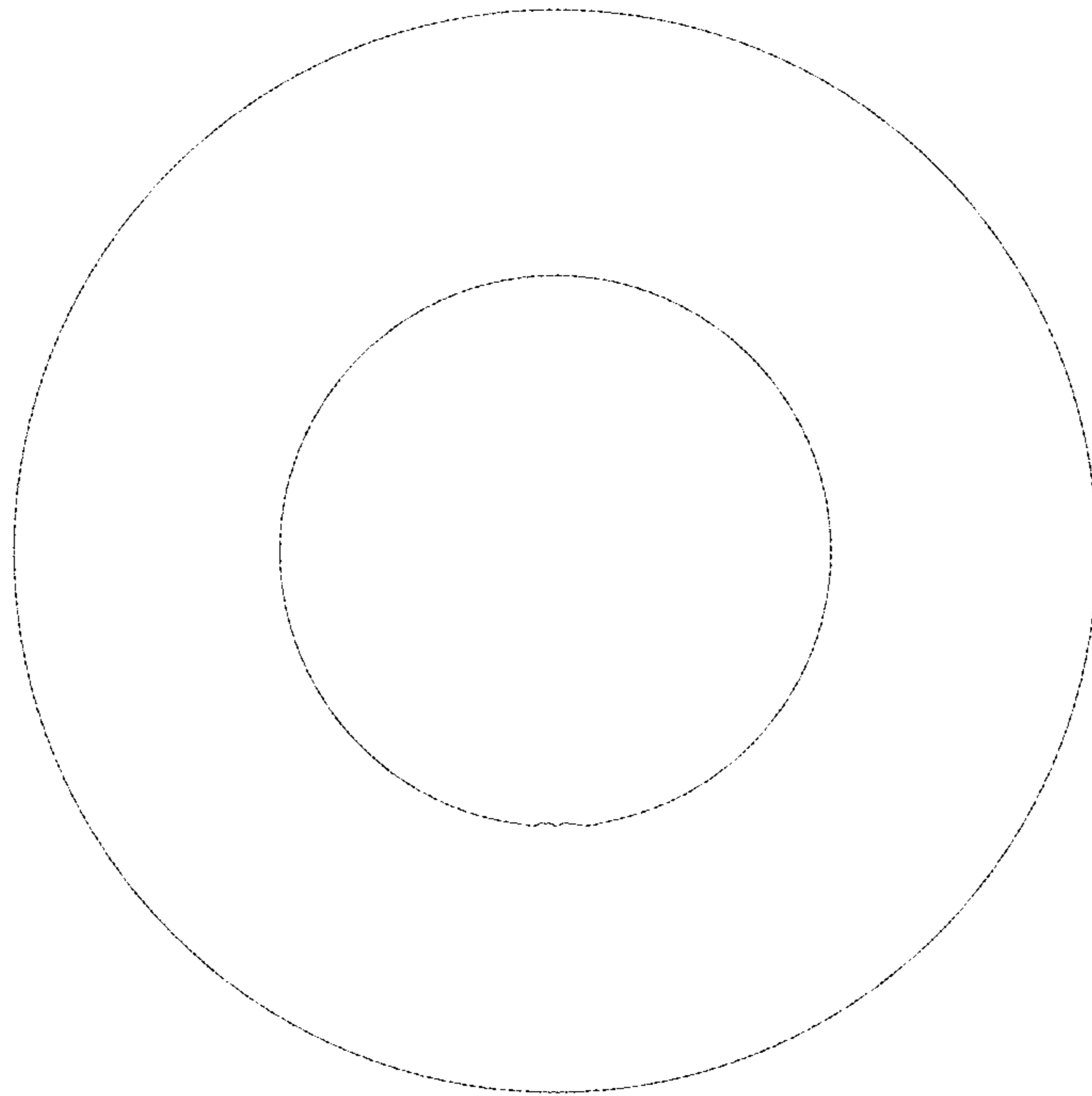


FIG. 6

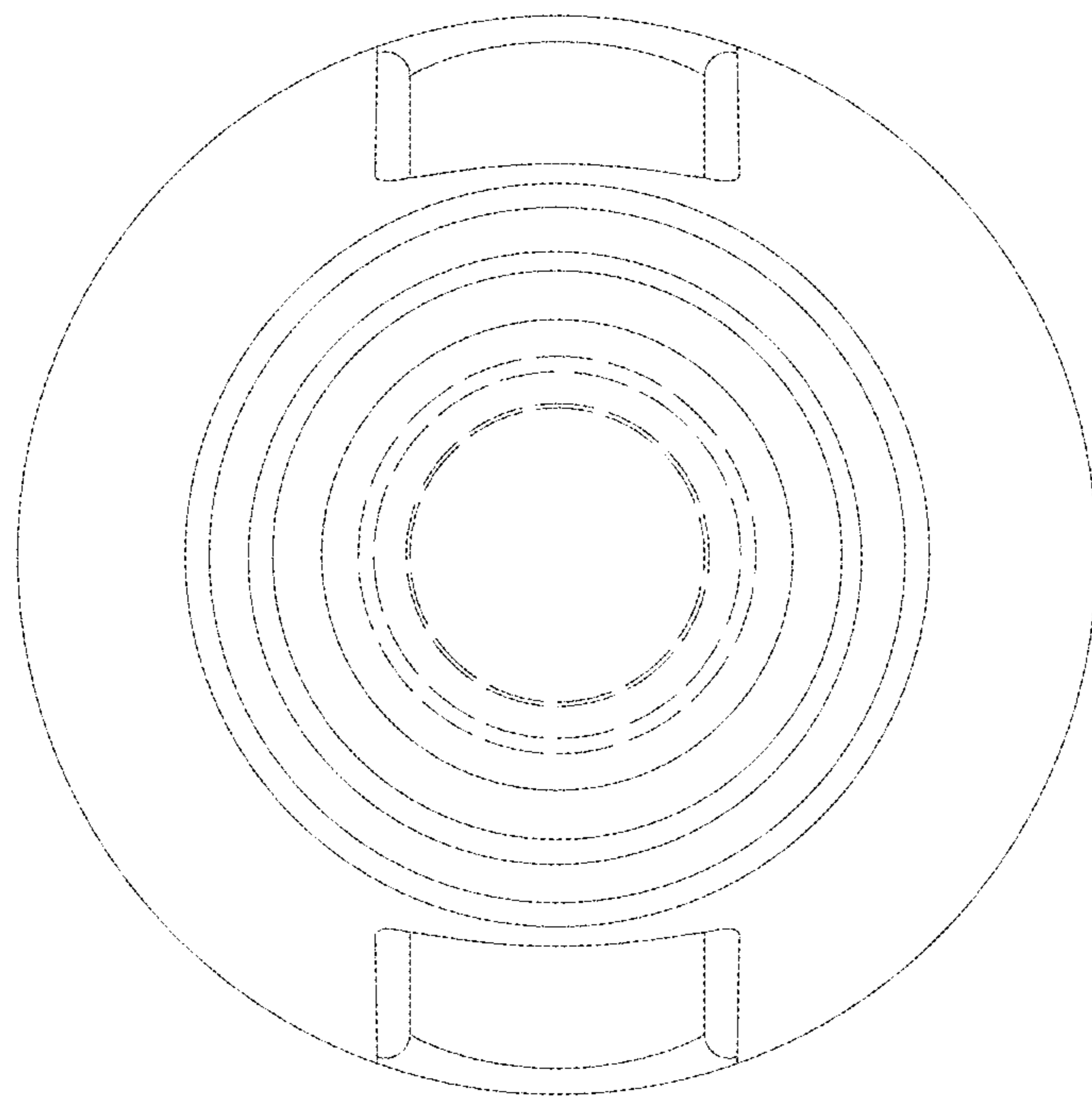


FIG. 7