



US00D985140S

(12) **United States Design Patent**
Zhang

(10) **Patent No.:** **US D985,140 S**

(45) **Date of Patent:** **** May 2, 2023**

- (54) **MESSAGE APPARATUS**
- (71) Applicant: **Sichuan Qianli-beoka Medical Technology Inc., Sichuan (CN)**
- (72) Inventor: **Wen Zhang, Chengdu (CN)**
- (73) Assignee: **Sichuan Qianli-beoka Medical Technology Inc.**

D796,037	S *	8/2017	Becker	D24/133
D847,364	S *	4/2019	Lee	D24/215
D873,432	S *	1/2020	Duan	D24/214
D884,205	S *	5/2020	Zhuang	D24/215
D895,132	S *	9/2020	Hu	D24/215
D926,335	S *	7/2021	Zhang	D24/215
D932,045	S *	9/2021	Shen	D24/215
2016/0074641	A1 *	3/2016	Mehta	A61H 23/02 604/315
2019/0175434	A1 *	6/2019	Zhang	A61H 15/0085
2020/0085675	A1 *	3/2020	Lee	A61H 23/006

(**) Term: **15 Years**

(21) Appl. No.: **29/755,607**

(22) Filed: **Oct. 21, 2020**

(30) **Foreign Application Priority Data**

May 29, 2020 (CN) 202030262372.8

(51) **LOC (14) Cl.** **28-03**

(52) **U.S. Cl.**
USPC **D24/215**

(58) **Field of Classification Search**
USPC D24/215, 200, 211, 212, 213, 214, 133,
D24/107, 231, 184; D8/14.1, 61;
D28/12, 13
CPC A61H 15/00; A61H 15/0092; A61H
15/0078; A61H 15/0085; A61H
2015/0007; A61H 2015/0042; A61H
2201/0153; A61H 7/00; A61H 7/003;
A61H 7/004; A61H 7/005; A61H 9/00;
A61H 2205/06
See application file for complete search history.

(56) **References Cited**

U.S. PATENT DOCUMENTS

D403,075	S *	12/1998	Lie	D24/215
6,682,496	B1 *	1/2004	Pivaroff	A61H 7/005 601/107
D730,576	S *	5/2015	Gammack	D28/13

OTHER PUBLICATIONS

Deep Muscle Massager DMS-B-BEOKA. Date: Not listed. [online]. [Site visited Jun. 2, 2022]. Available from Internet URL: www.qlbeoka.com/product/83.html (Year: NA).*

(Continued)

Primary Examiner — Eliza Z Harvey

Assistant Examiner — Landon Thomas Cassell

(74) *Attorney, Agent, or Firm* — Timothy T. Wang; Ni, Wang & Massand, PLLC

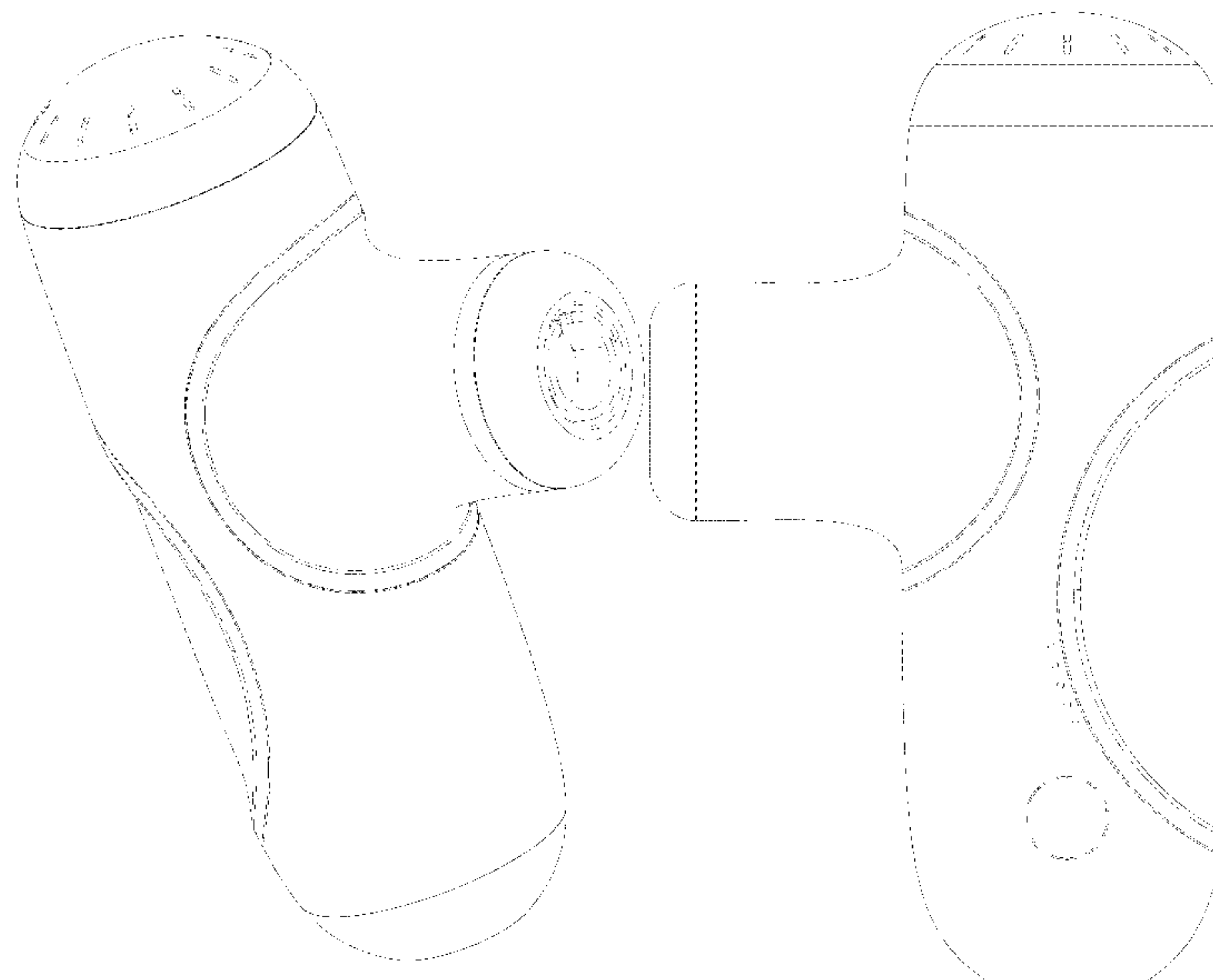
(57) **CLAIM**

The ornamental design for a massage apparatus as shown and described.

DESCRIPTION

FIG. 1 is a perspective view of a massage apparatus showing my new design;
FIG. 2 is a left side elevational view thereof;
FIG. 3 is a right side elevational view thereof;
FIG. 4 is a front elevational view thereof;
FIG. 5 is a back elevational view thereof;
FIG. 6 is a top plan view thereof; and,
FIG. 7 is a bottom plan view thereof.
The broken lines shown in the figures are for the purpose of illustrating portions of the massage apparatus, which form no part of the claimed design.

1 Claim, 7 Drawing Sheets



(56)

References Cited

OTHER PUBLICATIONS

Massagers. (Design—© Questel) orbit.com. [Online PDF compilation of references] 19 pgs. Print Dates Range Jan. 7, 2020-Dec. 1, 2020 [Retrieved Jun. 2, 2022] <https://www.orbit.com/export/UCZAH96B/pdf4/e0ba5935-6dd7-47b1-8e3b-ef4c6fb07d98-183832.pdf> (Year: 2022).*

* cited by examiner

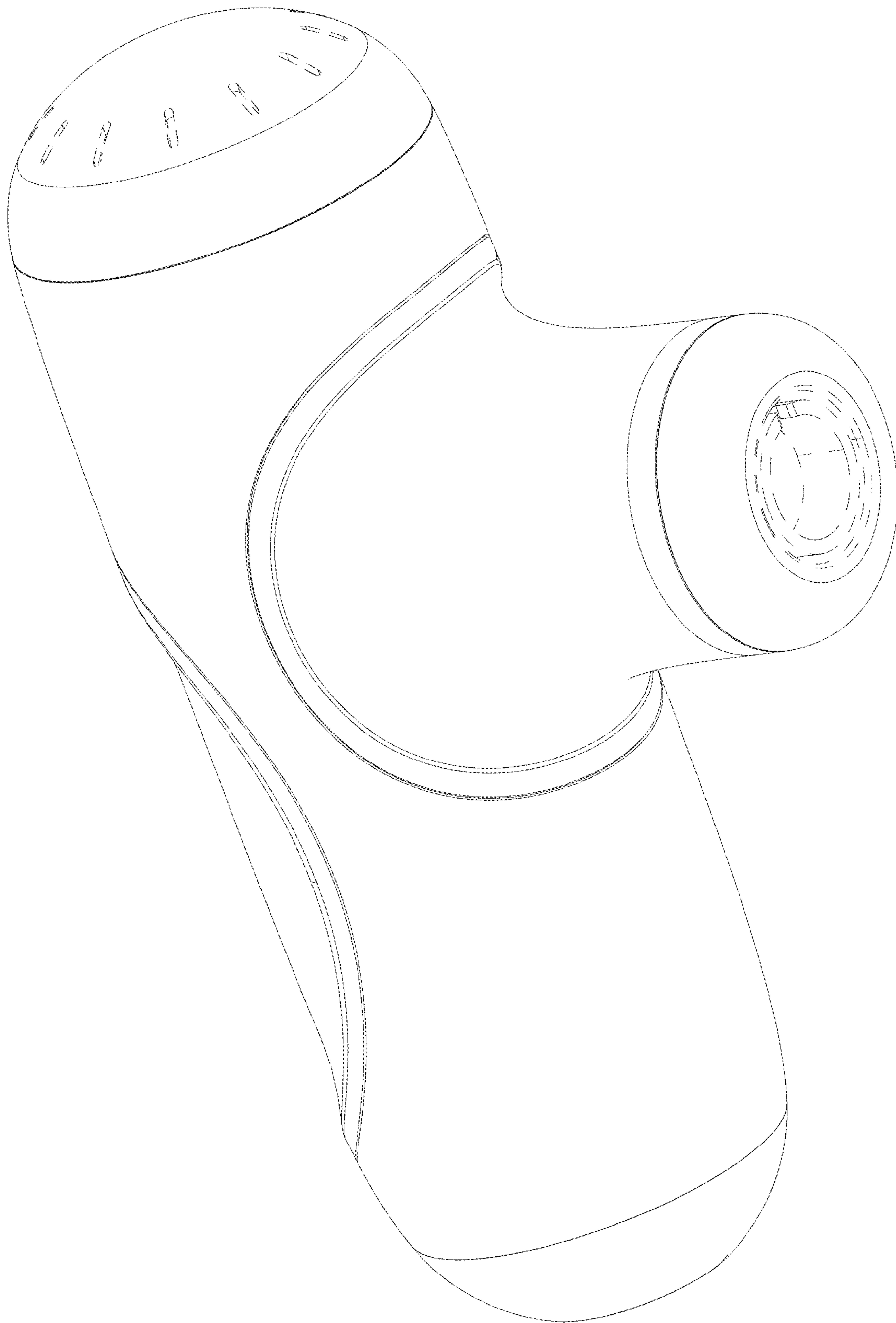


FIG. 1

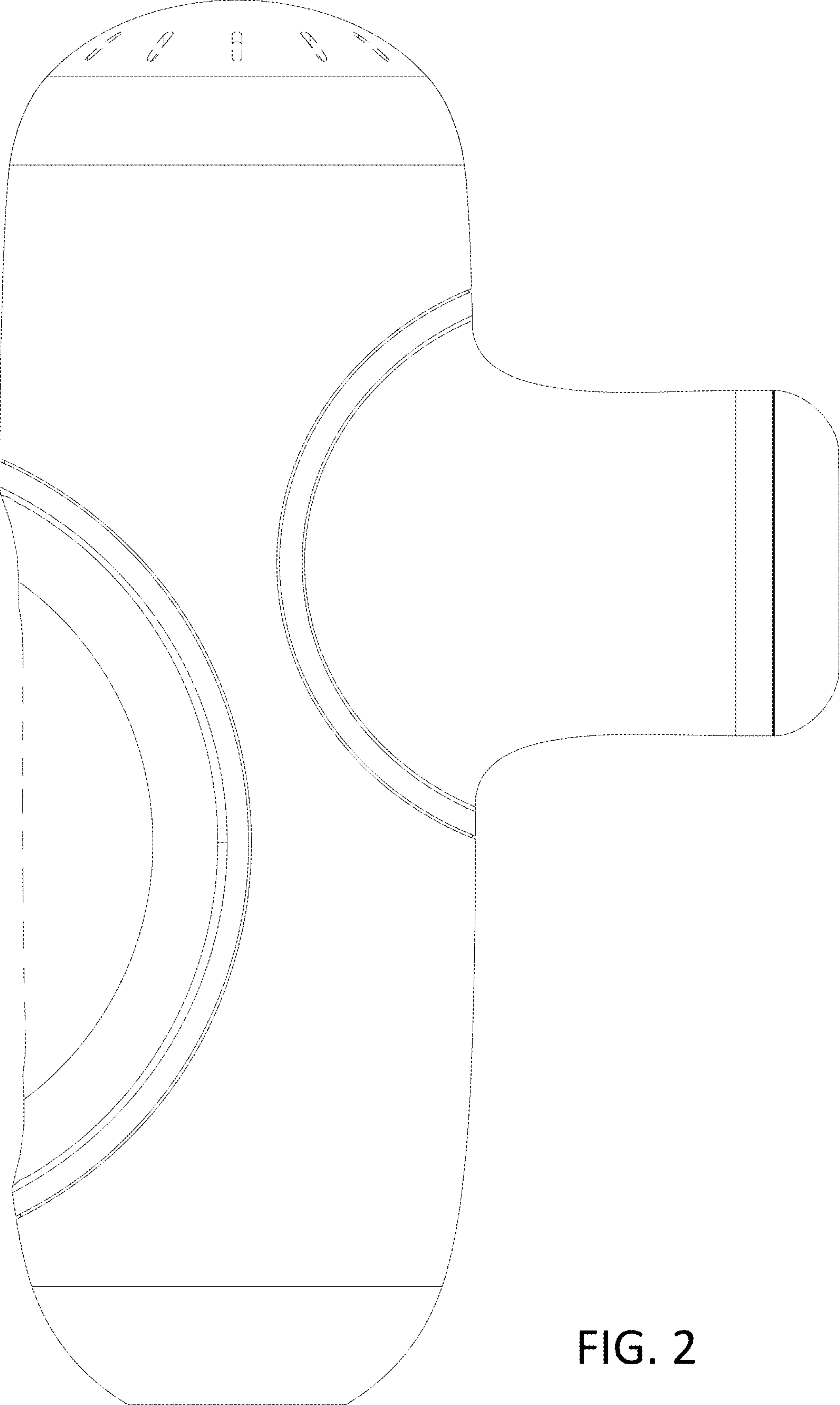


FIG. 2

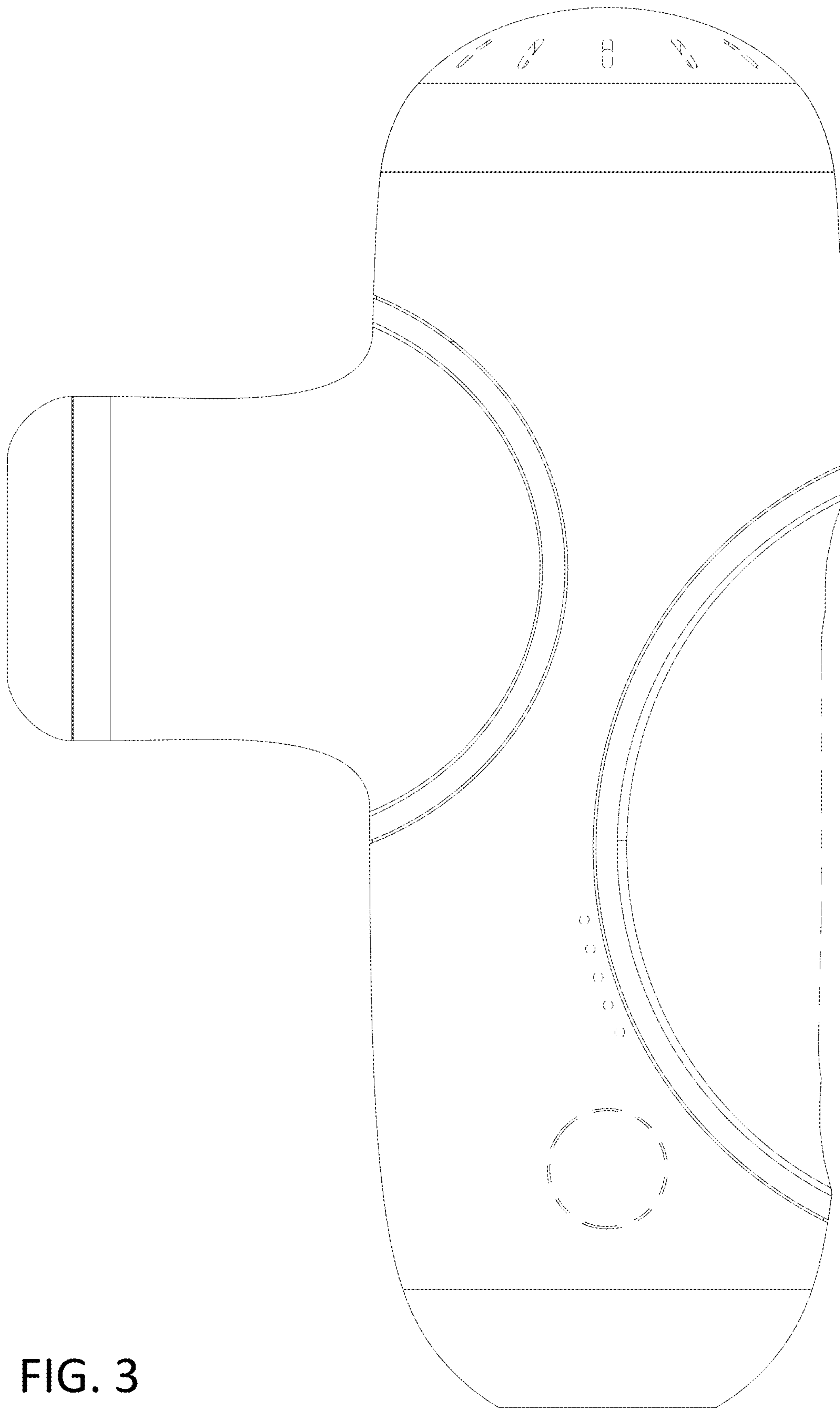


FIG. 3

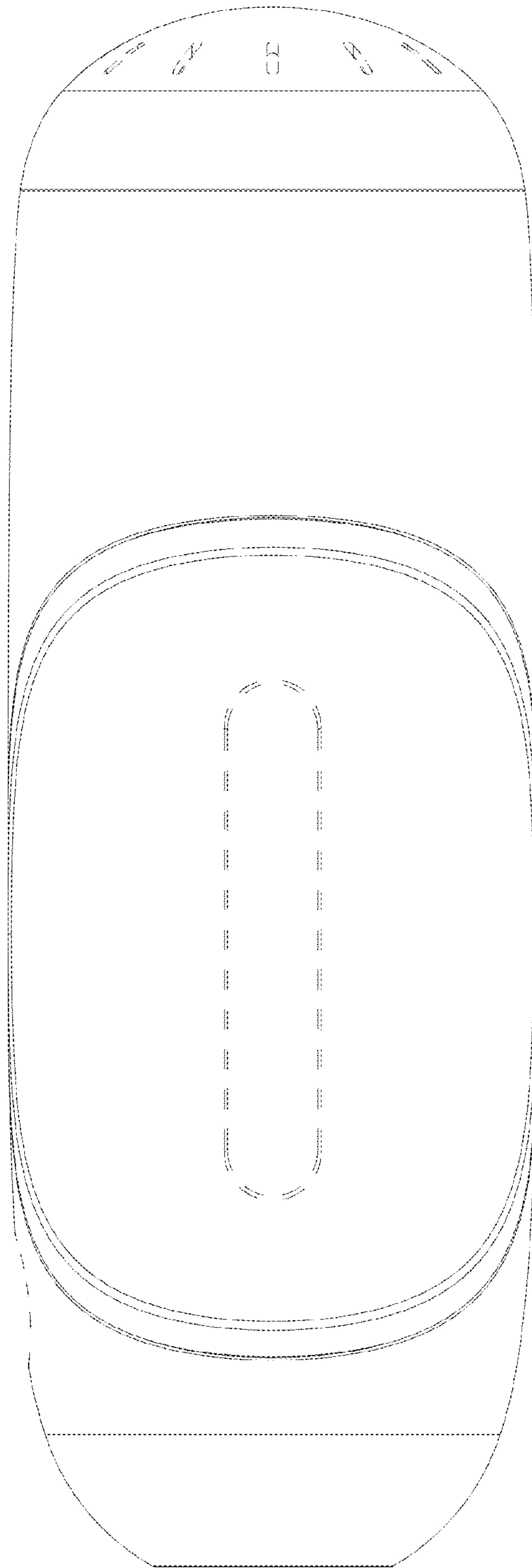


FIG. 4

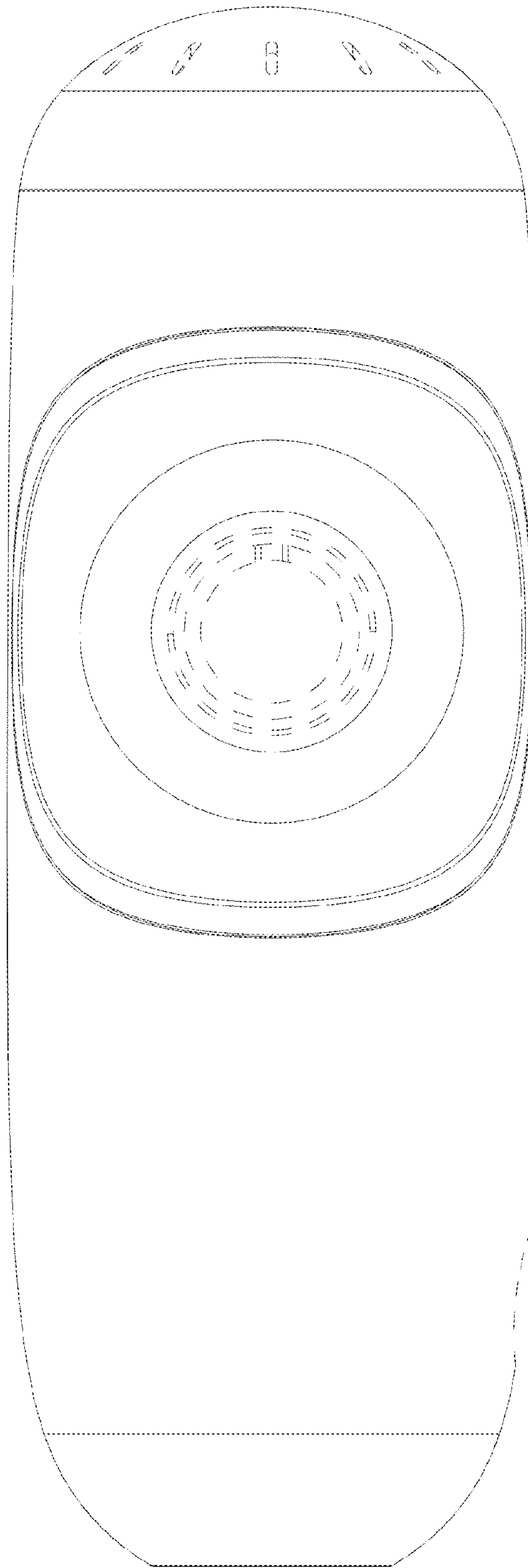


FIG. 5

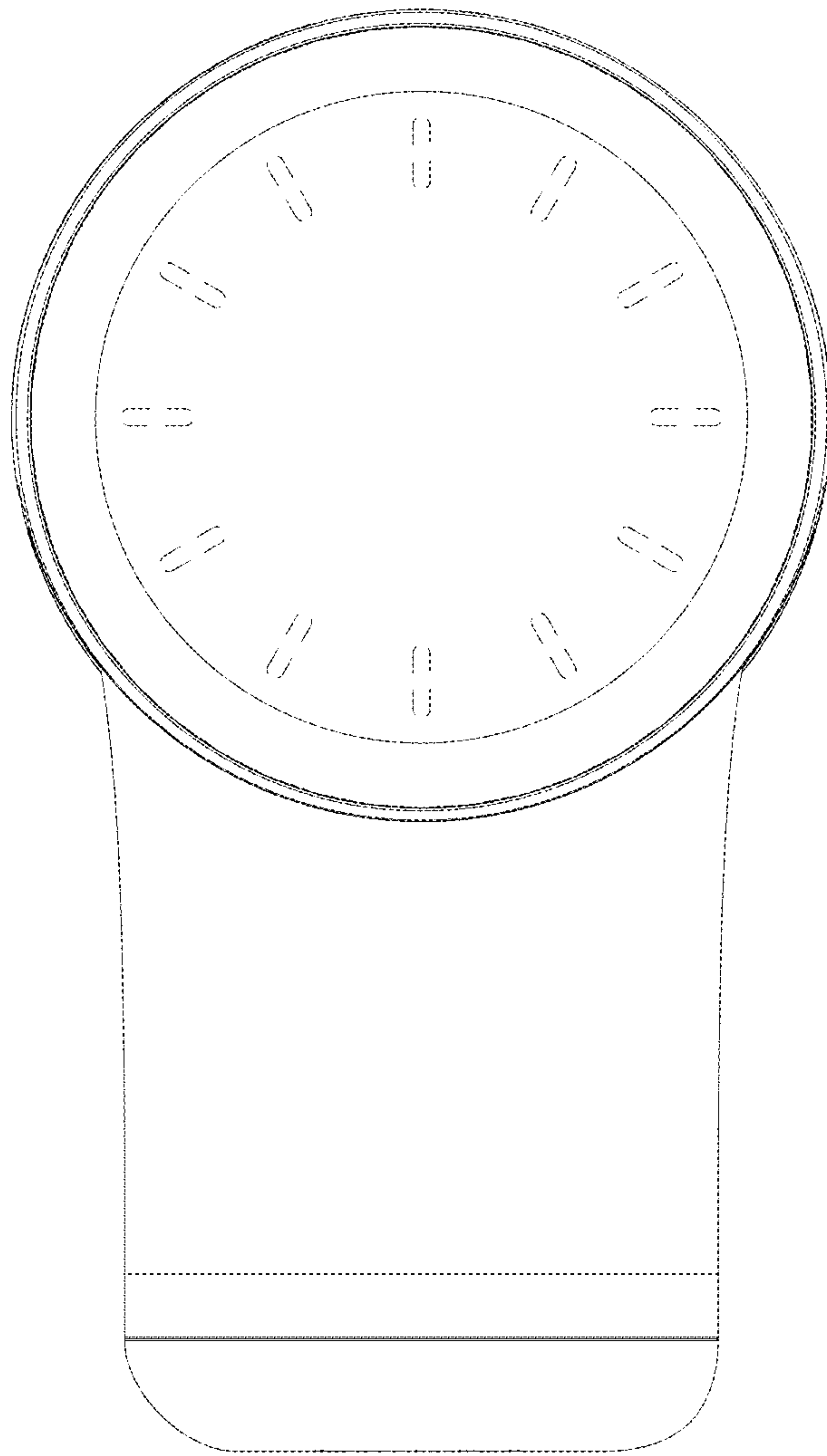


FIG. 6

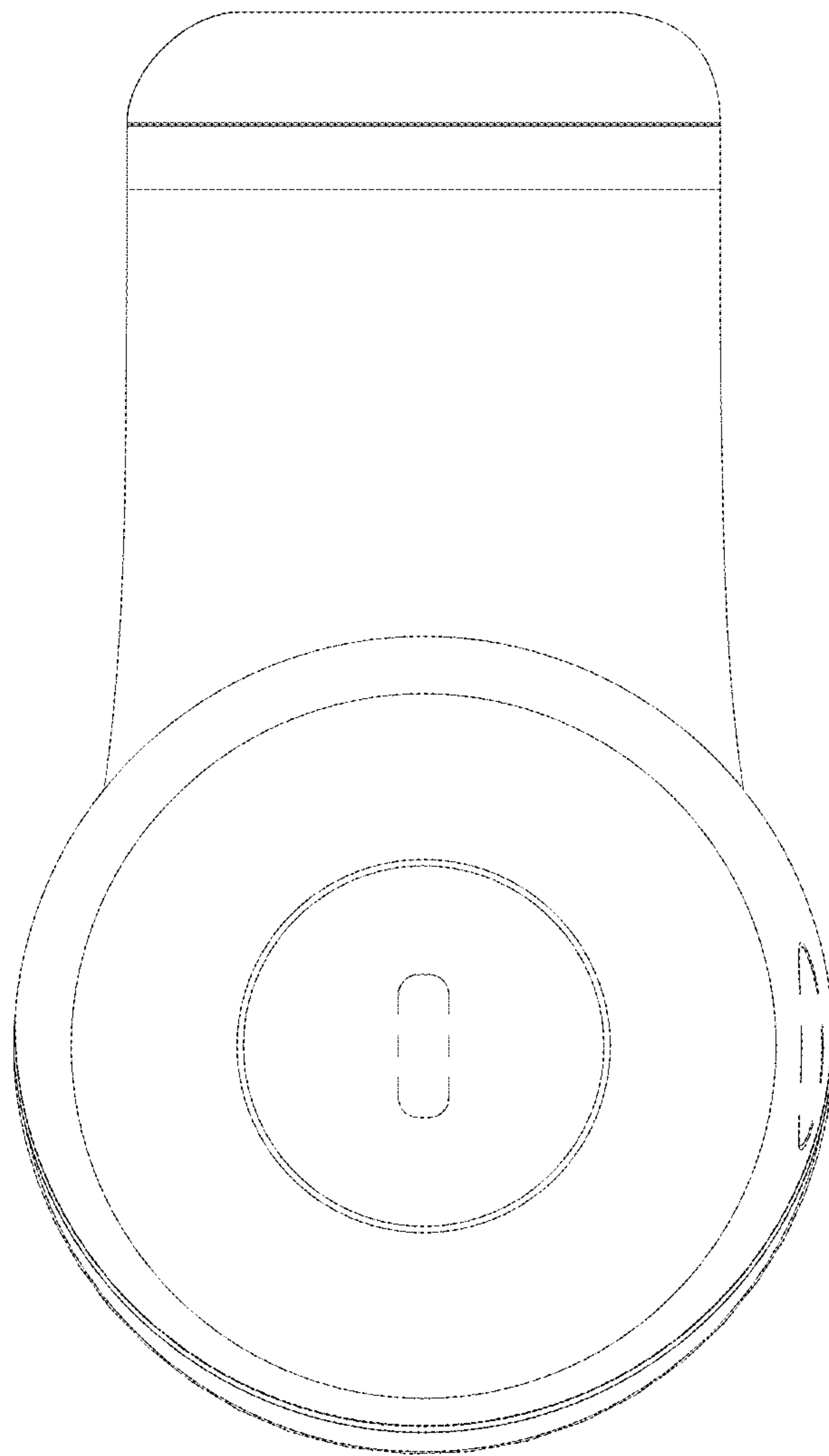


FIG. 7