



US00D985139S

(12) **United States Design Patent**  
**Zhang**

(10) **Patent No.:** **US D985,139 S**

(45) **Date of Patent:** **\*\* May 2, 2023**

(54) **MESSAGE APPARATUS**  
(71) Applicant: **Sichuan Qianli-beoka Medical Technology Inc., Sichuan (CN)**  
(72) Inventor: **Wen Zhang, Chengdu (CN)**  
(73) Assignee: **SICHUAN QIANLI-BEOKA MEDICAL TECHNOLOGY INC.**

D847,364 S \* 4/2019 Lee ..... D24/215  
D874,015 S \* 1/2020 Marton ..... D24/215  
D884,205 S \* 5/2020 Zhuang ..... D24/215  
D898,209 S \* 10/2020 Xu ..... D24/214  
D932,045 S \* 9/2021 Shen ..... D24/215  
2016/0074641 A1\* 3/2016 Mehta ..... A61H 23/02  
604/315  
2019/0175434 A1\* 6/2019 Zhang ..... A61H 15/0085  
2020/0085675 A1\* 3/2020 Lee ..... A61H 23/006

(\*\*) Term: **15 Years**

(21) Appl. No.: **29/755,590**

(22) Filed: **Oct. 21, 2020**

(30) **Foreign Application Priority Data**

May 29, 2020 (CN) ..... 202030263201.7

(51) **LOC (14) Cl.** ..... **28-03**

(52) **U.S. Cl.**  
USPC ..... **D24/215**

(58) **Field of Classification Search**  
USPC ..... D24/215, 200, 211, 212, 213, 214, 133,  
D24/107, 231, 184; D8/14.1, 61;  
D28/12, 13

CPC ..... A61H 15/00; A61H 15/0092; A61H  
15/0078; A61H 15/0085; A61H  
2015/0007; A61H 2015/0042; A61H  
2201/0153; A61H 7/00; A61H 7/003;  
A61H 7/004; A61H 7/005; A61H 9/00;  
A61H 2205/06

See application file for complete search history.

(56) **References Cited**

**U.S. PATENT DOCUMENTS**

D248,048 S \* 5/1978 Cousins ..... D28/13  
D314,126 S \* 1/1991 Moore ..... D8/67  
D403,075 S \* 12/1998 Lie ..... D24/215  
6,682,496 B1 \* 1/2004 Pivaroff ..... A61H 7/005  
601/107  
D796,037 S \* 8/2017 Becker ..... D24/133

**OTHER PUBLICATIONS**

Beoka—Deep Muscle Massager. Date: Not listed, [online]. [Site visited Jun. 2, 2022]. Available from Internet URL: [www.qlbeoka.com/product/82.html](http://www.qlbeoka.com/product/82.html) (Year: NA).\*

(Continued)

*Primary Examiner* — Eliza Z Harvey

*Assistant Examiner* — Landon Thomas Cassell

(74) *Attorney, Agent, or Firm* — Timothy T. Wang; Ni, Wang & Massand, PLLC

(57) **CLAIM**

The ornamental design for a massage apparatus, as shown and described.

**DESCRIPTION**

FIG. 1 is a perspective view of a massage apparatus showing my new design;

FIG. 2 is a Right-side devotional view thereof;

FIG. 3 is a left-side elevational view thereof;

FIG. 4 is a front elevational view thereof;

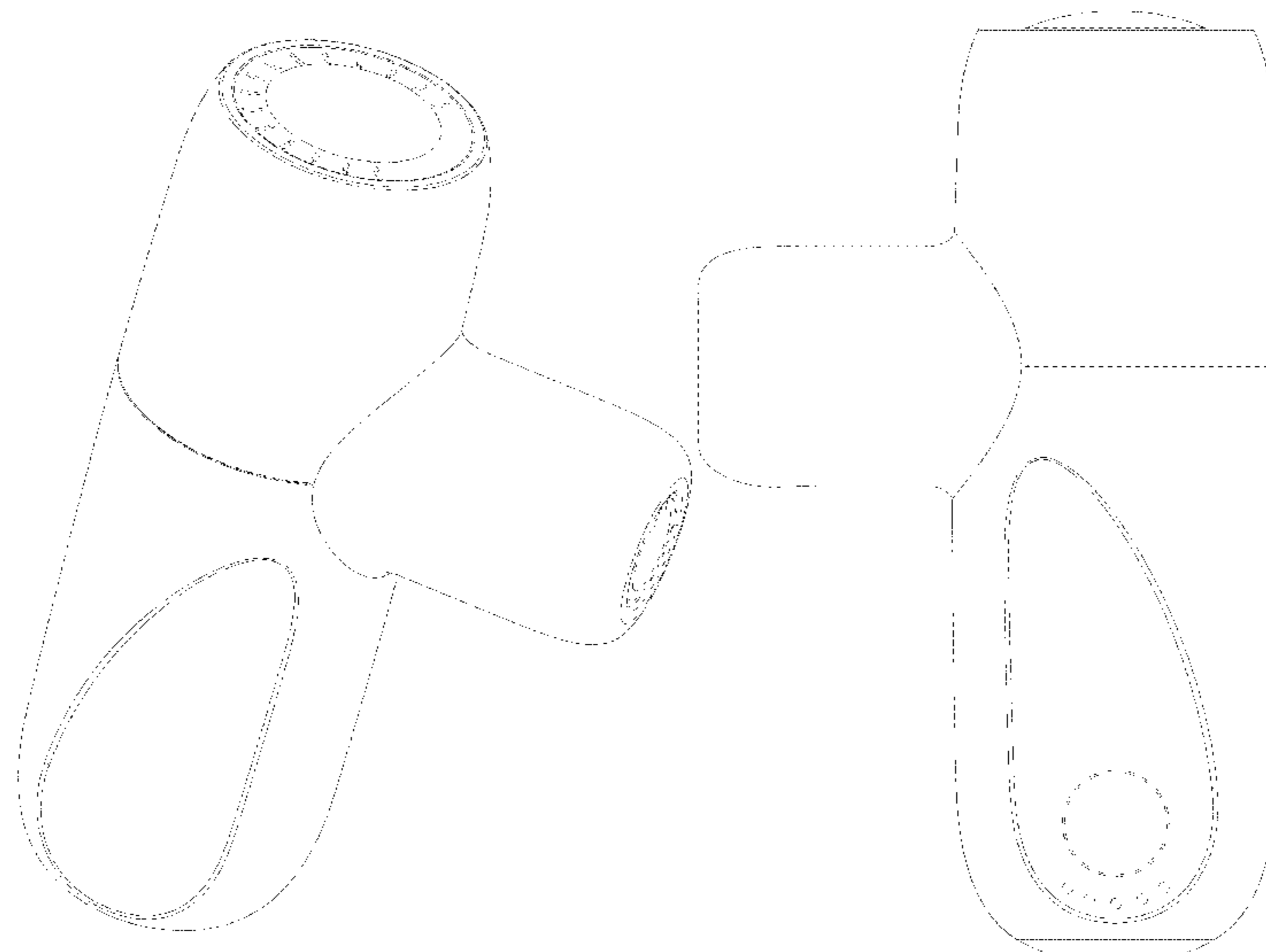
FIG. 5 is a back elevational view thereof;

FIG. 6 is a top plan view thereof; and,

FIG. 7 is a bottom plan view thereof.

The broken lines shown in the figures are for the purpose of illustrating portions of the massage apparatus, which form no part of the claimed design.

**1 Claim, 7 Drawing Sheets**



(56)

**References Cited**

OTHER PUBLICATIONS

Massagers. (Design—© Questel) orbit.com. [Online PDF compilation of references] 34 pgs. Print Dates Range May 1, 2020-Aug. 28, 2020 [Retrieved Jun. 2, 2022] <https://www.orbit.com/export/UCZAH96B/pdf4/b452974b-d19a-44c6-af4e-2a51838a027b-174714.pdf> (Year: 2022).\*

\* cited by examiner

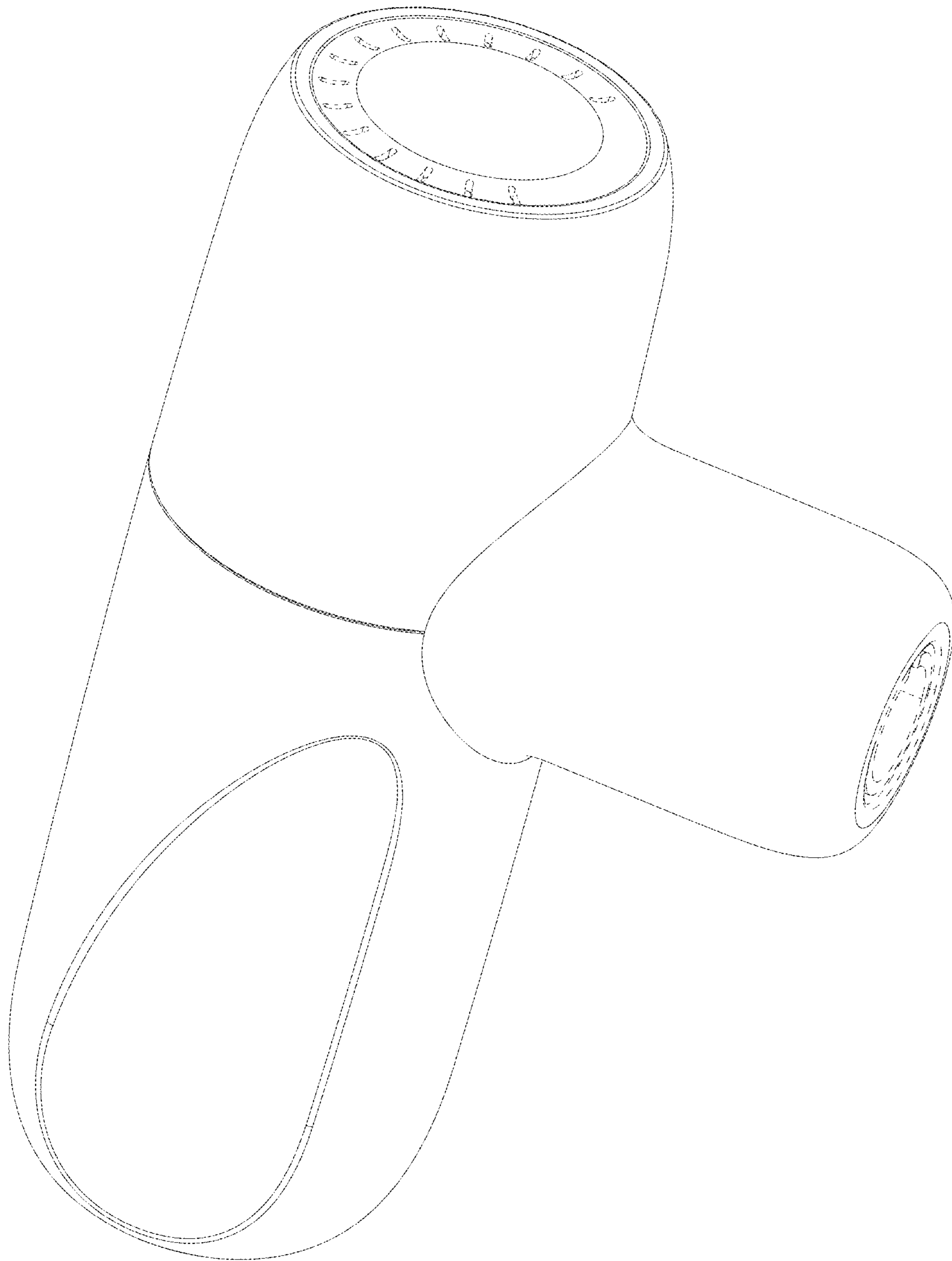


FIG. 1

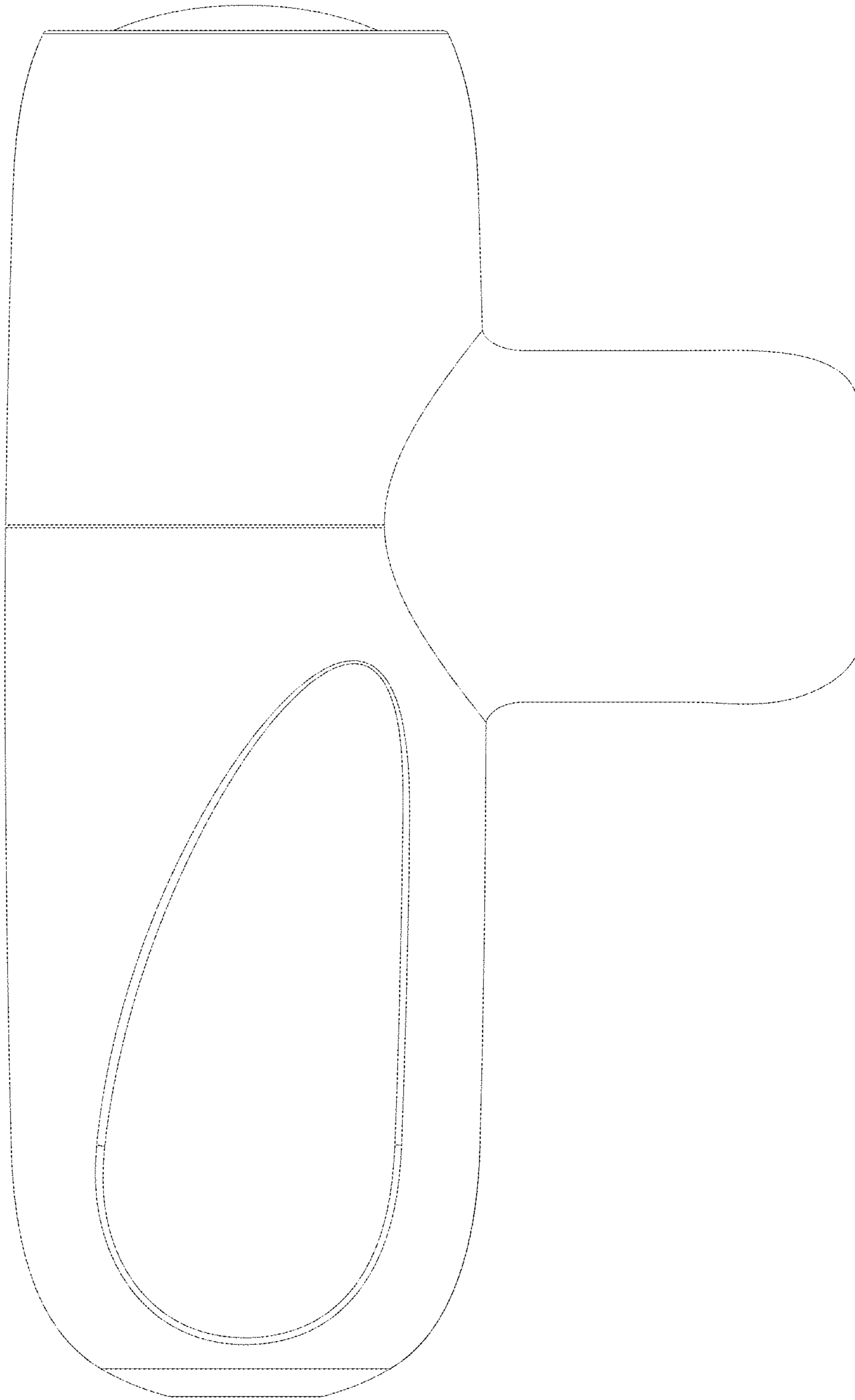


FIG. 2

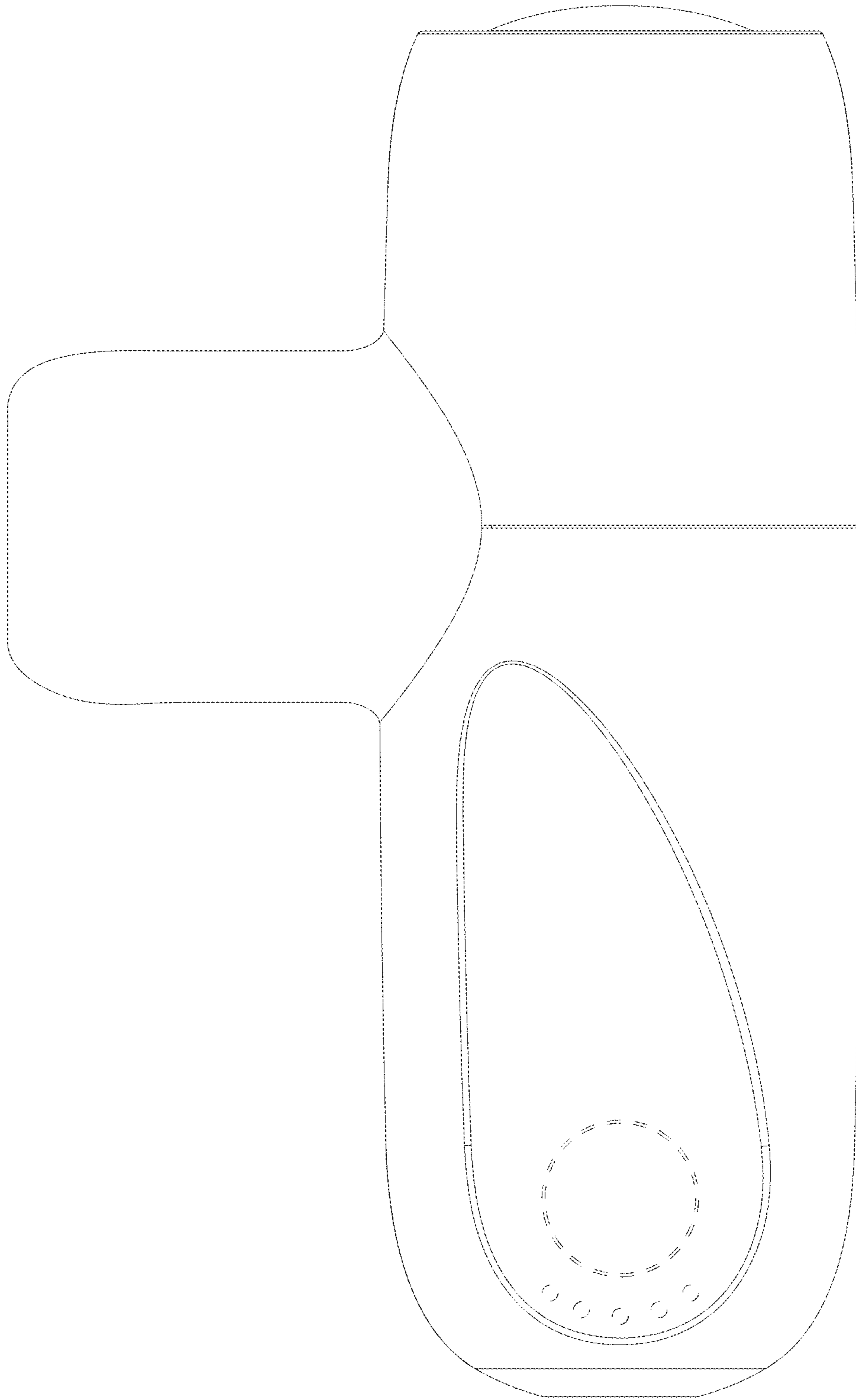


FIG. 3

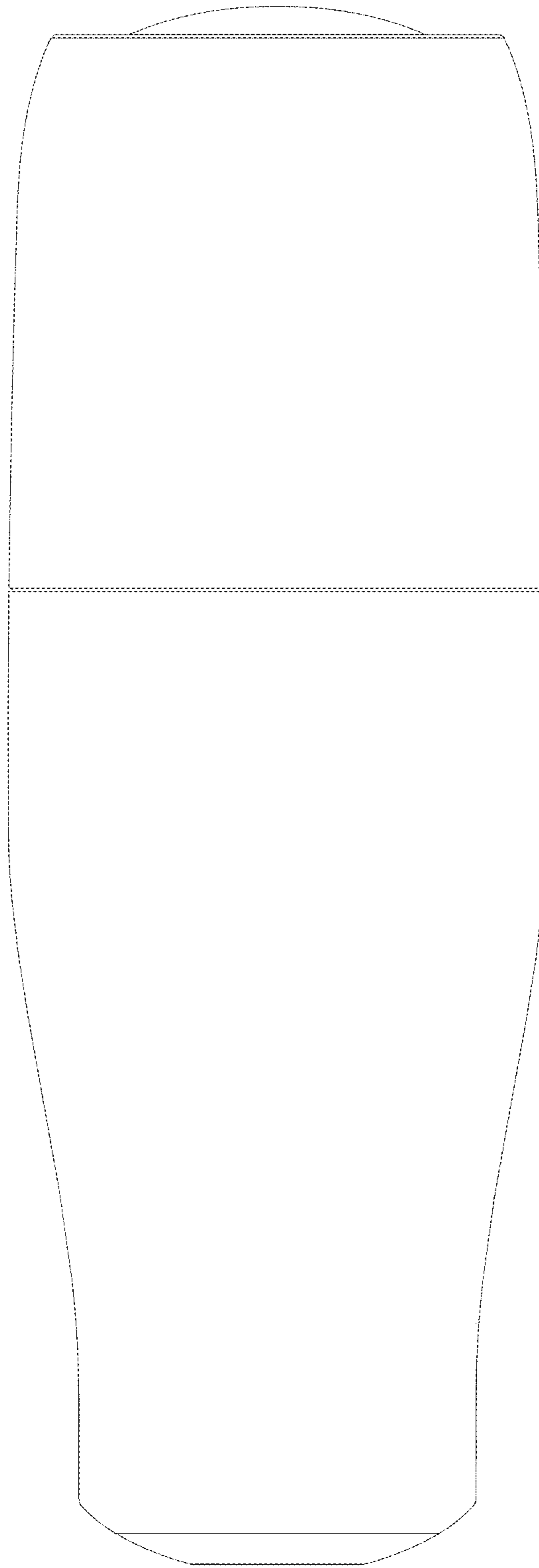


FIG. 4

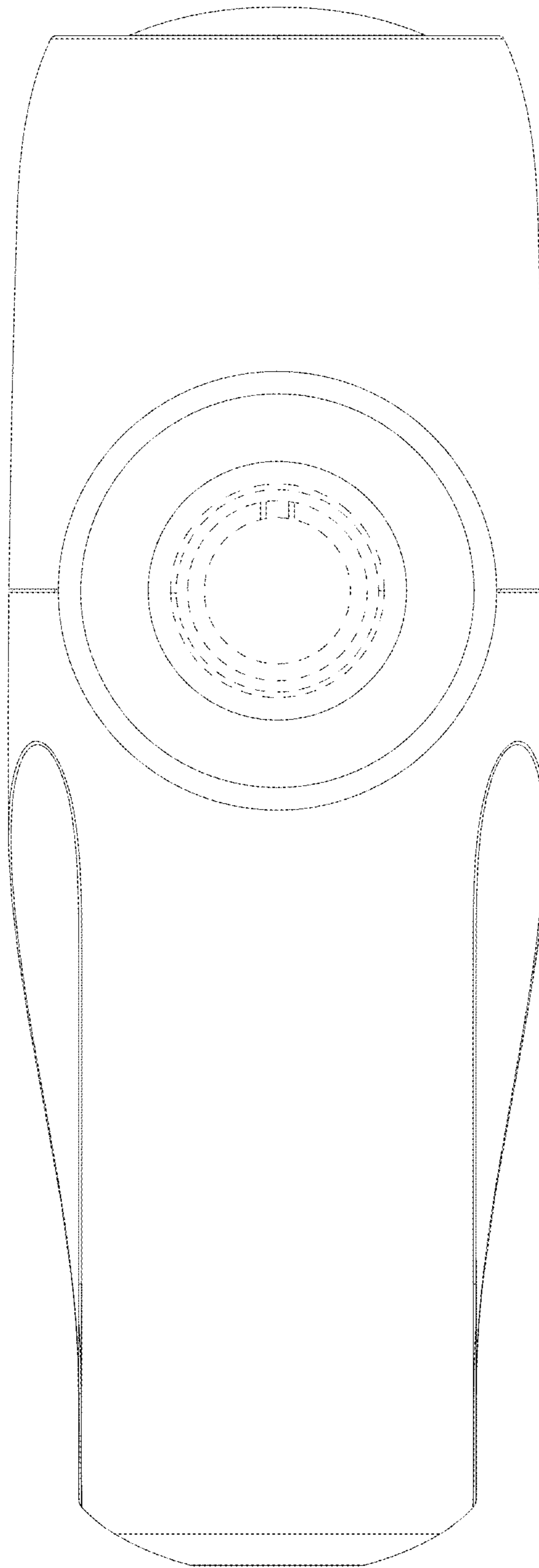


FIG. 5

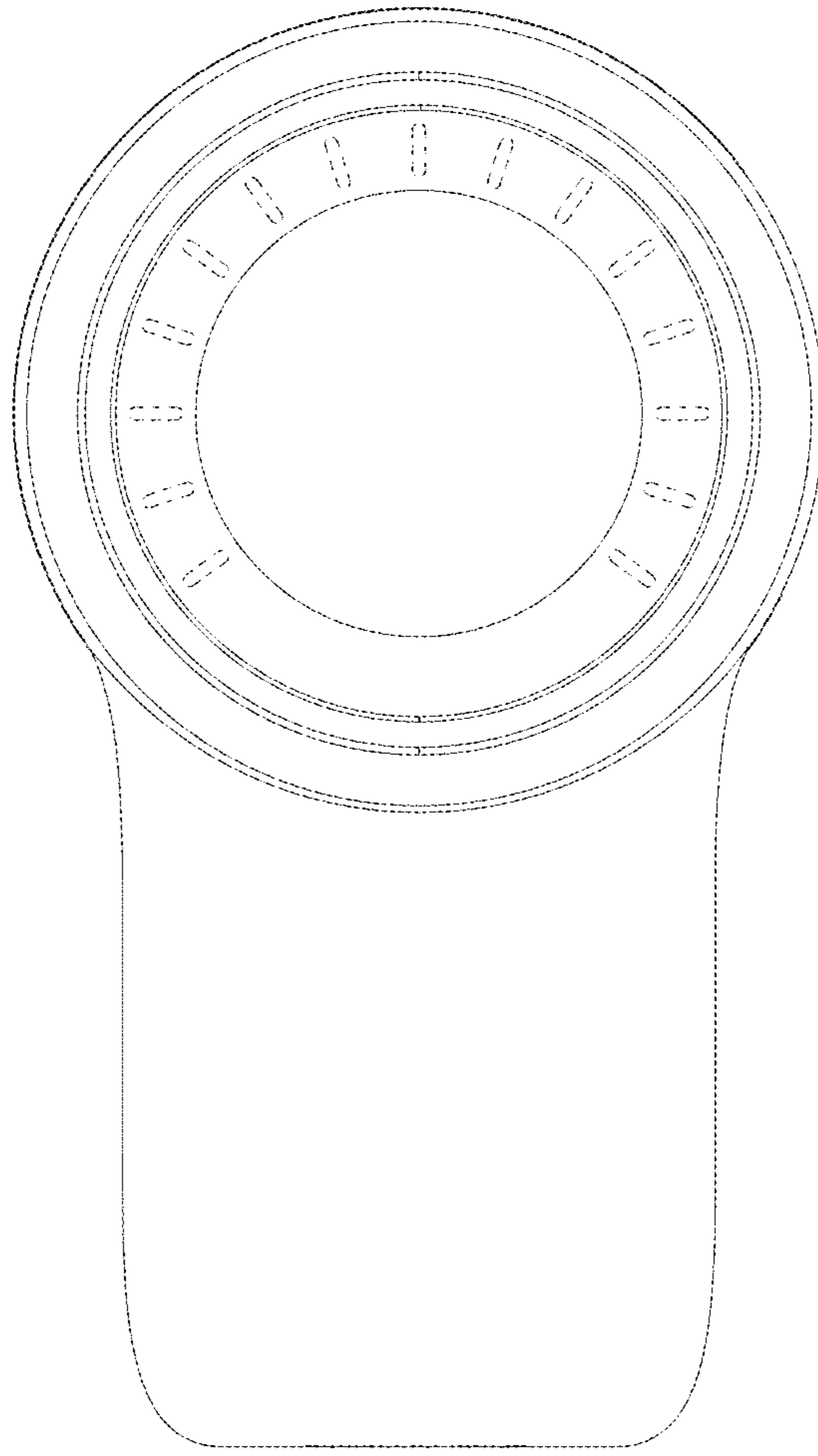


FIG. 6



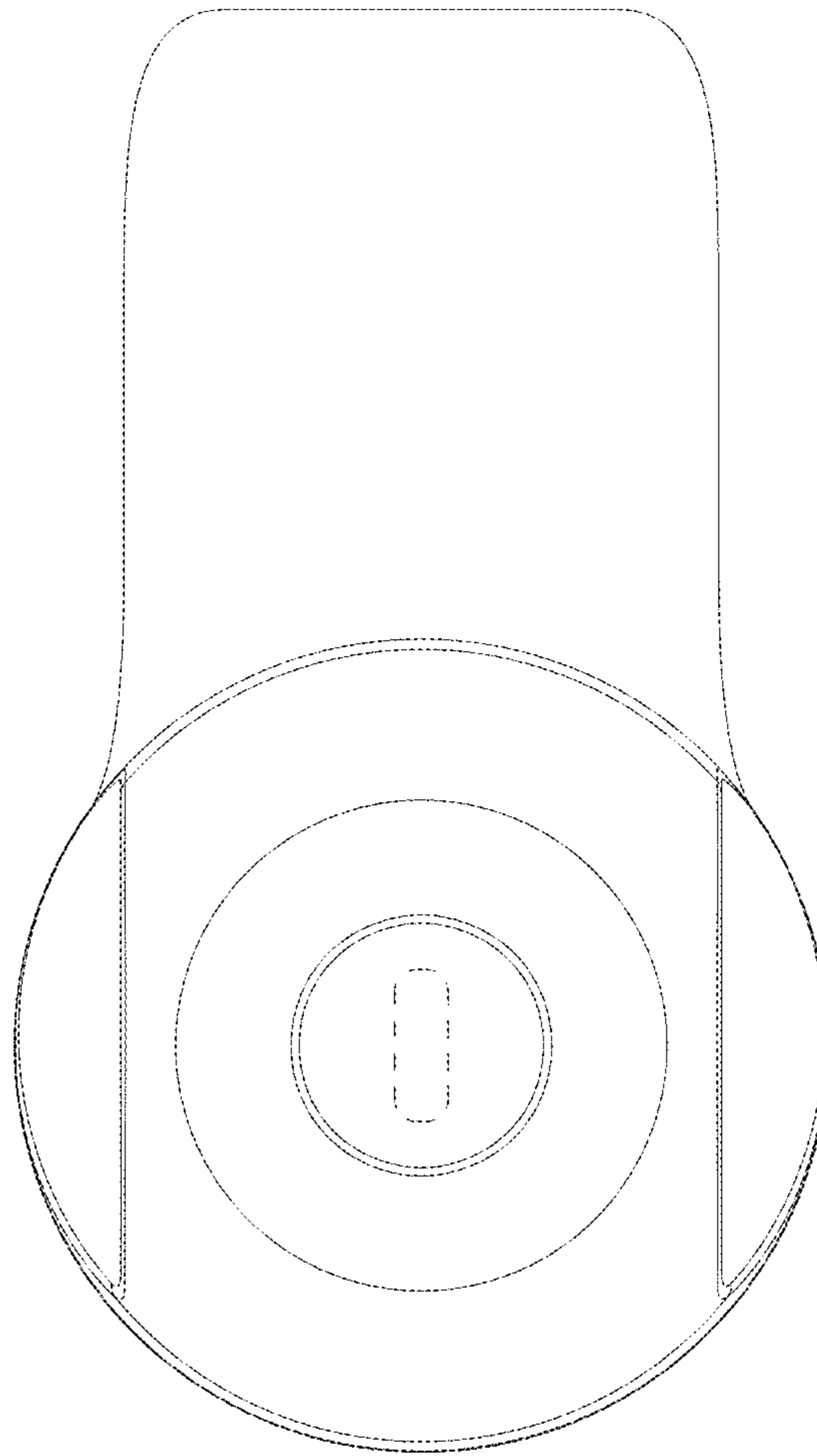


FIG. 7