



US00D985137S

(12) **United States Design Patent**
Zhang

(10) **Patent No.:** **US D985,137 S**

(45) **Date of Patent:** **** May 2, 2023**

(54) **MASSAGER**

(71) Applicant: **SHENZHEN DONGJILIAN
MEDICAL TECH CO., LTD.,**
Shenzhen (CN)

(72) Inventor: **Hong Zhang,** Shenzhen (CN)

(73) Assignee: **SHENZHEN DONGJILIAN
MEDICAL TECH CO., LTD.,**
Shenzhen (CN)

(**) Term: **15 Years**

(21) Appl. No.: **29/745,606**

(22) Filed: **Aug. 7, 2020**

(30) **Foreign Application Priority Data**

Jun. 29, 2020 (CN) 202030339600.7

(51) **LOC (14) Cl.** **24-01**

(52) **U.S. Cl.**
USPC **D24/215**

(58) **Field of Classification Search**
USPC D24/200, 211, 212, 213, 214, 215;
D8/14.1; D28/13
CPC A61H 23/006; A61H 2201/0153; A61H
2201/0157; A61H 15/0085; A61H 7/005;
A61H 23/00; A61H 7/003; A61H 7/007;
A61H 1/008
See application file for complete search history.

(56) **References Cited**

U.S. PATENT DOCUMENTS

D403,075 S * 12/1998 Lie D24/215
D918,411 S * 5/2021 Xu D24/215
D924,424 S * 7/2021 Wang D24/215
D932,045 S * 9/2021 Shen D24/215
D937,431 S * 11/2021 Li D24/215
D945,005 S * 3/2022 Gao D24/215
D949,411 S * 4/2022 Chen D24/215

D949,412 S * 4/2022 Chen D24/215
D953,556 S * 5/2022 Marton D24/215
D953,559 S * 5/2022 He D24/215
D961,797 S * 8/2022 Huang D24/215

(Continued)

OTHER PUBLICATIONS

Amazon, "Quinear Mini Massage Gun" Date First Available: Sep. 15, 2020. https://www.amazon.com/QUINEAR-Massage-Percussion-Massager-Shoulder/dp/B08J44VSFD/ref=cm_cr_ar_p_d_product_top?ie=UTF8 (Year: 2020).*

(Continued)

Primary Examiner — Michael A Maharajh

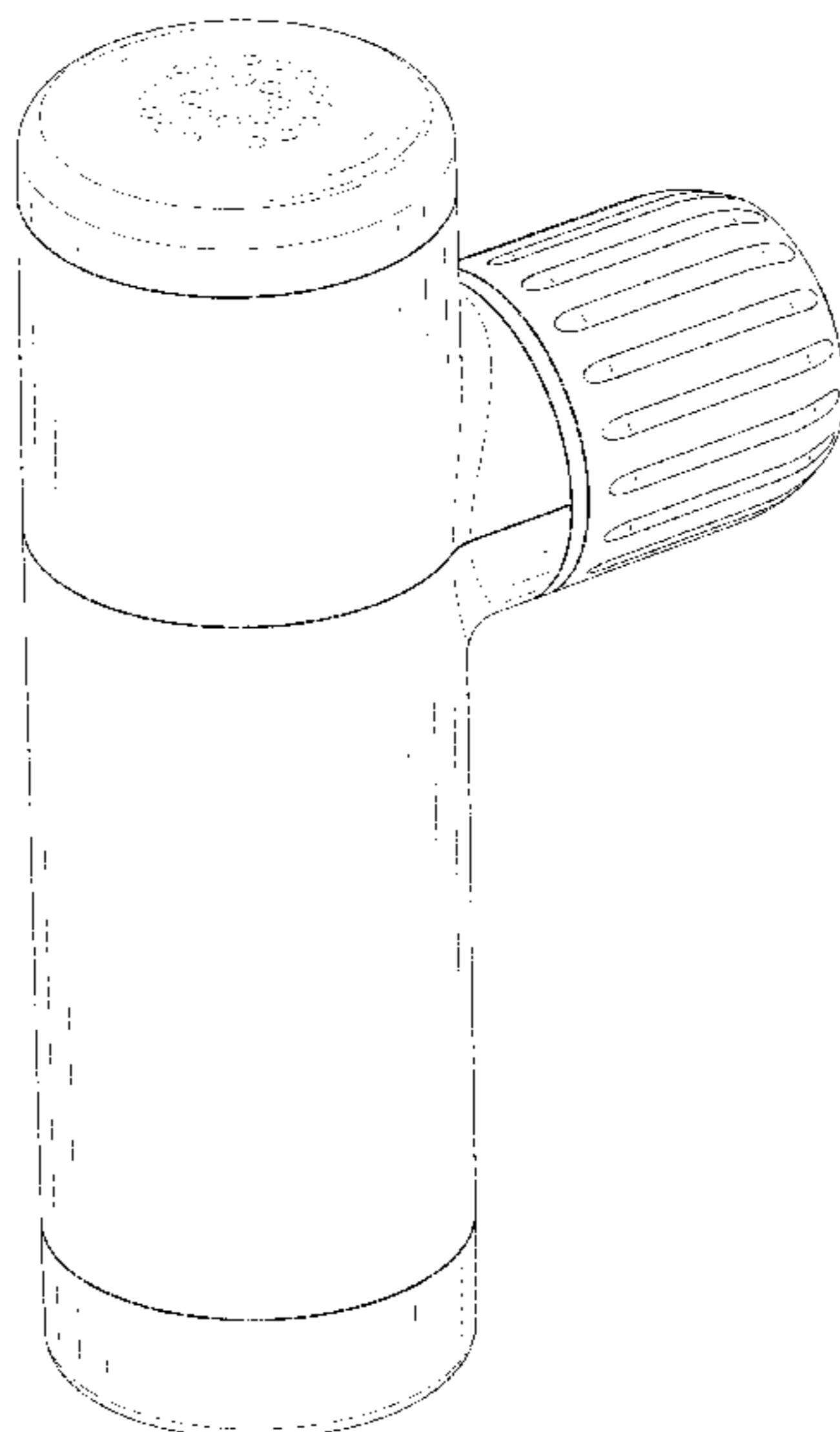
(57) **CLAIM**

The ornamental design for a massager, as shown and described.

DESCRIPTION

FIG. 1 is a perspective view of a massager showing my new design;
FIG. 2 is another perspective view thereof;
FIG. 3 is a front elevational view thereof;
FIG. 4 is a rear elevational view thereof;
FIG. 5 is a left side elevational view thereof;
FIG. 6 is a right side elevational view thereof;
FIG. 7 is a top plan view thereof;
FIG. 8 is a bottom plan view thereof;
FIG. 9 is a perspective view of the massager where the massager is in a first configuration of use;
FIG. 10 is a perspective view of the massager where the massager is in a second configuration of use;
FIG. 11 is a perspective view of the massager where the massager is in a third configuration of use; and,
FIG. 12 is a perspective view of the massager where the massager is in a fourth configuration of use.
The broken lines in the drawings depict portions of the massager that form no part of the claimed design.

1 Claim, 12 Drawing Sheets



(56)

References Cited

U.S. PATENT DOCUMENTS

D963,879 S * 9/2022 Li D24/215
D964,585 S * 9/2022 Tang D24/215
D965,167 S * 9/2022 Yu D24/215

OTHER PUBLICATIONS

Amazon, "Shine Well Mini Massage Gun", Date First Available:
Mar. 24, 2021. https://www.amazon.com/Massage-Athletes-Massager-Rechargeable-Powerful/dp/B08ZYFK1PR/ref=cm_cr_ar_p_d_product_top?ie=UTF8 (Year: 2021).*

Quinear, "Quinear Portable Mini Massage Gun", Access Date: Oct.
27, 2022. <https://www.quinear-ec.com/product/mini-massage-gun/>
(Year: 2022).*

* cited by examiner

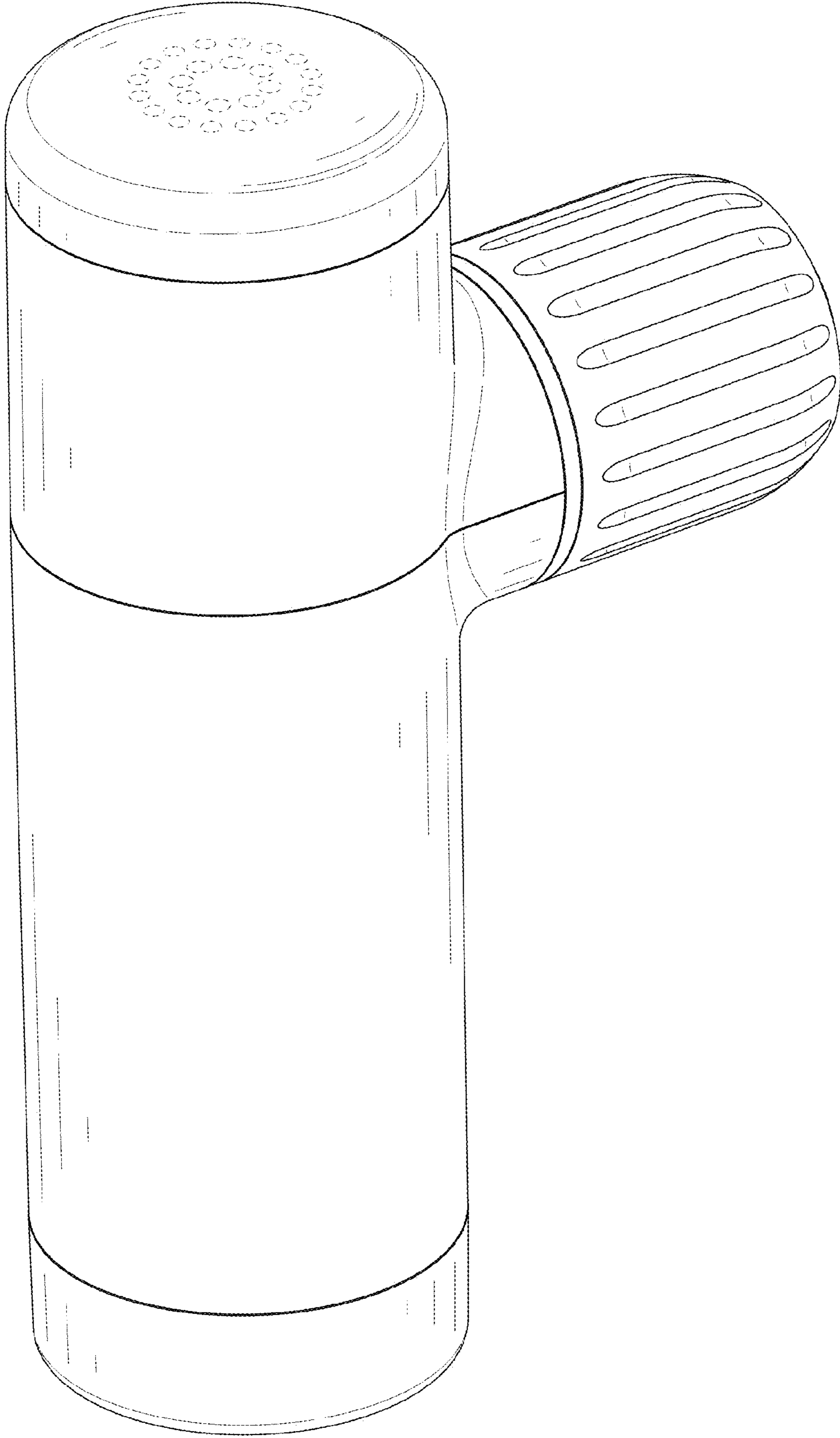


FIG. 1

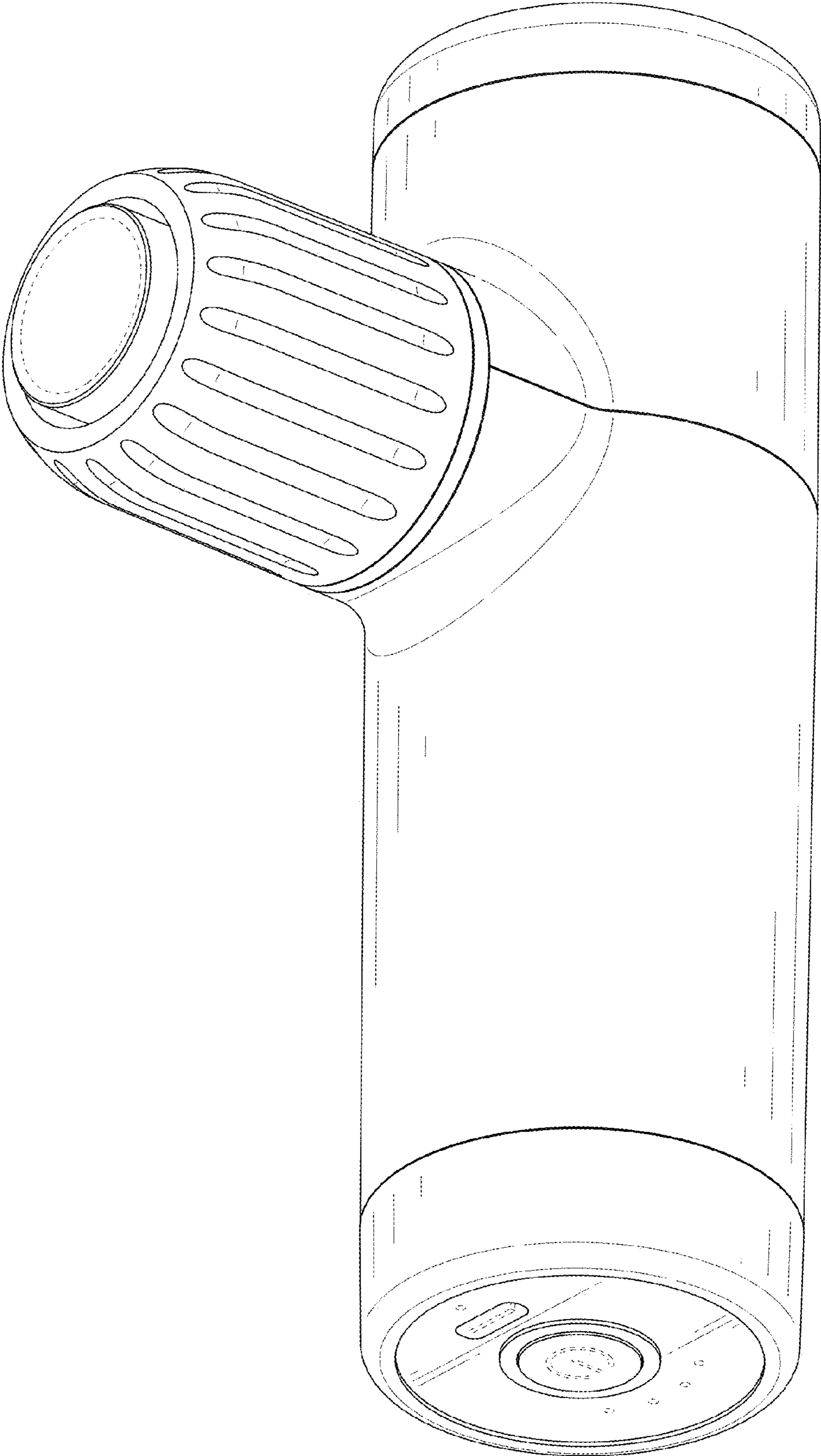


FIG. 2

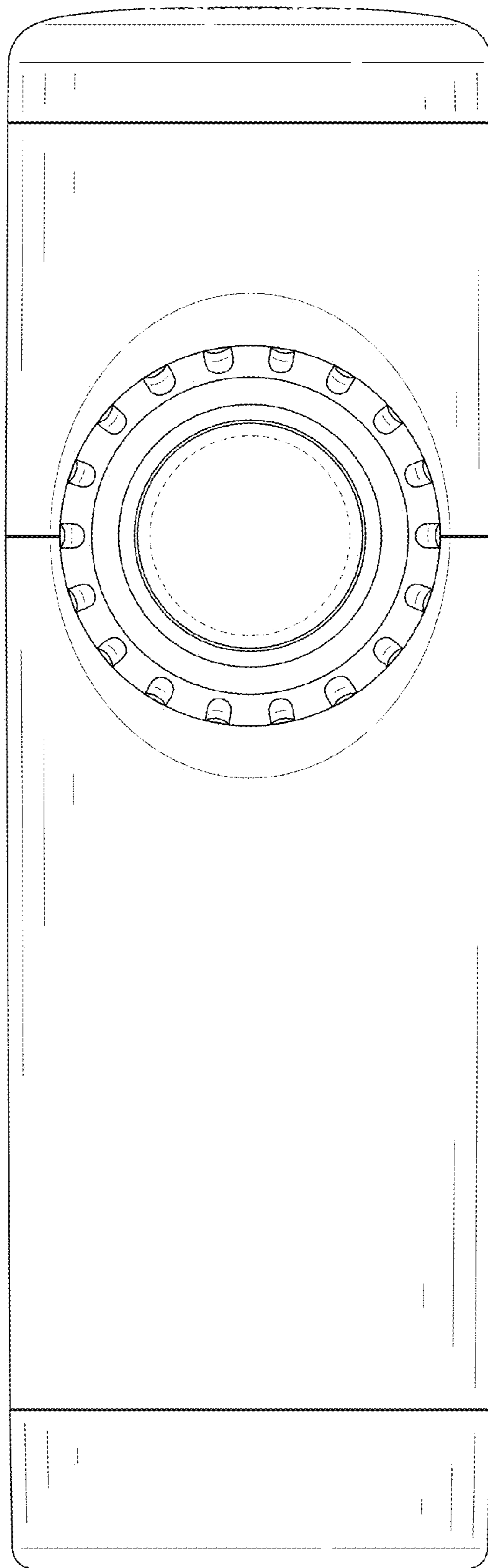


FIG. 3

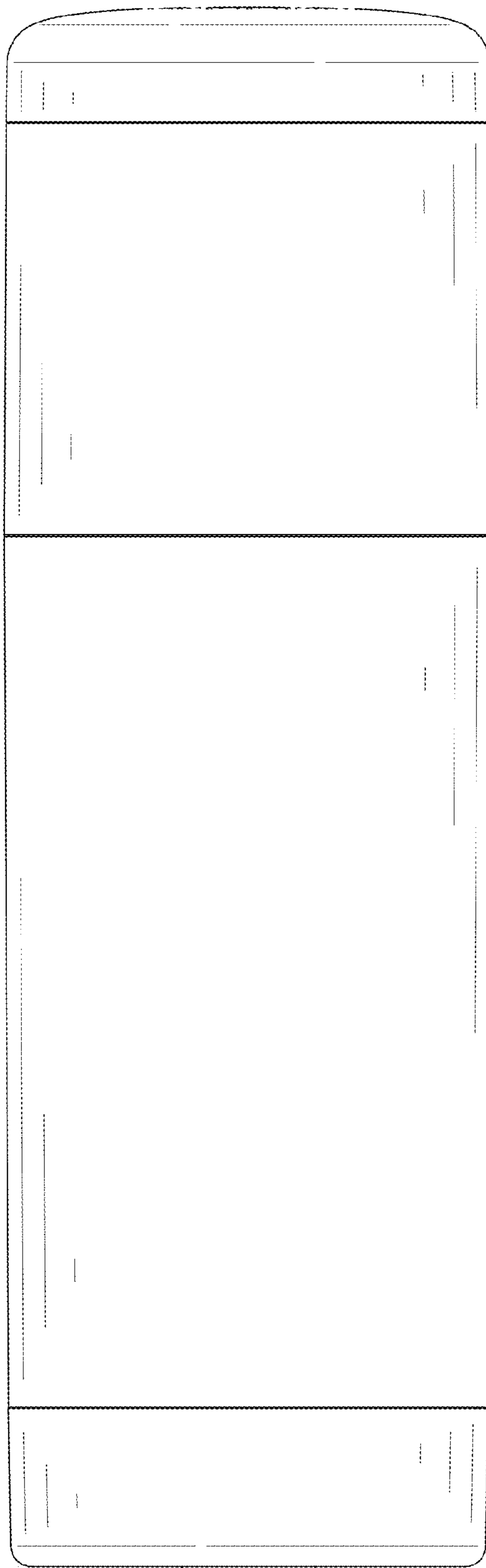


FIG. 4

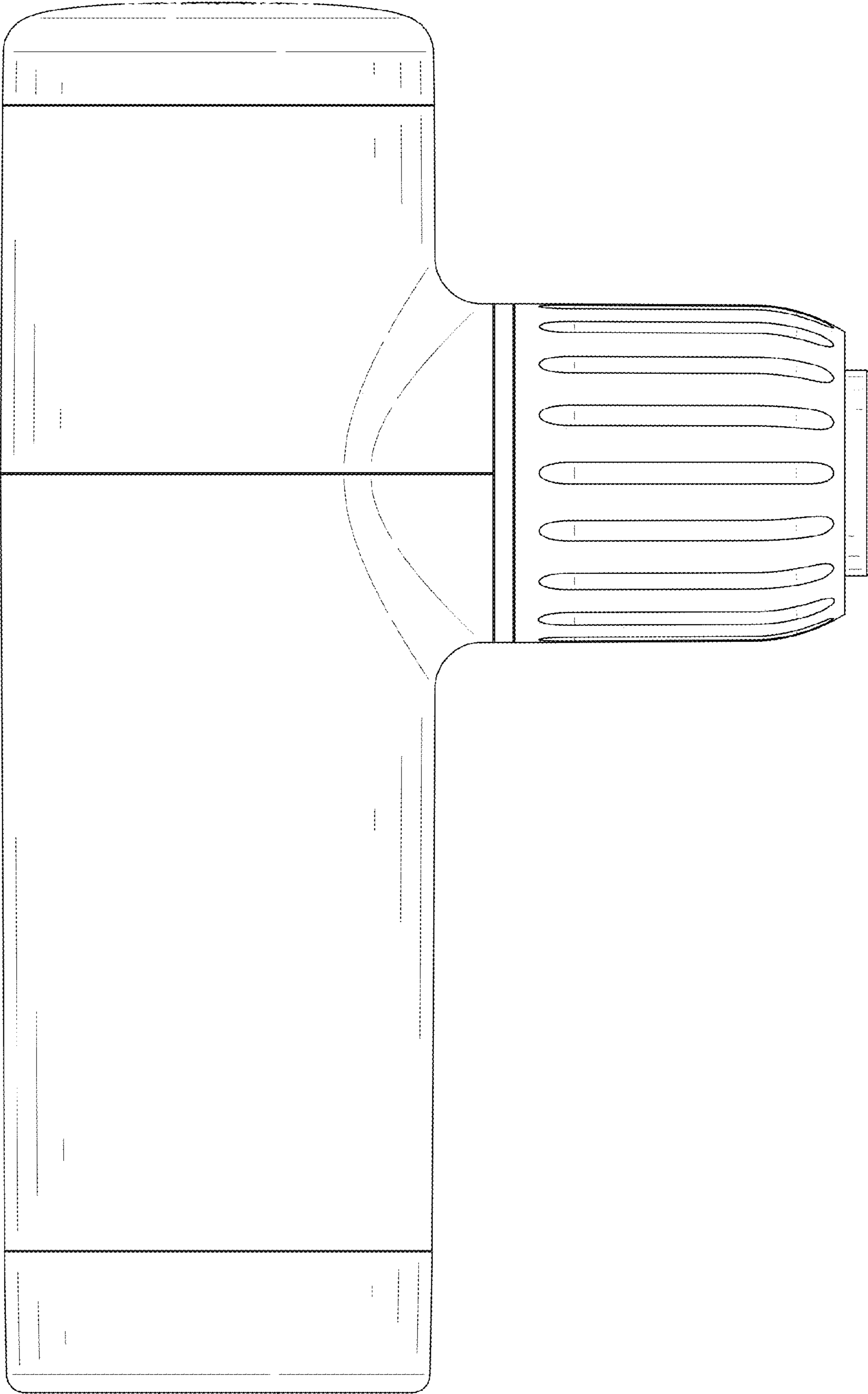


FIG. 5

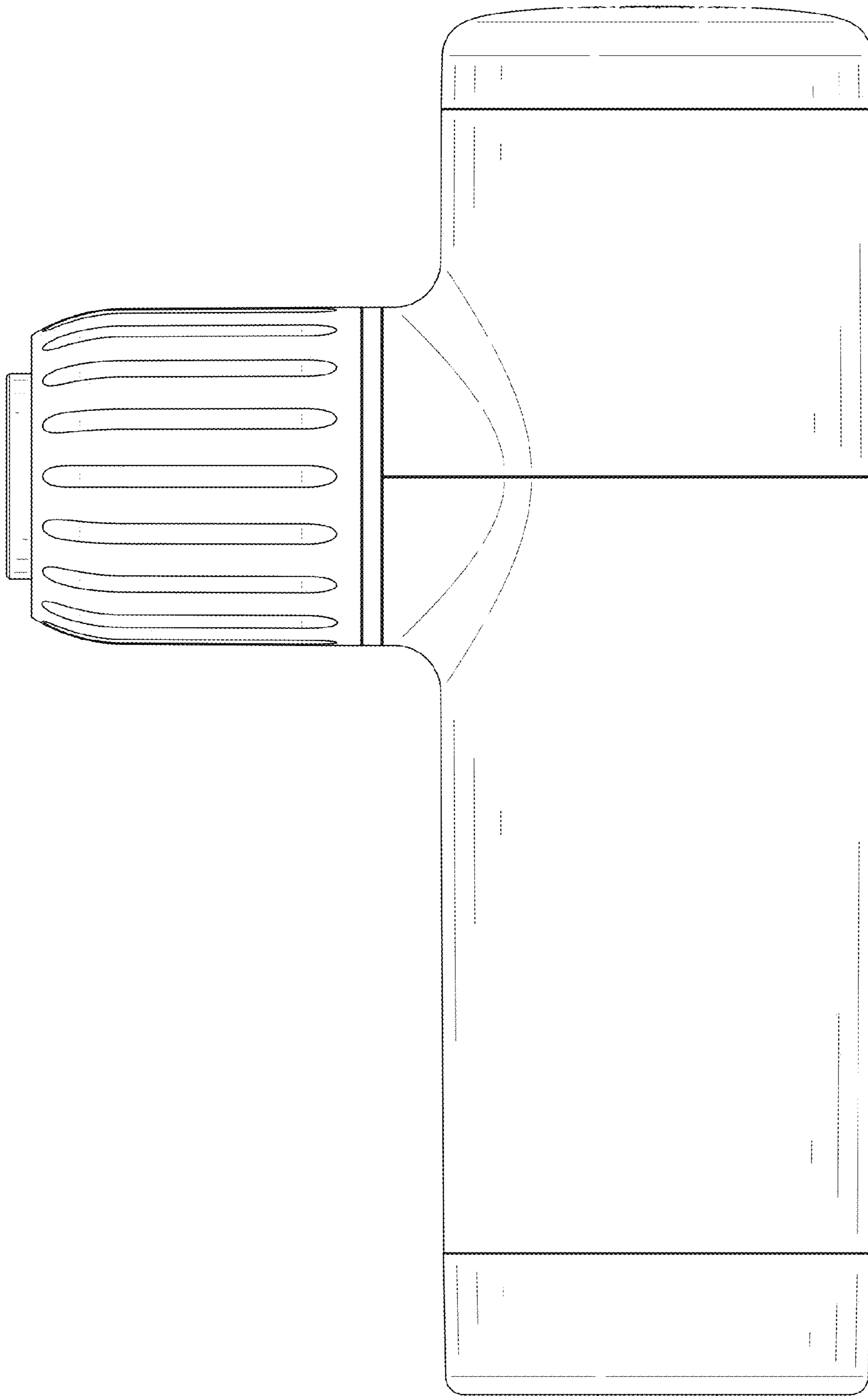


FIG. 6

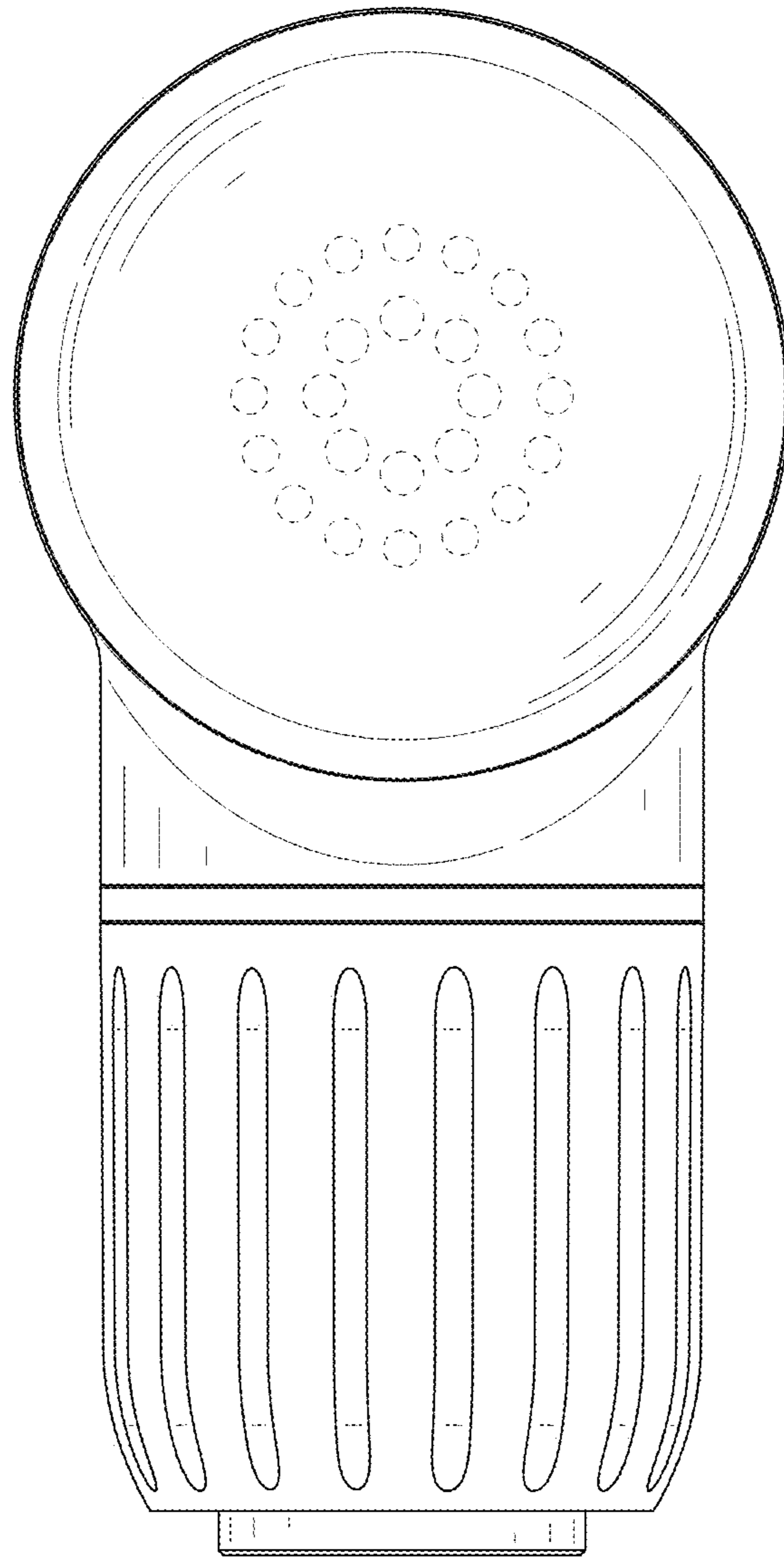


FIG. 7

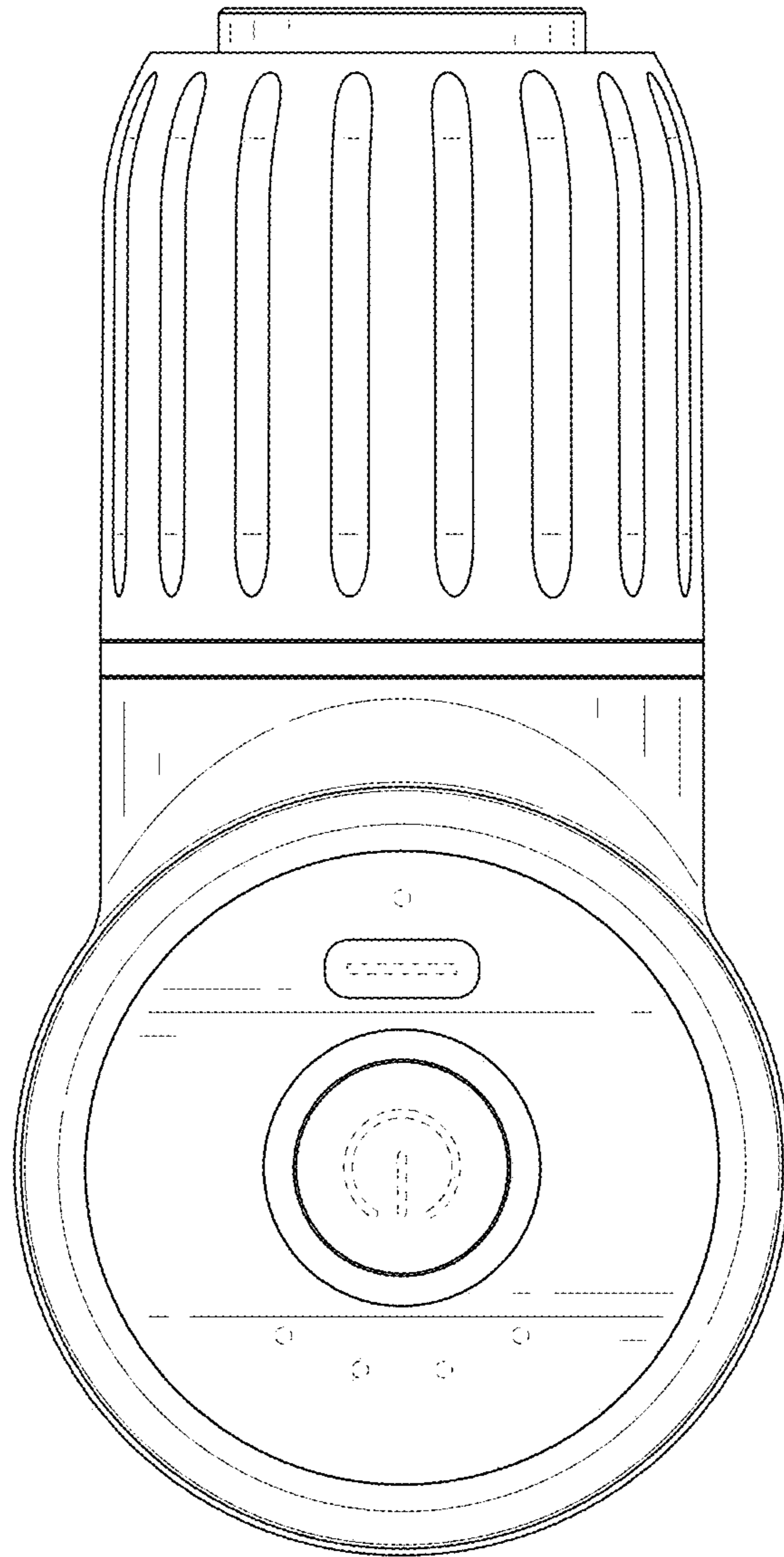


FIG. 8

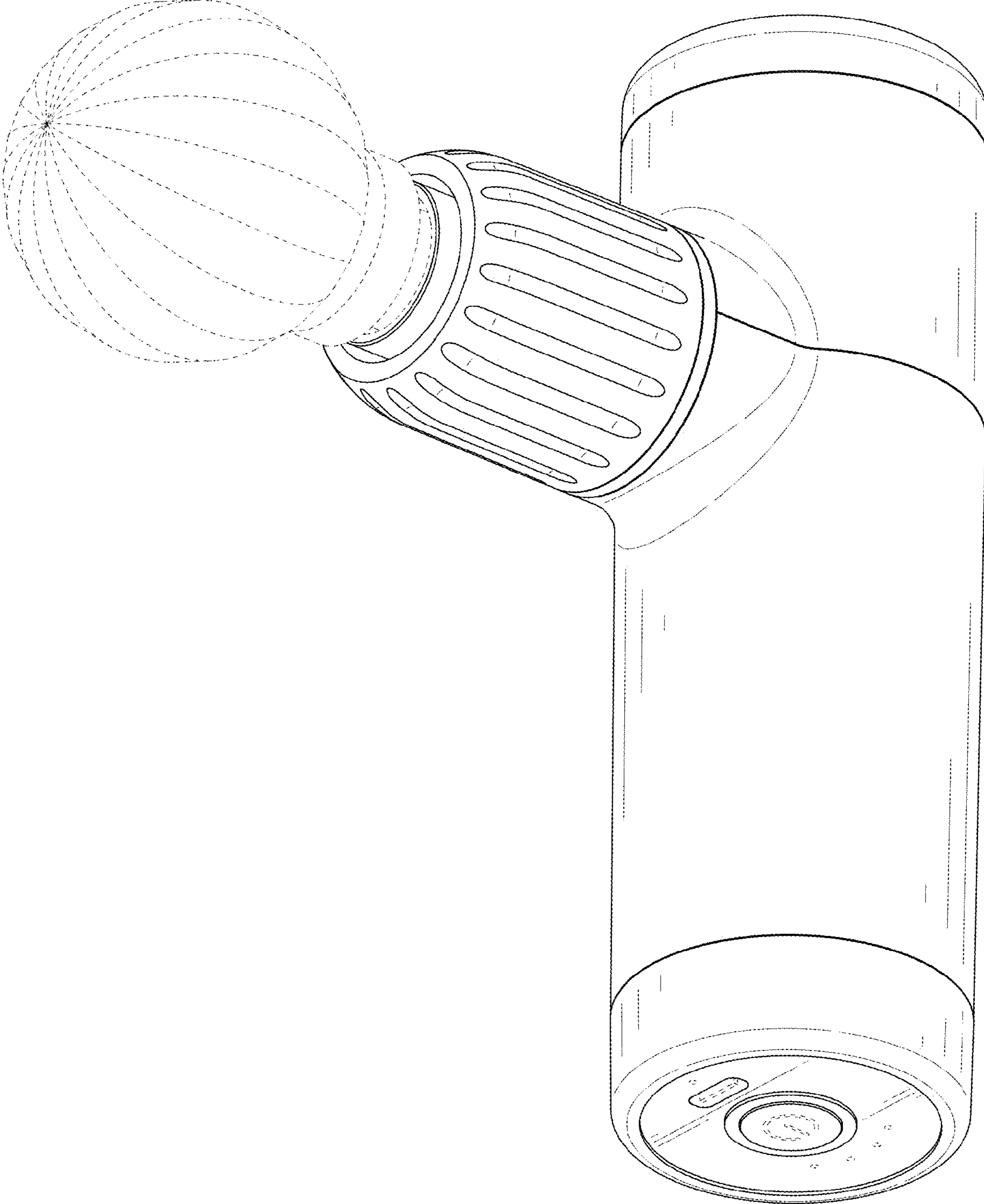


FIG. 9

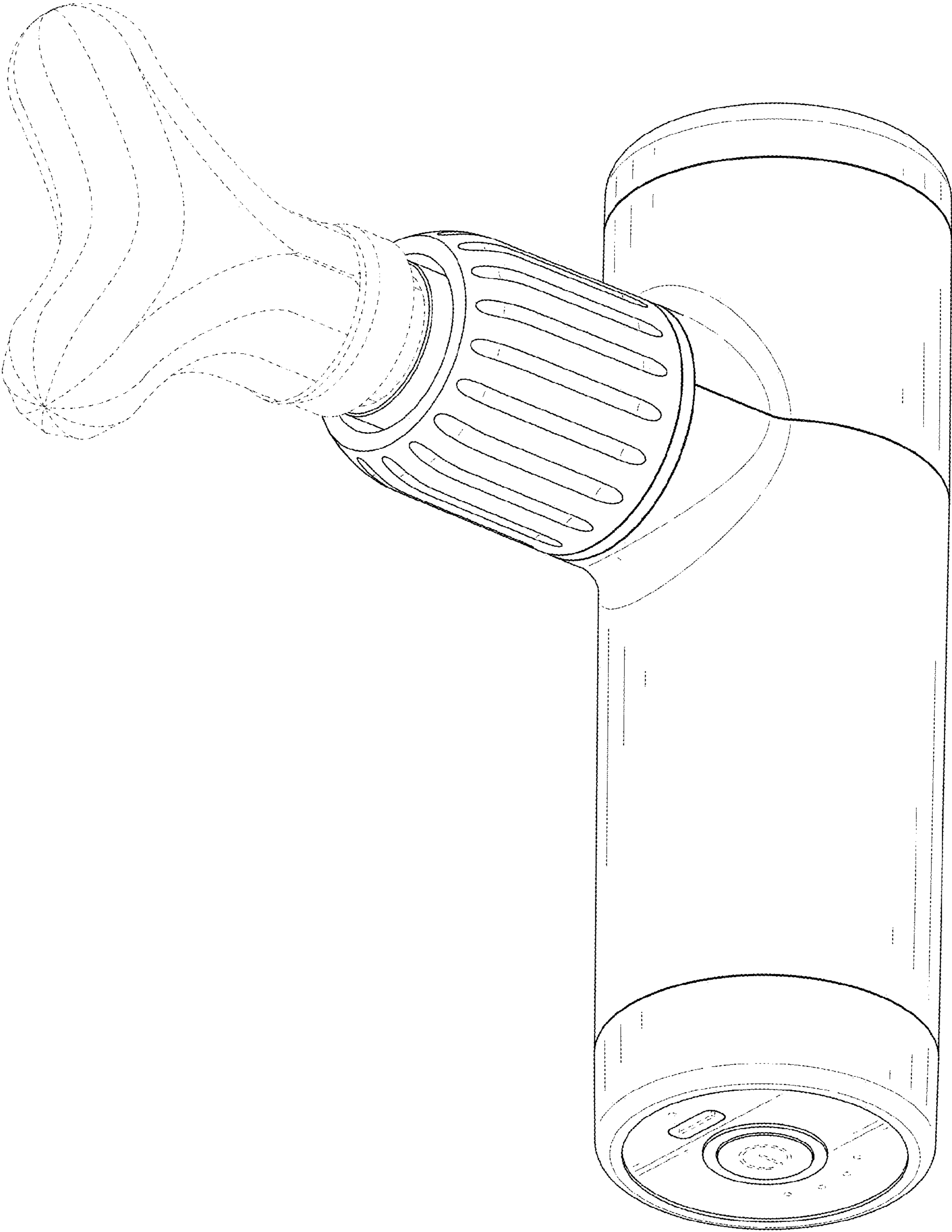


FIG. 10

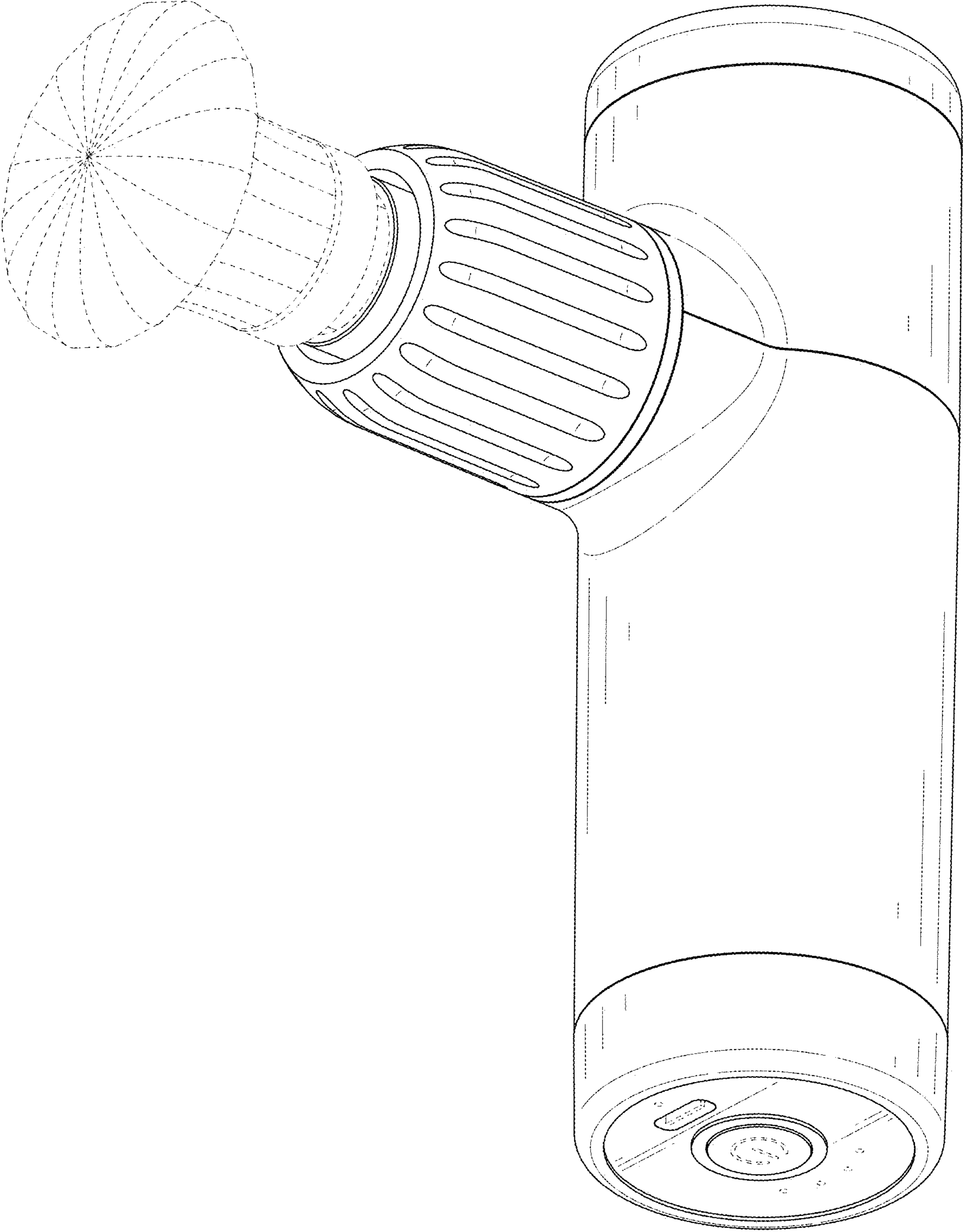


FIG. 11

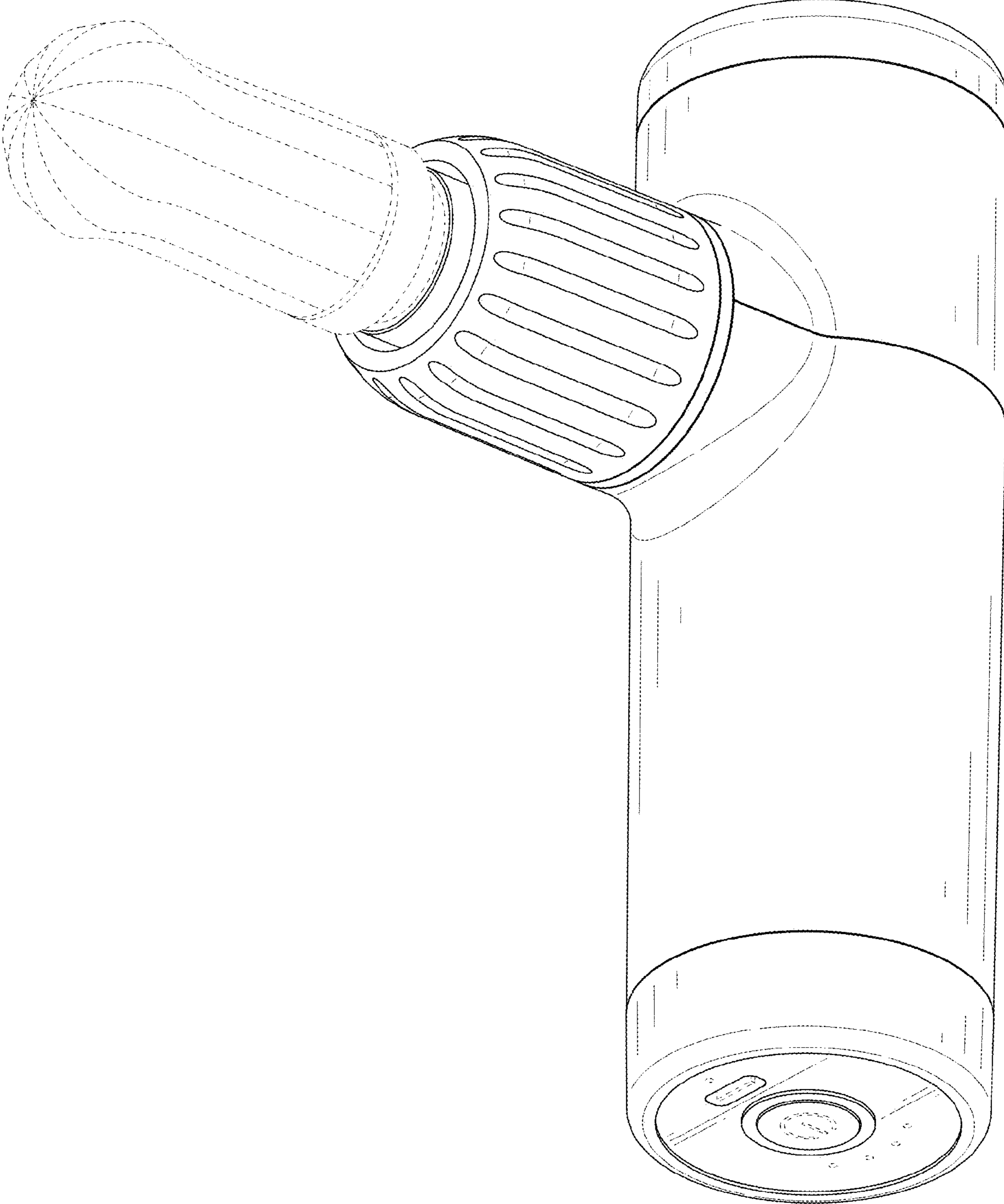


FIG. 12