



US00D985130S

(12) **United States Design Patent** (10) **Patent No.:** **US D985,130 S**
Jalinous (45) **Date of Patent:** **** *May 2, 2023**

(54) **COIL**

(71) Applicant: **Reza Jalinous**, Winchester, MA (US)

(72) Inventor: **Reza Jalinous**, Winchester, MA (US)

(*) Notice: This patent is subject to a terminal disclaimer.

(**) Term: **15 Years**

(21) Appl. No.: **29/718,285**

(22) Filed: **Dec. 23, 2019**

(51) **LOC (14) Cl.** **24-02**

(52) **U.S. Cl.**
USPC **D24/187**

(58) **Field of Classification Search**
USPC D24/186, 187, 190, 191, 200, 214, 215;
D10/81

CPC A61N 2/008; A61N 2/006; A61B 5/6803
See application file for complete search history.

(56) **References Cited**

U.S. PATENT DOCUMENTS

D335,348 S *	5/1993	Frenkel	D24/224
D360,264 S *	7/1995	Wolff	D24/224
D367,932 S *	3/1996	Lim	D24/224
D481,133 S *	10/2003	Blouin	D24/216
D787,086 S *	5/2017	Ohsaka	D24/224
D787,699 S *	5/2017	Ohsaka	D24/224
D800,915 S *	10/2017	Livingston	D24/224
D809,154 S *	1/2018	Livingston	D24/224
D871,234 S *	12/2019	Grove	D9/761
D920,521 S *	5/2021	Jalinous	D24/187

D922,589 S *	6/2021	Jalinous	D24/187
D926,996 S *	8/2021	Jalinous	D24/187
2018/0224177 A1*	8/2018	Gaines	F25C 1/243

OTHER PUBLICATIONS

Double 70mm Coil Set. Online, published date unknown. Retrieved on Sep. 27, 2021 from URL: <https://www.jaltron-coils.com/double-70mm-coil-set>.*

Transcranial magnetic stimulation coil. Online, published date unknown. Retrieved on Sep. 27, 2021 from URL: <https://www.medicalexpo.com/prod/mag-more/product-76676-699568.html>.*

* cited by examiner

Primary Examiner — Omeed Agilee

(74) *Attorney, Agent, or Firm* — Lambert Shortell & Connaughton; David J. Connaughton, Jr.

(57) **CLAIM**

The ornamental design for a coil, as shown and described.

DESCRIPTION

FIG. 1 is a top side isometric view of a coil which embodies my new design;

FIG. 2 is a top perspective view thereof;

FIG. 3 is a top view thereof;

FIG. 4 is a bottom view thereof;

FIG. 5 is a front view thereof;

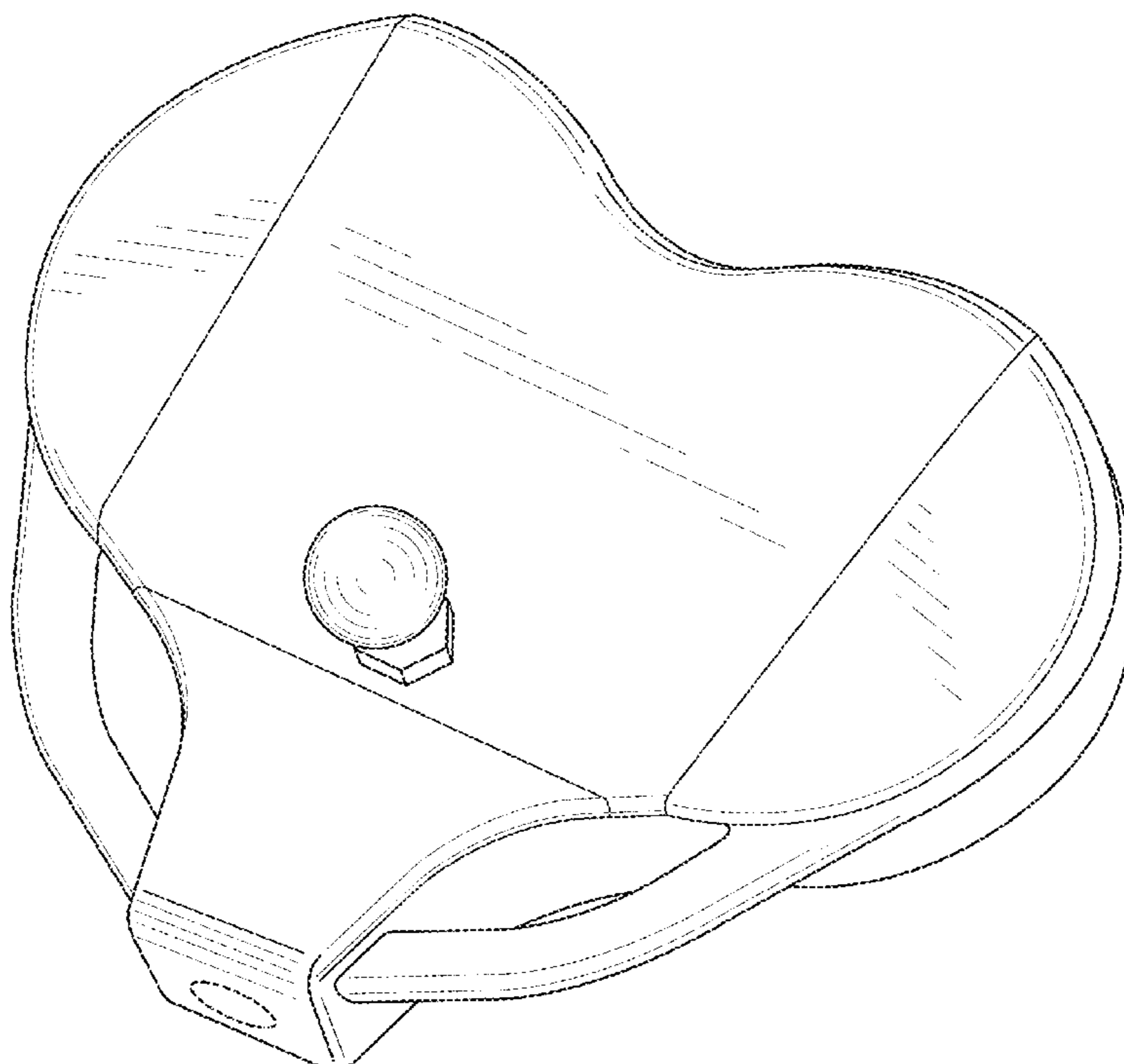
FIG. 6 is a rear view thereof;

FIG. 7 is a left side view thereof; and,

FIG. 8 is a right side view thereof.

The dash lines depict portions of the coil that form no part of the claimed design. The dot dash broken lines depict the boundaries of the claim and form no part thereof.

1 Claim, 6 Drawing Sheets



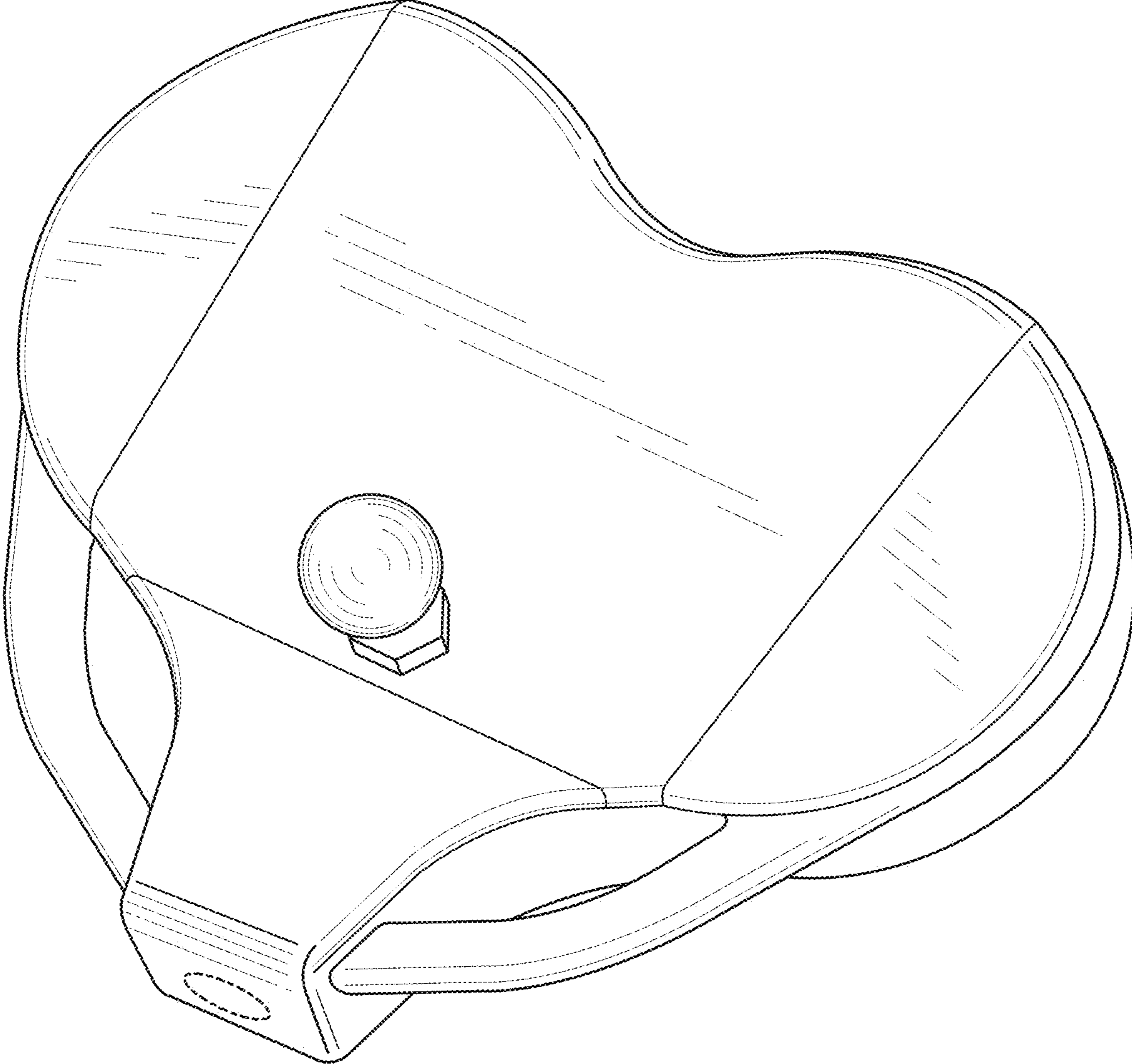


Fig. 1

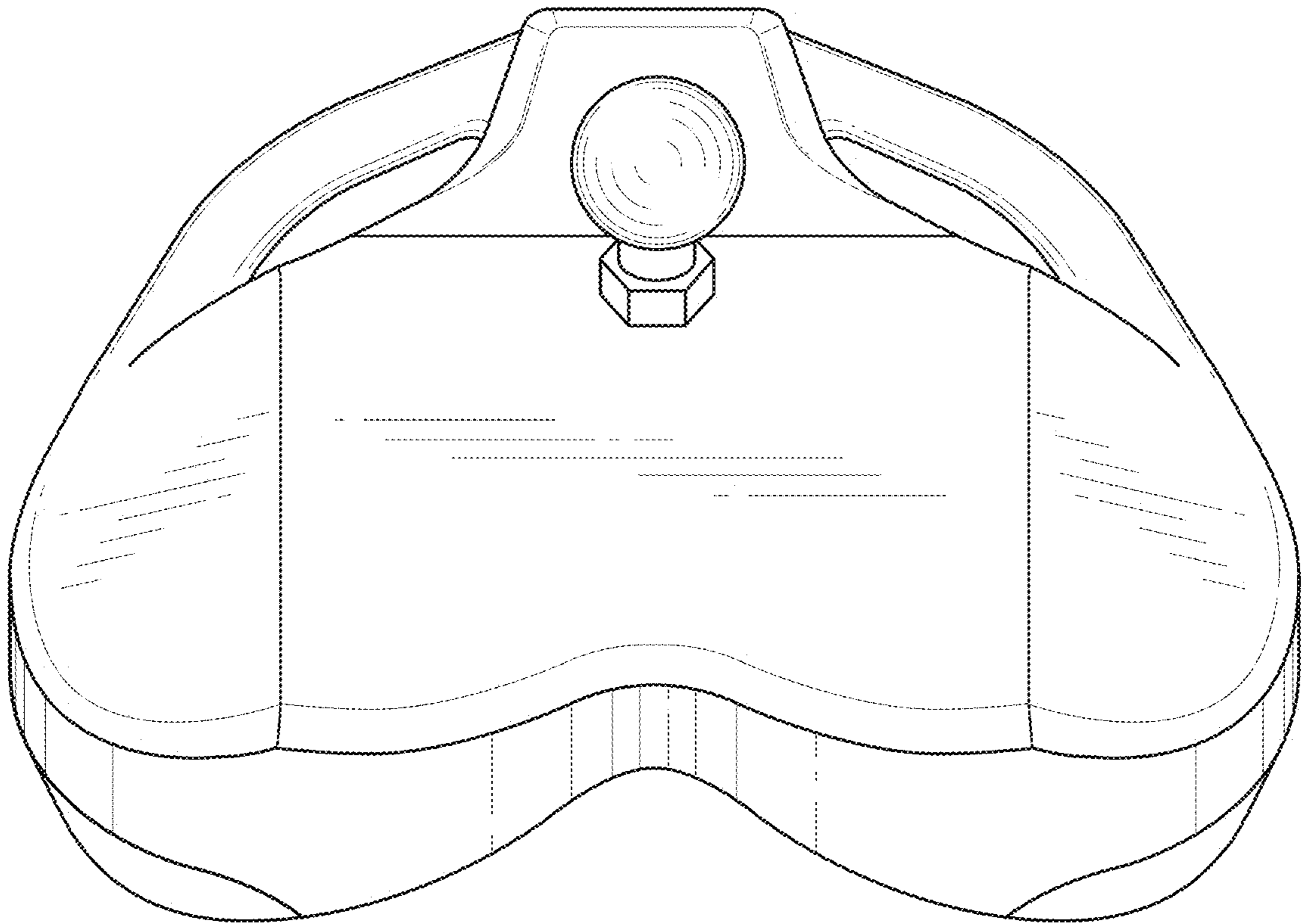


Fig. 2

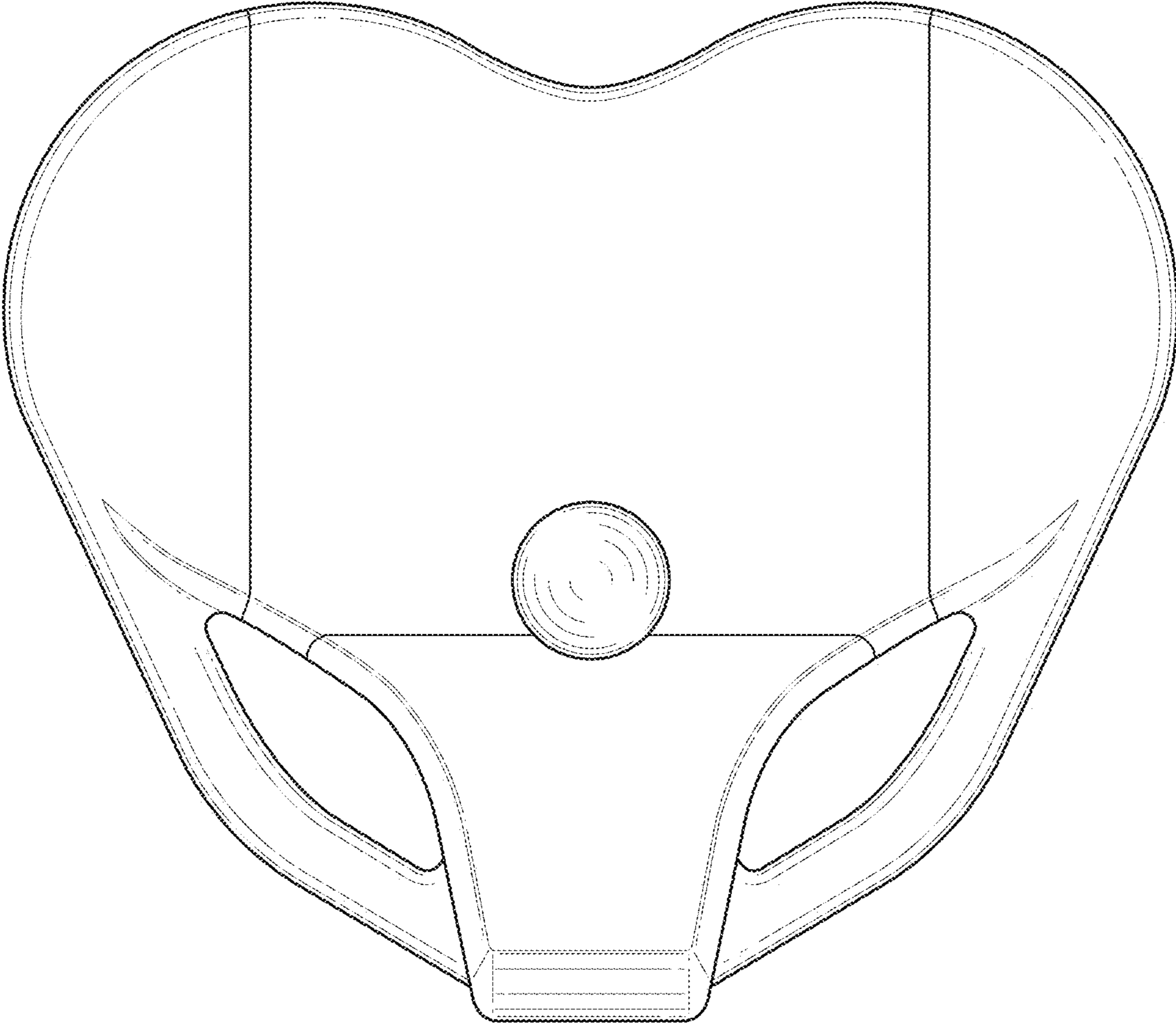


Fig. 3

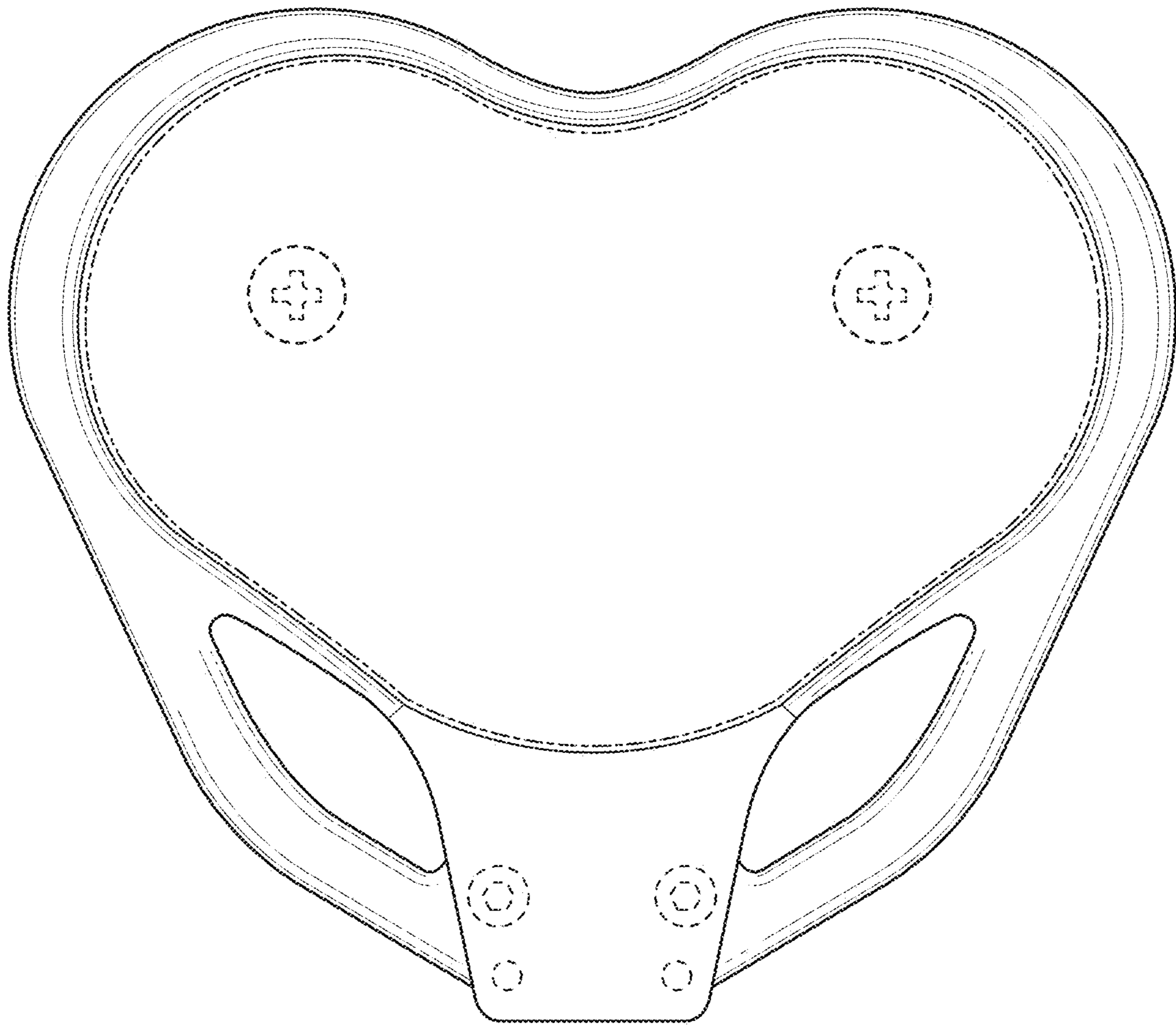


Fig. 4

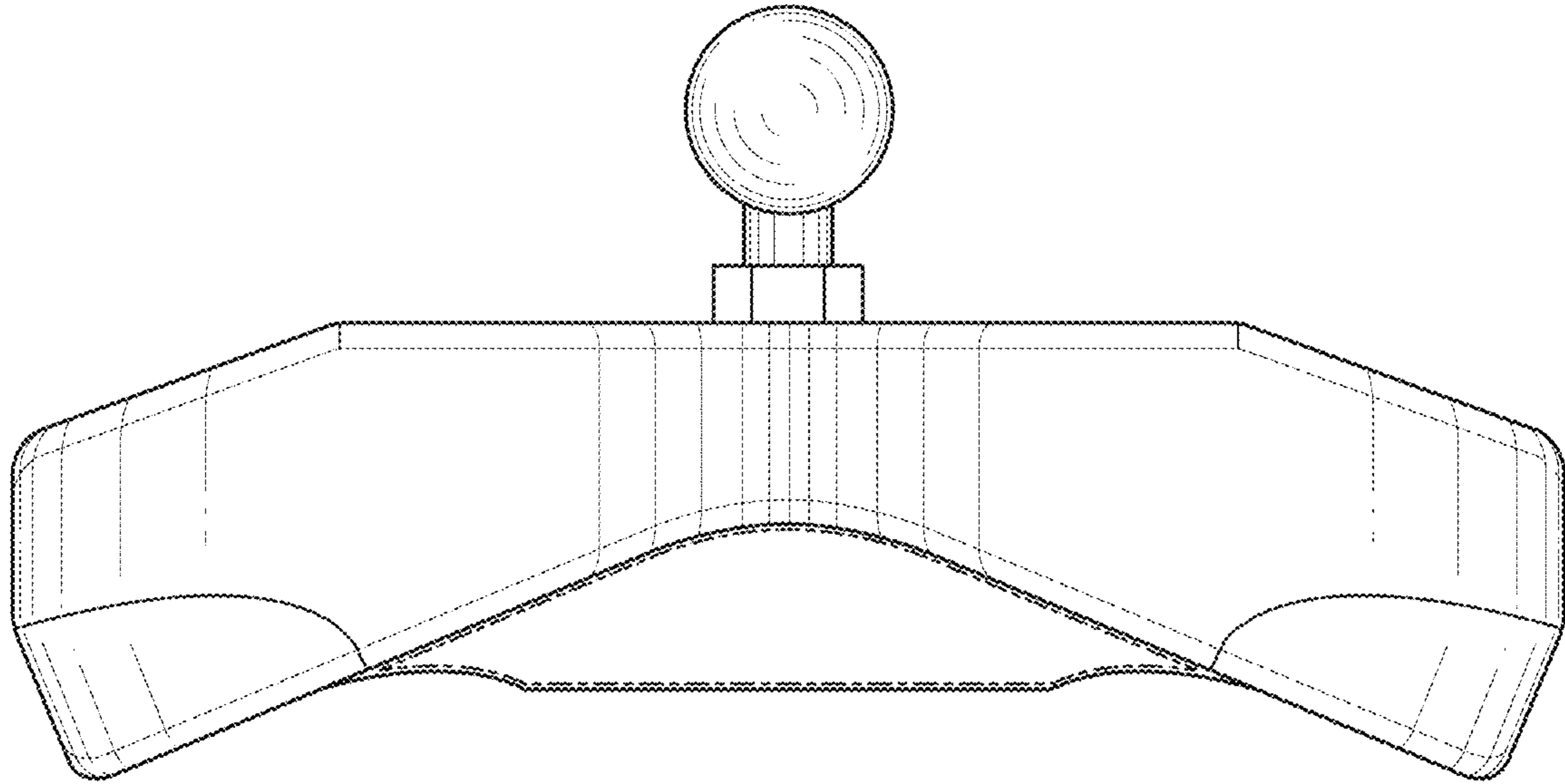


Fig. 5

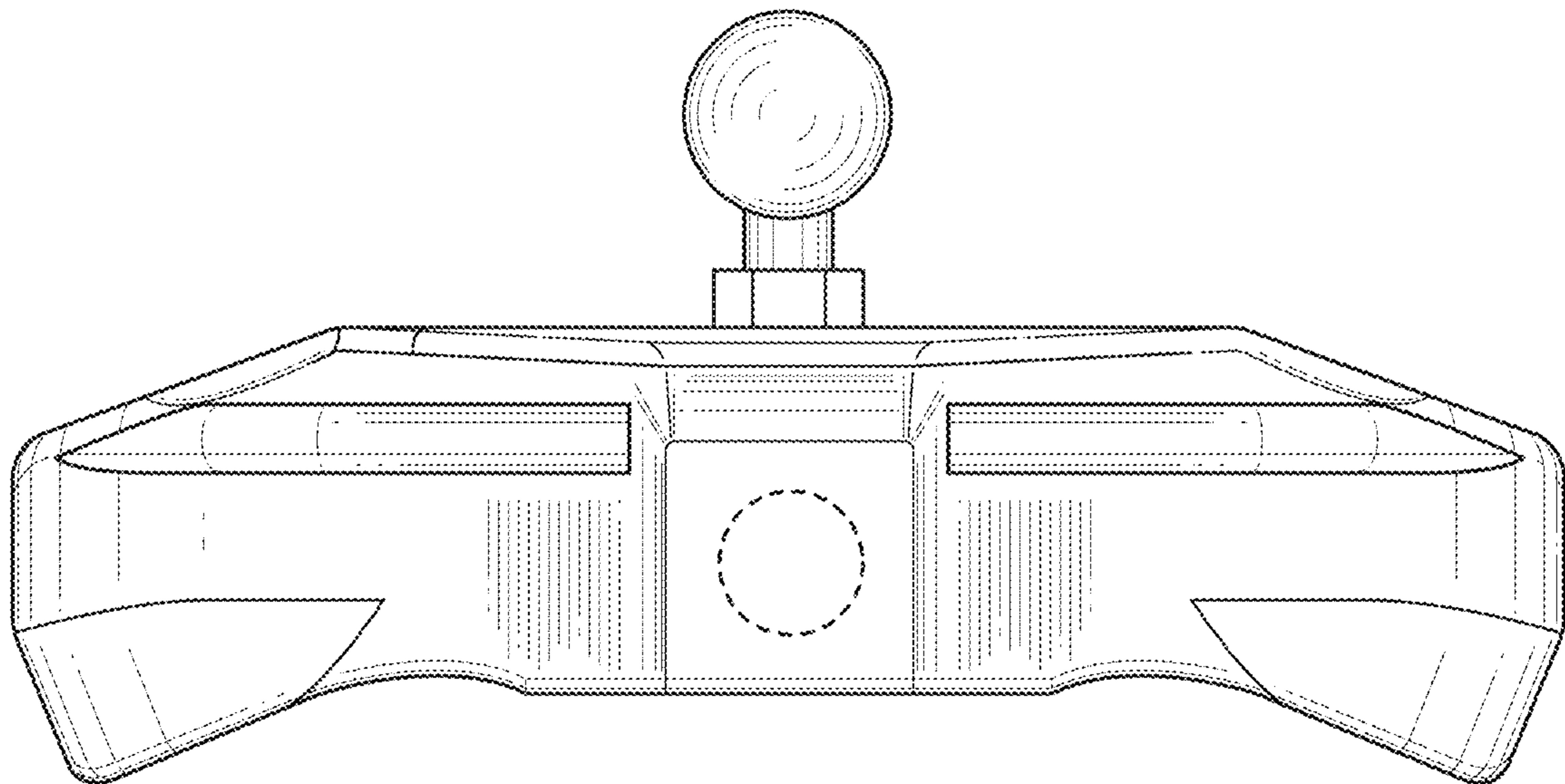


Fig. 6

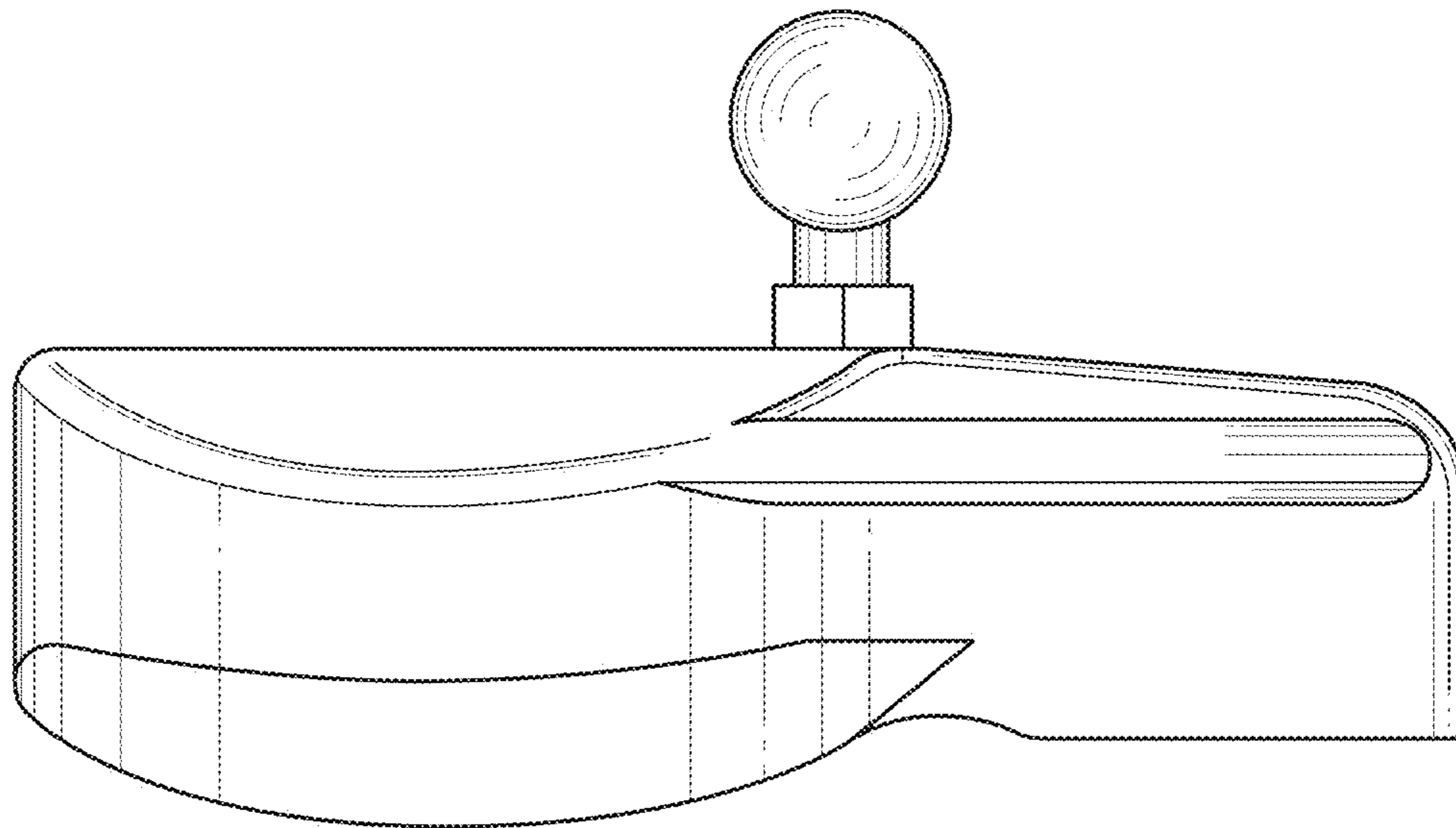


Fig. 7

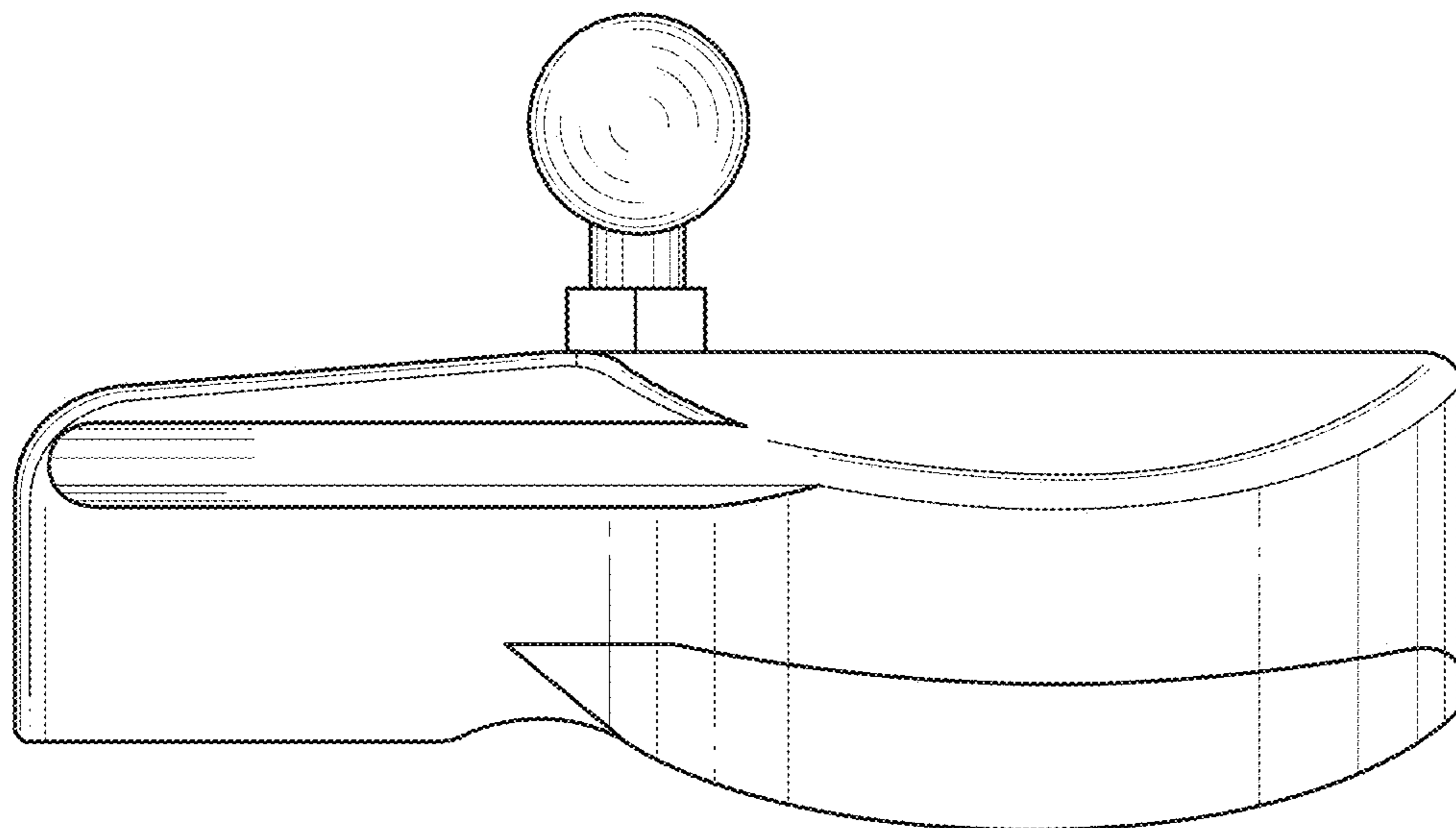


Fig. 8