



US00D985126S

(12) **United States Design Patent** (10) **Patent No.:** **US D985,126 S**
Li (45) **Date of Patent:** **** May 2, 2023**

(54) **BLOOD PRESSURE MONITOR**

FOREIGN PATENT DOCUMENTS

(71) Applicant: **Shenzhen Finicare Co., Ltd.**, Shenzhen (CN)

CN 305511424 * 12/2019
GB 6160928 * 9/2021

(Continued)

(72) Inventor: **Chao Li**, Shenzhen (CN)

(73) Assignee: **Shenzhen Finicare Co., Ltd.**, Shenzhen (CN)

(**) Term: **15 Years**

(21) Appl. No.: **29/871,014**

(22) Filed: **Feb. 10, 2023**

(51) **LOC (14) Cl.** **24-02**

(52) **U.S. Cl.**
USPC **D24/165**

(58) **Field of Classification Search**
USPC D24/107, 164–168, 187; D10/70, 75, 78
CPC A61B 5/0402; A61B 5/0404; A61B 5/021;
A61B 5/024; A61B 5/02438; A61B
5/681; A61B 2560/0205; A61B
2560/0462
See application file for complete search history.

(56) **References Cited**

U.S. PATENT DOCUMENTS

D473,308 S	*	4/2003	Nakanishi	D24/165
D475,788 S	*	6/2003	Inagaki	D24/165
D484,980 S	*	1/2004	Hartwein	D24/165
D525,710 S	*	7/2006	Kobayashi	D24/165
D533,279 S	*	12/2006	Kobayashi	D24/165
D533,666 S	*	12/2006	Kobayashi	D24/165
D535,028 S	*	1/2007	Kobayashi	D24/165
D537,944 S	*	3/2007	Eda	D24/165
D541,941 S	*	5/2007	Nakanishi	D24/165
D562,457 S	*	2/2008	Ferber	D24/165
D569,521 S		5/2008	Omaki		
D569,978 S	*	5/2008	Eda	D24/165
D577,440 S	*	9/2008	Ferber	D24/165
D583,474 S	*	12/2008	Mitsunami	D24/165
D642,274 S	*	7/2011	Ogihara	D24/165
D651,716 S	*	1/2012	Shibata	D24/165

(Continued)

OTHER PUBLICATIONS

[Factory CE Approved Hot Selling Fast Delivery Hospital Wireless Smart BP Electronic Upper Arm Blood Pressure Monitor], alibaba.com, Posted: Date [Jun. 7, 2022], site visited: [Mar. 10, 2023], URL: <https://www.alibaba.com/product-detail/Factory-CE-Approved-Hot-Selling-Fast_1600213643888.html?spm=a2700.shop_index.86.3.7b0a254dTMRIqN>. (Year: 2022).*

(Continued)

Primary Examiner — Jonathan J Han

Assistant Examiner — Amanda J Berlinski

(74) *Attorney, Agent, or Firm* — Jeenam Park

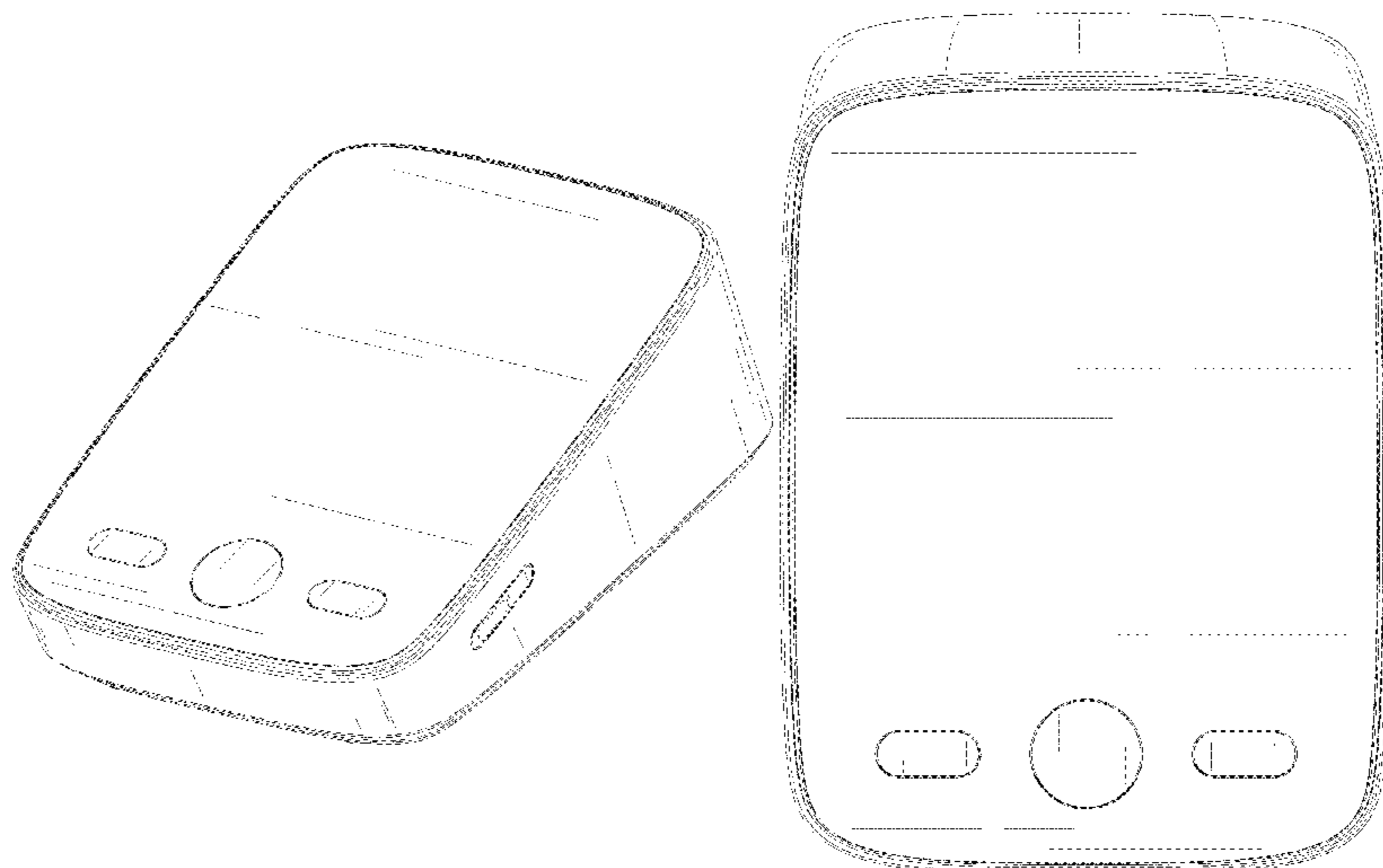
(57) **CLAIM**

The ornamental design for a blood pressure monitor, as shown and described.

DESCRIPTION

FIG. 1 is a front, right and bottom perspective view of a blood pressure monitor, showing my new design; FIG. 2 is a rear, left and top perspective view thereof; FIG. 3 is a front view thereof; FIG. 4 is a rear view thereof; FIG. 5 is a left side view thereof; FIG. 6 is a right side view thereof; FIG. 7 is a top plan view thereof; and, FIG. 8 is a bottom plan view thereof. The broken lines shown in the drawings illustrate portions of the blood pressure monitor that form no part of the claimed design.

1 Claim, 8 Drawing Sheets



(56)

References Cited

U.S. PATENT DOCUMENTS

D654,592 S * 2/2012 Kawasaki D24/165
 D665,501 S * 8/2012 Shibata D24/165
 D722,165 S * 2/2015 Pukall D24/165
 D739,938 S * 9/2015 Schempp D24/165
 D739,939 S * 9/2015 Uozumi D24/165
 D743,035 S * 11/2015 Uozumi D24/165
 D811,596 S 2/2018 Verbrugge et al.
 D811,597 S * 2/2018 Verbrugge D24/165
 D816,224 S * 4/2018 Wang D24/165
 D861,875 S * 10/2019 Nishiyama D24/165
 D862,702 S * 10/2019 Nishiyama D24/165
 D885,582 S * 5/2020 Nishiyama D24/165
 D903,120 S * 11/2020 Nishiyama D24/165
 D922,581 S * 6/2021 Wang D24/165
 D942,628 S * 2/2022 Dai D24/165
 D965,789 S * 10/2022 Al-Ali D24/165
 D978,353 S * 2/2023 Gao D24/165
 D979,065 S * 2/2023 Wang D24/165
 D979,067 S * 2/2023 Li D24/165
 D979,068 S * 2/2023 Li D24/165
 D979,756 S * 2/2023 Wang D24/165
 D979,757 S * 2/2023 Hirasawa D24/165
 D979,758 S * 2/2023 Hirasawa D24/165
 2010/0041965 A1 * 2/2010 Kang A61B 5/00
 600/301
 2015/0190064 A1 * 7/2015 Kinoshita A61B 5/7225
 600/490

FOREIGN PATENT DOCUMENTS

IN 321055-001-0001 * 10/2019
 IN 327856-001-0001 * 1/2021

OTHER PUBLICATIONS

[Blood Pressure Monitor Upper Arm Automatic Digital BP Monitor Large Cuff 8.66-16.5", 2 Users 180 Memory Large Display, Irregular Heart Rate Indication, with DC Adapter], Amazon.com, Date First Available: May 21, 2020 [online], Customer Review Oldest Date: Date [online], site visited: [Mar. 10, 2023], URL: <https://www.amazon.com/Pressure-Monitor-8-66-16-5-Irregular-Indication/dp/B0896ZVNHY>. (Year: 2020).*

[Paramed Blood Pressure Monitor—Bp Machine—Automatic Upper Arm Blood Pressure Cuff 8.7-15.7 inches—Large LCD Display 120 Sets Memory—Device Bag & Batteries Included], Amazon.com, Date First Available: Oct. 23, 2018[online], Customer Review Oldest Date: Nov. 22, 2018[online], site visited: [Mar. 10, 2023], URL: <https://www.amazon.com/dp/B07JN1DF1D/>. (Year: 2018).*

[Wrist Blood Pressure Monitor Digital BP Monitor Rechargeable BP Machine with 2x99 Readings Memory Large LCD Display Voice Broadcast Portable Carrying Case], Amazon.com, Date First Available: Apr. 15, 2022 [online], Customer Review Oldest Date: Sep. 28, 2021 [online], site visited: [Mar. 10, 2023], URL: <https://www.amazon.com/Pressure-Rechargeable-Readings-Broadcast-Portable/dp/B0B7N78RP2/>. (Year: 2022).*

* cited by examiner

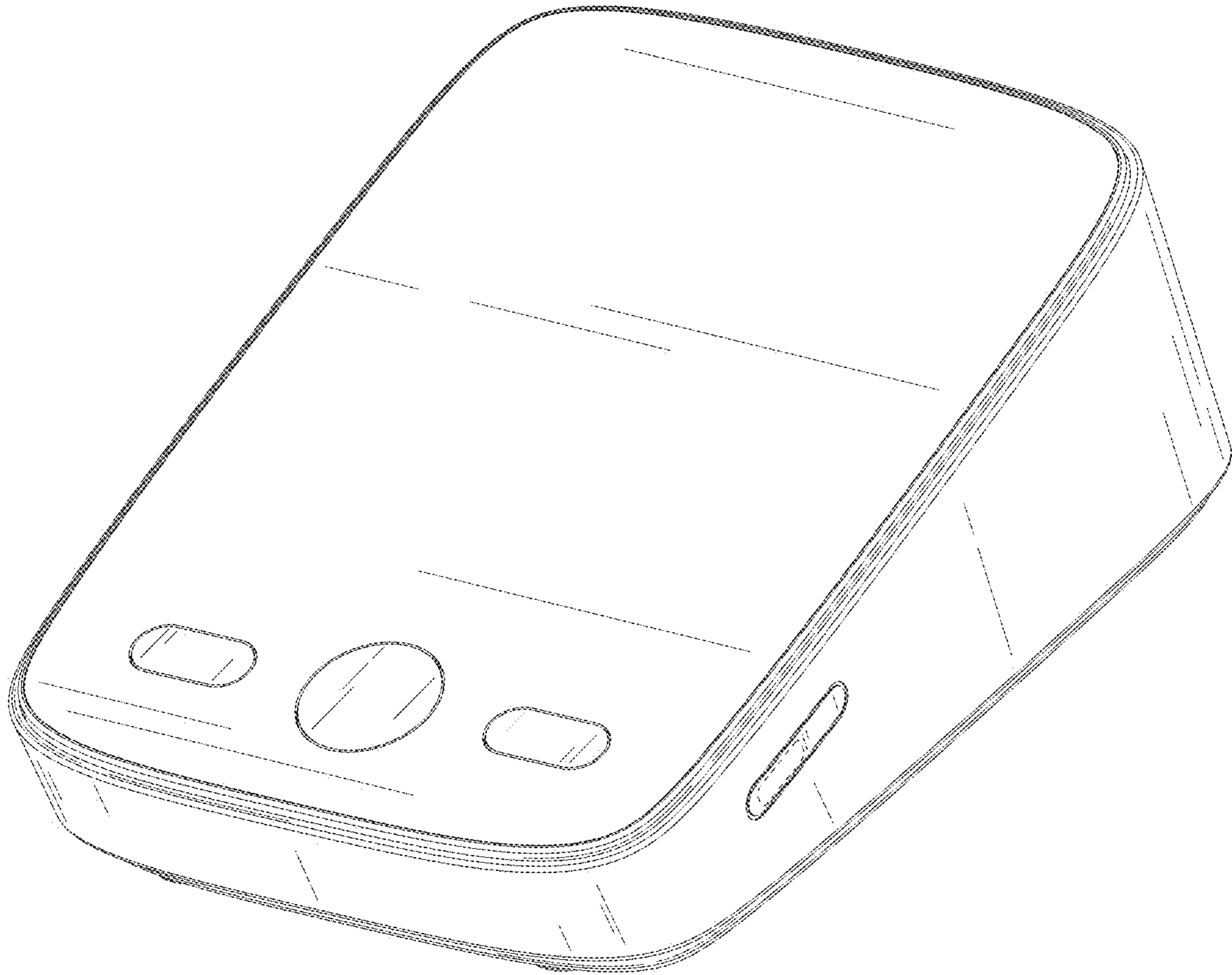


FIG. 1

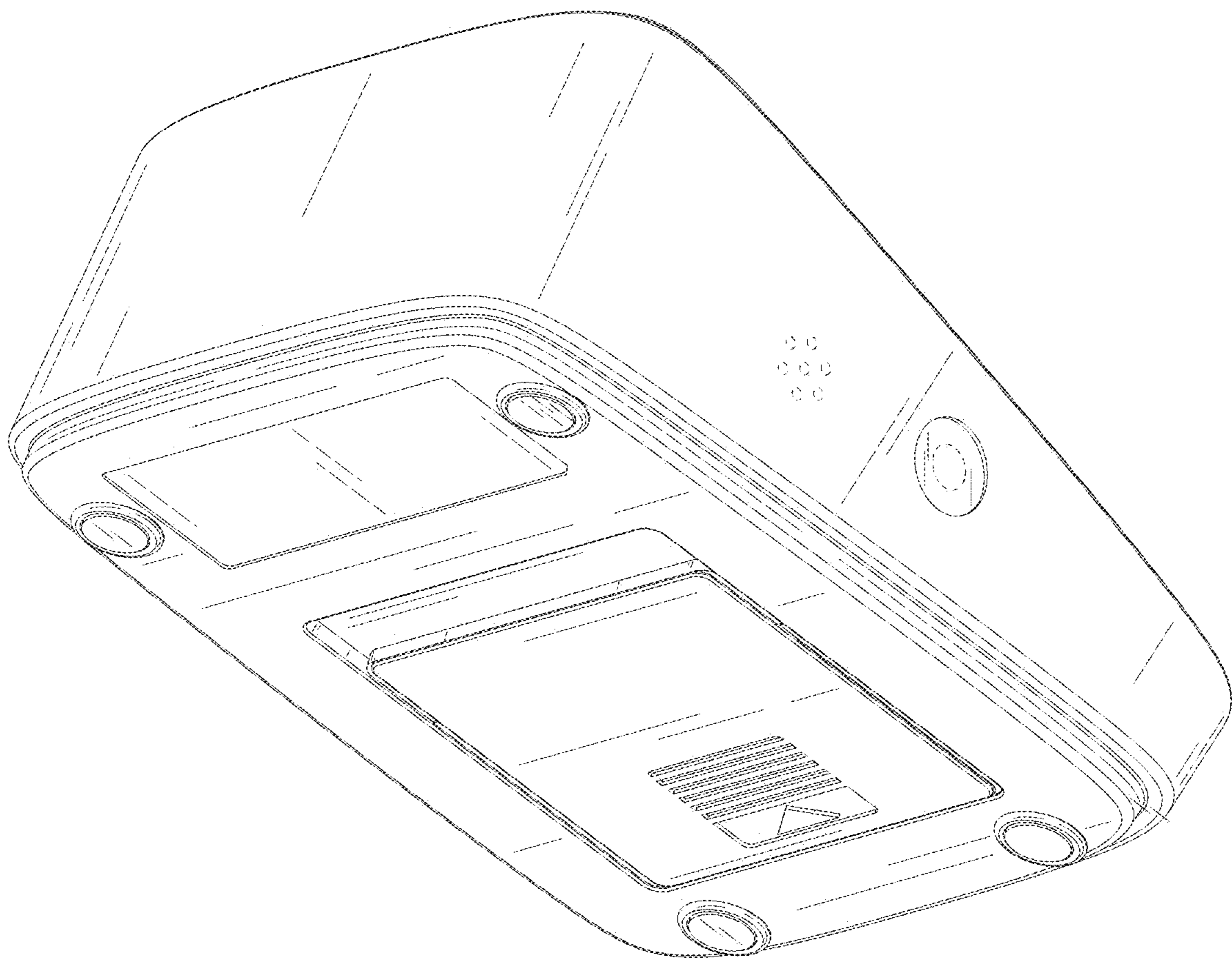


FIG. 2

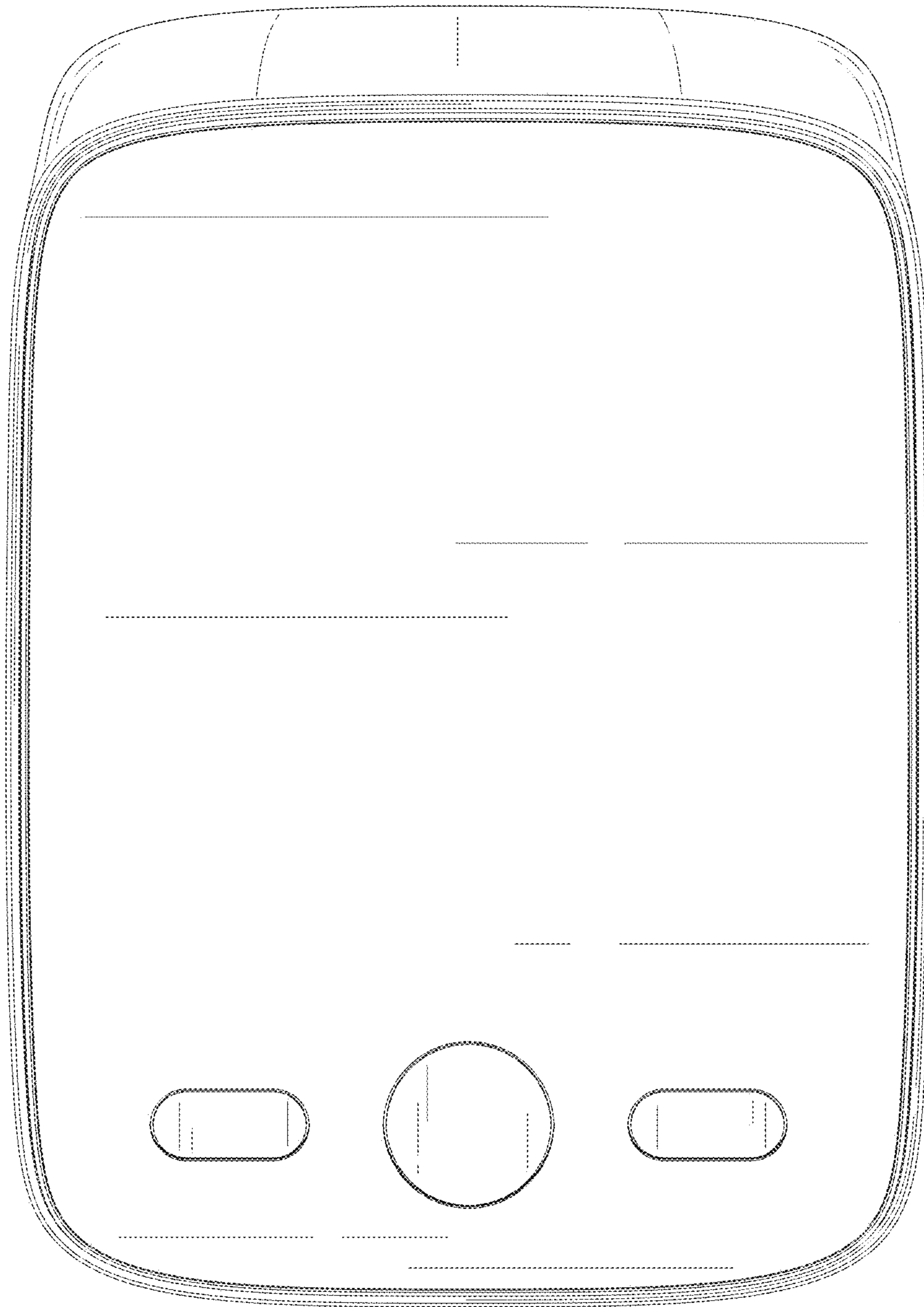


FIG. 3

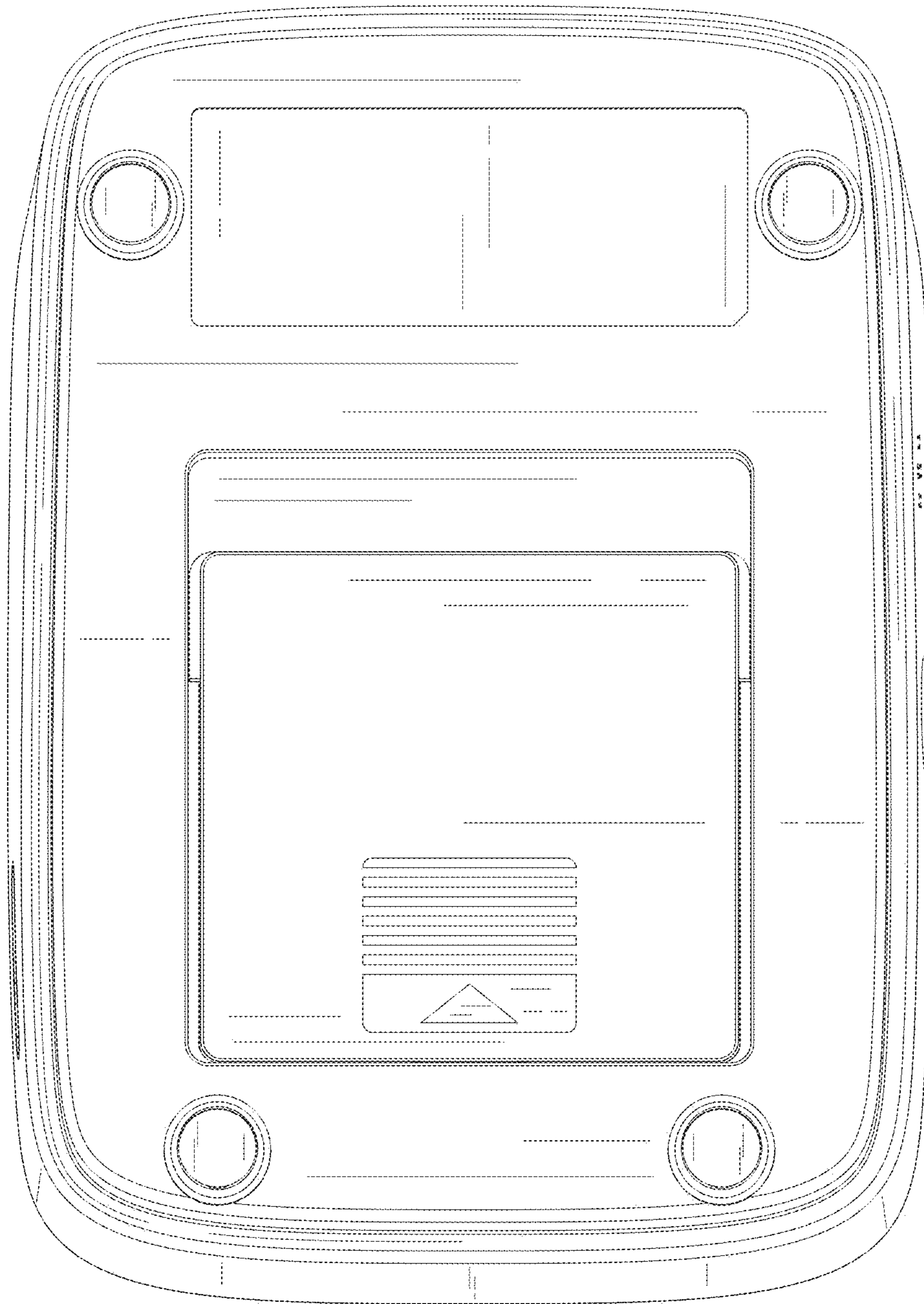


FIG. 4

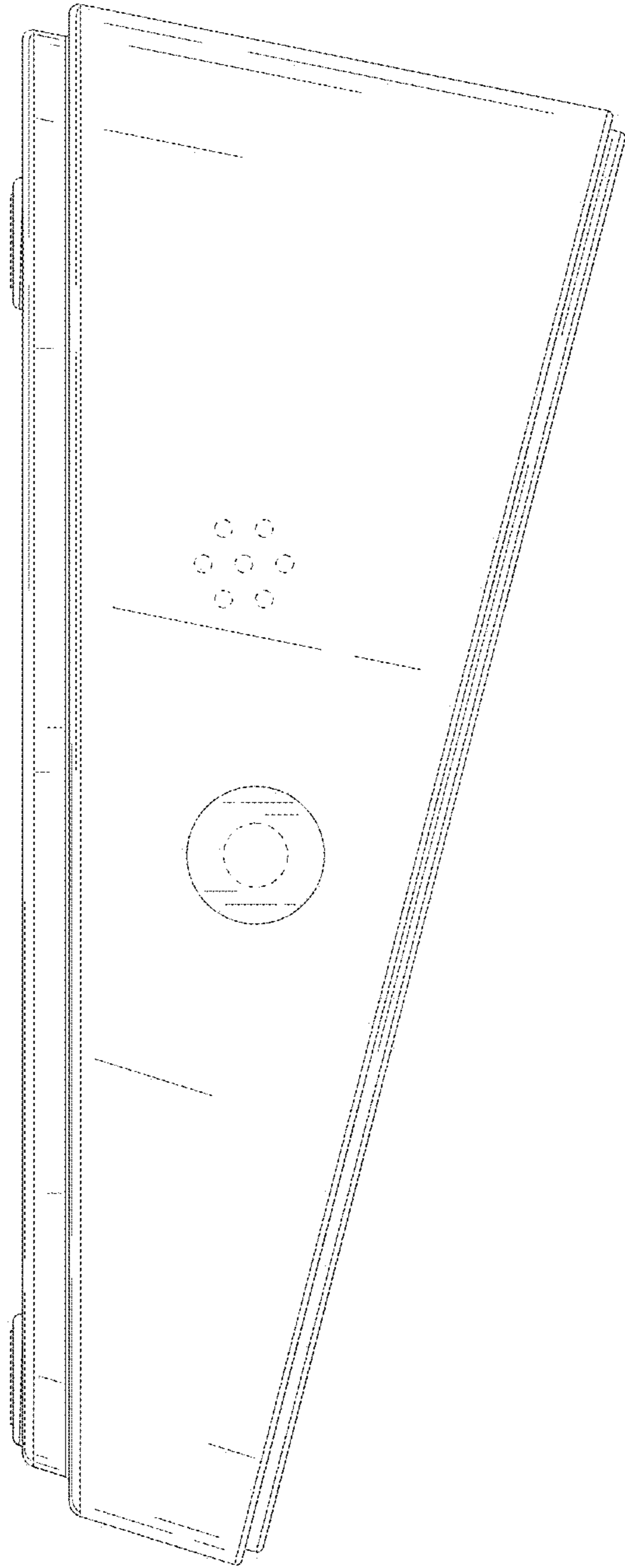


FIG. 5

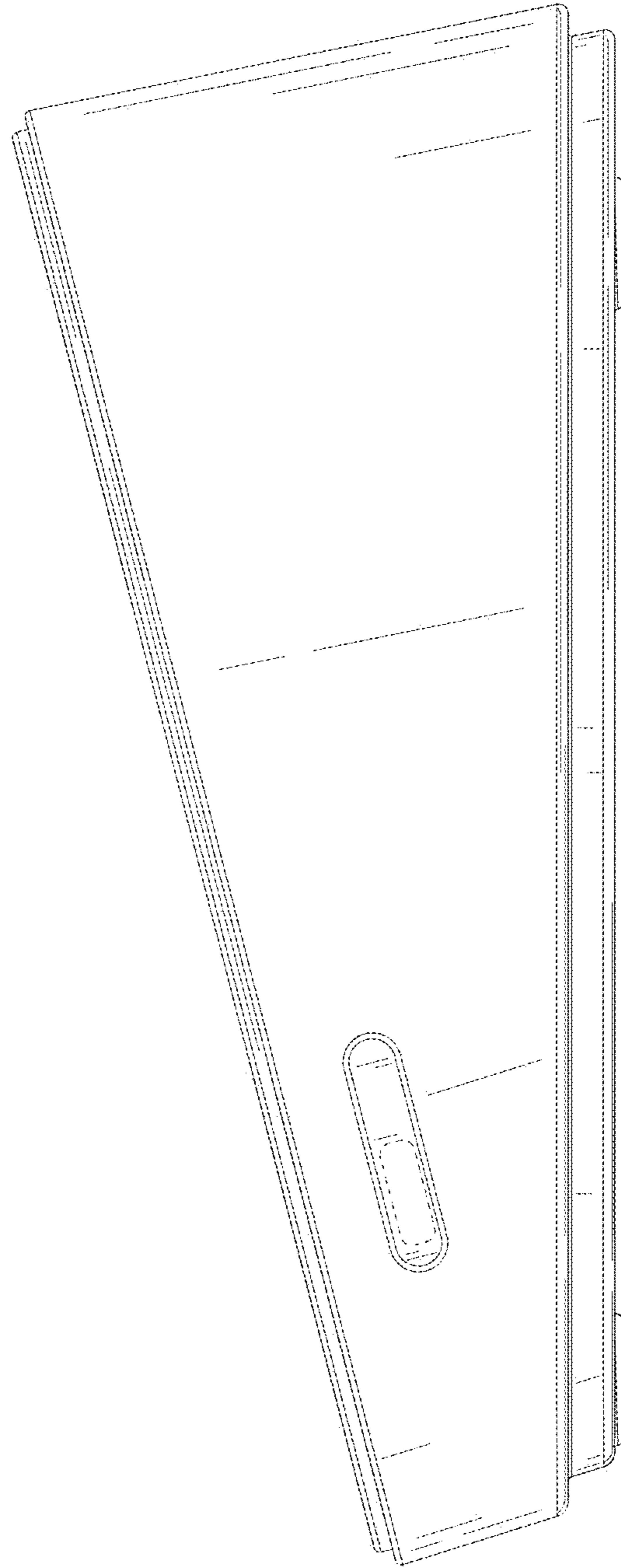


FIG. 6

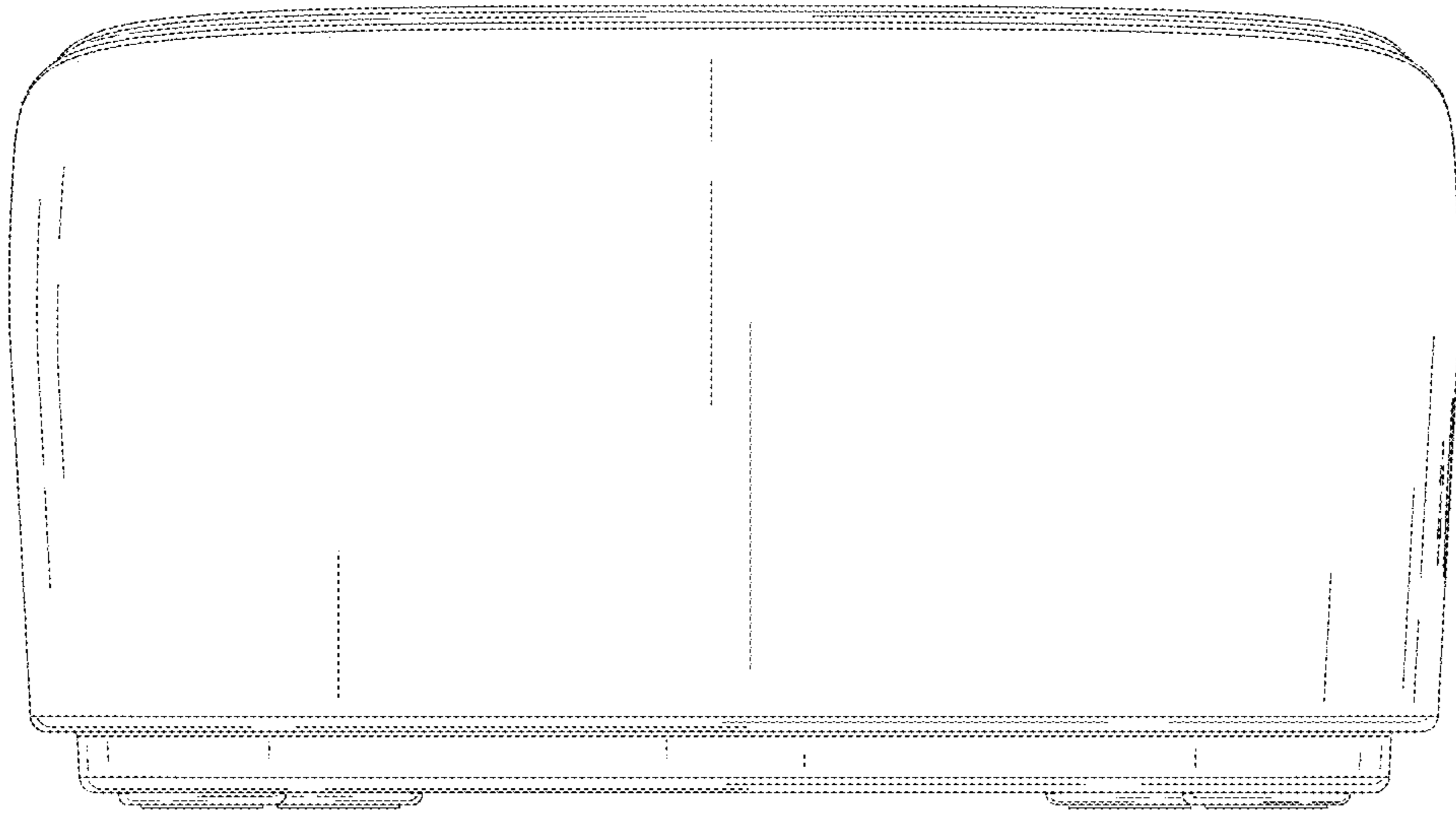


FIG. 7

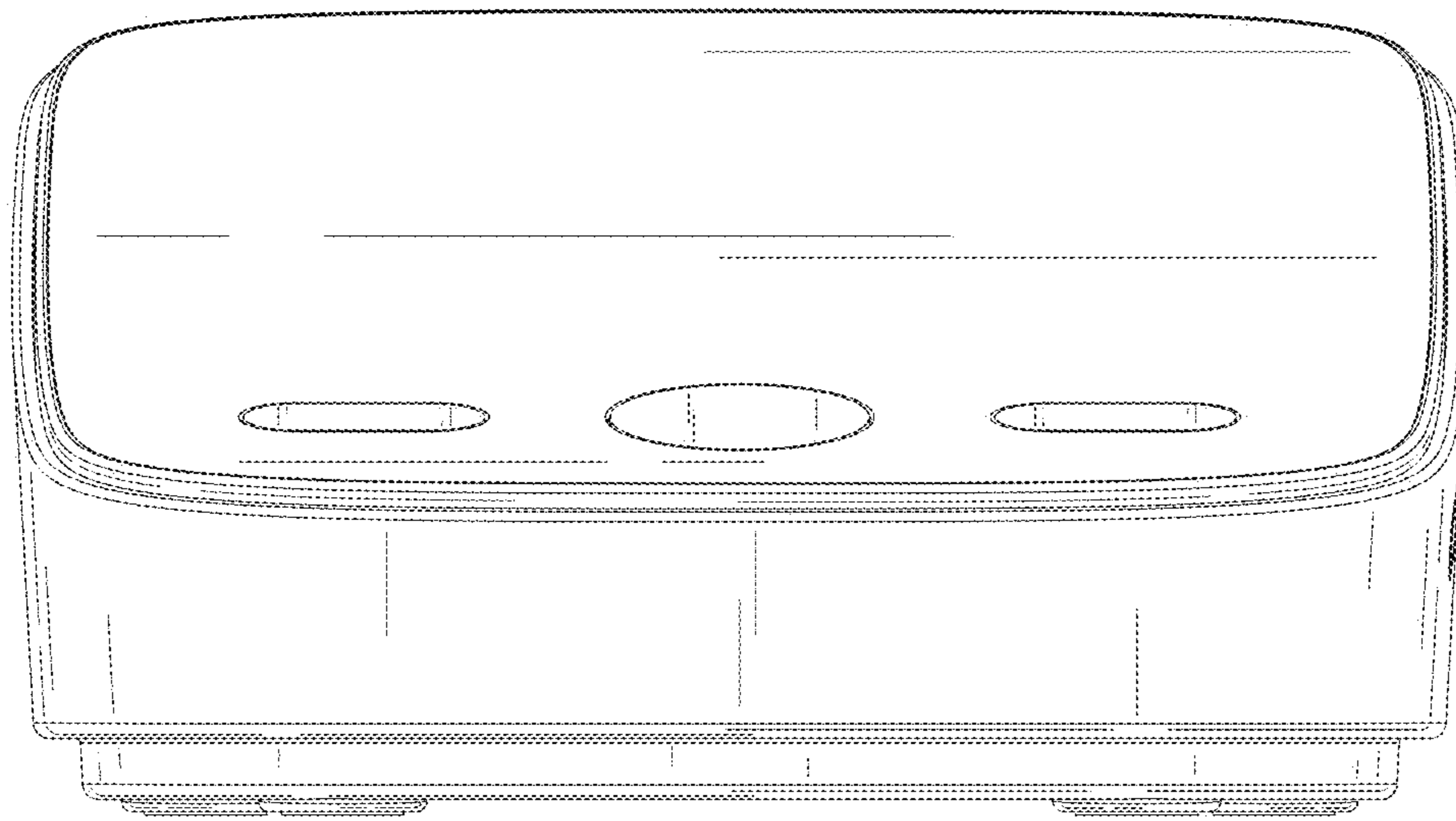


FIG. 8