



US00D985125S

(12) **United States Design Patent** (10) **Patent No.:** **US D985,125 S**
Knox et al. (45) **Date of Patent:** **** May 2, 2023**

(54) **HUMERAL IMPLANT**

FOREIGN PATENT DOCUMENTS

(71) Applicant: **HOWMEDICA OSTEONICS CORP.**,
Mahwah, NJ (US)

CA 211530 * 5/2022
DE 4220217 12/1993

(Continued)

(72) Inventors: **Kevin P. Knox**, Fort Wayne, IN (US);
Austin Wyatt Mutchler, Warsaw, IN
(US); **Shawn M. Gargac**, Fort Wayne,
IN (US)

OTHER PUBLICATIONS

Med Gadget, "Tornier Announces First Implant in U.S. Trial of Its
Simpliciti Stemless Shoulder Joint Replacement System", first
available Aug. 5, 2011. (<https://www.medgadget.com/2011/08/tornier-announces-first-implant-in-u-s-trial-of-its-simpliciti-stemless-shoulder-joint-replacement-system.html>) (Year: 2011).*

(73) Assignee: **HOWMEDICA OSTEONICS CORP.**,
Mahwah, NJ (US)

(Continued)

(**) Term: **15 Years**

(21) Appl. No.: **29/792,369**

Primary Examiner — Lauren D McVey

Assistant Examiner — Justin A Johnson

(22) Filed: **Mar. 25, 2022**

(74) *Attorney, Agent, or Firm* — Duane Morris LLP

Related U.S. Application Data

(62) Division of application No. 29/707,805, filed on Oct.
1, 2019, now Pat. No. Des. 951,449.

(51) **LOC (14) Cl.** **24-03**

(52) **U.S. Cl.**
USPC **D24/155**

(58) **Field of Classification Search**
USPC D24/107, 155
CPC A61F 2/00; A61F 2/02; A61F 2/28; A61F
2/50

See application file for complete search history.

(57) **CLAIM**

The ornamental design for a humeral implant, as shown and
described.

DESCRIPTION

FIG. 1 is a top perspective view of an embodiment of a
humeral implant of our design;
FIG. 2 is a bottom perspective view of the design of FIG. 1;
FIGS. 3-6 are side views of the design of FIG. 1;
FIG. 7 is a top view of the design of FIG. 1; and
FIG. 8 is a bottom view of the design of FIG. 1.
FIG. 9 is a top perspective view of another embodiment of
a humeral implant of our design;
FIG. 10 is a bottom perspective view of the design of FIG.
9;
FIGS. 11-14 are side views of the design of FIG. 9;
FIG. 15 is a top view of the design of FIG. 9; and,
FIG. 16 is a bottom view of the design of FIG. 9.
All features illustrated in broken lines form no part of the
claimed design.

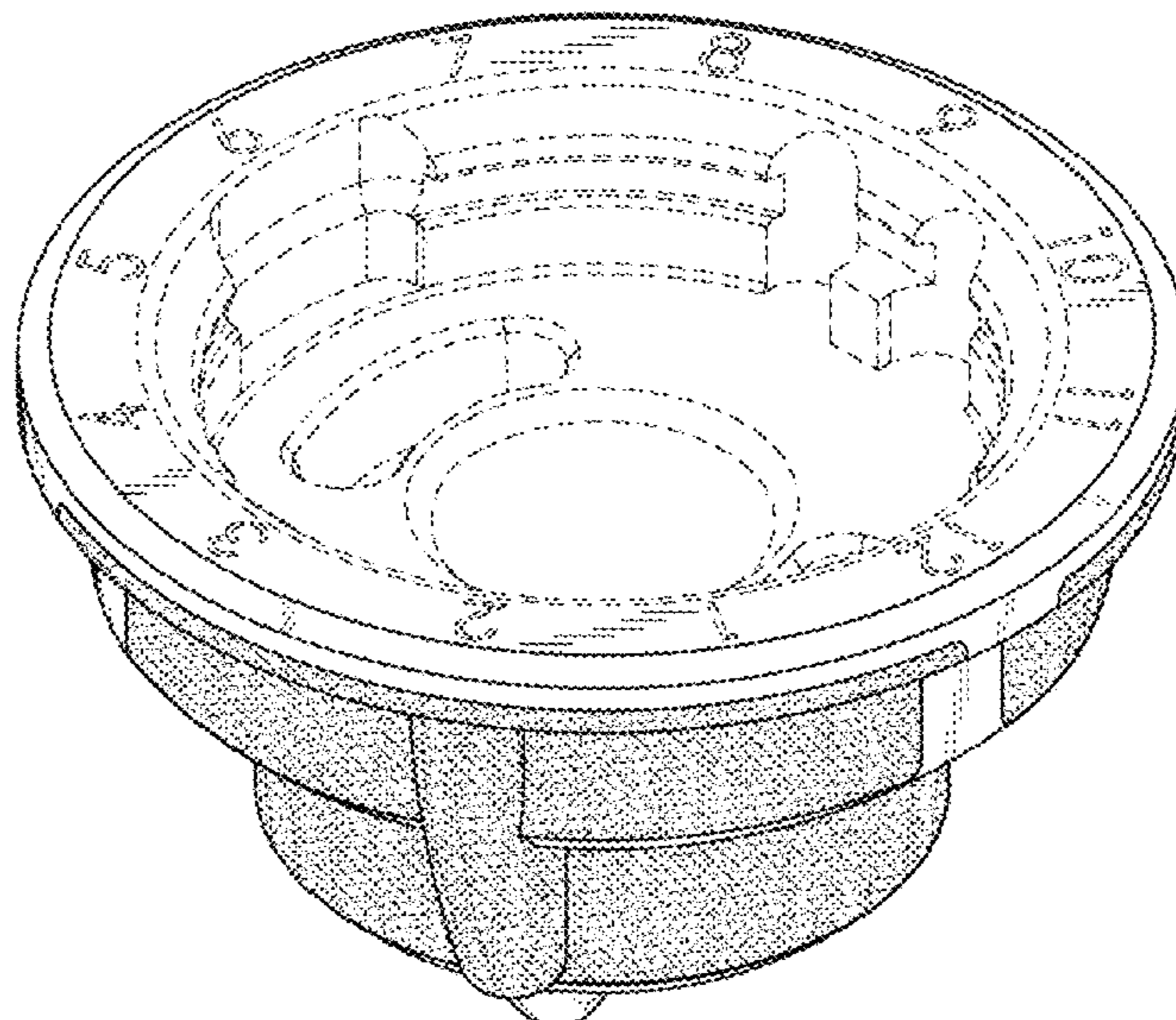
(56) **References Cited**

U.S. PATENT DOCUMENTS

448,126 A 3/1891 Craig
1,065,456 A 6/1913 Lowrey
1,123,730 A 1/1915 Greenfield
2,444,099 A 6/1948 Hennessey, Jr.
2,886,081 A 5/1959 Cowley
3,523,395 A 8/1970 Rutter et al.

(Continued)

1 Claim, 10 Drawing Sheets



(56)

References Cited

U.S. PATENT DOCUMENTS

3,609,056 A	9/1971	Hougen	7,189,036 B1	3/2007	Watson
3,738,217 A	6/1973	Walker	7,189,261 B2	3/2007	Dews et al.
4,042,980 A	8/1977	Swanson et al.	7,204,854 B2	4/2007	Guederian et al.
4,147,464 A	4/1979	Watson et al.	7,344,565 B2	3/2008	Seyer et al.
4,250,600 A	2/1981	Gunther	7,465,319 B2	12/2008	Tornier
4,261,062 A	4/1981	Amstutz et al.	7,476,228 B2	1/2009	Abou
4,406,023 A	9/1983	Harris	7,476,253 B1	1/2009	Craig et al.
4,550,450 A	11/1985	Kinnett	7,585,327 B2	9/2009	Winslow
4,623,353 A	11/1986	Buechel et al.	7,615,080 B2	11/2009	Ondrla
4,632,111 A	12/1986	Roche	7,637,703 B2	12/2009	Khangar et al.
4,743,262 A	5/1988	Tronzo	7,648,530 B2	1/2010	Habermeyer et al.
D296,714 S *	7/1988	Averill D24/155	7,670,382 B2	3/2010	Parrott et al.
4,865,605 A	9/1989	Dines et al.	7,678,150 B2	3/2010	Tornier et al.
4,883,491 A	11/1989	Mallory et al.	D617,459 S	6/2010	Bogue
4,919,670 A	4/1990	Dale et al.	7,744,602 B2	6/2010	Teeny et al.
4,964,865 A	10/1990	Burkhead et al.	7,758,650 B2	7/2010	Dews et al.
4,986,833 A	1/1991	Worland	7,887,544 B2	2/2011	Tornier et al.
5,026,373 A	6/1991	Ray et al.	7,927,376 B2	4/2011	Leisinger et al.
5,032,132 A	7/1991	Matsen et al.	D643,926 S	8/2011	Collins
5,044,393 A	9/1991	Jiles	8,021,370 B2	9/2011	Fenton et al.
5,080,673 A	1/1992	Burkhead et al.	8,114,089 B2	2/2012	Divoux et al.
5,112,338 A	5/1992	Anspach, III	8,162,947 B2	4/2012	Dreyfuss
5,163,964 A	11/1992	Lazzeri et al.	8,182,541 B2	5/2012	Long et al.
5,171,277 A	12/1992	Roger	8,187,282 B2	5/2012	Tornier et al.
5,257,995 A	11/1993	Umber et al.	8,192,497 B2	6/2012	Ondrla
5,282,865 A	2/1994	Dong	8,202,275 B2	6/2012	Wozencroft
5,358,526 A	10/1994	Tornier	8,221,037 B2	7/2012	Neitzell
5,489,309 A	2/1996	Lackey et al.	8,231,682 B2	7/2012	Lafosse
5,489,310 A	2/1996	Mikhail	8,246,687 B2	8/2012	Katrana et al.
5,507,817 A	4/1996	Craig et al.	D668,331 S *	10/2012	Ren D24/123
5,540,697 A	7/1996	Rehmann et al.	8,277,512 B2	10/2012	Parrott et al.
5,681,134 A	10/1997	Ebert	8,317,871 B2	11/2012	Stone et al.
5,702,486 A	12/1997	Craig et al.	8,409,798 B2	4/2013	Luy et al.
5,723,018 A	3/1998	Cyprien et al.	8,419,798 B2	4/2013	Ondrla et al.
5,776,194 A	7/1998	Mikol et al.	D685,474 S	7/2013	Courtney
5,800,551 A	9/1998	Williamson et al.	8,500,744 B2	8/2013	Wozencroft et al.
5,810,524 A	9/1998	Wirth, Jr. et al.	8,506,638 B2	8/2013	Vanasse et al.
5,830,315 A	10/1998	Collard	8,512,410 B2	8/2013	Metcalfe et al.
5,830,215 A	11/1998	Incavo et al.	D691,710 S *	10/2013	White D24/107
5,954,727 A	9/1999	Collazo	8,591,592 B2	11/2013	Dreyfuss
5,976,148 A	11/1999	Charpenet et al.	8,641,773 B2	2/2014	Bergin et al.
6,045,582 A	4/2000	Prybyla	8,647,387 B2	2/2014	Winslow
6,063,124 A	5/2000	Amstutz	8,663,334 B2	3/2014	Viscardi et al.
6,099,214 A	8/2000	Lee et al.	8,690,958 B2	4/2014	Klawitter et al.
D433,130 S	10/2000	Cude	8,702,800 B2	4/2014	Linares et al.
6,132,469 A	10/2000	Schroeder	D705,438 S	5/2014	Wainwright
6,139,551 A	10/2000	Michelson et al.	8,753,402 B2	6/2014	Winslow et al.
6,146,423 A	11/2000	Cohen et al.	8,795,379 B2	8/2014	Smith et al.
6,174,335 B1	1/2001	Varietur et al.	8,840,671 B2	9/2014	Ambacher
6,187,012 B1	2/2001	Masini	8,845,742 B2	9/2014	Kusogullari et al.
6,197,063 B1	3/2001	Dews	8,864,834 B2	10/2014	Boileau et al.
6,264,299 B1	7/2001	Noda	8,870,962 B2	10/2014	Roche et al.
6,264,657 B1	7/2001	Urbahns et al.	8,876,908 B2	11/2014	Katrana et al.
6,306,171 B1	10/2001	Conzemius	8,882,845 B2	11/2014	Wirth et al.
6,364,910 B1	4/2002	Shultz et al.	8,992,623 B2	3/2015	Hopkins et al.
6,368,271 B1	4/2002	Sharratt	D743,552 S	11/2015	Bronnimann
6,368,353 B1	4/2002	Arcand	D745,678 S	12/2015	Courtney et al.
6,379,917 B1	4/2002	Okun et al.	9,233,003 B2	1/2016	Roche et al.
6,409,730 B1	6/2002	Green et al.	9,289,218 B2	3/2016	Courtney, Jr. et al.
6,508,840 B1	1/2003	Rockwood, Jr. et al.	9,326,865 B2	5/2016	Katrana et al.
6,520,994 B2	2/2003	Nogarin	9,364,334 B2	6/2016	Katrana et al.
6,537,278 B1	3/2003	Johnson	D765,260 S	8/2016	Sparr
6,666,874 B2	12/2003	Heitzmann et al.	9,498,345 B2	11/2016	Burkhead, Jr. et al.
6,736,851 B2	5/2004	Maroney et al.	9,510,839 B2	12/2016	Maroney et al.
6,746,452 B2	6/2004	Tuke et al.	D776,295 S	1/2017	Wainwright
6,783,549 B1	8/2004	Stone et al.	9,603,712 B2	3/2017	Bachmaier
6,786,684 B1	9/2004	Ecker	9,610,165 B2 *	4/2017	Poncet A61F 2/4014
6,797,006 B2	9/2004	Hodorek et al.	9,615,928 B2	4/2017	Visser et al.
7,044,973 B2	5/2006	Rockwood, Jr. et al.	9,820,859 B2	11/2017	Gervasi et al.
7,097,663 B1	8/2006	Nicol et al.	9,956,083 B2 *	5/2018	Humphrey A61F 2/4003
7,140,087 B1	11/2006	Giltner	D831,218 S *	10/2018	da Costa D24/172
7,160,328 B2	1/2007	Rockwood, Jr. et al.	10,166,032 B2	1/2019	Stone et al.
7,169,184 B2	1/2007	Dalla Pria	D840,539 S	2/2019	Courtney et al.
7,175,663 B1	2/2007	Stone	10,335,285 B2	7/2019	Viscardi et al.
7,179,084 B1	2/2007	Kometas	10,368,999 B2	8/2019	Greive
			10,433,969 B2	10/2019	Humphrey
			10,456,264 B2	10/2019	Hodorek et al.
			10,463,499 B2	11/2019	Emerick et al.
			D875,936 S *	2/2020	Martin D24/155

(56)

References Cited

U.S. PATENT DOCUMENTS

10,722,373 B2 7/2020 Hodore
 D896,369 S 9/2020 Chase
 D908,874 S 1/2021 Conklin
 D938,034 S * 12/2021 Knox D24/155
 D951,449 S * 5/2022 Knox D24/155
 D952,143 S * 5/2022 Conklin D24/155
 2001/0034553 A1 10/2001 Michelson
 2001/0047210 A1 11/2001 Wolf
 2002/0116007 A1 8/2002 Lewis
 2002/0156534 A1 10/2002 Grusin et al.
 2003/0028253 A1 2/2003 Stone et al.
 2003/0031521 A1 2/2003 Haughton et al.
 2003/0114933 A1 6/2003 Bouttens et al.
 2003/0125810 A1 7/2003 Sullivan et al.
 2004/0049270 A1 3/2004 Gewirtz
 2004/0186586 A1 9/2004 Seyer et al.
 2004/0193276 A1 9/2004 Maroney et al.
 2004/0193277 A1 9/2004 Long et al.
 2004/0193278 A1 9/2004 Maroney et al.
 2004/0220674 A1 11/2004 Pria
 2004/0243136 A1 12/2004 Gupta et al.
 2004/0254646 A1 12/2004 Stone et al.
 2005/0107882 A1 5/2005 Stone et al.
 2005/0112397 A1 5/2005 Rolfe et al.
 2005/0209597 A1 9/2005 Long et al.
 2005/0261775 A1 11/2005 Baum et al.
 2005/0267478 A1 12/2005 Corradi et al.
 2006/0004378 A1 1/2006 Raines
 2006/0009852 A1 1/2006 Winslow et al.
 2006/0064173 A1 3/2006 Guederian
 2006/0089656 A1 4/2006 Allard et al.
 2006/0142866 A1 6/2006 Baratz et al.
 2006/0195105 A1 8/2006 Teeny et al.
 2006/0200165 A1 9/2006 Tulkis
 2006/0200249 A1 9/2006 Beguin et al.
 2007/0010825 A1 1/2007 Leisinger et al.
 2007/0100458 A1 5/2007 Dalla Pria
 2007/0123890 A1 5/2007 Way et al.
 2007/0123893 A1 5/2007 O'Donoghue
 2007/0123909 A1 5/2007 Rupp et al.
 2007/0156246 A1 7/2007 Meswania et al.
 2007/0162141 A1 7/2007 Dews et al.
 2007/0173945 A1 7/2007 Wiley et al.
 2007/0212179 A1 9/2007 Khangar et al.
 2007/0219562 A1 9/2007 Slone et al.
 2007/0225817 A1 9/2007 Reubelt et al.
 2007/0233132 A1 10/2007 Valla
 2008/0021564 A1 1/2008 Gunther
 2008/0077146 A1 3/2008 Pernsteiner et al.
 2008/0195111 A1 8/2008 Anderson
 2008/0249577 A1 10/2008 Dreyfuss
 2009/0099662 A1 * 4/2009 Splieth A61F 2/4684
 623/19.12
 2009/0171462 A1 7/2009 Poncet et al.
 2009/0281630 A1 11/2009 Delince et al.
 2009/0306782 A1 12/2009 Schwyzer
 2010/0042214 A1 2/2010 Nebosky et al.
 2010/0087927 A1 4/2010 Roche et al.
 2010/0114326 A1 5/2010 Winslow et al.
 2010/0191340 A1 7/2010 Dreyfuss
 2010/0274360 A1 10/2010 Gunther
 2010/0278601 A1 11/2010 Beynon
 2011/0153023 A1 6/2011 Deffenbaugh et al.
 2011/0224673 A1 9/2011 Smith
 2011/0276144 A1 11/2011 Wirth et al.
 2011/0313533 A1 12/2011 Gunther
 2012/0022664 A1 1/2012 Vandermeulen et al.
 2012/0109321 A1 5/2012 Stone et al.
 2012/0221111 A1 8/2012 Burkhead, Jr. et al.
 2012/0265315 A1 10/2012 Kusogullari et al.
 2012/0277880 A1 11/2012 Winslow et al.
 2012/0296435 A1 11/2012 Ambacher
 2013/0123929 A1 5/2013 McDaniel et al.
 2013/0123930 A1 5/2013 Burt
 2013/0173006 A1 7/2013 Duport

2013/0178943 A1 7/2013 Duport
 2013/0190882 A1 7/2013 Humphrey
 2013/0211539 A1 8/2013 McDaniel et al.
 2013/0245775 A1 9/2013 Metcalfe
 2013/0261626 A1 10/2013 Chavarria et al.
 2013/0261629 A1 10/2013 Anthony et al.
 2013/0261754 A1 10/2013 Anthony et al.
 2013/0282129 A1 10/2013 Phipps
 2014/0012272 A1 1/2014 Leisinger
 2014/0012380 A1 1/2014 Laurence et al.
 2014/0058523 A1 2/2014 Walch et al.
 2014/0074246 A1 3/2014 Huebner et al.
 2014/0107792 A1 4/2014 Hopkins et al.
 2014/0156012 A1 6/2014 Winslow
 2014/0236304 A1 8/2014 Hodorek
 2014/0257499 A1 9/2014 Winslow et al.
 2014/0296988 A1 10/2014 Winslow et al.
 2014/0358239 A1 12/2014 Katrana et al.
 2014/0358240 A1 12/2014 Katrana et al.
 2014/0379089 A1 12/2014 Bachmaier
 2015/0134066 A1 5/2015 Bachmaier
 2015/0250601 A1 9/2015 Humphrey
 2015/0289984 A1 10/2015 Budge
 2015/0297354 A1 10/2015 Walch et al.
 2016/0051367 A1 2/2016 Gervasi et al.
 2016/0157911 A1 6/2016 Courtney, Jr. et al.
 2016/0324648 A1 11/2016 Hodorek et al.
 2017/0105843 A1 4/2017 Britton et al.
 2017/0304063 A1 10/2017 Hatzidakis
 2017/0367836 A1 12/2017 Cardon et al.
 2018/0092760 A1 4/2018 Sperling et al.
 2018/0271667 A1 9/2018 Kemp et al.
 2018/0280152 A1 10/2018 Mutchler et al.
 2019/0105165 A1 4/2019 Sikora et al.
 2019/0105169 A1 4/2019 Sperling
 2019/0159906 A1 5/2019 Knox et al.
 2019/0175354 A1 6/2019 Knox et al.
 2019/0216518 A1 7/2019 Courtney, Jr. et al.
 2019/0328536 A1 10/2019 Martin et al.
 2020/0214845 A1 7/2020 Knox
 2021/0228362 A1 * 7/2021 Whitwell A61F 2/28

FOREIGN PATENT DOCUMENTS

DE 10233204 1/2004
 DE 102004042502 3/2006
 EP D 274 094 8/1990
 EP 1 413 265 4/2004
 EP D 959 822 5/2004
 EP 1 125 565 12/2004
 EP 1 518 519 3/2005
 EP 1 004 283 5/2005
 EP 1 639 967 3/2006
 EP 1 762 191 3/2007
 EP 1 952 788 8/2008
 EP 1 867 303 9/2010
 EP 1 977 720 1/2011
 EP 1 550 420 2/2012
 EP 2 261 303 11/2012
 EP 1 706 074 12/2012
 EP 2 564 814 3/2013
 EP 2 567 676 3/2013
 EP 2 574 313 4/2013
 EP 2 616 013 7/2013
 EP 2 474 288 9/2013
 EP 2 663 263 5/2014
 EP 2 502 605 8/2014
 EP 2 800 541 11/2014
 EP 2 815 726 8/2015
 EP 2 353 549 6/2016
 EP 3 117 801 1/2017
 EP 2 965 720 B1 7/2017
 FR 2 674 122 9/1992
 FR 2997290 B1 11/2015
 WO 01/67988 9/2001
 WO 02/17822 3/2002
 WO 2008/011078 1/2008
 WO 2008/146124 12/2008
 WO 2011/081797 7/2011

(56)

References Cited

FOREIGN PATENT DOCUMENTS

WO	2012/035263	3/2012
WO	2012/130524	10/2012
WO	2013/009407	1/2013
WO	2013/064569	5/2013
WO	2013/148229	10/2013
WO	2014/005644	1/2014
WO	2014/058314	4/2014
WO	2015/112307	7/2015
WO	2016094739 A1	6/2016
WO	2017/165090	9/2017
WO	2017/184792	10/2017
WO	2018/022227	2/2018
WO	2019/060780	3/2019
WO	2019/106278	6/2019
WO	2019133905 A1	7/2019

OTHER PUBLICATIONS

Wright Media, "Tornier Aequalis Reversed FX", first available May 19, 2016. (https://www.wrightmedia.com/ProductFiles/Files/PDFs/CAW-1146_EN_LR_LE.pdf) (Year: 2016).*

Wright Media, "Aequalis Ascend Flex", first available Jul. 30, 2019. (https://www.wrightmedia.com/ProductFiles/Files/PDFs/AP-010187_EN_LR_LE.pdf) (Year: 2019).*

Arthrex, "Univers Revers Shoulder System", first available Apr. 24, 2019. (https://www.arthrex.com/resources/surgical-technique-guide/qkv6M00_50qt2QFBx1PKnA/univers-revers-shoulder-system) (Year: 2019).*

Boileau, et al., "The Three-Dimensional Geometry of the Proximal Humerus: Implications for Surgical Technique and Prosthetic Design," J Bone Joint Surg, Sep. 1997, vol. 79-B, Issue 5, pp. 857-865.

Med Gadget, "Tomier Announces First Implant in U.S. Trial of Its Simpliciti Stemless Shoulder Joint Replacement System", first available Aug. 5, 2011. (<https://www.medgadget.com/2011/08/tornier-announces-first-implant-in-u-s-trial-of-its-simpliciti-stemless-shoulder-joint-replacement-system.html>) (Year: 2011).

Routman, et al., "Reverse Shoulder Arthroplasty Prosthesis Design Classification System," Bulletin of the Hospital for Joint Diseases, 2015, vol. 73 (Suppl 1), pp. S5-S14.

Wright Media, "Tomier Aequalis Reversed FX", first available May 19, 2016. (https://www.wrightmedia.com/ProductFiles/Files/PDFs/CAW-1146_EN_LR_LE.pdf) (Year: 2016).

Barth, et al., "Is global humeral head offset related to intramedullary canal width? A computer tomography morphometric study," Journal of Experimental Orthopaedics, 2018, vol. 5, pp. 1-8.

Wright Media, "Aequalis Ascend Flex", first available Jul. 30, 2019. (https://www.wrightmedia.com/ProductFiles/Files/PDFs/AP-010187_EN_LR_LE.pdf) (Year: 2019).

Arthrex, "Univers Revers Shoulder System", first available Apr. 24, 2019. (https://www.arthrex.com/resources/surgical-technique-guide/qkv6M00_50qt2QFBx1PKnA/univers-revers-shoulder-system) (Year: 2019).

Non-Final Office Action issued in connection with U.S. Appl. No. 17/250,964, dated Jul. 26, 2021, 27 pages.

Non-Final Office Action issued in connection with U.S. Appl. No. 16/519,937, dated Aug. 17, 2021, 21 pages.

Final Rejection issued in connection with U.S. Appl. No. 16/580,367, dated Aug. 24, 2021, 9 pages.

First Office Action issued in connection with Japanese Patent Application No. 2019-555151, dated Feb. 21, 2022, 5 pages.

First Examination Report issued in connection with Australian Patent Application No. 2020360410, dated Nov. 24, 2022, 5 pages.

* cited by examiner

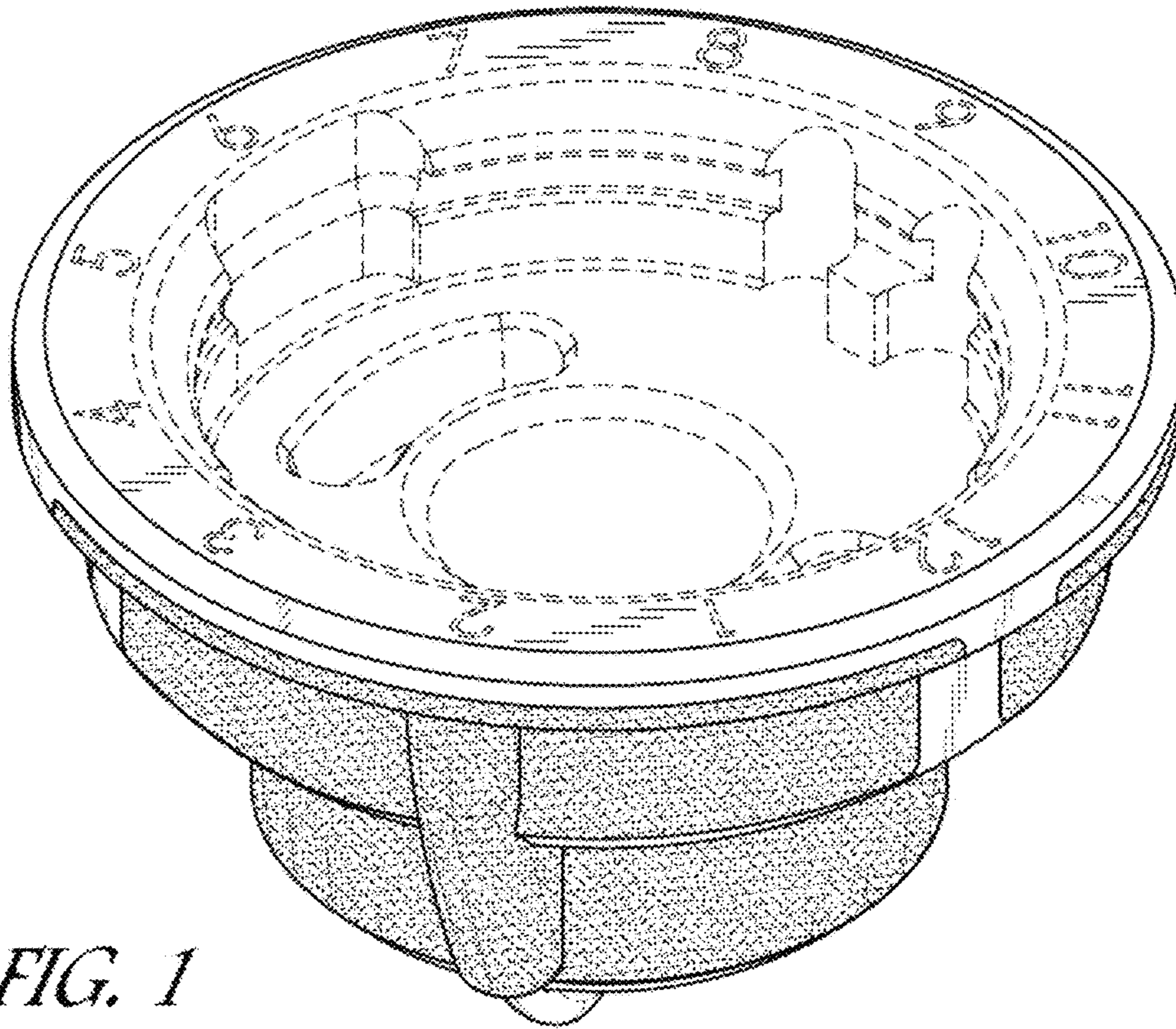


FIG. 1

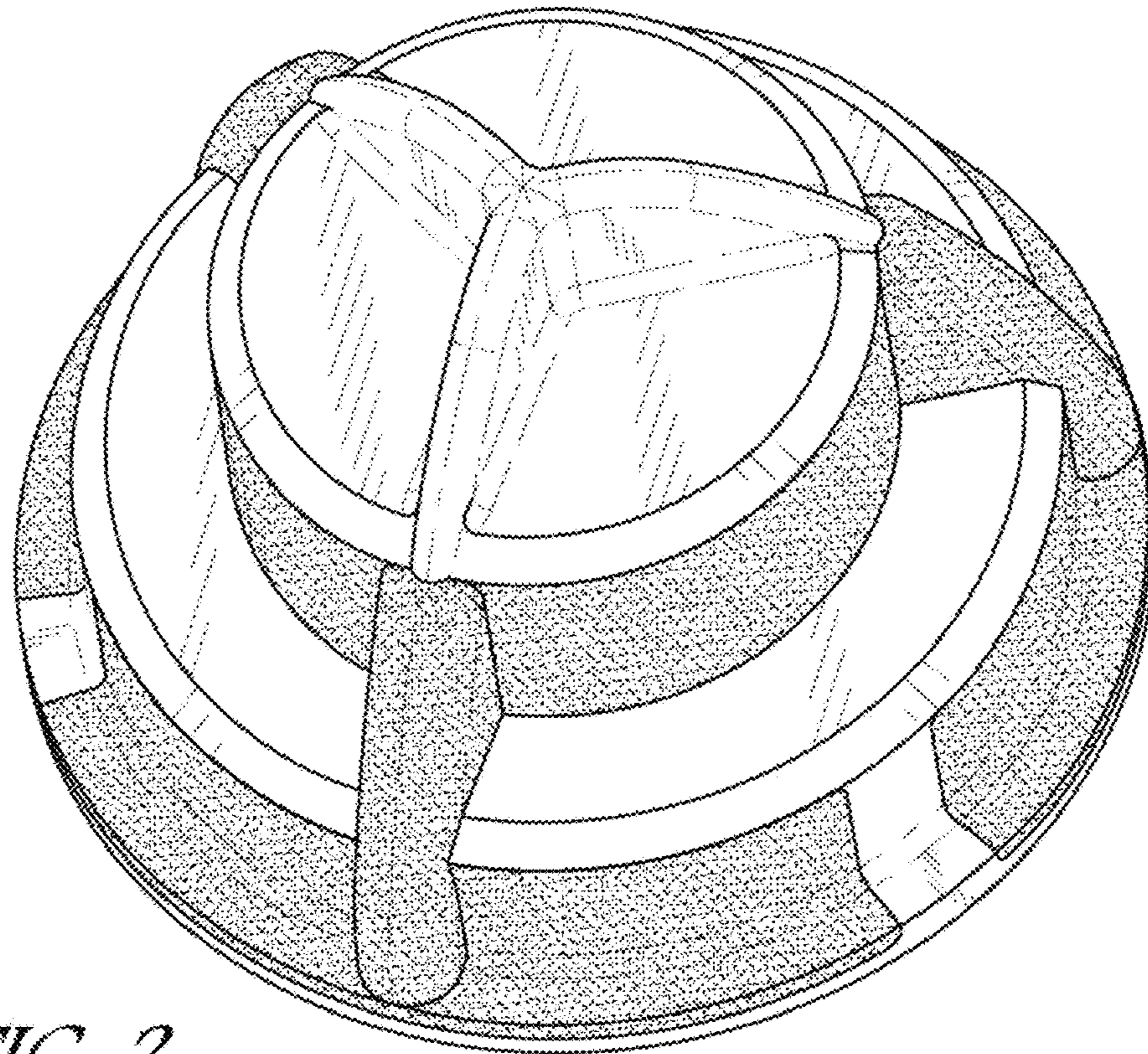


FIG. 2

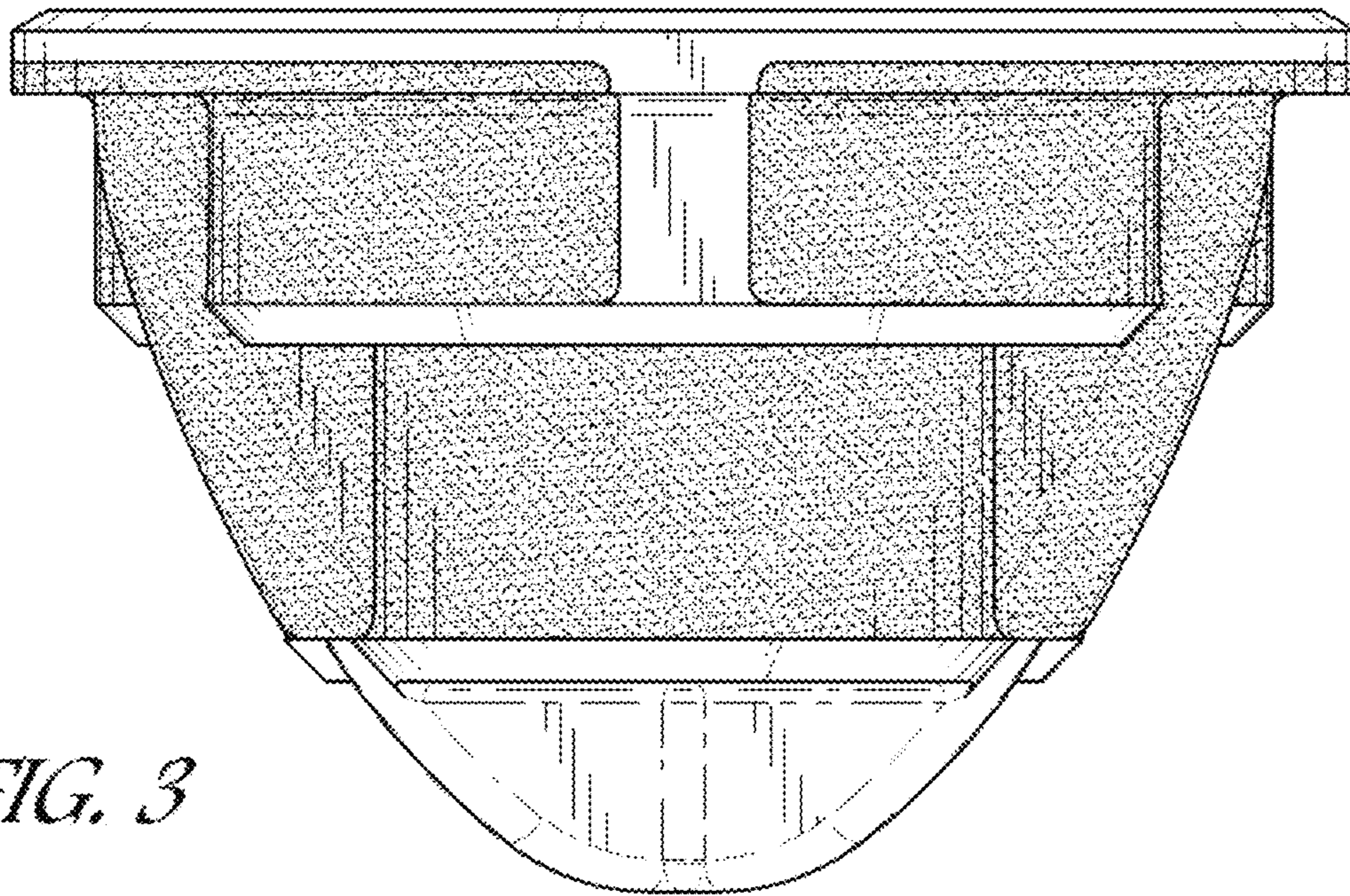


FIG. 3

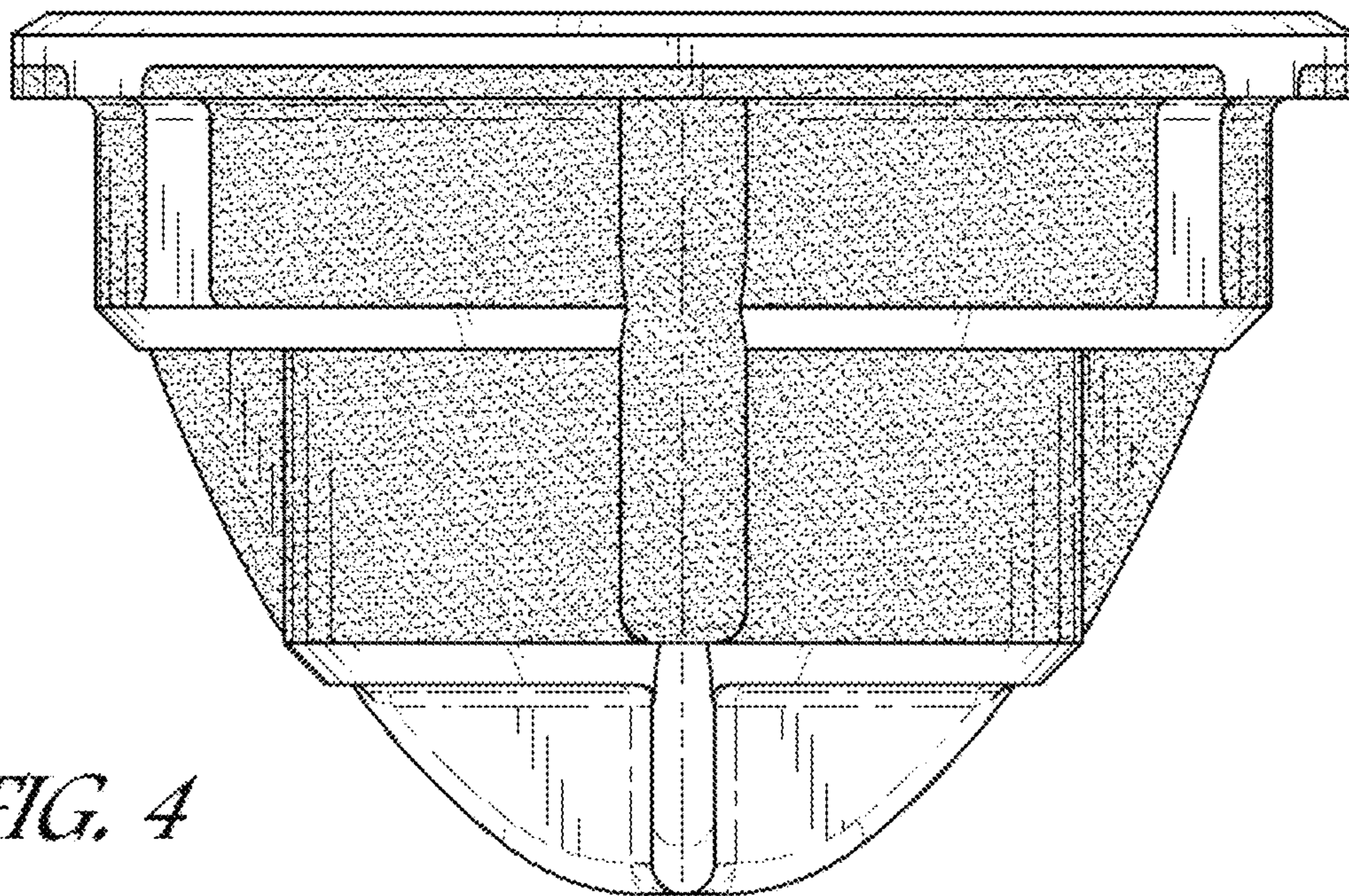


FIG. 4

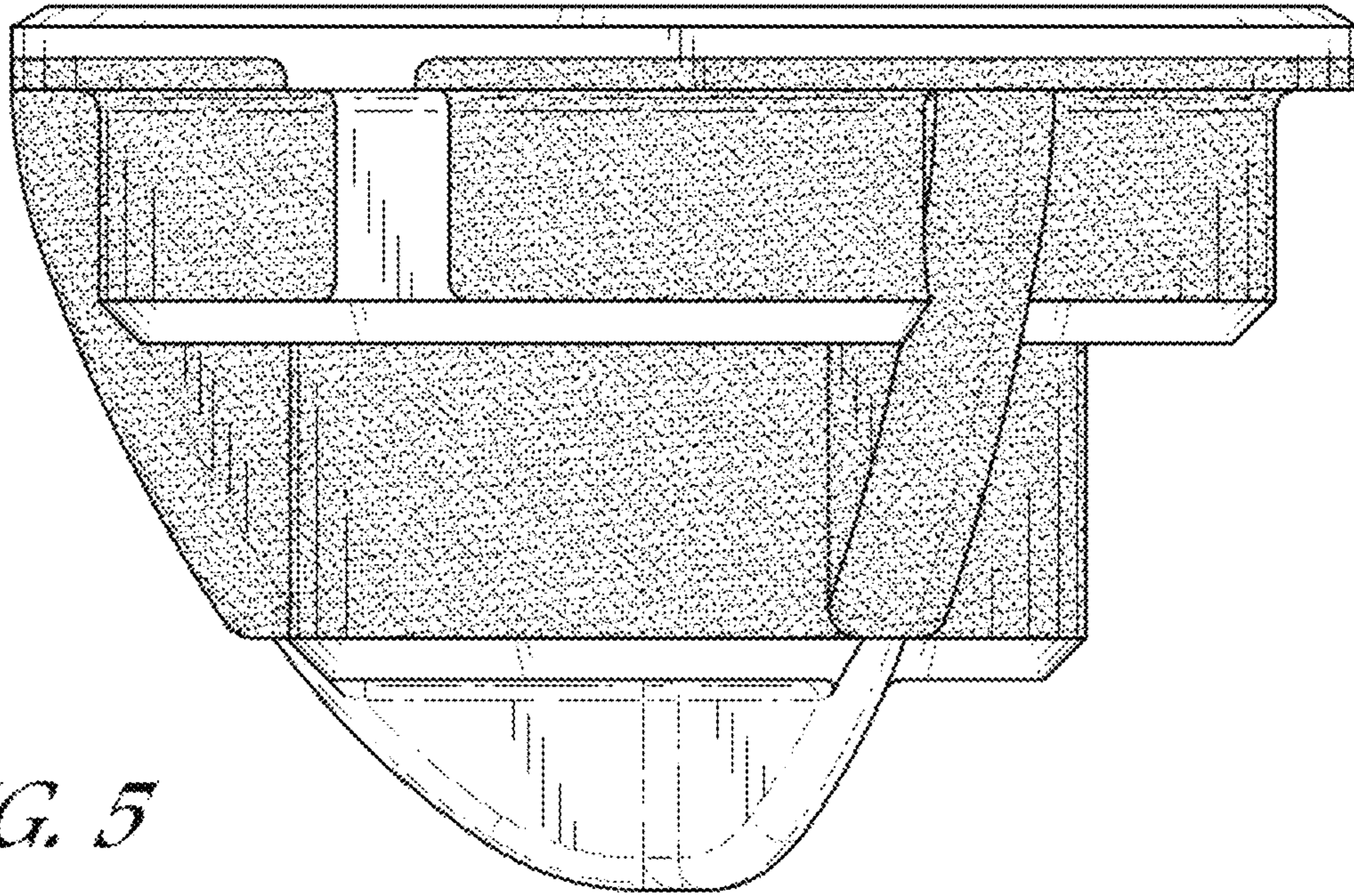


FIG. 5

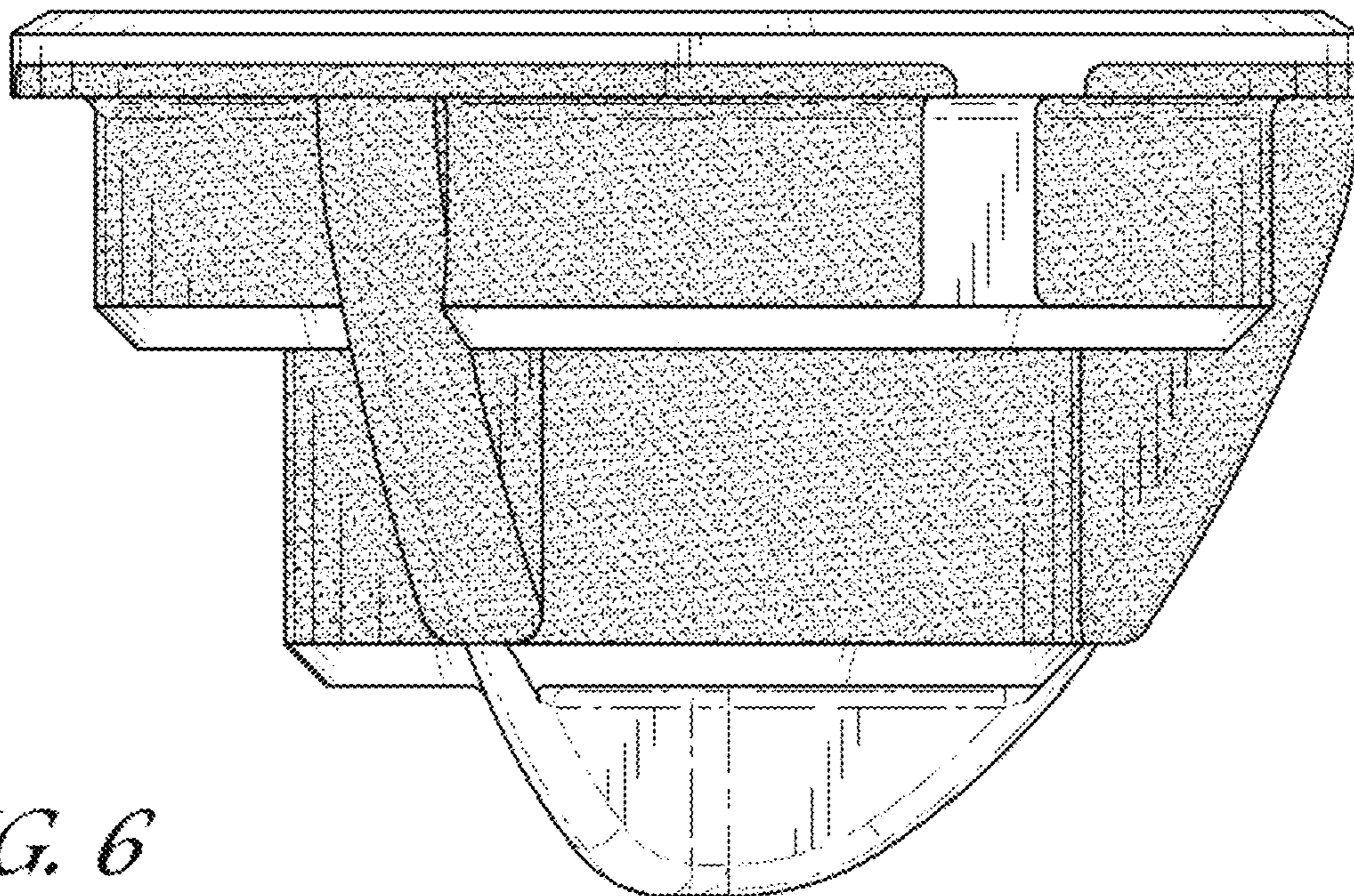


FIG. 6

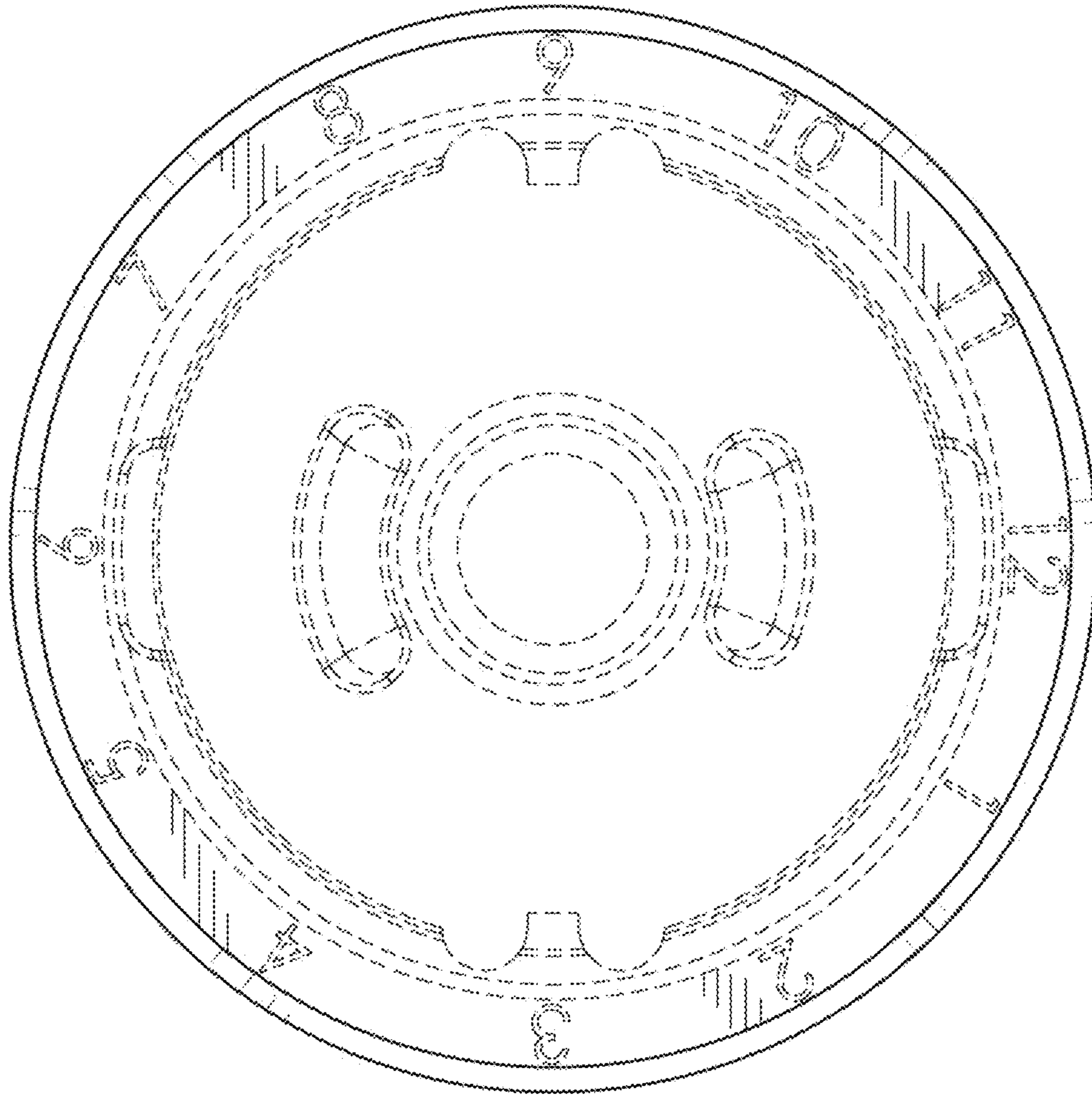


FIG. 7

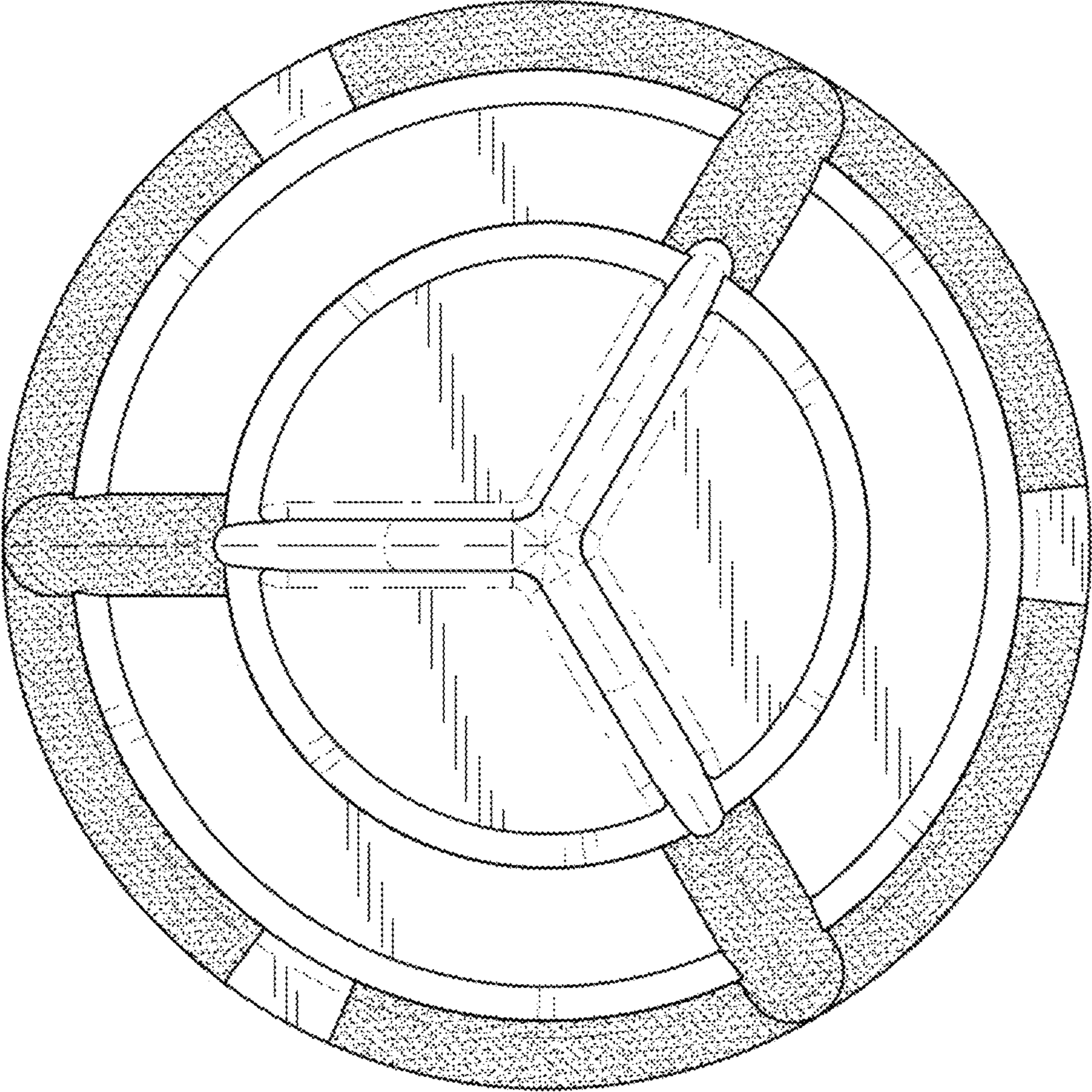


FIG. 8

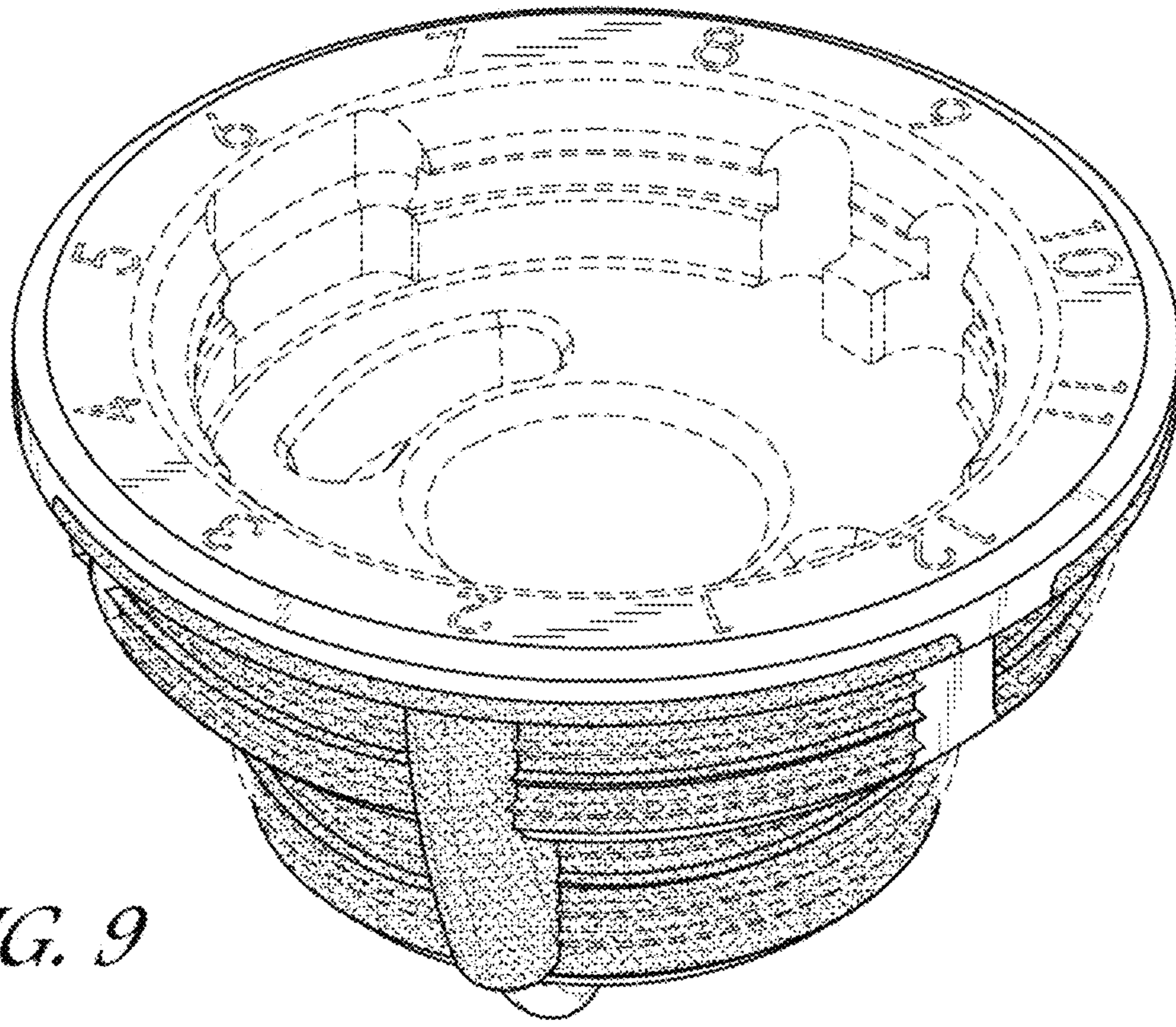


FIG. 9

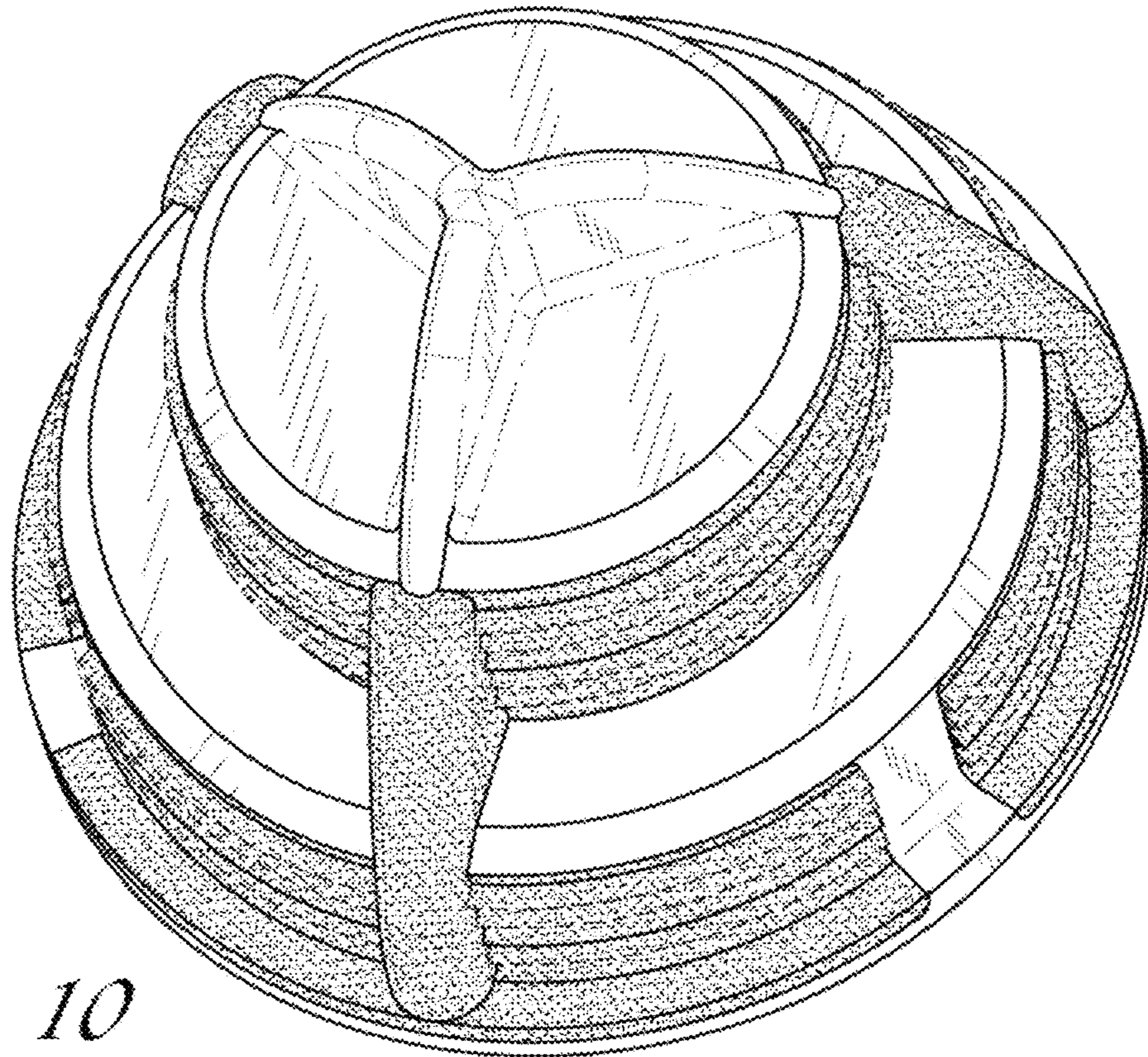


FIG. 10

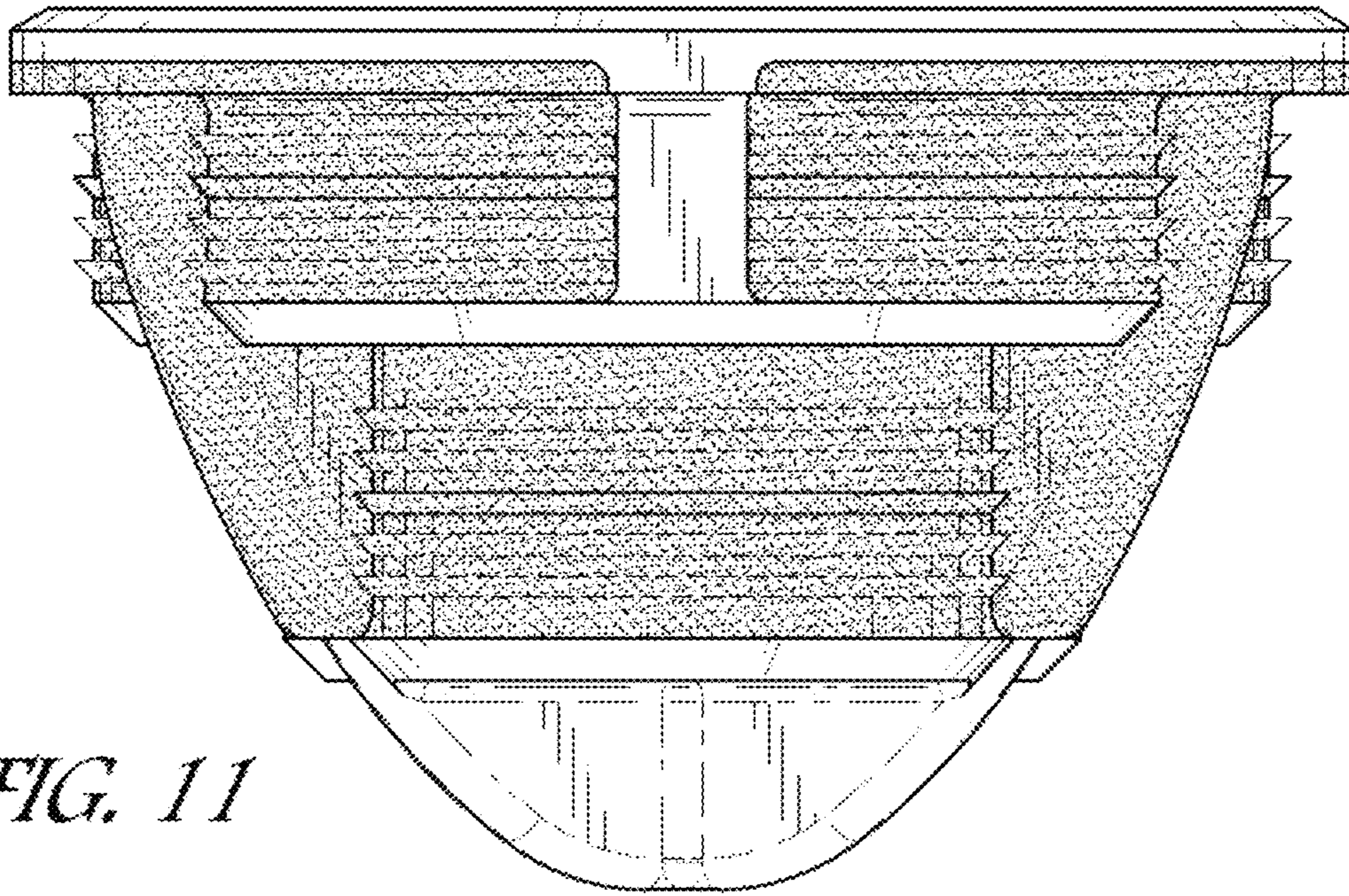


FIG. 11

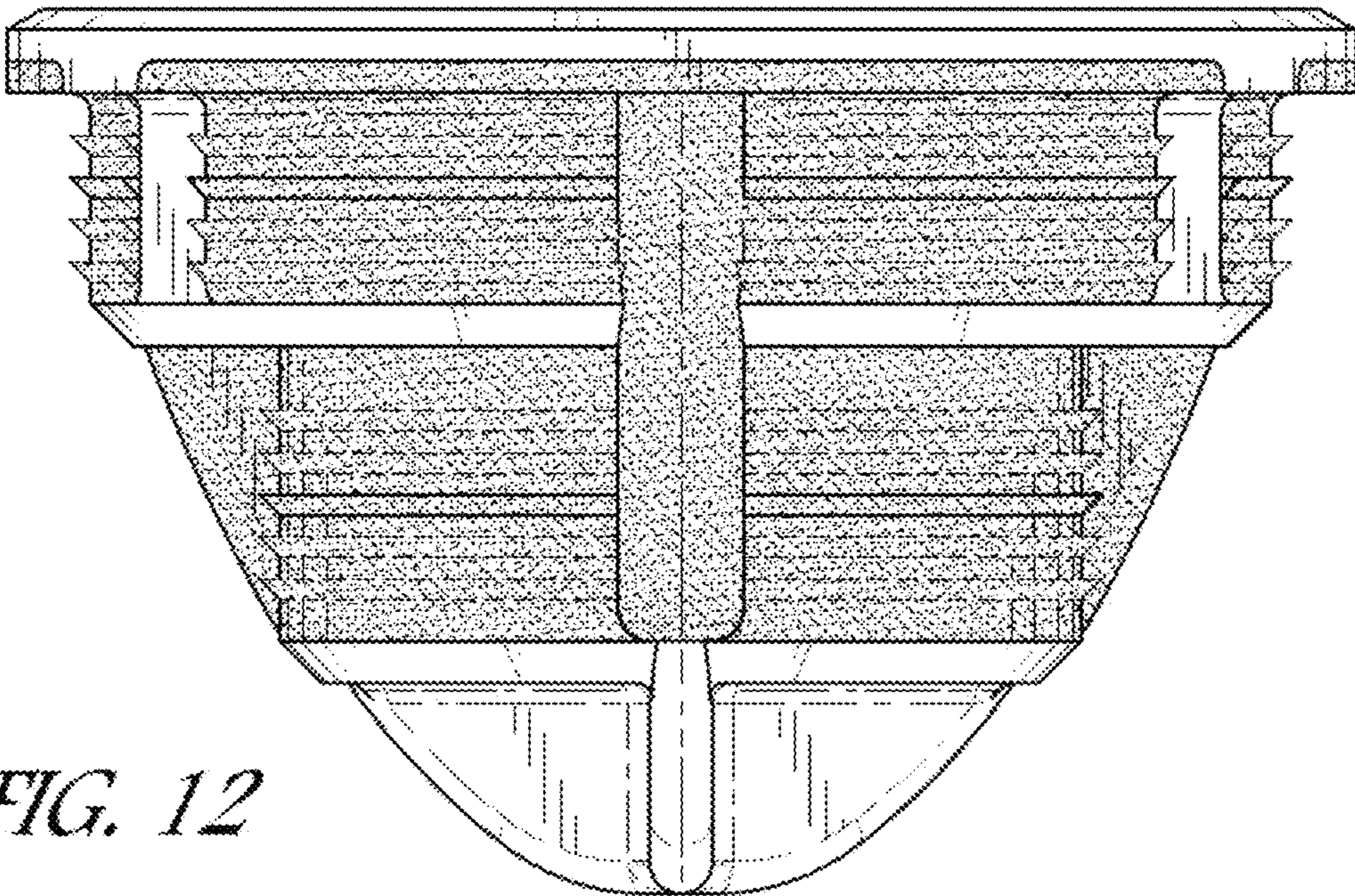


FIG. 12

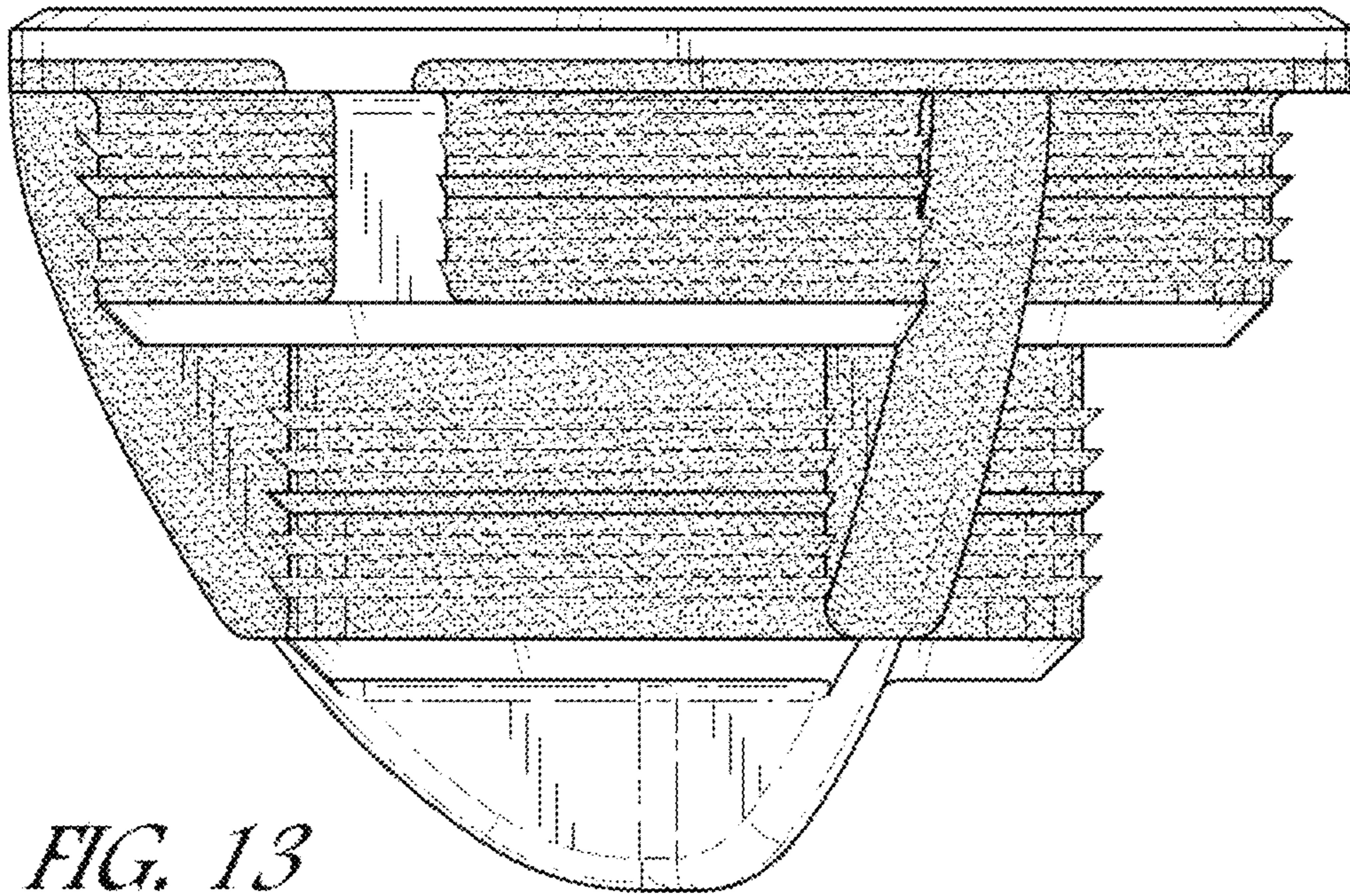


FIG. 13

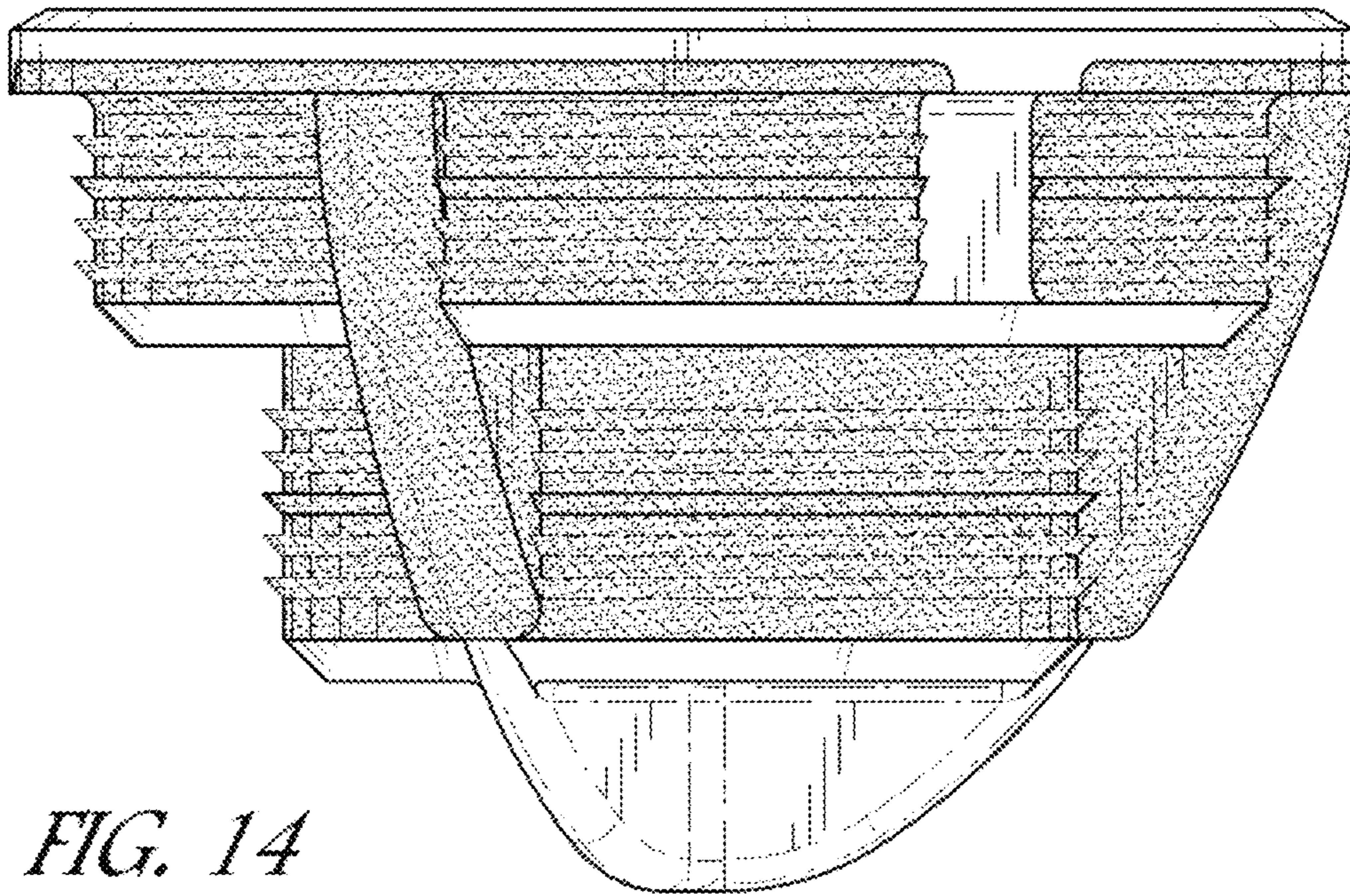


FIG. 14

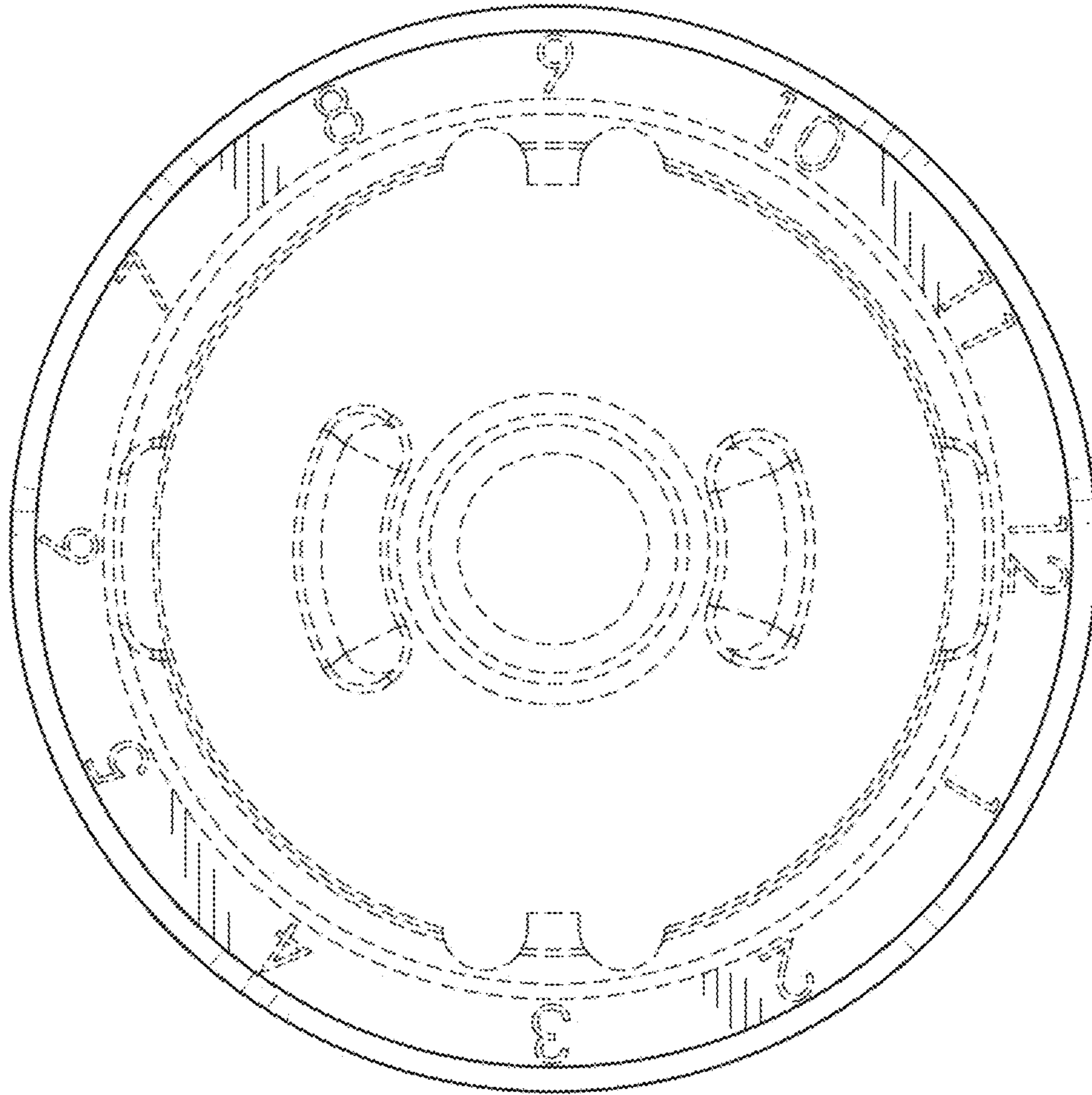


FIG. 15

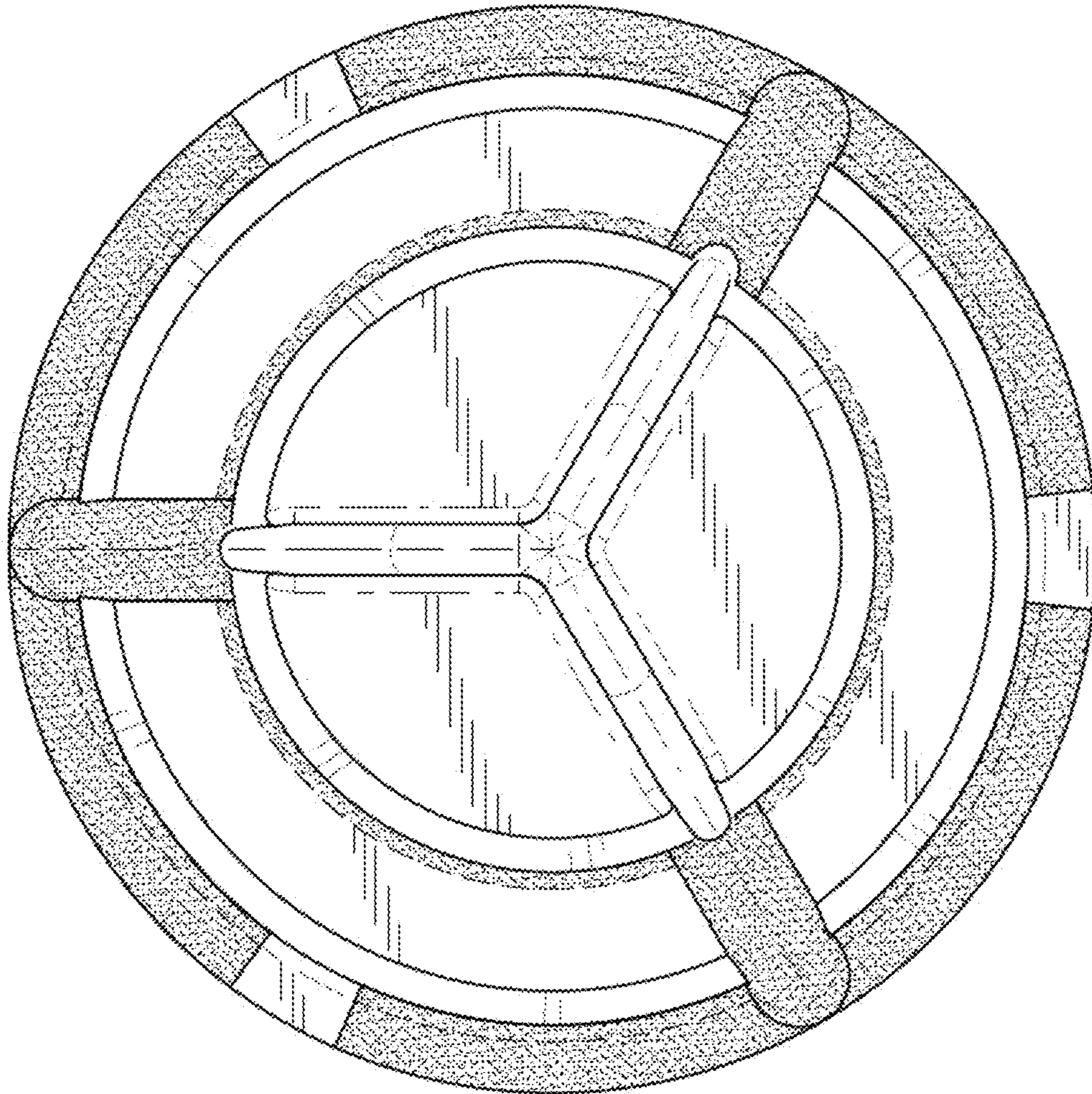


FIG. 16