



US00D985120S

(12) **United States Design Patent** (10) **Patent No.:** **US D985,120 S**
Stinson (45) **Date of Patent:** **** May 2, 2023**

(54) **IRRIGATION BOTTLE ASSEMBLY**
(71) Applicant: **Nicholas Stinson**, Unionville, CT (US)
(72) Inventor: **Nicholas Stinson**, Unionville, CT (US)
(**) Term: **15 Years**
(21) Appl. No.: **29/788,732**
(22) Filed: **Jul. 22, 2021**
(51) **LOC (14) Cl.** **24-02**
(52) **U.S. Cl.**
USPC **D24/112**
(58) **Field of Classification Search**
USPC D24/112, 115, 127, 130, 133, 146, 147,
D24/189, 190, 191, 192, 120; D9/516,
D9/549, 550, 551, 553, 554
CPC A61F 13/00; A61F 13/023; A61F 15/008;
A61F 15/004; A61F 13/024; A61F
13/0246; A61F 2013/00412; A61M
2025/0246; A61M 25/02; A61M 25/024;
A61M 25/0266; A61M 25/0253; A61C
15/00; A61B 17/244; A61B 13/00; A61B
2017/00398; A46B 15/0069; A46B
15/0071; A46B 2200/1066; A46B 5/02
See application file for complete search history.

(56) **References Cited**
U.S. PATENT DOCUMENTS
D248,448 S * 7/1978 McClure D24/115
D374,613 S * 10/1996 Maxwell D24/115
D375,255 S * 11/1996 Uhl D9/557
D376,536 S * 12/1996 Maxwell D24/115
D444,227 S * 6/2001 Hennemann D24/115
6,540,718 B1 * 4/2003 Wennek A61M 3/0241
604/275
D501,142 S * 1/2005 Pattison D9/569
D530,618 S * 10/2006 Estabrook D9/551
D592,836 S * 5/2009 Cho
D653,953 S * 2/2012 Wakeman D9/575

D700,148 S * 2/2014 Paul D13/168
9,615,968 B2 4/2017 Rand
9,770,061 B2 9/2017 Sansone
D805,401 S * 12/2017 Boctor D9/741
10,021,926 B2 7/2018 Stevenson
D829,416 S 10/2018 Lin
D859,157 S * 9/2019 Hazelton D9/503
D872,852 S * 1/2020 Mechor D24/108
D895,107 S * 9/2020 Zhang D24/121
D895,428 S * 9/2020 Toh D9/563
D896,368 S * 9/2020 Zhang D24/121
D900,997 S * 11/2020 Ancerewicz D24/108
D904,887 S * 12/2020 Habig D9/520
D935,904 S * 11/2021 Johnson D10/49
D948,709 S * 4/2022 Zhang D24/121
D956,970 S * 7/2022 Bambury D24/133
D958,976 S * 7/2022 Orrington, II D24/127
D964,565 S * 9/2022 Olson D24/147
D965,143 S * 9/2022 Doubet A61J 1/2048
D24/130
D965,777 S * 10/2022 Marici D24/130
D968,603 S * 11/2022 Grinberg D24/146

(Continued)

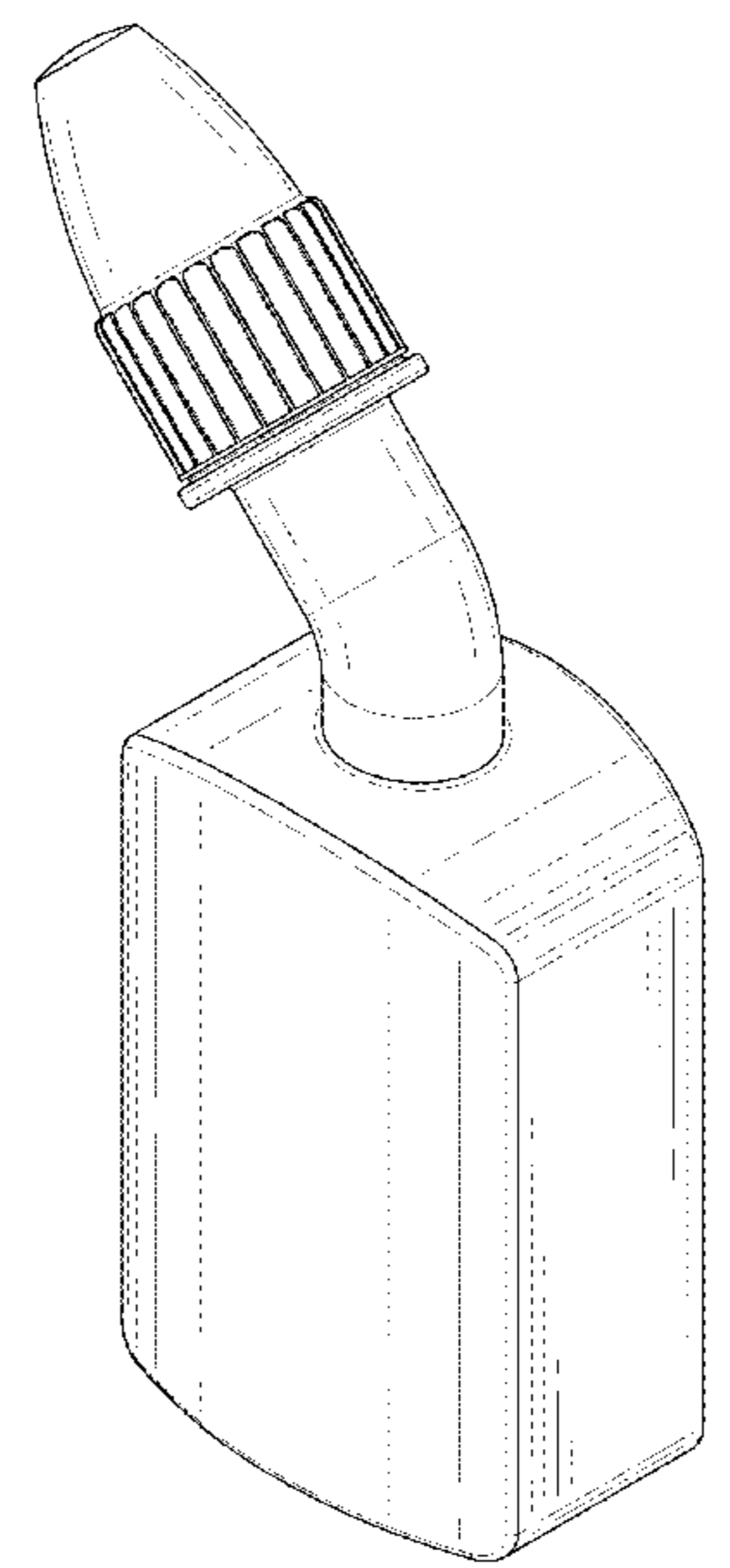
Primary Examiner — Samantha Q Lawrence
(74) *Attorney, Agent, or Firm* — Emanus, LLC; Willie Jacques

(57) **CLAIM**
The ornamental design for an irrigation bottle assembly, as shown and described.

DESCRIPTION

FIG. 1 is a perspective view of a bottle assembly;
FIG. 2 is a front view thereof;
FIG. 3 is a rear view thereof;
FIG. 4 is a left side view thereof;
FIG. 5 is a right side view thereof;
FIG. 6 is a top view thereof;
FIG. 7 is a bottom view thereof; and,
FIG. 8 is an exploded view thereof.

1 Claim, 7 Drawing Sheets



(56)

References Cited

U.S. PATENT DOCUMENTS

2018/0303182 A1 10/2018 Smith
2019/0184088 A1* 6/2019 Mechor A61M 11/008

* cited by examiner

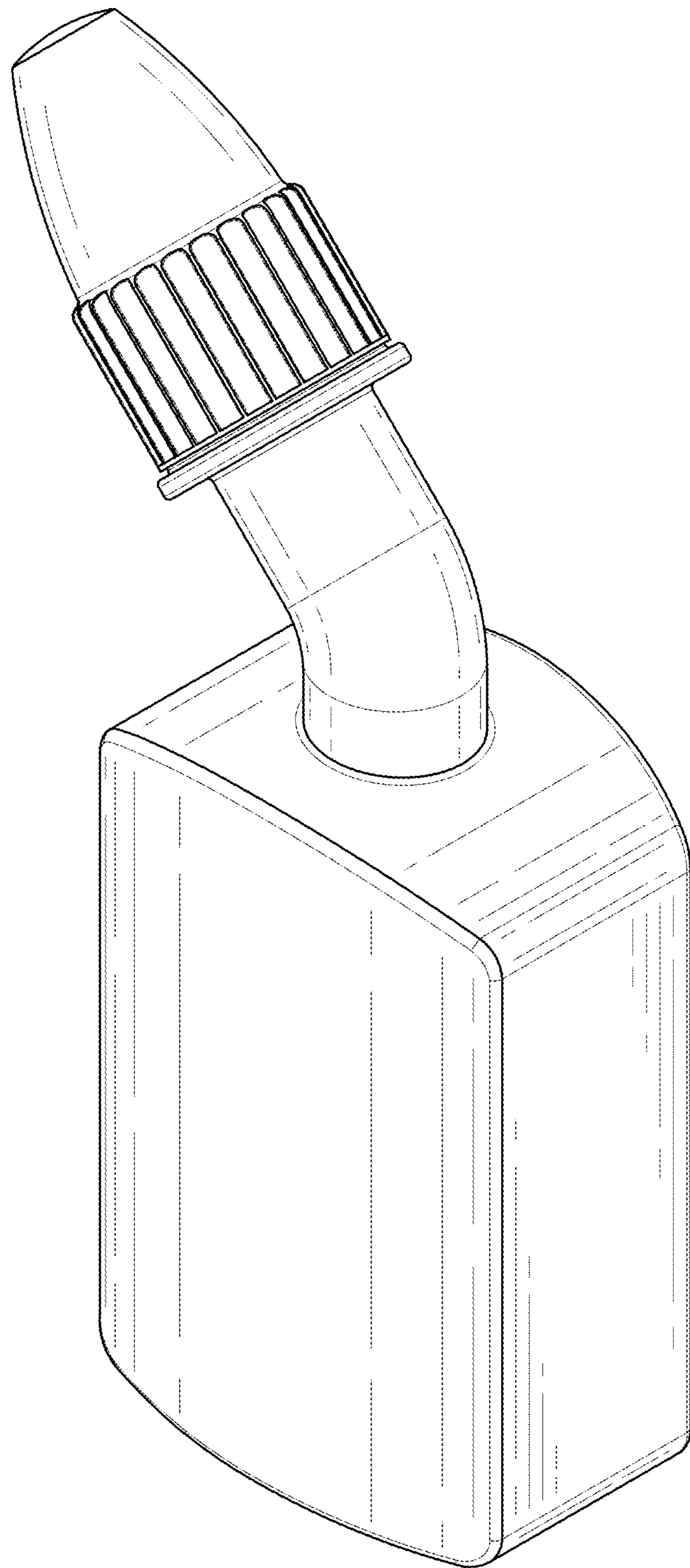


FIG. 1

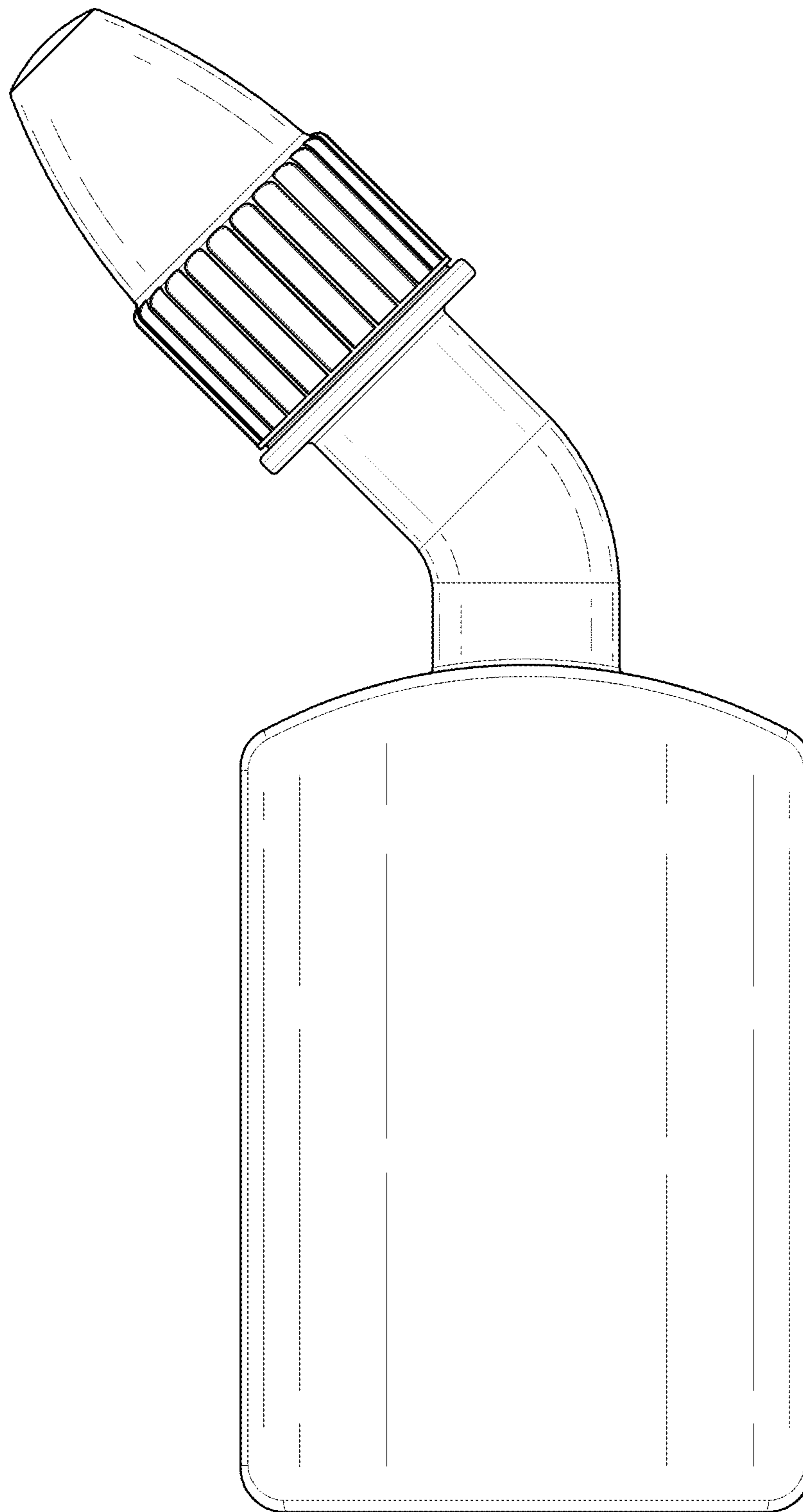


FIG. 2

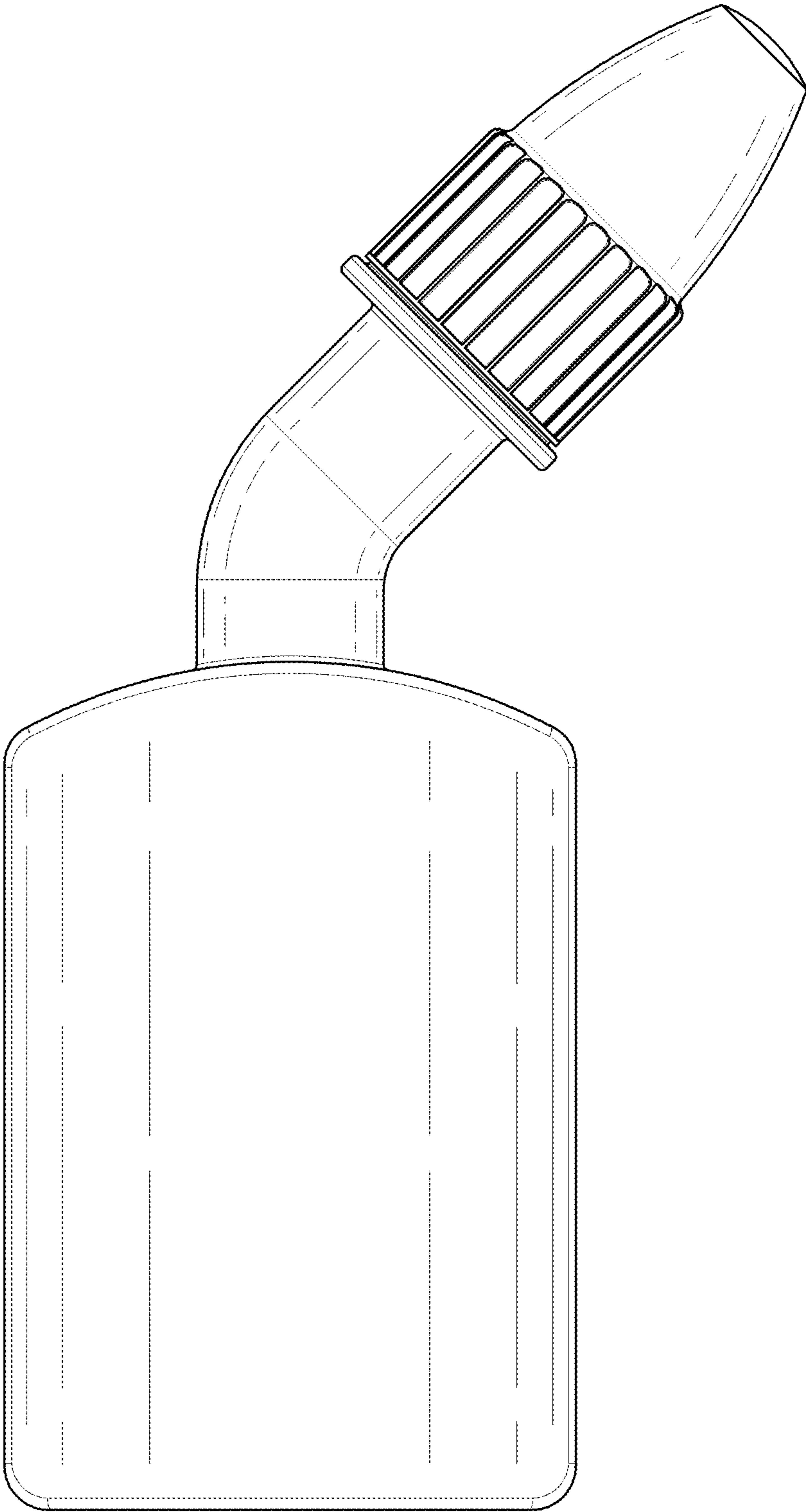


FIG. 3

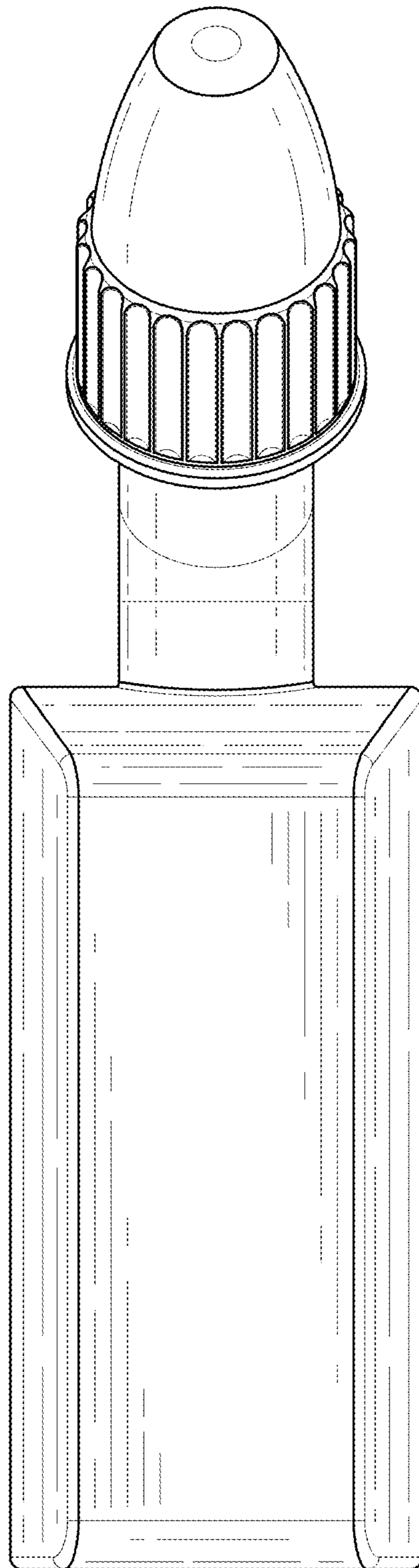


FIG. 4

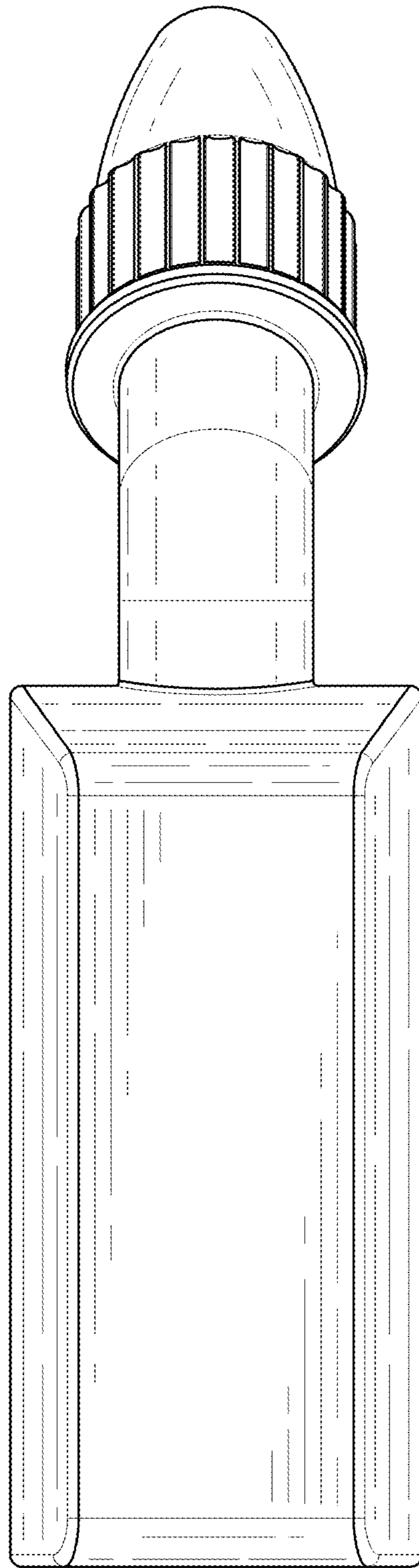


FIG. 5

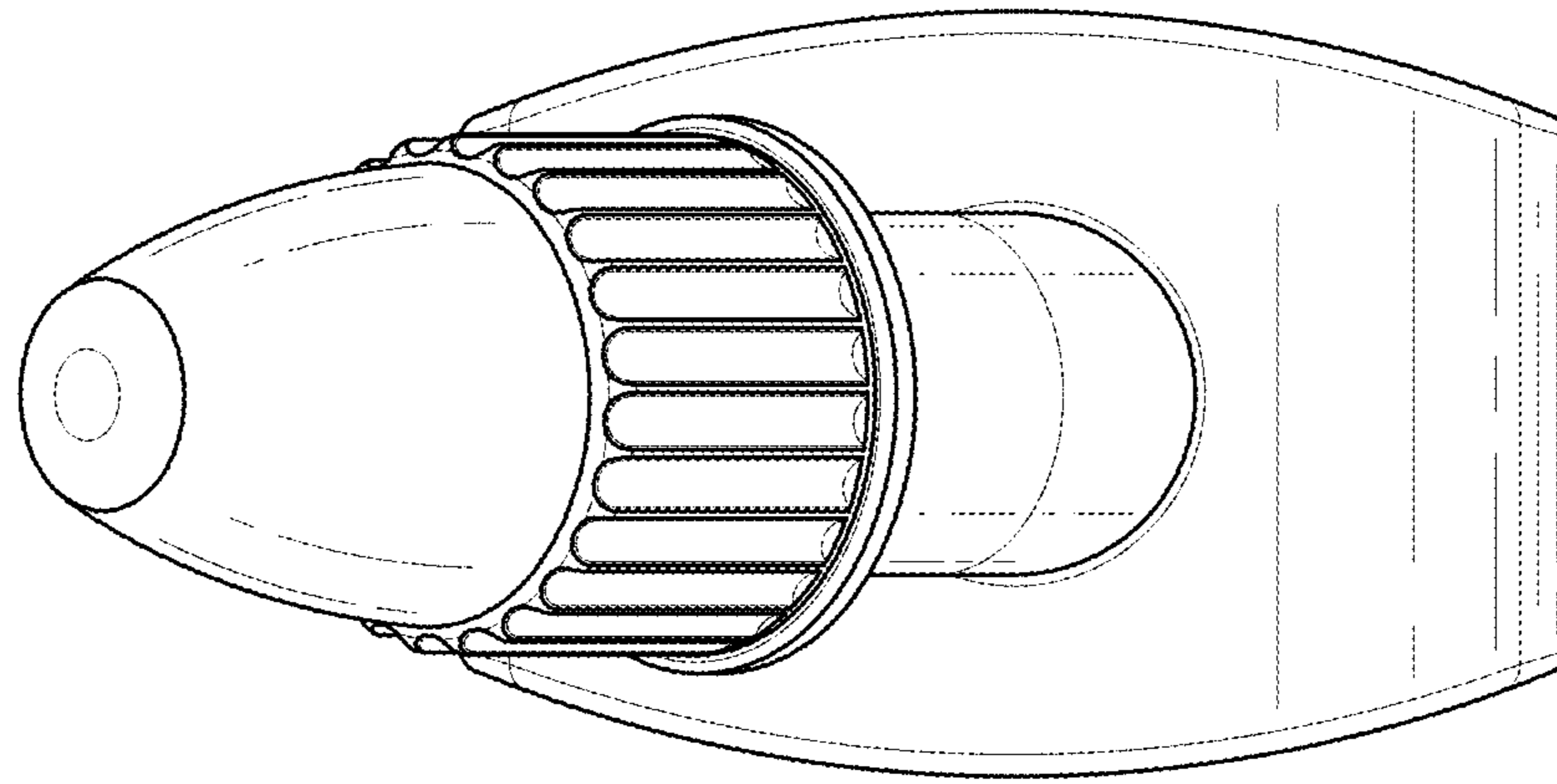


FIG. 6

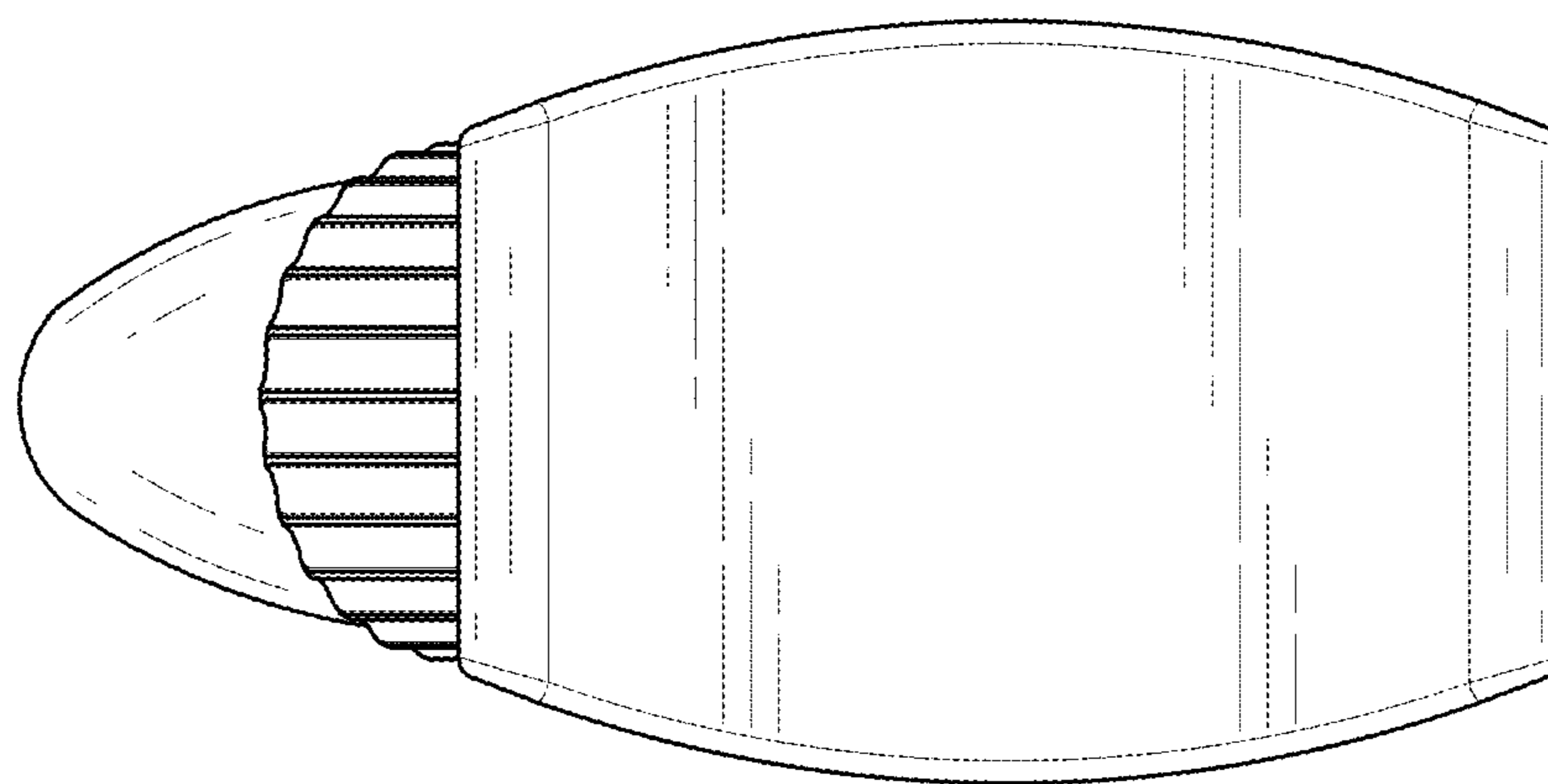


FIG. 7

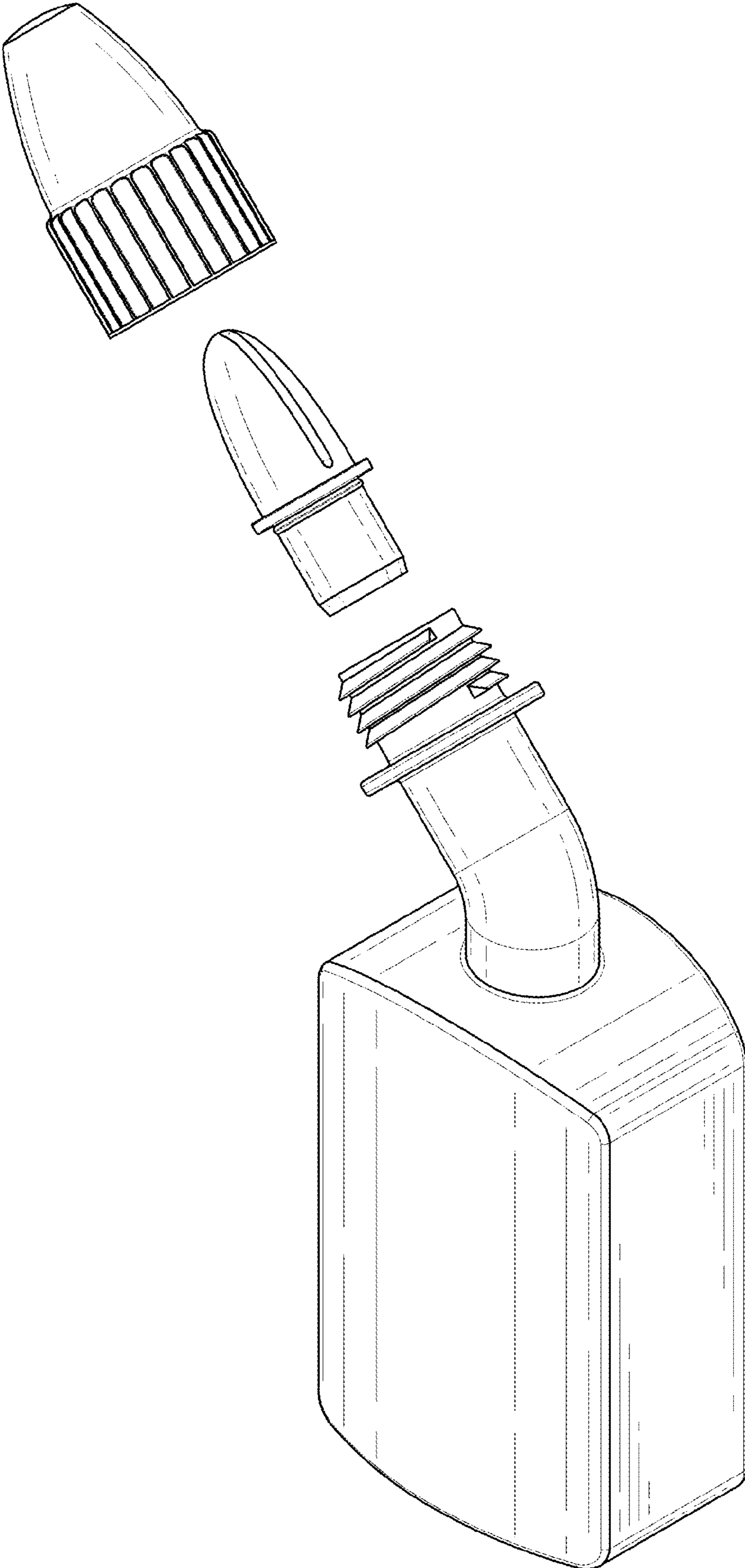


FIG. 8