



US00D985119S

(12) **United States Design Patent** (10) **Patent No.:** **US D985,119 S**  
**Melander et al.** (45) **Date of Patent:** **\*\* May 2, 2023**

(54) **HANDHELD DRUG DELIVERY DEVICE**

(71) Applicant: **AMGEN INC.**, Thousand Oaks, CA (US)

(72) Inventors: **Matias Melander**, Copenhagen (DK); **Bjarke Lykke Ludvig Svendsen**, Slagelse (DK); **Christian Plambech**, Soeborg (DK); **Michael Sorensen**, Jyllinge (DK); **Dylan Bourelle**, Woodland Hills, CA (US)

(73) Assignee: **AMGEN INC.**, Thousand Oaks, CA (US)

(\*\*) Term: **15 Years**

(21) Appl. No.: **29/776,495**

(22) Filed: **Mar. 30, 2021**

(51) **LOC (14) Cl.** ..... **24-02**

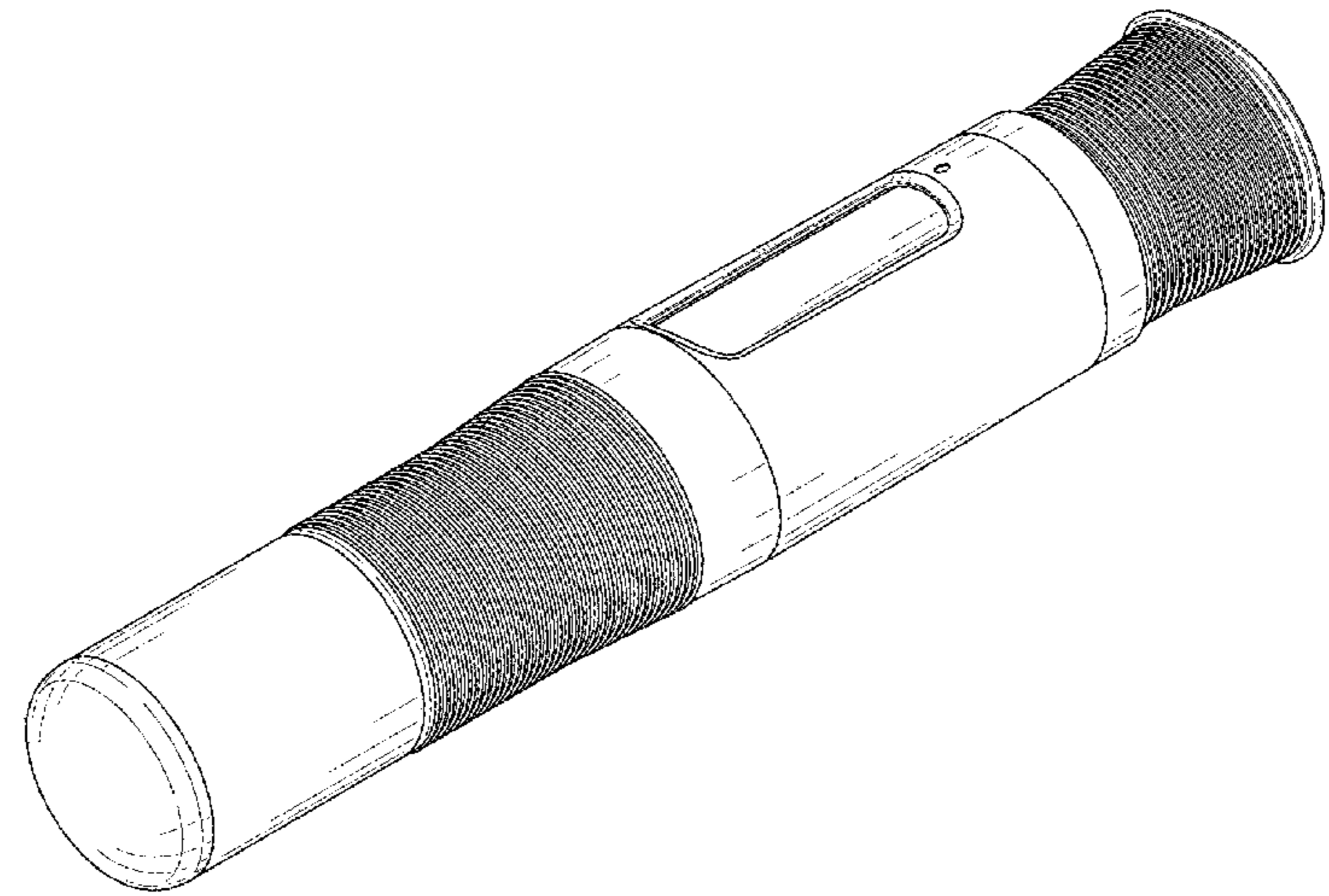
(52) **U.S. Cl.**  
USPC ..... **D24/113**

(58) **Field of Classification Search**  
USPC ..... D24/112, 113, 114, 133, 186, 127-131; D19/115-123, 177, 193  
CPC ..... A61M 5/3156; A61M 5/31591; A61M 5/3155; A61M 5/3157; A61M 5/24; A61M 5/31501; A61M 5/31551; A61M 5/31585  
See application file for complete search history.

6,585,702	B1	7/2003	Brunel
D497,806	S	11/2004	Nichols et al.
D509,296	S	9/2005	Minshull et al.
D545,895	S	7/2007	Okutani
7,247,153	B2	7/2007	Guala
7,370,759	B2	5/2008	Hommann
7,397,730	B2	7/2008	Skyggebjerg et al.
7,597,685	B2	10/2009	Olson
D605,006	S	12/2009	Shiao
D612,486	S	3/2010	Van der Stappen
D616,089	S	5/2010	Van der Stappen
D619,244	S	7/2010	Van der Stappen
D620,106	S	7/2010	Van der Stappen
D621,929	S	8/2010	Van der Stappen
D622,374	S	8/2010	Julian et al.
7,771,397	B1	8/2010	Olson
D623,738	S	9/2010	Van der Stappen
7,794,432	B2	9/2010	Young et al.
7,806,861	B2	10/2010	Witowski
D626,994	S	11/2010	Gerules
D627,061	S	11/2010	Van der Stappen
D628,690	S	12/2010	Galbraith
D629,509	S	12/2010	Julian et al.
D640,786	S	6/2011	Sato et al.
7,988,675	B2	8/2011	Gillespie, III et al.
8,062,255	B2	11/2011	Brunnberg et al.
D660,958	S	5/2012	McLoughlin et al.
8,298,194	B2	10/2012	Schmidt
D671,638	S	11/2012	Young et al.
8,313,470	B2	11/2012	Abry
8,357,125	B2	1/2013	Grunhut et al.
8,361,025	B2	1/2013	Lawlis et al.
8,372,035	B2	2/2013	Matusch
D678,514	S	3/2013	Foley et al.
D683,016	S	5/2013	Mirza et al.
8,529,518	B2	9/2013	Larsen et al.
8,568,359	B2	10/2013	Carrel et al.
8,568,364	B2	10/2013	Plumptre
D692,998	S	11/2013	Broberg et al.
D696,397	S	12/2013	Guarraia et al.
D696,770	S	12/2013	Schneider et al.
D696,772	S	12/2013	Schneider et al.
D696,773	S	12/2013	Schneider et al.
D696,774	S	12/2013	Guarraia et al.
D696,775	S	12/2013	Guarraia et al.
8,608,709	B2	12/2013	Moeller et al.
D697,205	S	1/2014	Schneider et al.
8,647,299	B2	2/2014	Stamp
8,696,618	B2	4/2014	Kramer et al.
8,740,871	B2	6/2014	Lawlis et al.
D708,317	S	7/2014	Schneider et al.
8,814,828	B2	8/2014	Llewellyn-Hyde et al.
8,817,258	B2	8/2014	Whalley et al.

(56) **References Cited**  
U.S. PATENT DOCUMENTS

758,567	A	4/1904	Siebelist
3,316,909	A	5/1967	Cowley
D321,472	S	11/1991	Evans et al.
5,098,400	A	3/1992	Crouse et al.
5,562,637	A	10/1996	Utterberg
5,569,192	A	10/1996	van der Wal
5,964,731	A	10/1999	Kovelman
D443,641	S	6/2001	Mader
6,447,480	B1	9/2002	Brunel
6,454,746	B1	9/2002	Bydlon et al.
6,575,939	B1	6/2003	Brunel



# US D985,119 S

D714,932 S	10/2014	Hall et al.	D819,200 S	5/2018	Stonecipher et al.
D715,422 S	10/2014	Hall et al.	D819,804 S	6/2018	Knight et al.
D717,428 S	11/2014	Sendatzki et al.	9,987,436 B2	6/2018	Giambattista et al.
8,882,722 B2	11/2014	Bode et al.	D822,198 S	7/2018	Stonecipher et al.
D721,802 S	1/2015	Ohashi	D822,199 S	7/2018	Clawson et al.
D722,158 S	2/2015	Magome et al.	D823,459 S	7/2018	Bendek et al.
D722,256 S	2/2015	Kita	D827,127 S	8/2018	Donnelly
8,945,065 B2	2/2015	Torris et al.	D827,128 S	8/2018	Boyaval et al.
8,945,067 B2	2/2015	McLoughlin et al.	D830,539 S	10/2018	Boyaval et al.
8,992,484 B2	3/2015	Radmer et al.	D831,822 S	10/2018	Guillermo et al.
D726,902 S	4/2015	McLoughlin et al.	10,159,795 B2	12/2018	Cave
D728,782 S	5/2015	Dubuc et al.	10,265,476 B2	4/2019	Laiosa et al.
9,022,982 B2	5/2015	Karlsson et al.	D851,754 S	6/2019	Boyaval et al.
9,033,932 B2	5/2015	Holmqvist	10,335,553 B2	7/2019	Bendek
D732,161 S	6/2015	Ohashi	D857,192 S	8/2019	Burkett et al.
D732,661 S	6/2015	Dubuc et al.	D861,859 S	10/2019	Rapp et al.
D733,869 S	7/2015	Ratjen	D864,378 S	10/2019	Tafazoli et al.
9,072,833 B2	7/2015	Jennings et al.	D866,751 S	11/2019	Rogge et al.
9,078,973 B2	7/2015	Harms et al.	D866,752 S	11/2019	Rogge et al.
D735,848 S	8/2015	Dubuc et al.	D866,757 S *	11/2019	Diluzio ..... D24/133
9,114,212 B2	8/2015	Enggaard et al.	D867,588 S	11/2019	Rogge et al.
D737,639 S	9/2015	Masalin et al.	D868,245 S	11/2019	Holmqvist et al.
D739,011 S	9/2015	Morrison et al.	D868,961 S	12/2019	Stewart et al.
D739,932 S	9/2015	Ratjen et al.	D870,270 S	12/2019	Burkett et al.
9,174,000 B2	11/2015	Bode	10,512,725 B1	12/2019	Bauss et al.
9,233,212 B2	1/2016	Holmqvist	D878,560 S	3/2020	Boyaval et al.
9,238,111 B2	1/2016	Marshall et al.	D878,563 S	3/2020	Clawson et al.
9,242,050 B2	1/2016	Abry	D878,564 S	3/2020	Clawson et al.
9,272,094 B2	3/2016	Boyd et al.	D878,566 S	3/2020	Jansen
9,295,784 B2	3/2016	Eggert et al.	D882,071 S	4/2020	Stonecipher et al.
9,302,053 B2	4/2016	Holmqvist	RE48,006 E	5/2020	Fourt et al.
D755,956 S	5/2016	McLoughlin et al.	D883,475 S	5/2020	Boyaval et al.
D757,255 S	5/2016	Wohlfahrt et al.	D884,161 S *	5/2020	Stewart ..... D24/112
9,333,305 B2	5/2016	McLoughlin et al.	D886,281 S	6/2020	Boyaval et al.
9,339,610 B2	5/2016	Julian et al.	D886,282 S	6/2020	Stonecipher et al.
D758,566 S	6/2016	Chen	D892,311 S	8/2020	Nicholas et al.
D758,567 S	6/2016	Wohlfahrt et al.	D892,312 S	8/2020	Nicholas et al.
D758,568 S	6/2016	Wohlfahrt et al.	D893,710 S	8/2020	Neby
D758,569 S	6/2016	Wohlfahrt et al.	10,780,256 B2	9/2020	Cordoba et al.
D758,570 S	6/2016	Wohlfahrt et al.	D898,189 S	10/2020	Boyaval et al.
D758,571 S	6/2016	Geert-Jensen et al.	D898,900 S	10/2020	Atterbury et al.
D759,813 S	6/2016	Newman et al.	D917,064 S	4/2021	Ribeiro et al.
D759,814 S	6/2016	Newman et al.	D922,566 S	6/2021	Ono
D765,239 S	8/2016	Hauck et al.	D922,567 S	6/2021	Boyaval et al.
D765,240 S	8/2016	Hauck et al.	D931,443 S	9/2021	Bainton et al.
9,421,336 B2	8/2016	Ekman et al.	D956,212 S *	6/2022	Petersen ..... D24/113
D766,425 S	9/2016	Hauck et al.	D958,329 S *	7/2022	Bouelle ..... D24/113
D767,119 S	9/2016	Hauck et al.	D962,423 S *	8/2022	Melander ..... D24/113
D770,610 S	11/2016	Saussaye et al.	2004/0068283 A1	4/2004	Fukuzawa et al.
D773,648 S	12/2016	Wohlfahrt et al.	2005/0148933 A1	7/2005	Raven et al.
D773,650 S	12/2016	Fourt et al.	2006/0100655 A1	5/2006	Leong et al.
D774,639 S	12/2016	Saussaye et al.	2008/0269682 A1	10/2008	Kavazov et al.
D774,641 S	12/2016	Miggels et al.	2008/0269692 A1	10/2008	James et al.
D775,279 S	12/2016	Shen	2009/0054849 A1	2/2009	Burnell et al.
D780,909 S	3/2017	Burkett et al.	2009/0234297 A1	9/2009	Jennings
D783,816 S	4/2017	Wohlfahrt et al.	2010/0152659 A1	6/2010	Streit et al.
9,623,199 B2	4/2017	Richter et al.	2011/0098656 A1	4/2011	Burnell et al.
9,656,027 B2	5/2017	Quinn	2012/0089098 A1	4/2012	Boyd et al.
D788,909 S	6/2017	Ratjen	2012/0123347 A1	5/2012	Boyd et al.
D789,519 S	6/2017	Ratjen et al.	2012/0123350 A1	5/2012	Giambattista et al.
D790,686 S	6/2017	Cox et al.	2012/0197208 A1	8/2012	Bruggemann et al.
D793,547 S	8/2017	Burkett et al.	2012/0232474 A1	9/2012	Nielsen et al.
D794,178 S	8/2017	Daniel et al.	2013/0035645 A1	2/2013	Bicknell et al.
D794,777 S	8/2017	Daniel et al.	2013/0060231 A1	3/2013	Adlon et al.
D794,778 S	8/2017	Daniel et al.	2013/0150802 A1	6/2013	Cloughton
D799,026 S	10/2017	Jones et al.	2013/0211330 A1	8/2013	Pedersen et al.
D802,748 S	11/2017	Mills et al.	2013/0211340 A1	8/2013	Helmer
D802,751 S	11/2017	Ratjen et al.	2013/0274671 A1	10/2013	Jennings et al.
D809,137 S	1/2018	Ratjen	2013/0281933 A1	10/2013	Cowe et al.
D810,280 S	2/2018	Tharp et al.	2013/0310746 A1	11/2013	Wozencroft
D810,282 S	2/2018	Ratjen	2013/0331796 A1	12/2013	Wozencroft
9,895,493 B2	2/2018	Burnell et al.	2014/0012205 A1	1/2014	Jugl et al.
D812,746 S	3/2018	Umamura	2014/0094743 A1	4/2014	Bengtsson
D813,379 S	3/2018	Mills et al.	2014/0101912 A1	4/2014	Abry
D814,022 S *	3/2018	Boyaval ..... D24/113	2014/0207073 A1	7/2014	Shang et al.
RE46,789 E	4/2018	Olson	2014/0213985 A1	7/2014	Teucher et al.
D815,732 S	4/2018	Mills et al.	2014/0221916 A1	8/2014	Kramer et al.
D816,212 S	4/2018	Daniel et al.	2014/0221936 A1	8/2014	Edhouse et al.
D819,198 S	5/2018	Boyaval et al.	2014/0228769 A1	8/2014	Karlsson et al.



U.S. Appl. No. 29/726,050, Notice of Allowance, dated Mar. 23, 2022.

U.S. Appl. No. 29/773,601, Requirement for Restriction/Election, dated Jun. 22, 2022.

U.S. Appl. No. 29/773,604, Requirement for Restriction/Election, dated Jun. 22, 2022.

U.S. Appl. No. 29/773,601, Non-Final Office Action, dated Sep. 14, 2022.

U.S. Appl. No. 12/597,230, Notice of Allowance, dated Jan. 11, 2023.

U.S. Appl. No. 29/783,469, Requirement for Restriction/Election, dated Dec. 20, 2022.

\* cited by examiner

*Primary Examiner* — Natasha Vujcic

*Assistant Examiner* — Gilbert B Ford

(74) *Attorney, Agent, or Firm* — Marshall, Gerstein & Borun LLP

(57) **CLAIM**

We claim, the ornamental design for a handheld drug delivery device, as shown and described.

**DESCRIPTION**

This patent or application file contains a least one drawing executed partly in color. Copies of this patent or patent application publication with drawing(s) partly in color will be provided by the Office upon request and payment of any necessary fee.

FIG. 1 is a perspective view of a first embodiment for a handheld drug delivery device;

FIG. 2 is a front view of the handheld drug delivery device of FIG. 1;

FIG. 3 is a rear view of the handheld drug delivery device of FIG. 1;

FIG. 4 is a right-side view of the handheld drug delivery device of FIG. 1;

FIG. 5 is a left-side view of the handheld drug delivery device of FIG. 1;

FIG. 6 is a top view of the handheld drug delivery device of FIG. 1;

FIG. 7 is a bottom view of the handheld drug delivery device of FIG. 1;

FIG. 8 is a perspective view of the handheld drug delivery device of FIG. 1 with its cap removed;

FIG. 9 is a perspective view of a second embodiment for a handheld drug delivery device;

FIG. 10 is a front view of the handheld drug delivery device of FIG. 9;

FIG. 11 is a rear view of the handheld drug delivery device of FIG. 9;

FIG. 12 is a right-side view of the handheld drug delivery device of FIG. 9;

FIG. 13 is a left-side view of the handheld drug delivery device of FIG. 9;

FIG. 14 is a top view of the handheld drug delivery device of FIG. 9;

FIG. 15 is a bottom view of the handheld drug delivery device of FIG. 9;

FIG. 16 is a perspective view of the handheld drug delivery device of FIG. 9 with its cap removed;

FIG. 17 is a perspective view of a third embodiment for a handheld drug delivery device;

FIG. 18 is a front view of the handheld drug delivery device of FIG. 17;

FIG. 19 is a rear view of the handheld drug delivery device of FIG. 17;

FIG. 20 is a right-side view of the handheld drug delivery device of FIG. 17;

FIG. 21 is a left-side view of the handheld drug delivery device of FIG. 17;

FIG. 22 is a top view of the handheld drug delivery device of FIG. 17;

FIG. 23 is a bottom view of the handheld drug delivery device of FIG. 17; and,

FIG. 24 is a perspective view of the handheld drug delivery device of FIG. 17 with its cap removed.

The broken lines in the drawings illustrate portions of the handheld drug delivery device and form no part of the claimed design.

**1 Claim, 15 Drawing Sheets  
(5 of 15 Drawing Sheet(s) Filed in Color)**

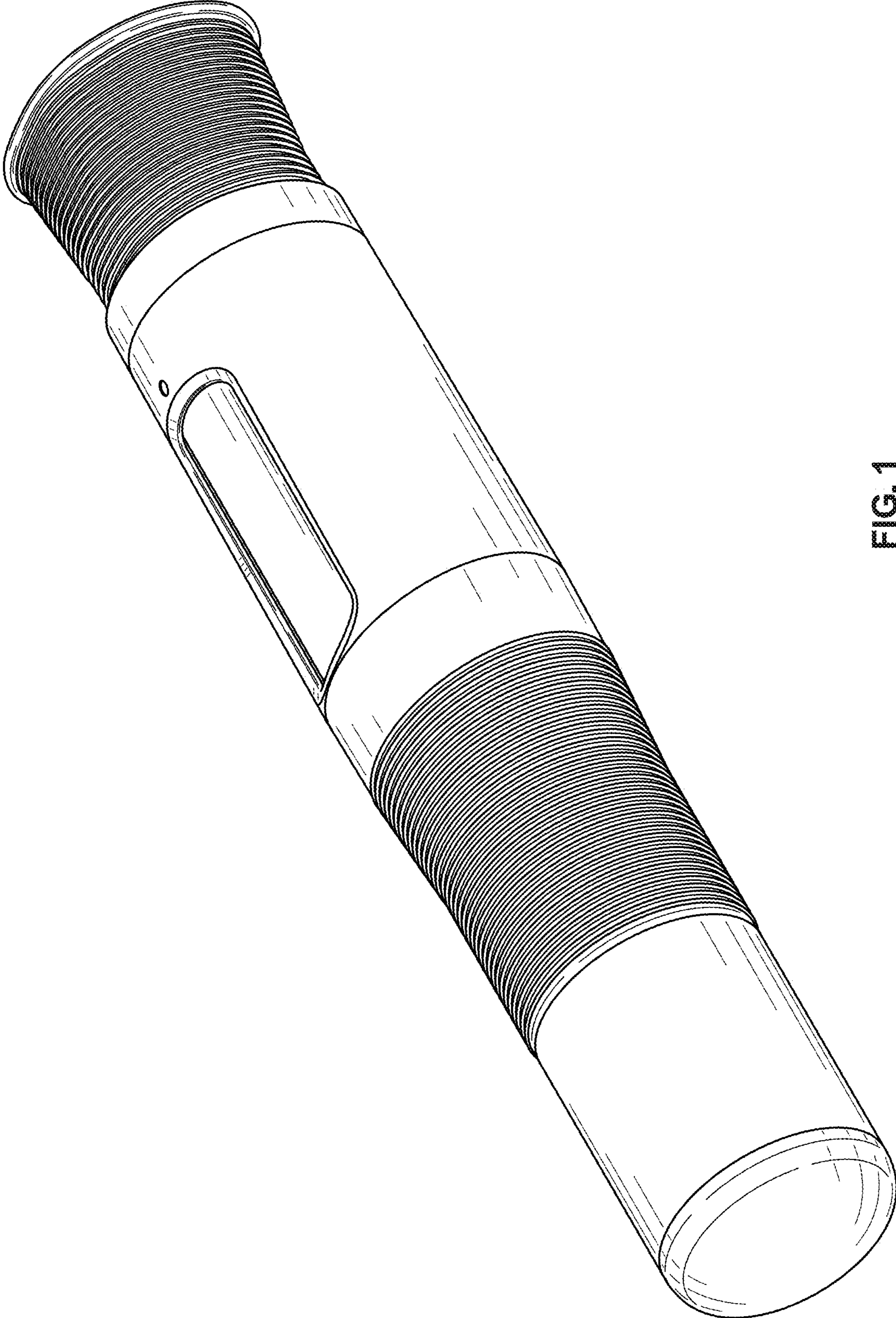


FIG. 1

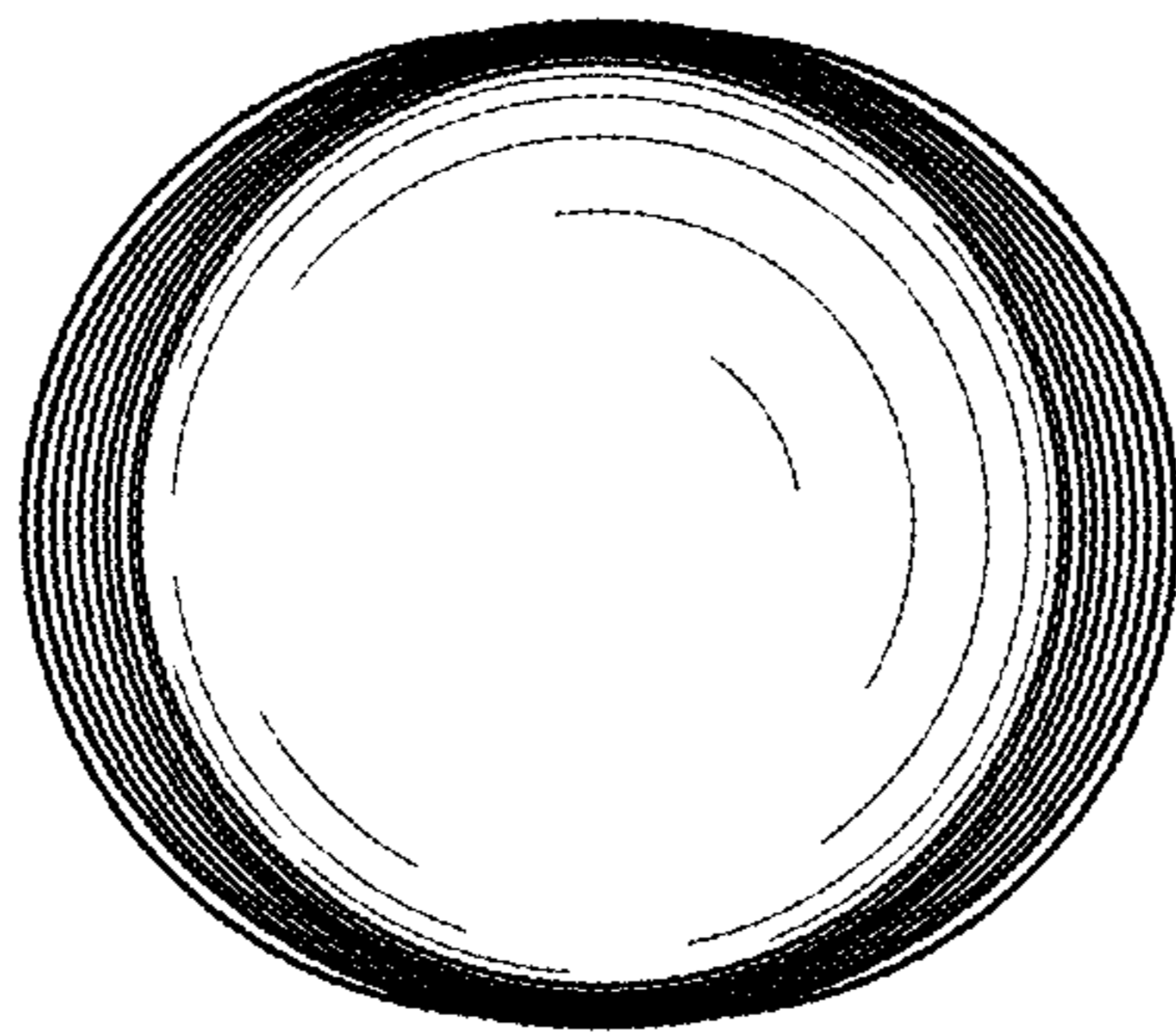


FIG. 3

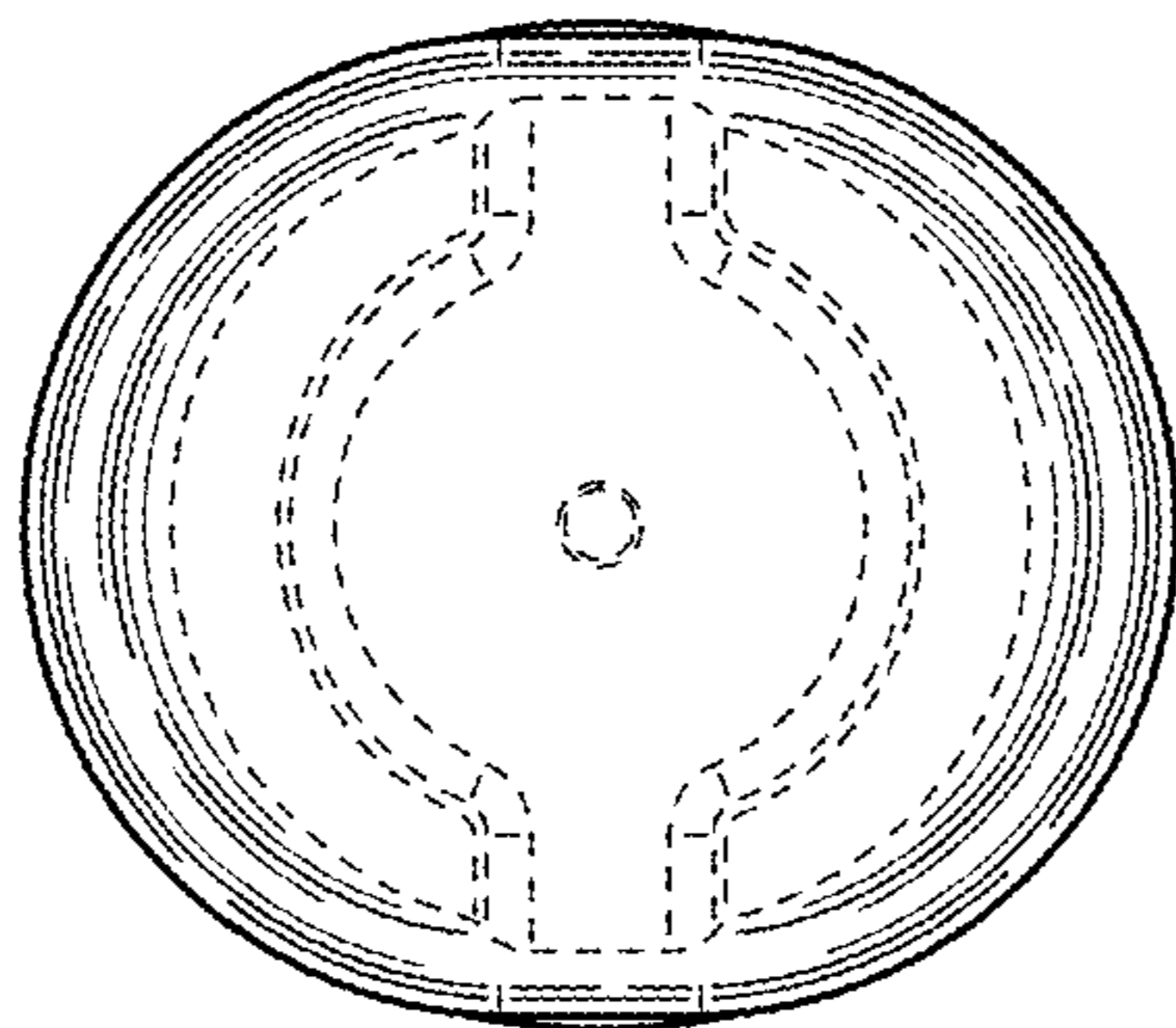


FIG. 2

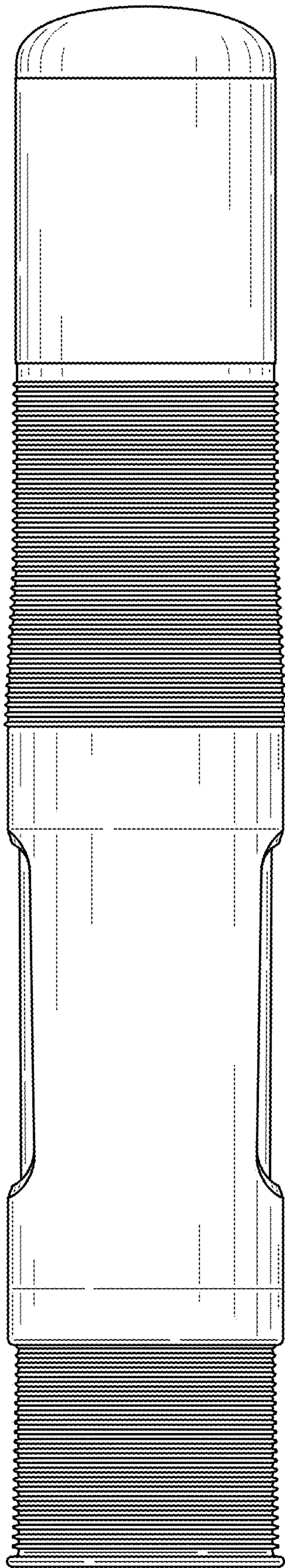


FIG. 4

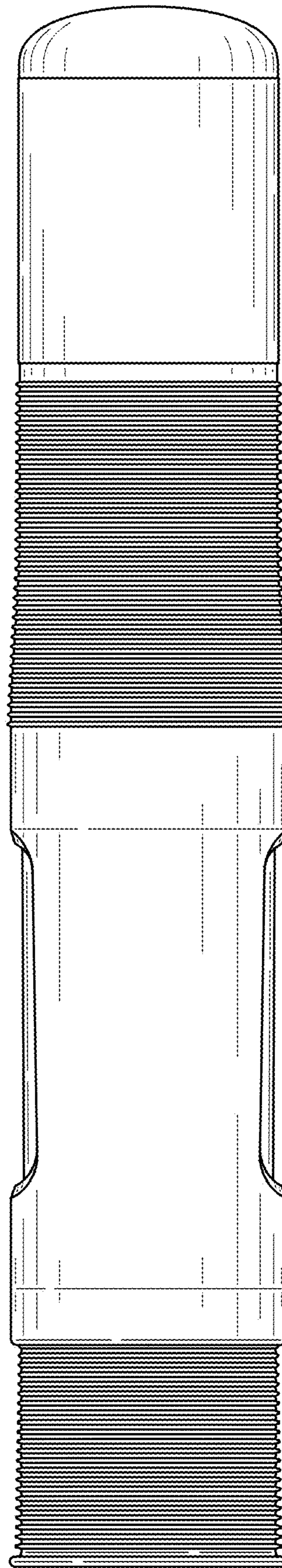


FIG. 5

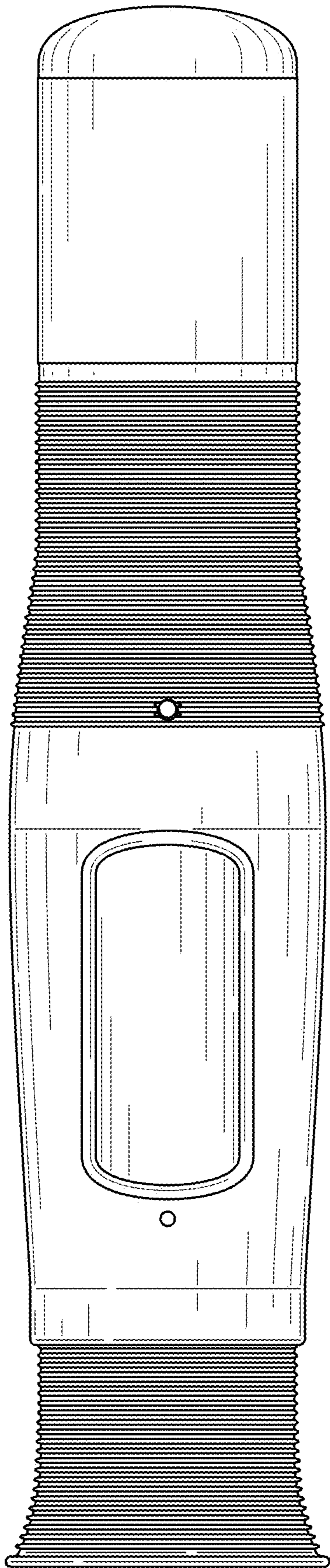


FIG. 6

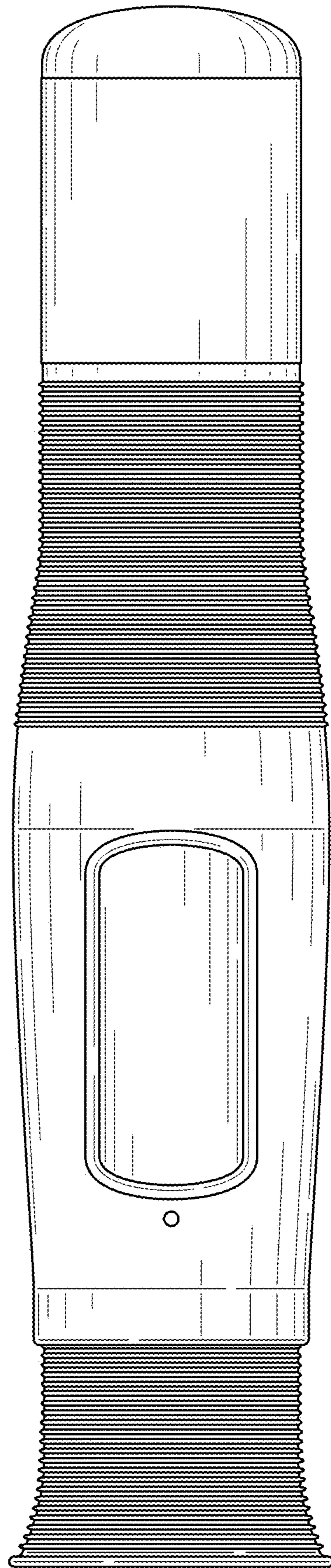


FIG. 7



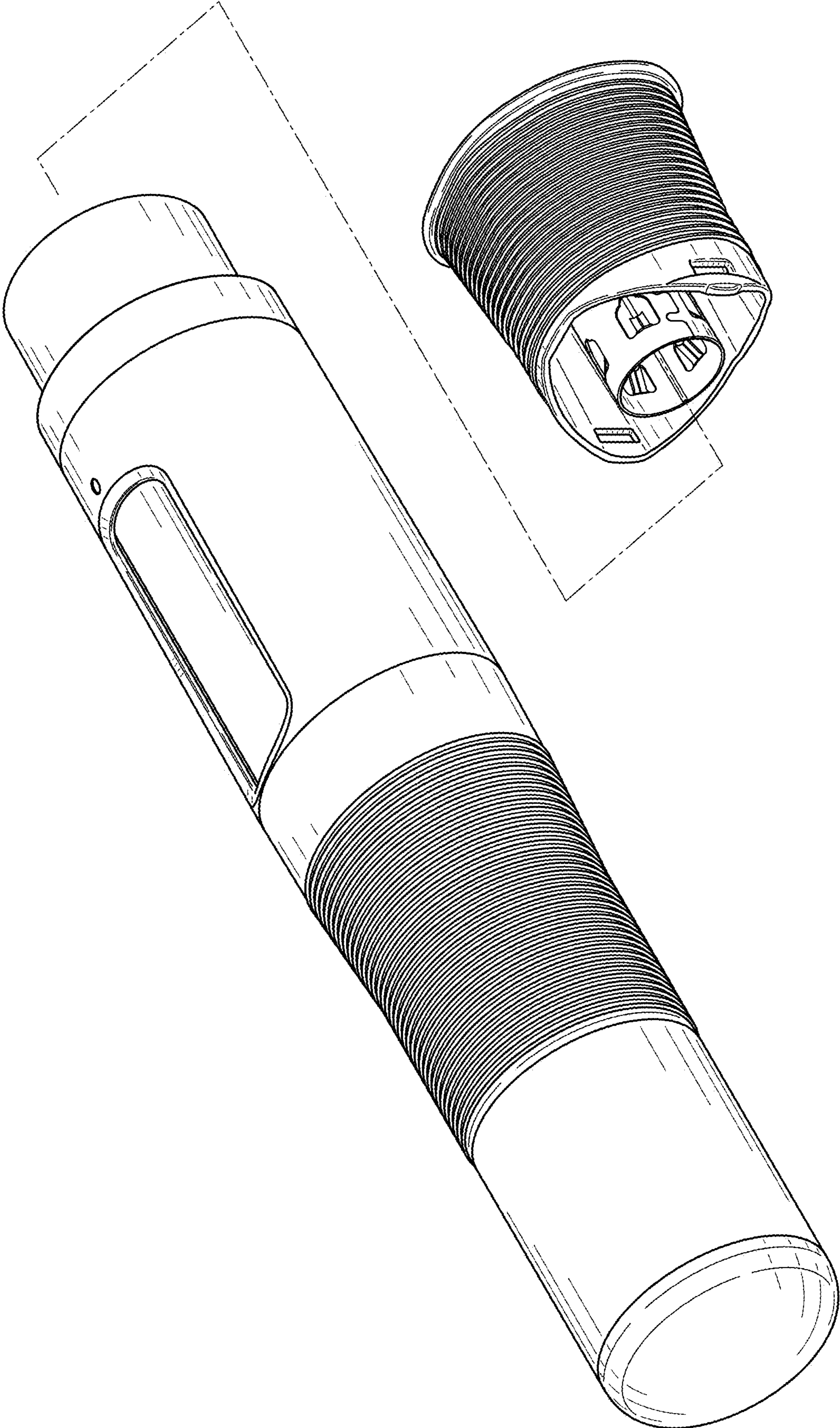


FIG. 8

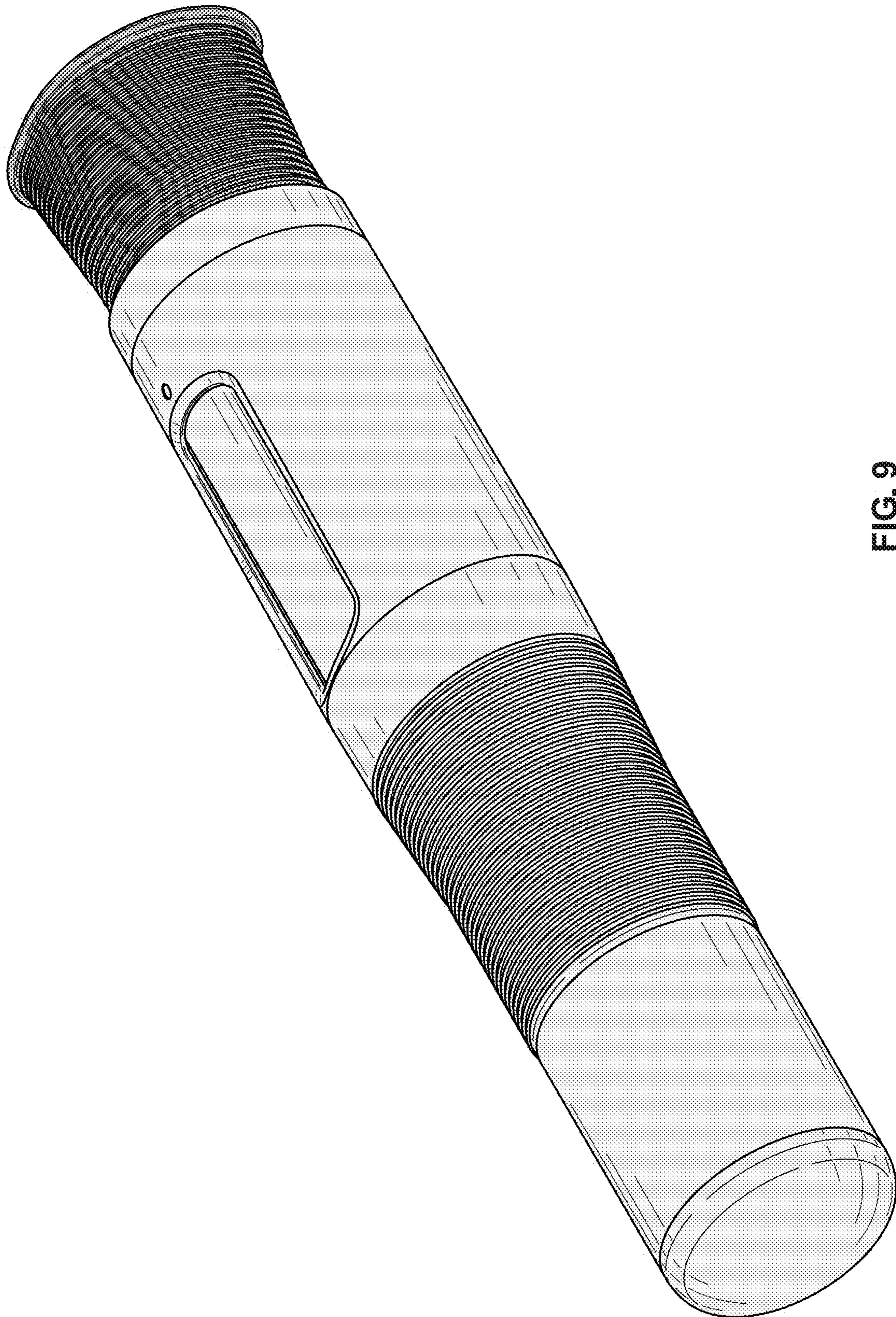


FIG. 9

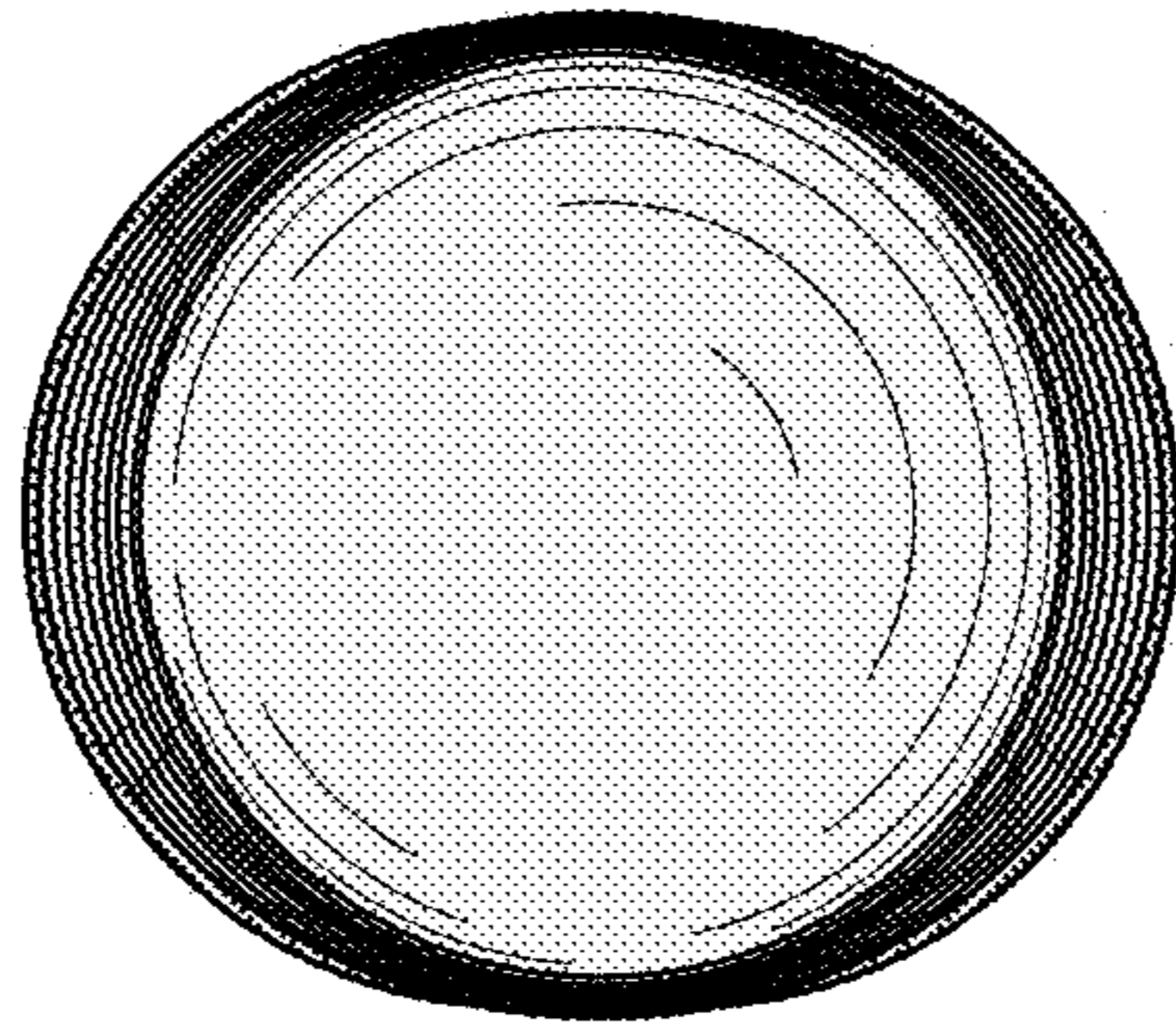


FIG. 11

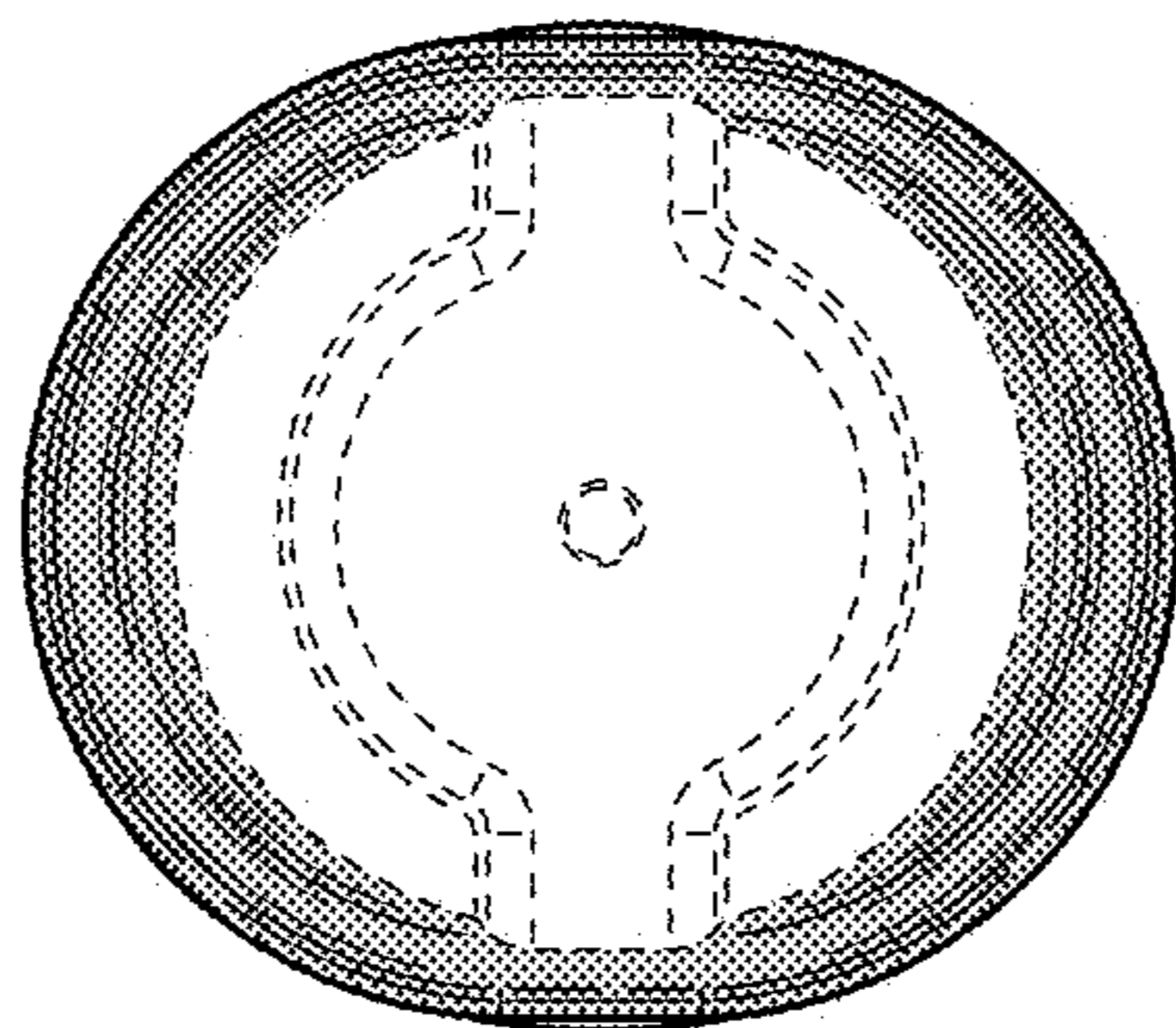


FIG. 10

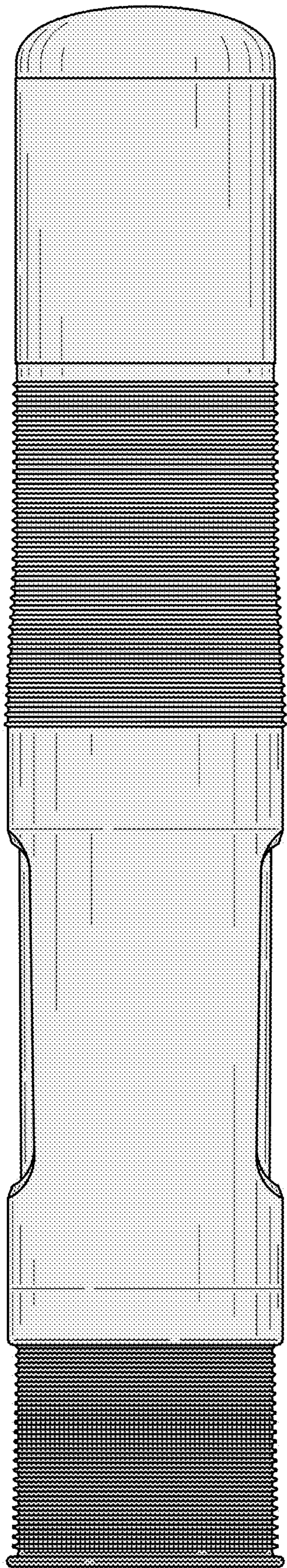


FIG. 12

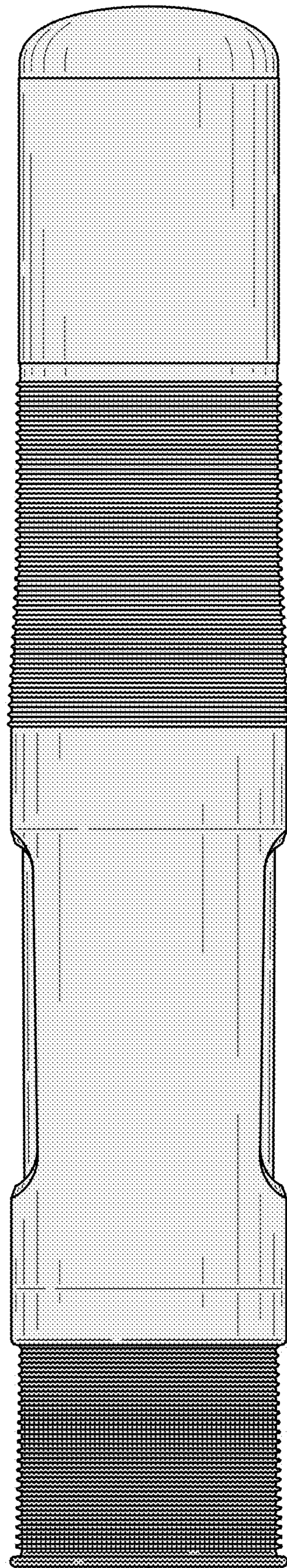


FIG. 13

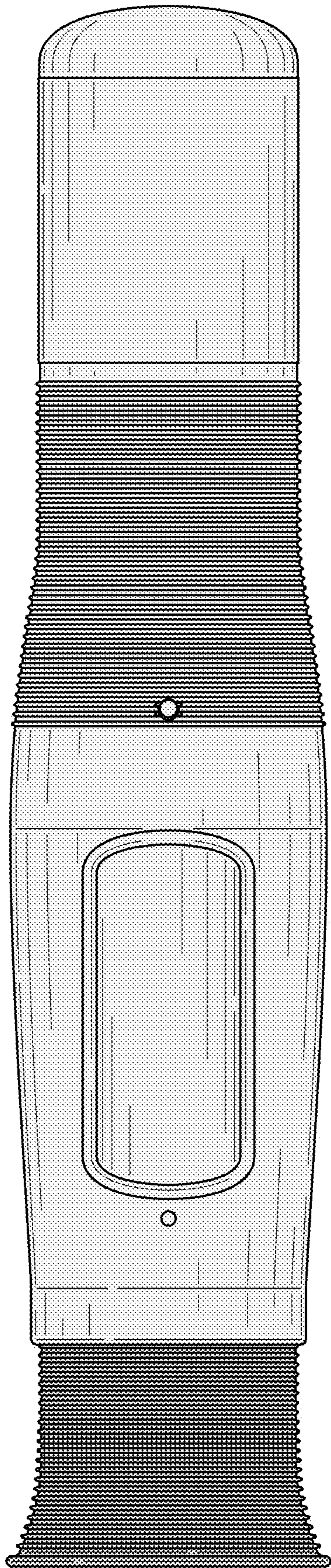


FIG. 14

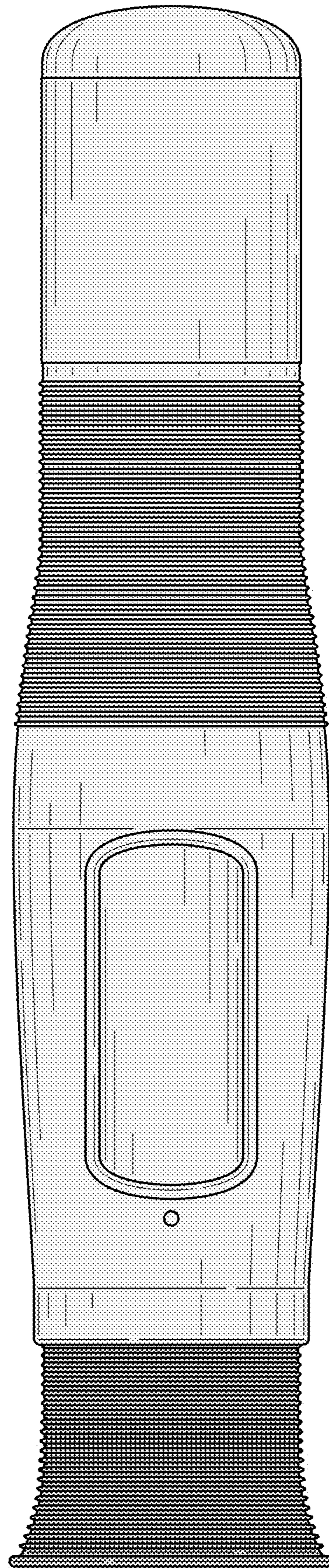


FIG. 15

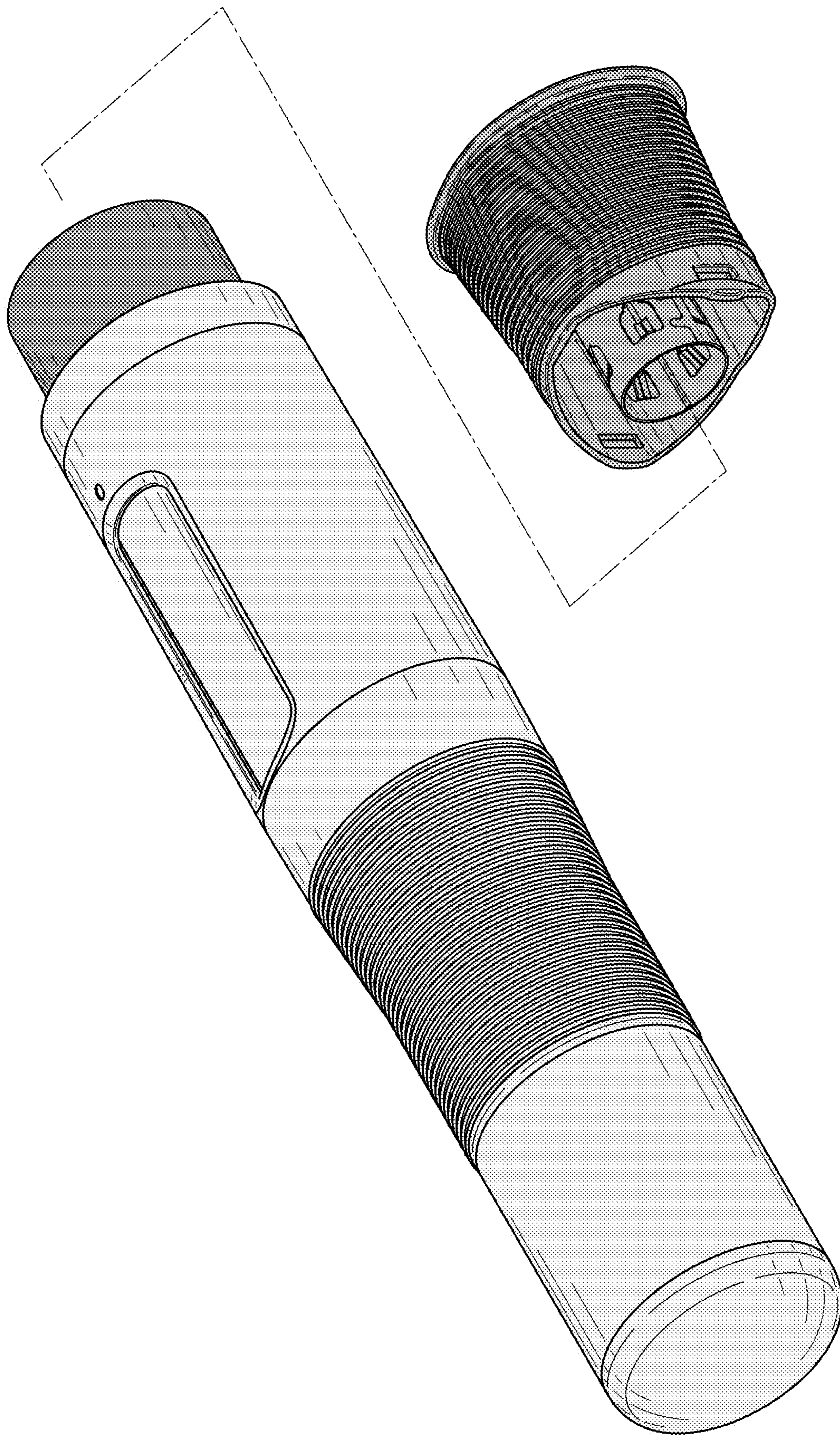


FIG. 16

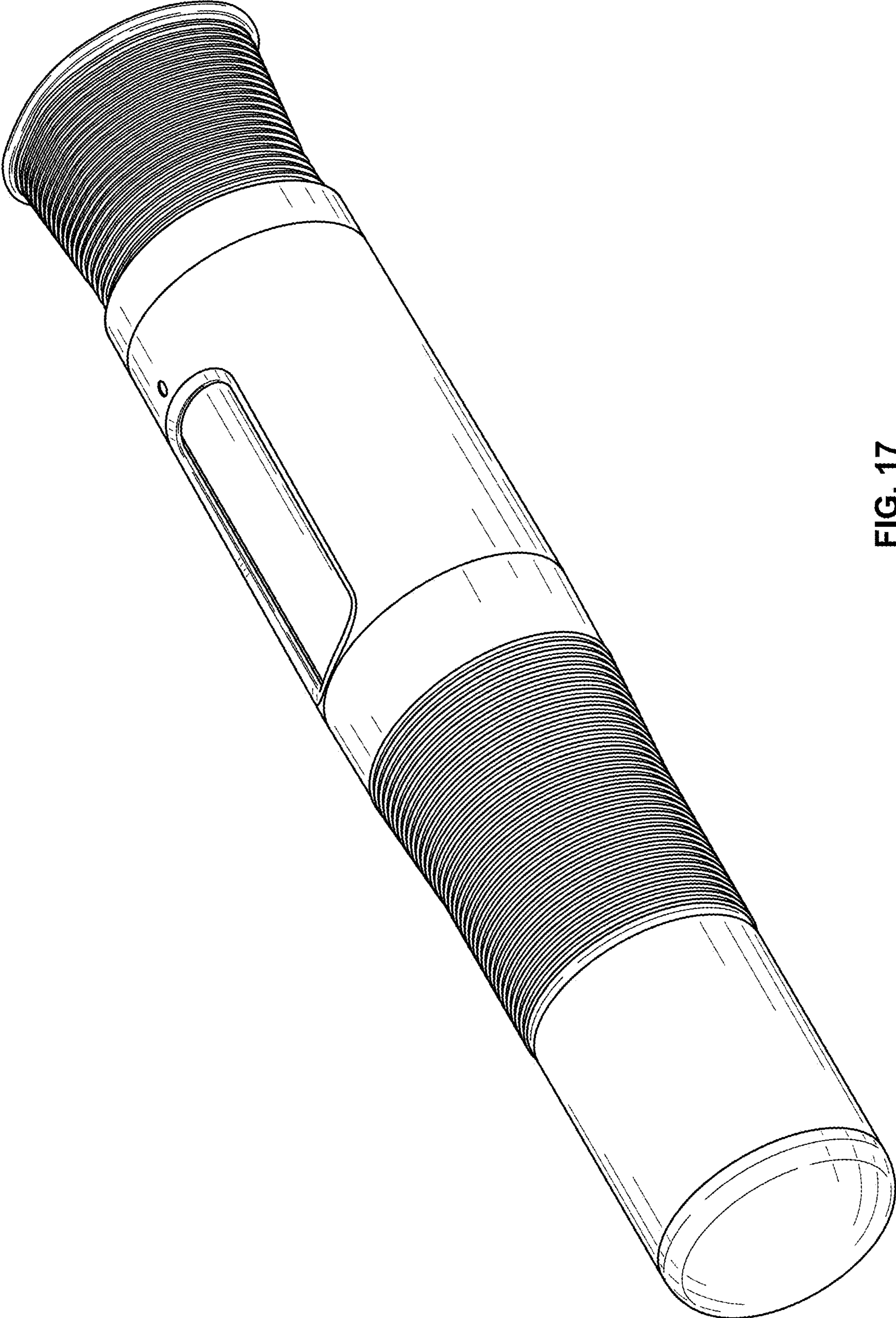


FIG. 17

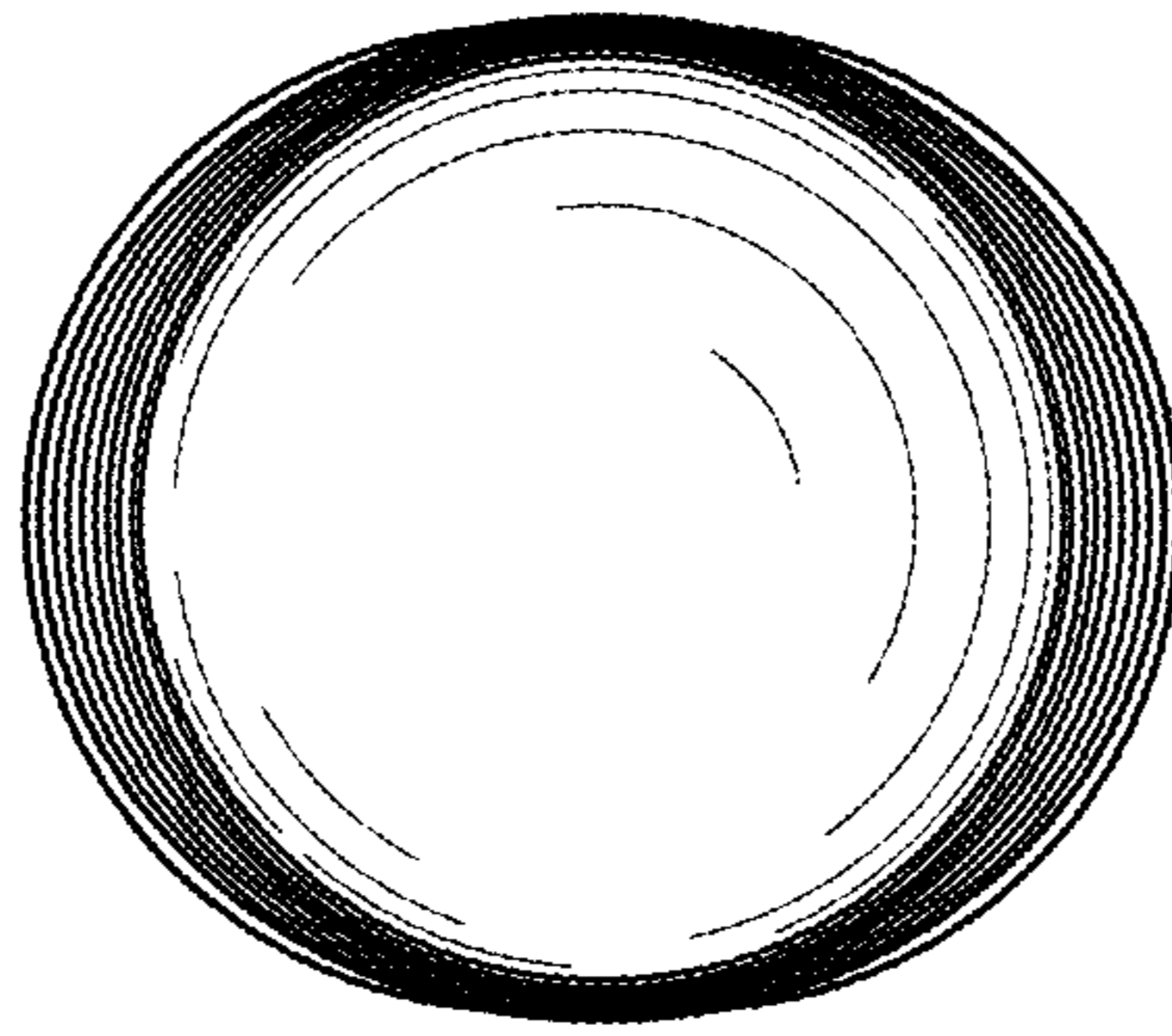


FIG. 19

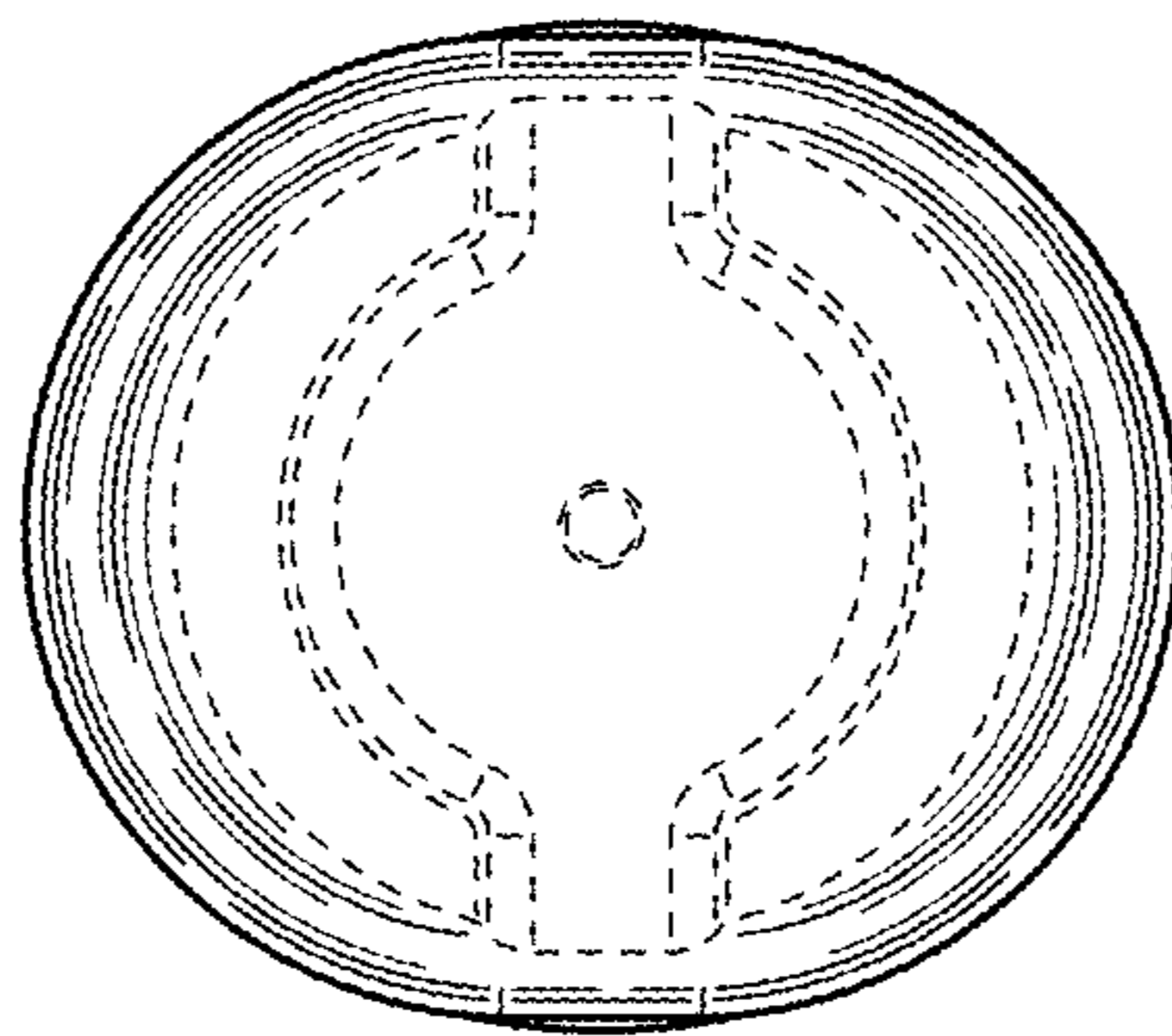


FIG. 18



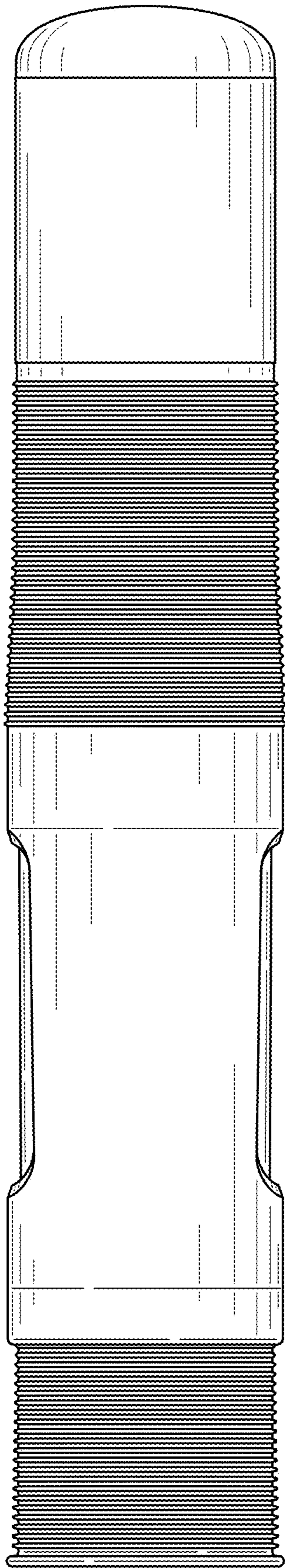


FIG. 20

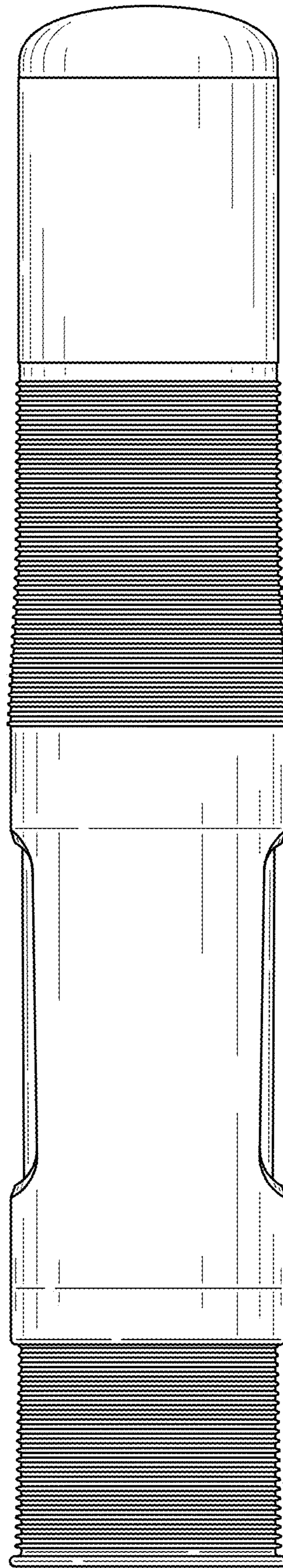


FIG. 21

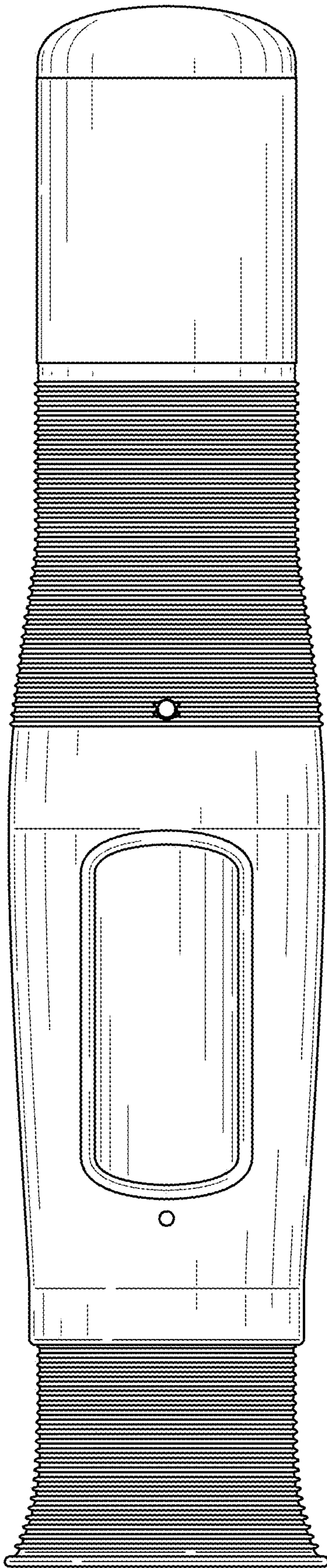


FIG. 22

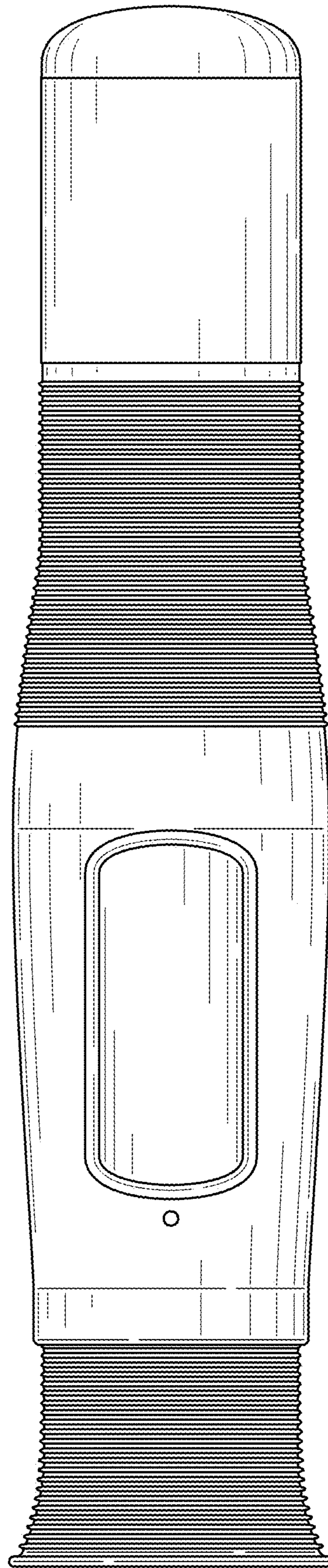


FIG. 23

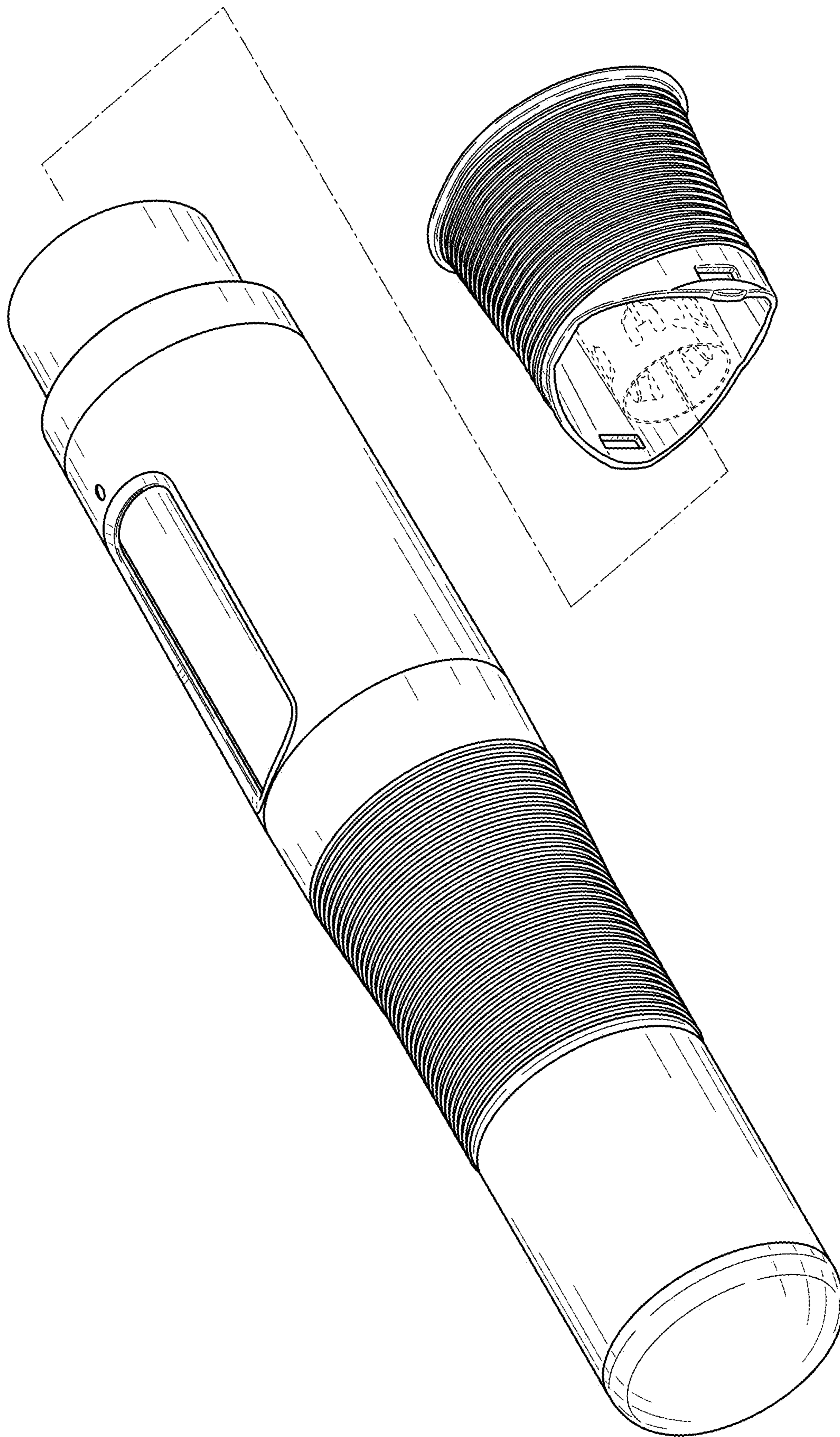


FIG. 24