



US00D985114S

(12) **United States Design Patent**  
**Thompson et al.**

(10) **Patent No.:** **US D985,114 S**

(45) **Date of Patent:** **\*\* May 2, 2023**

(54) **INHALER**

(71) Applicant: **FEATHER COMPANY LTD.,**  
Sudbury (CA)

(72) Inventors: **Mitch Thompson**, Sudbury (CA);  
**Patrick Lehoux**, Sudbury (CA);  
**Dominic Coballe**, Ottawa (CA); **Jason**  
**Rainville**, Chelmsford (CA)

(73) Assignee: **FEATHER COMPANY LTD.,**  
Sudbury (CA)

(\*\*) Term: **15 Years**

(21) Appl. No.: **35/511,486**

(22) Filed: **Aug. 27, 2020**

(80) **Hague Agreement Data**

Int. Filing Date: **Aug. 27, 2020**  
Int. Reg. No.: **DM/210226**  
Int. Reg. Date: **Aug. 27, 2020**  
Int. Reg. Pub. Date: **Mar. 5, 2021**

(30) **Foreign Application Priority Data**

Feb. 27, 2020 (CA) ..... CA 193488

(51) **LOC (14) Cl.** ..... **29-02**

(52) **U.S. Cl.**  
USPC ..... **D24/110**

(58) **Field of Classification Search**  
USPC ..... D24/110, 110.4, 110.5, 110.6;  
D27/162-164, 167, 169  
CPC ..... A61M 11/00  
See application file for complete search history.

(56) **References Cited**

**U.S. PATENT DOCUMENTS**

631,621 A \* 8/1899 Curran ..... 128/203.23  
D214,972 S \* 8/1969 Katerndahl ..... A61M 15/009  
D24/110

D266,695 S \* 10/1982 Trammll ..... A61M 15/025  
D21/411  
D342,993 S \* 1/1994 Fathi ..... D24/110  
D471,273 S \* 3/2003 Albulet ..... D24/110  
D479,745 S \* 9/2003 Albulet ..... D24/110  
D509,296 S \* 9/2005 Minshull ..... D24/110

(Continued)

**OTHER PUBLICATIONS**

Walmart. Vicks Vapoinhaler Portable Non-Medicated Nasal Inhaler, Menthol, 1 Ct. No date specified. <https://www.walmart.com/ip/Vicks-Vapoinhaler-Portable-Non-Medicated-Nasal-Inhaler-Menthol-1-Ct/131912824> (Year: 0).\*

(Continued)

*Primary Examiner* — Darcey E Gottschalk

(74) *Attorney, Agent, or Firm* — The Webb Law Firm

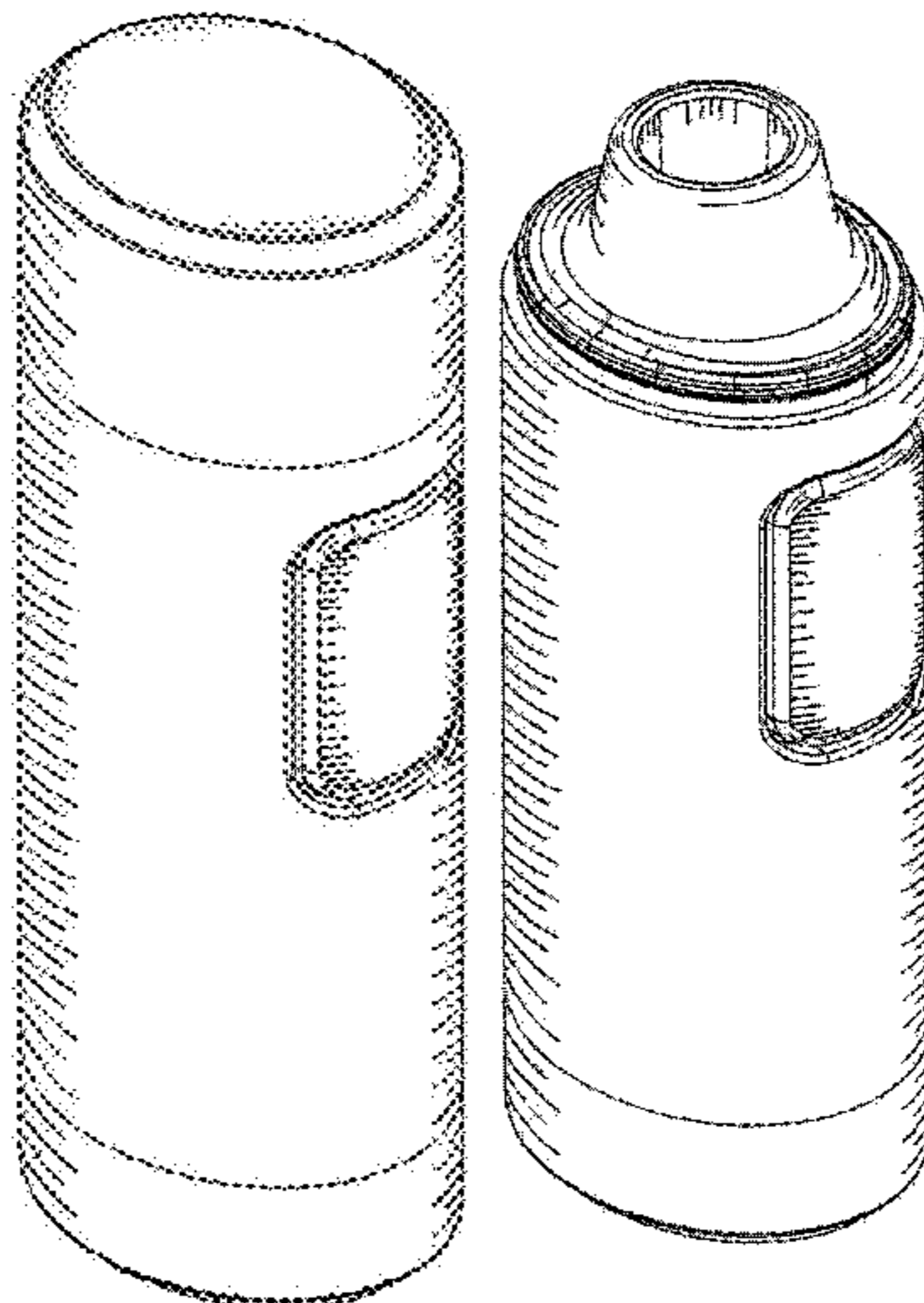
(57) **CLAIM**

The ornamental design for an inhaler, as shown and described.

**DESCRIPTION**

Figure 1.1 is a front perspective view of the inhaler;  
Figure 1.2 is a front view of the inhaler, and back view being identical;  
Figure 1.3 is a first side view of the inhaler, and the second side view being identical;  
Figure 1.4 is a perspective view of the inhaler with the cap removed;  
Figure 1.5 is a front view of the inhaler with the cap removed;  
Figure 1.6 is a side view of the inhaler with the cap removed;  
Figure 1.7 is a top view of the inhaler with the cap removed; and  
Figure 1.8 is a bottom view of the inhaler.  
The design is the visual features of the inhaler, shown in solid lines in the figures. In the reproductions, the broken lines show portions of the inhaler that form no part of the claimed design.

**1 Claim, 8 Drawing Sheets**



(56)

**References Cited**

U.S. PATENT DOCUMENTS

D681,267	S	*	4/2013	Touzjian	.....	D27/162
D693,457	S	*	11/2013	Mayer	.....	D24/110
D720,883	S	*	1/2015	Albanese	.....	D27/101
D762,003	S	*	7/2016	Lomeli	.....	D27/163
D834,702	S	*	11/2018	Evans	.....	D27/101
D846,796	S	*	4/2019	Pan	.....	D27/101
D889,034	S	*	6/2020	Stewart	.....	D27/162
D904,678	S	*	12/2020	Wang	.....	D27/162
D910,233	S	*	2/2021	Grimm	.....	D27/162
D916,274	S	*	4/2021	Aktas	.....	D24/110.5
2003/0089368	A1	*	5/2003	Zhao	.....	A61M 15/009 604/59
2003/0200964	A1	*	10/2003	Blakley	.....	A61M 15/025 128/200.23

OTHER PUBLICATIONS

News Wire. Organigram becomes exclusive Canadian supplier of Feather Company's design-patented vaporizer hardware and technology. Jun. 18, 2019. <https://bit.ly/3u9gKJ8> (Year: 2019).\*

E Cigarette Reviewed. Best Vape Pens for E-Liquid. Mar. 2, 2022. <https://ecigaretterevuewed.com/best-e-liquid-vape-pens/> (Year: 2022).\*

\* cited by examiner

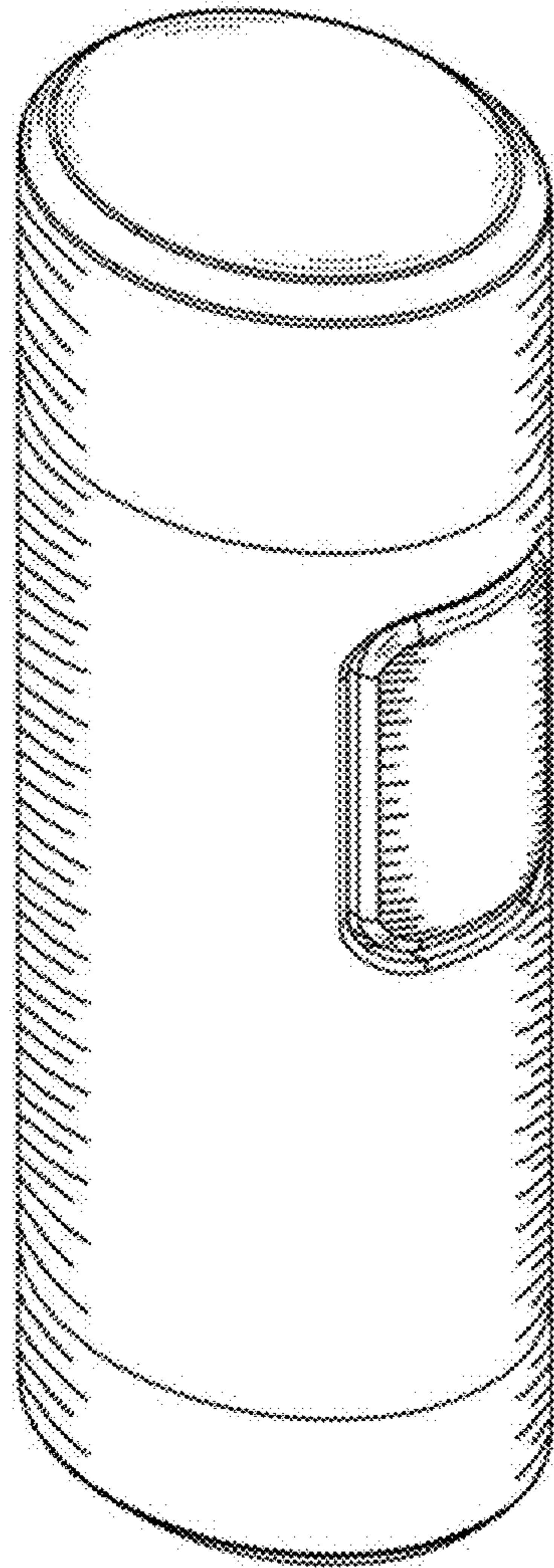


FIG. 1.1

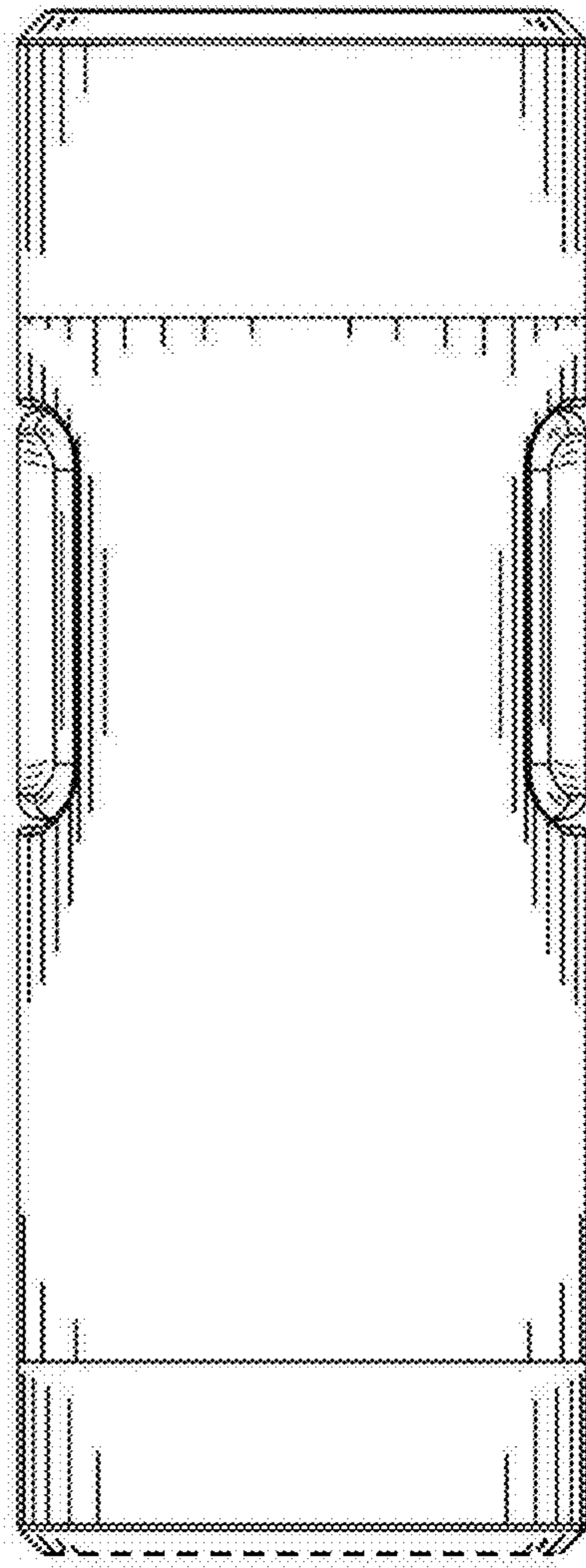


FIG. 1.2

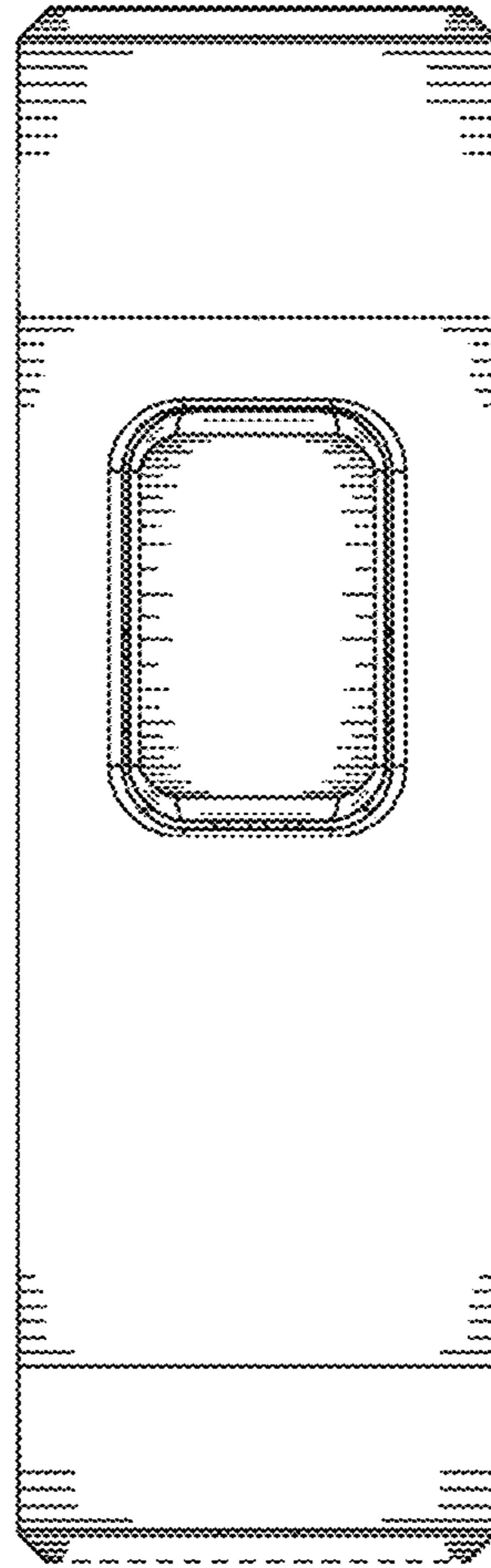


FIG. 1.3



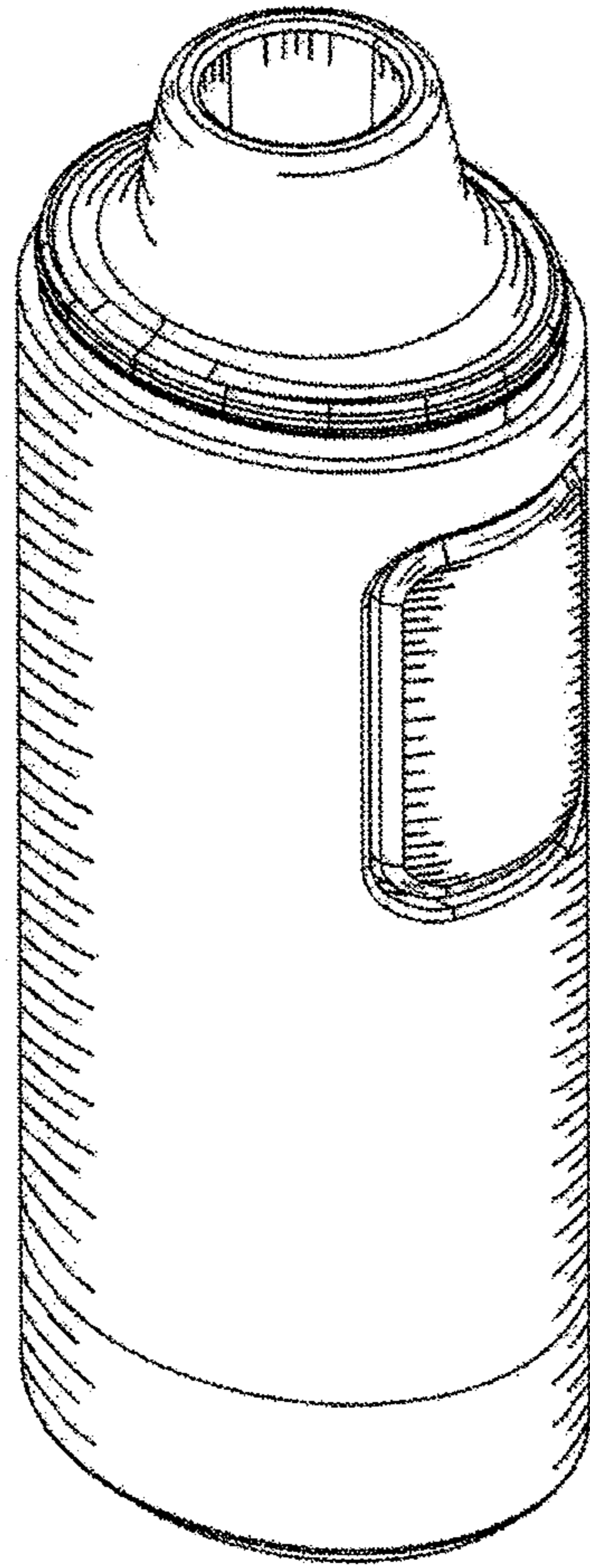


FIG. 1.4

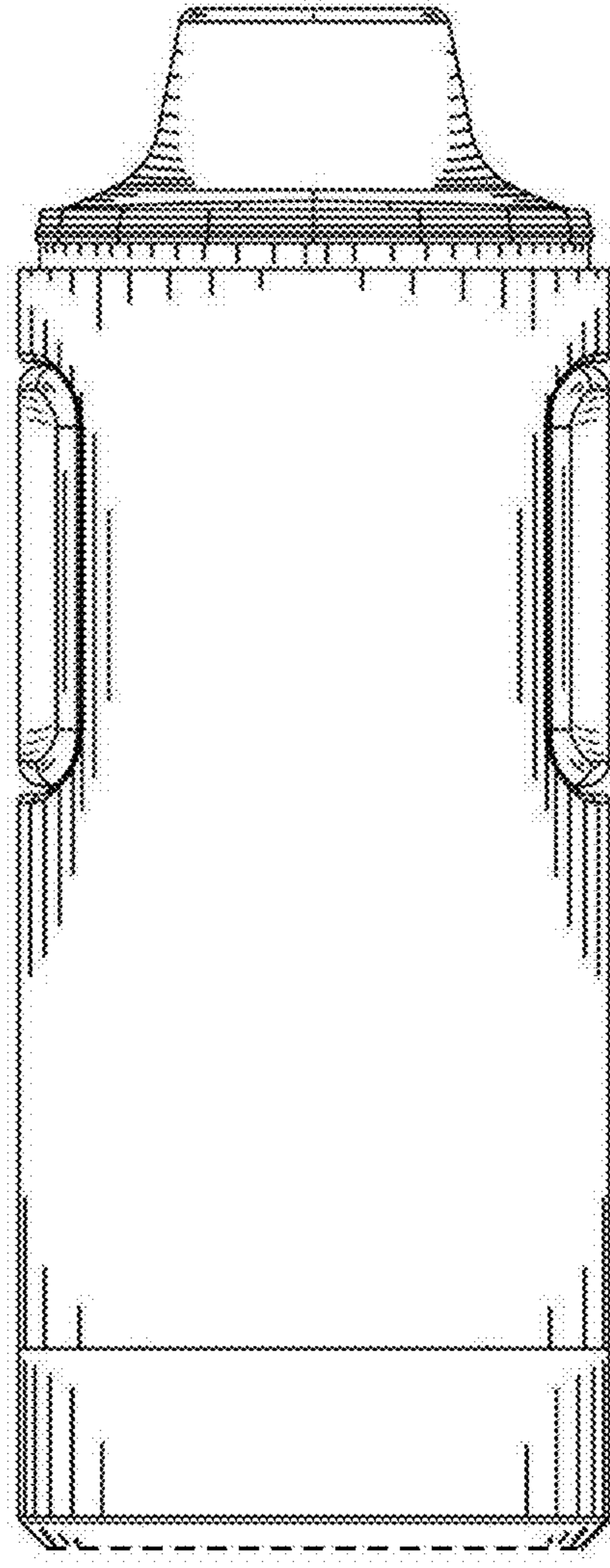


FIG. 1.5

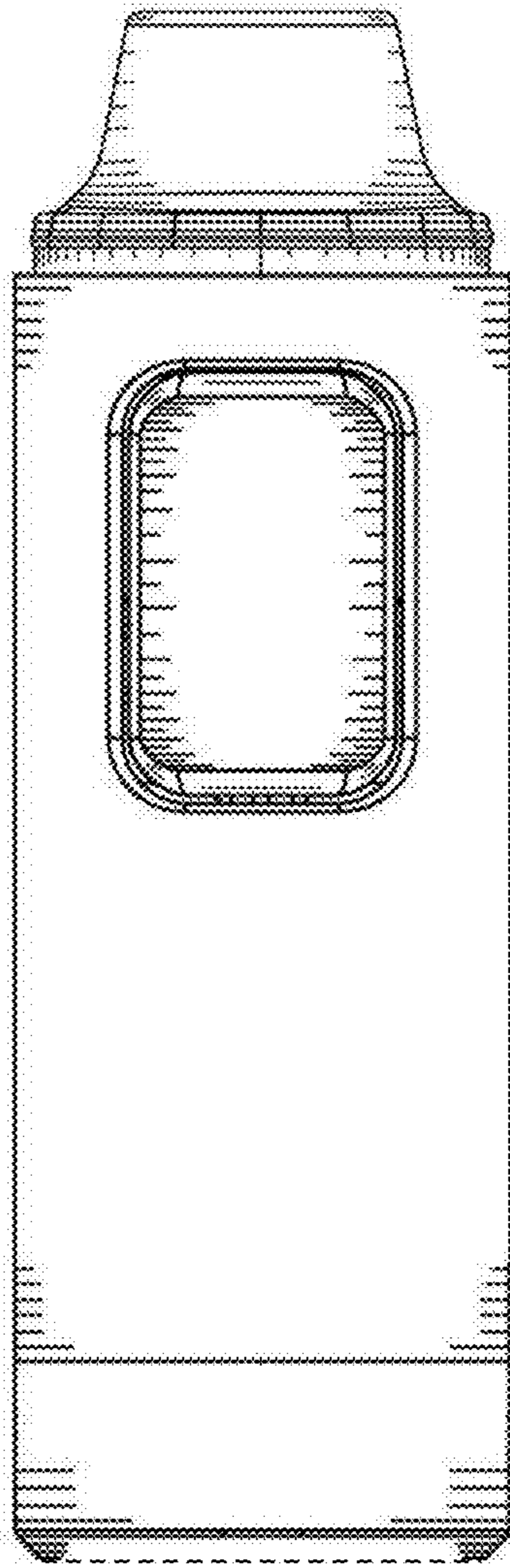
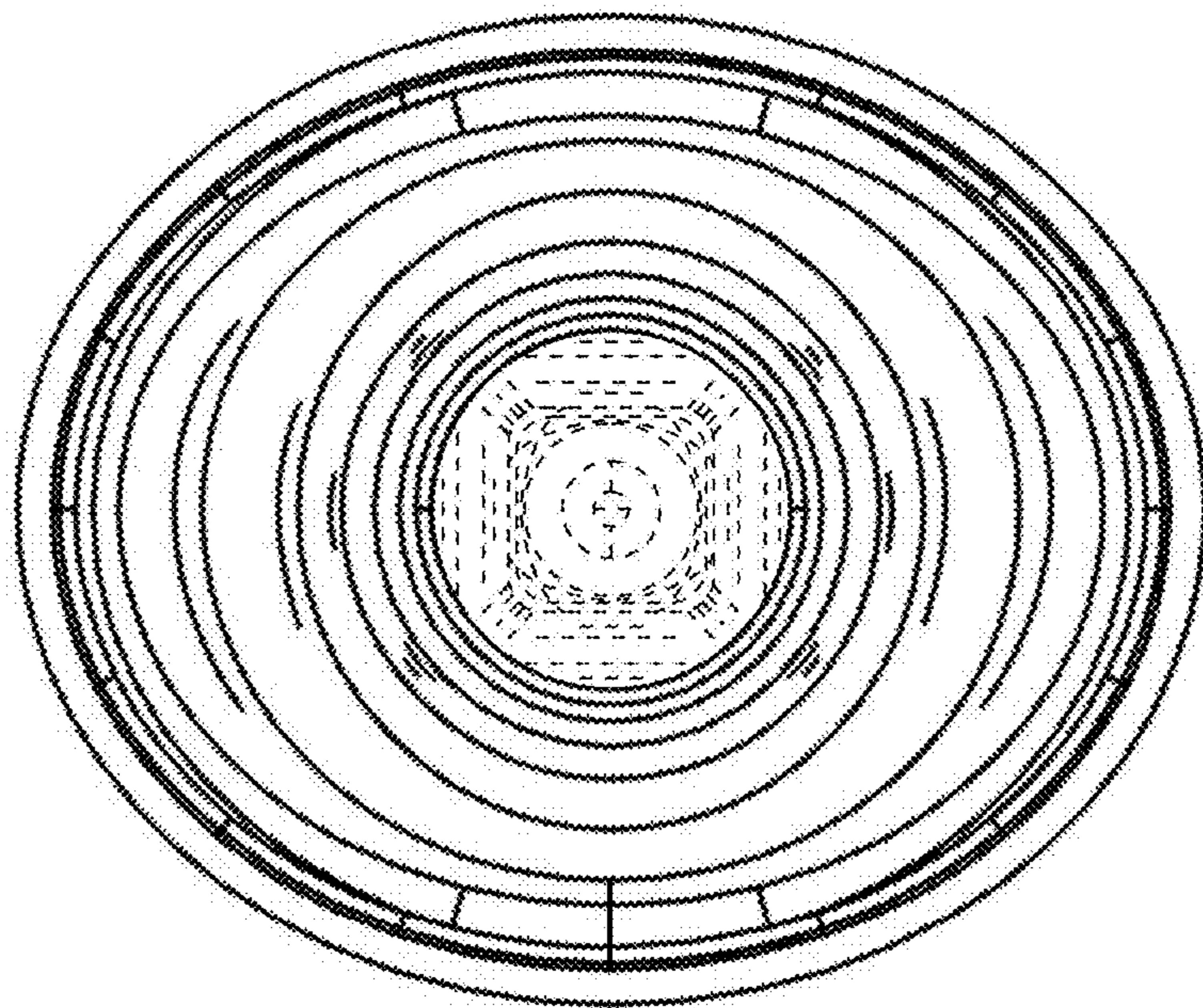


FIG. 1.6





**FIG. 1.7**

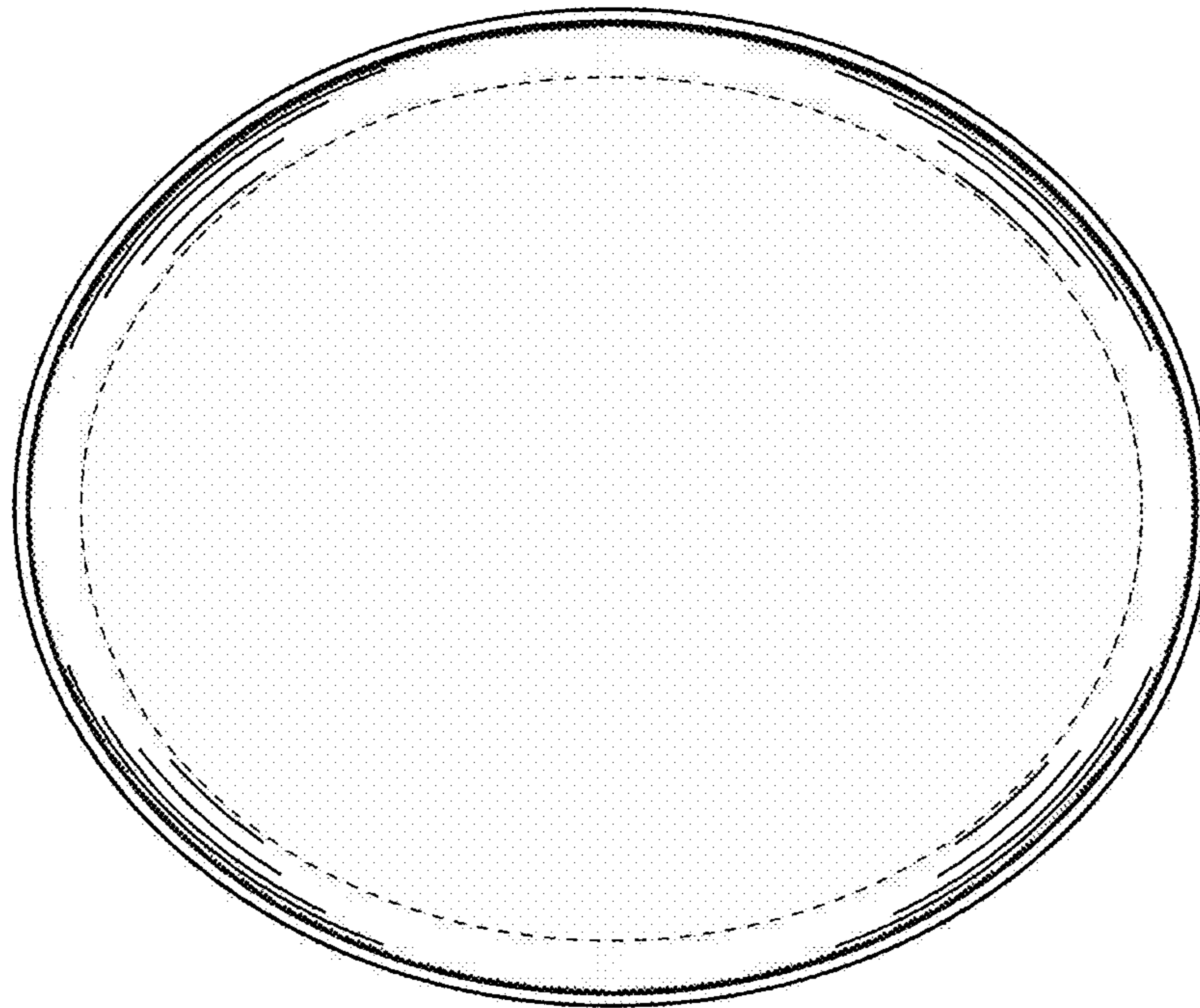


FIG. 1.8