



US00D985111S

(12) **United States Design Patent** (10) **Patent No.:** **US D985,111 S**  
**Chen et al.** (45) **Date of Patent:** **\*\* May 2, 2023**

(54) **AIR PURIFIER**

D935,591 S \* 11/2021 Xu ..... D23/364  
D938,565 S \* 12/2021 Yang ..... D23/364  
D944,959 S \* 3/2022 Wang ..... D23/364

(71) Applicant: **Healthlead Corporation Limited**,  
Shenzhen (CN)

(Continued)

(72) Inventors: **Yaogang Chen**, Shenzhen (CN);  
**Zhixue Zou**, Shenzhen (CN);  
**Hongzeng Zhang**, Shenzhen (CN)

FOREIGN PATENT DOCUMENTS

CN 202130087050.9 \* 7/2021  
CN 202130368021.X \* 10/2021

(Continued)

(73) Assignee: **Healthlead Corporation Limited**,  
Shenzhen (CN)

OTHER PUBLICATIONS

(\*\*) Term: **15 Years**

Megawise True HEPA Filter. Catalogue [Online]. Amazon Standard ID# B08L8QGPB8. Amazon.com 2020. [Date First Available {Jun. 16, 2020}][Retrieved on Dec. 13, 2022]. Retrieved from the Internet: <URL:https://www.amazon.com/MEGAWISE-Compatible-Purifier-Filtration-Eliminate/dp/B08L8QGPB8> (Year: 2020).\*

(Continued)

(21) Appl. No.: **29/794,474**

(22) Filed: **Jun. 12, 2021**

(30) **Foreign Application Priority Data**

Feb. 2, 2021 (CN) ..... 202130076547.0

(51) **LOC (14) Cl.** ..... **23-04**

(52) **U.S. Cl.**  
USPC ..... **D23/364**

(58) **Field of Classification Search**  
USPC ..... D23/314, 332, 333, 335, 336, 355, 356,  
D23/364, 365, 366, 378  
CPC .... F24F 1/0022; F24F 3/14; F24F 6/06; F24F  
8/80; B01D 46/00281; B01D 46/0043;  
A61L 2209/12; A61L 2209/14  
See application file for complete search history.

*Primary Examiner* — Janice Hallmark  
*Assistant Examiner* — Adedoyin Taiwo Odeyale  
(74) *Attorney, Agent, or Firm* — Westbridge IP LLC

(57) **CLAIM**

The ornamental design for an air purifier, as shown and described.

**DESCRIPTION**

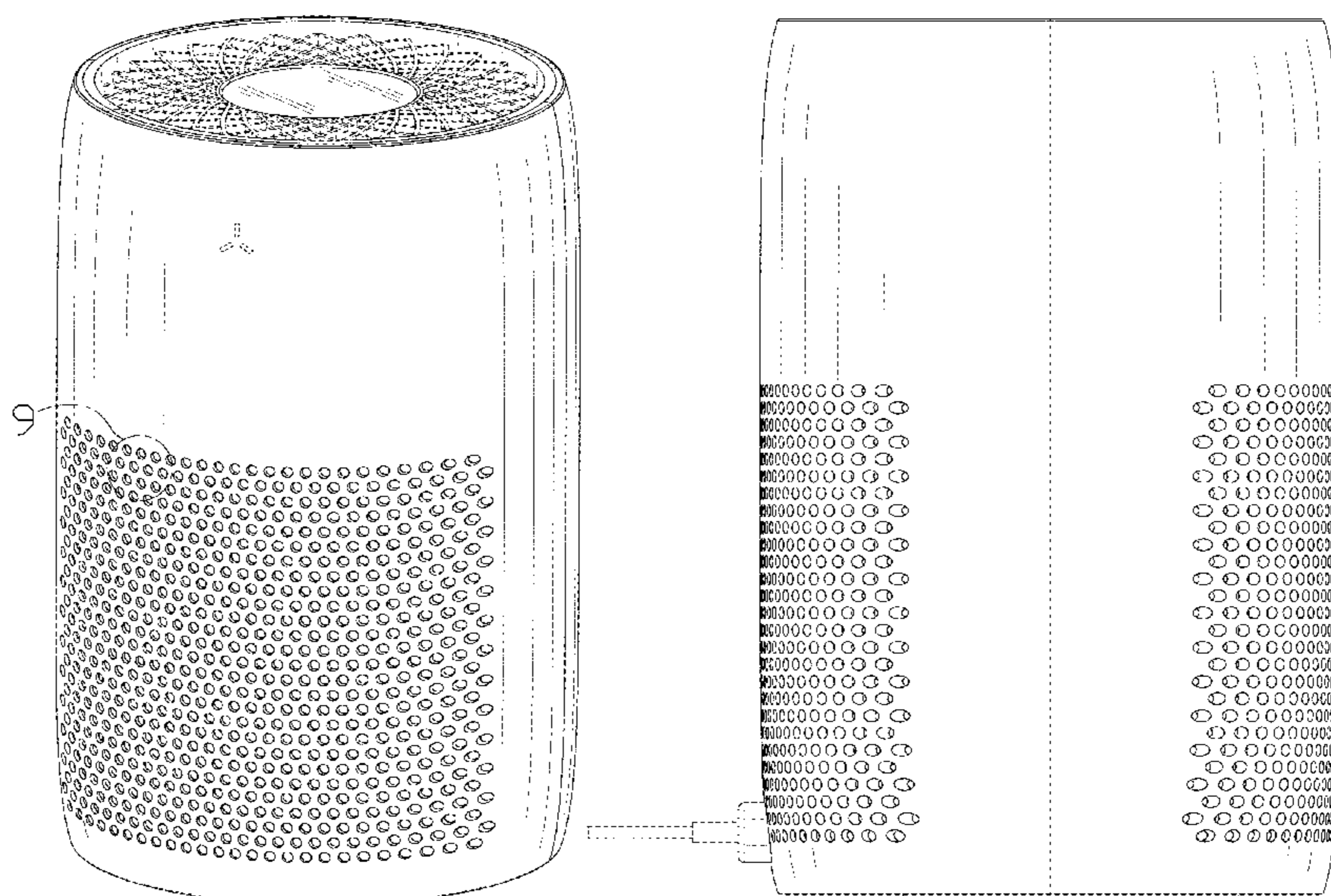
FIG. 1 is a front perspective view of an air purifier showing our new design;  
FIG. 2 is a rear perspective view thereof;  
FIG. 3 is a front elevation view thereof;  
FIG. 4 is a rear elevation view thereof;  
FIG. 5 is a left side elevation view thereof;  
FIG. 6 is a right side elevation view thereof;  
FIG. 7 is a top plan view thereof;  
FIG. 8 is a bottom plan view thereof; and,  
FIG. 9 is an enlarged view of portion 9 in FIG. 1.  
The evenly broken lines in the drawings illustrate portions of the air purifier that form no part of the claim.

(56) **References Cited**

U.S. PATENT DOCUMENTS

D882,056 S \* 4/2020 Baillie ..... D23/364  
D886,975 S \* 6/2020 Yang ..... D23/364  
D888,923 S \* 6/2020 Zhong ..... D23/364  
D905,220 S \* 12/2020 Farone ..... D23/364  
D906,501 S \* 12/2020 Lim ..... D23/364  
D912,795 S \* 3/2021 Wang ..... D23/364  
D935,590 S \* 11/2021 Xu ..... D23/364

**1 Claim, 9 Drawing Sheets**



(56)

**References Cited**

U.S. PATENT DOCUMENTS

D948,016 S \* 4/2022 Yoon ..... D23/364  
D950,034 S \* 4/2022 Peng ..... D23/364  
D966,482 S \* 10/2022 Shan ..... D23/364  
2018/0256770 A1 \* 9/2018 Jang ..... A61L 9/12

FOREIGN PATENT DOCUMENTS

CN 202230032403.X \* 2/2022  
KR 3020210051455 \* 9/2022

OTHER PUBLICATIONS

Mooka EPI135 Air Purifier. Amazon Standard ID# B09MLGQ2NR. Catalogue [Online]. Amazon.com 2021. [Date First Available {Nov. 26, 2021}][Retrieved on Dec. 13, 2022]. Retrieved from the Internet: <URL:https://www.amazon.com/Purifier-Eliminator-Allergies-Wildfire-Ozone-Free/dp/B09MLGQ2NR> (Year: 2021).\*

Toppin TPAP002 Air Purifier. Amazon Standard ID# B08JM7M8W9. Catalogue [Online]. Amazon.com 2020. [Date First Available {Apr. 17, 2021}][Retrieved on Dec. 13, 2022]. Retrieved from the Internet: <URL:https://www.amazon.com/TOPPIN-Purifiers-Bedroom-Airborne-Contaminants/dp/B08JM7M8W9 > (Year: 2020).\*

\* cited by examiner



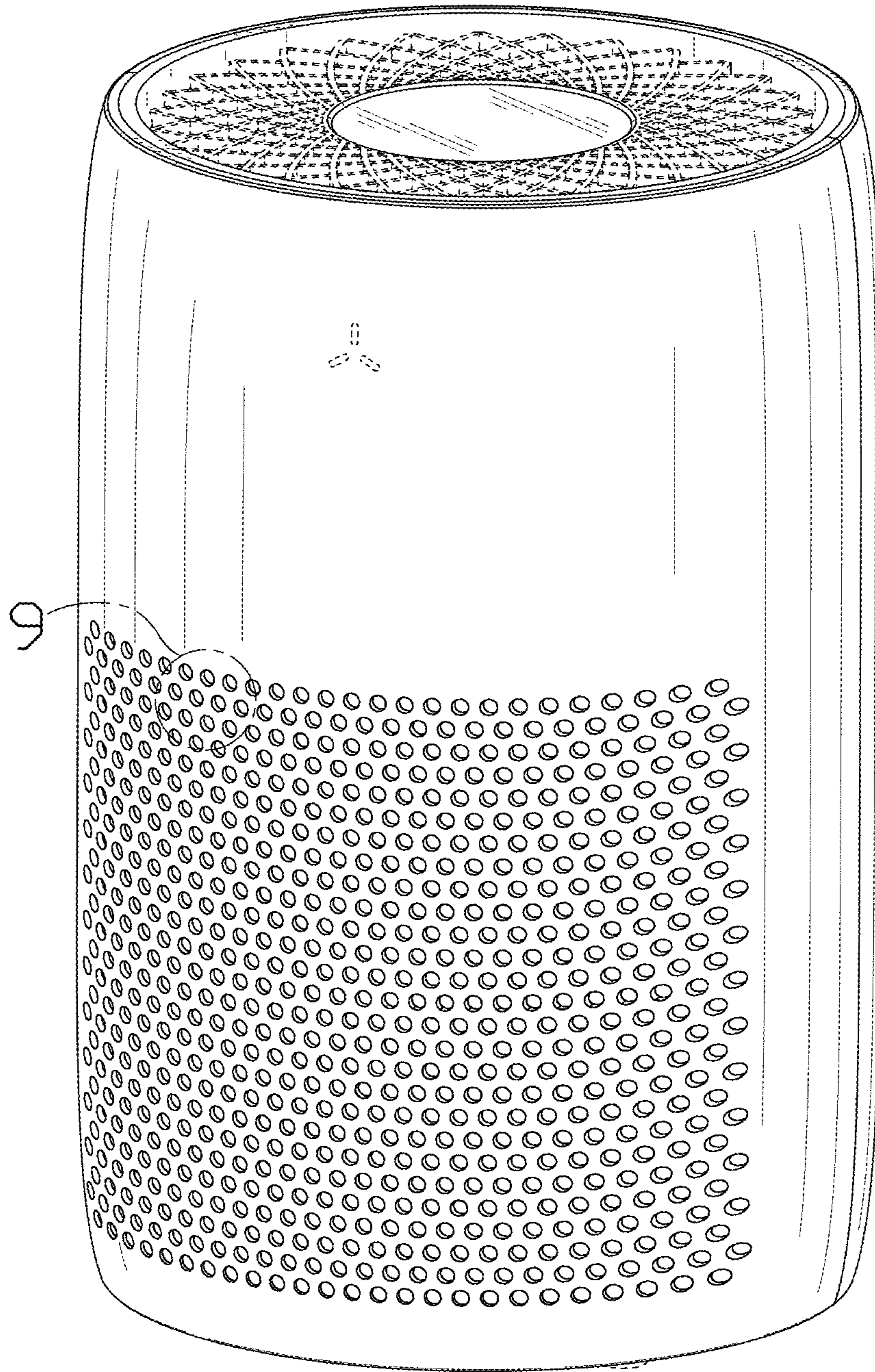


FIG. 1

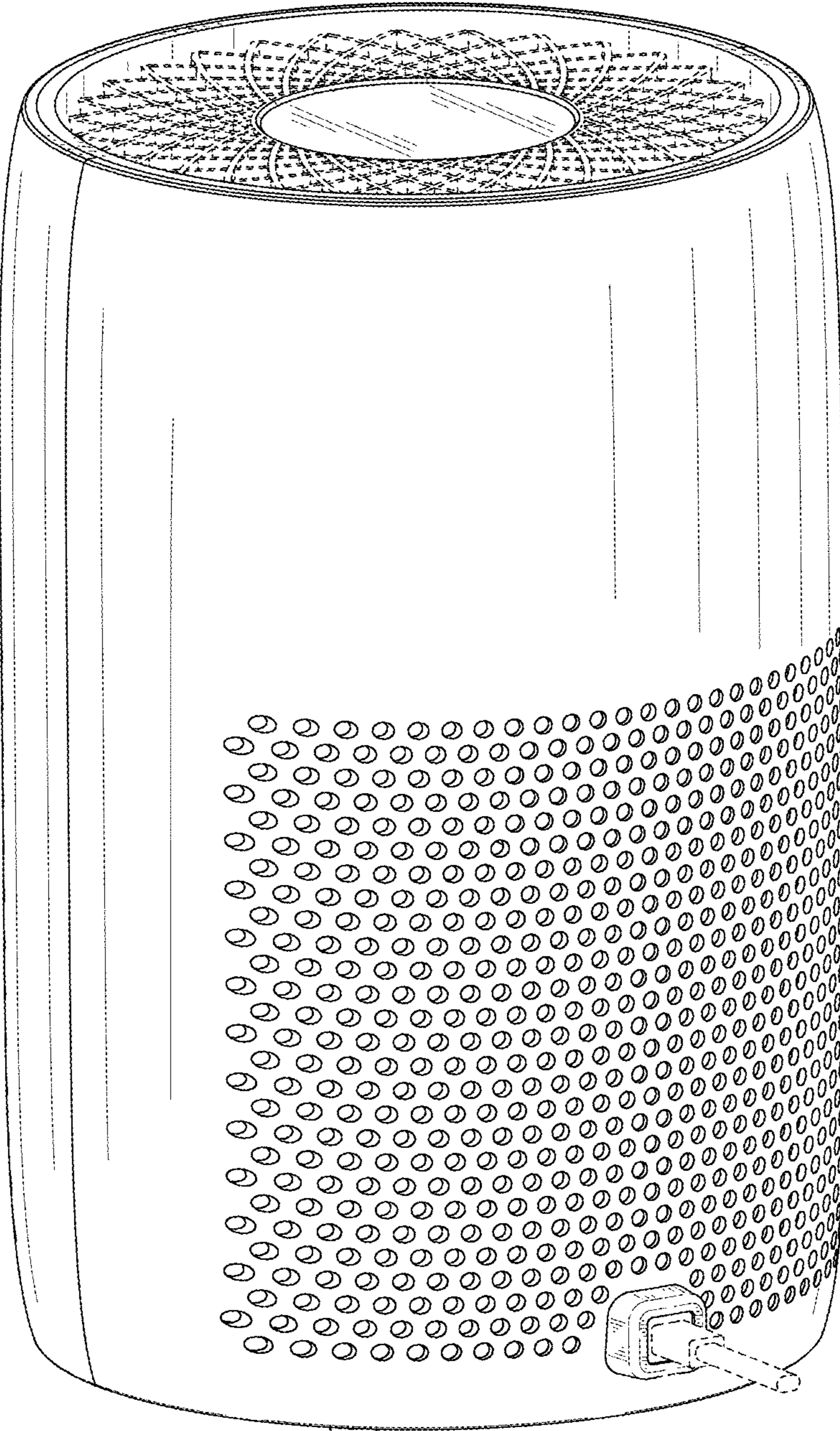


FIG. 2



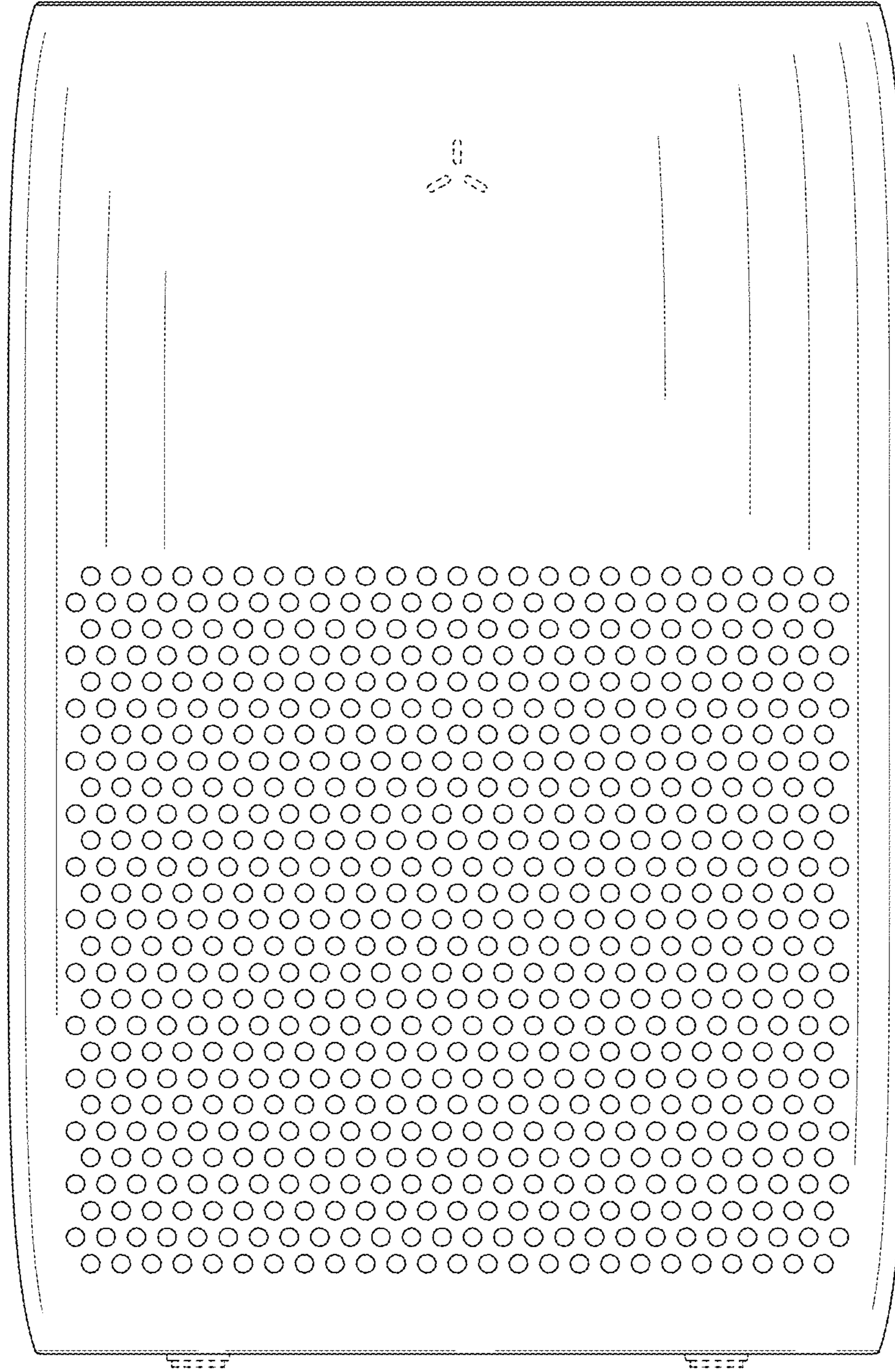


FIG. 3

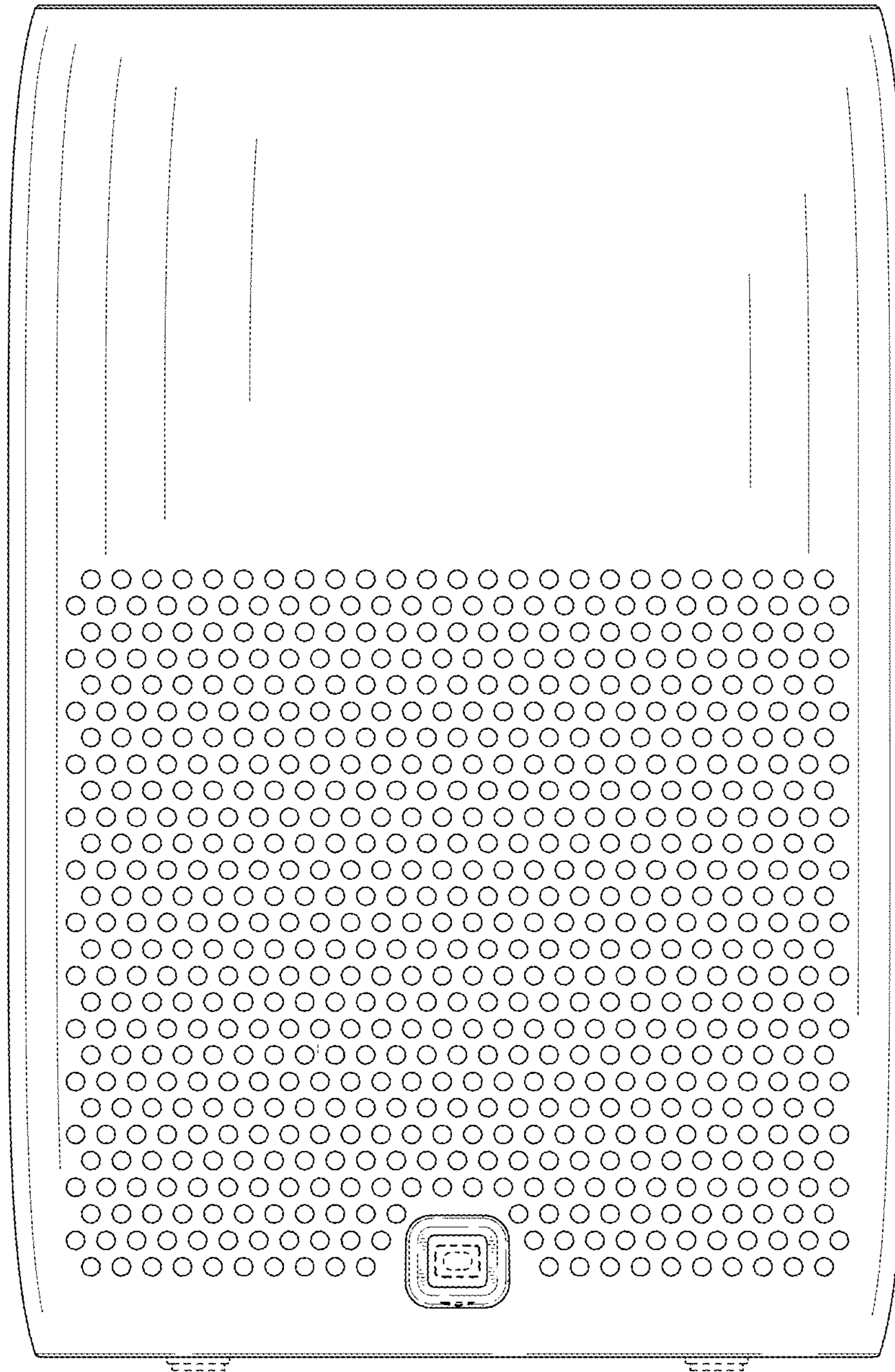


FIG. 4

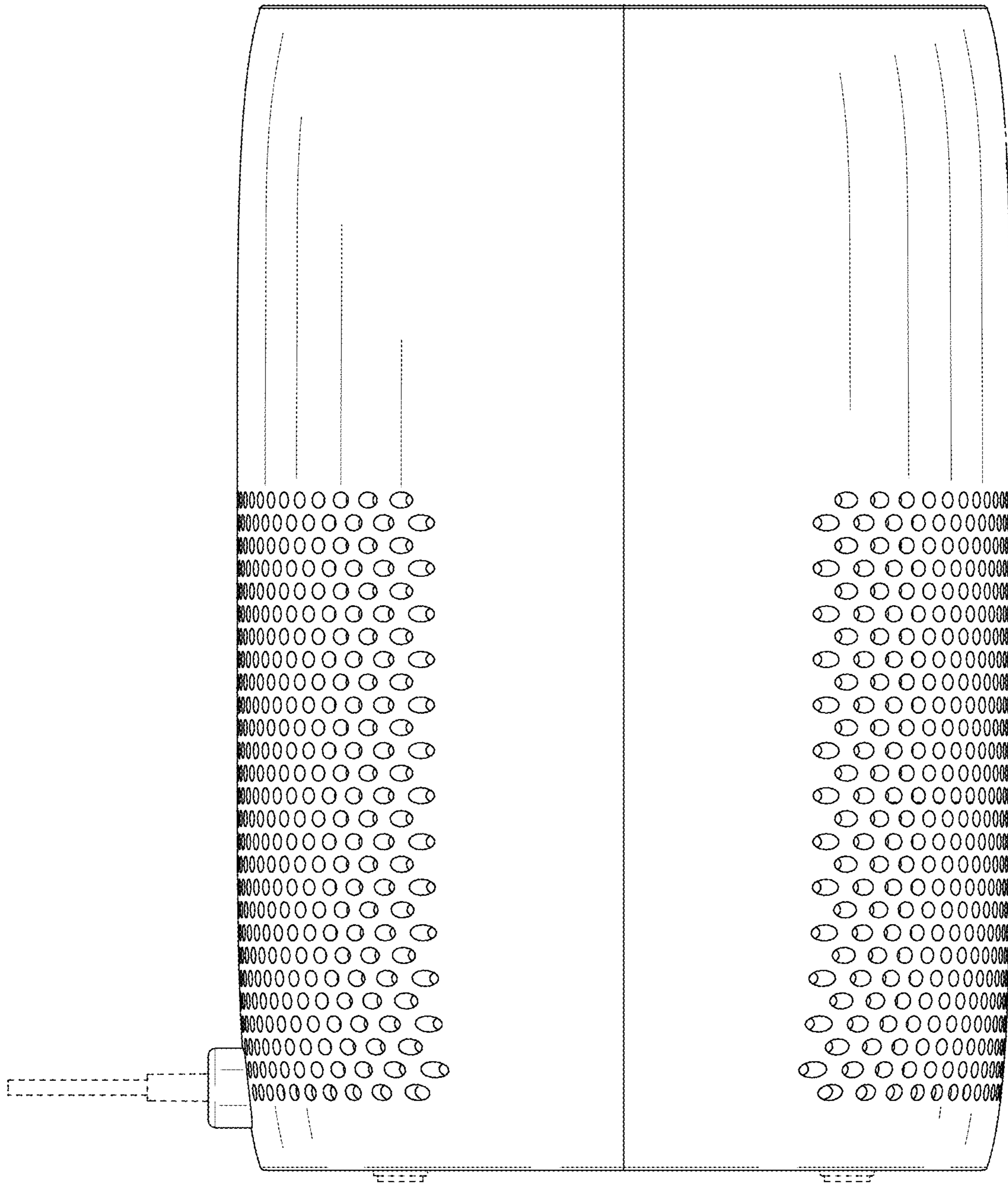


FIG. 5



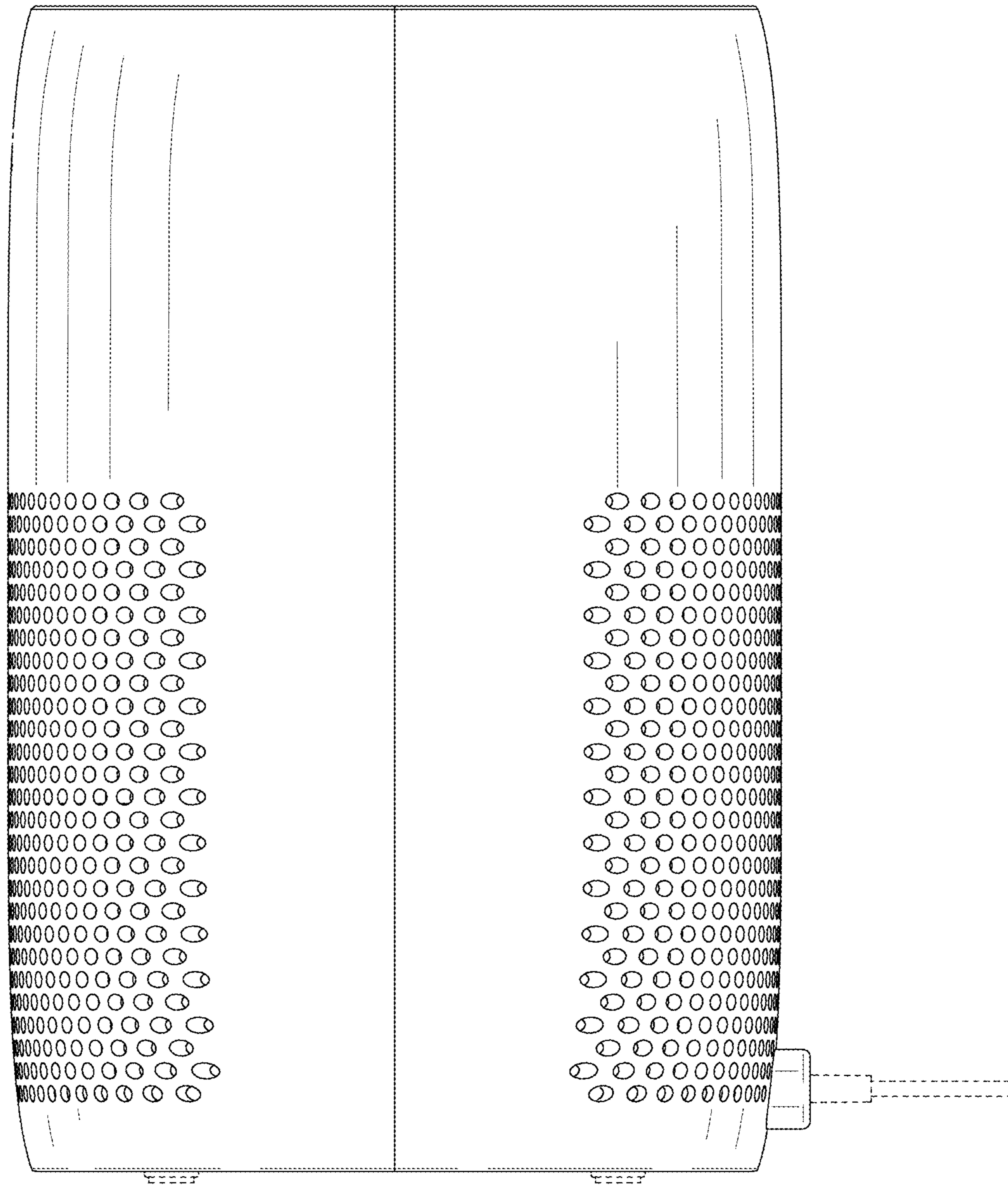


FIG. 6



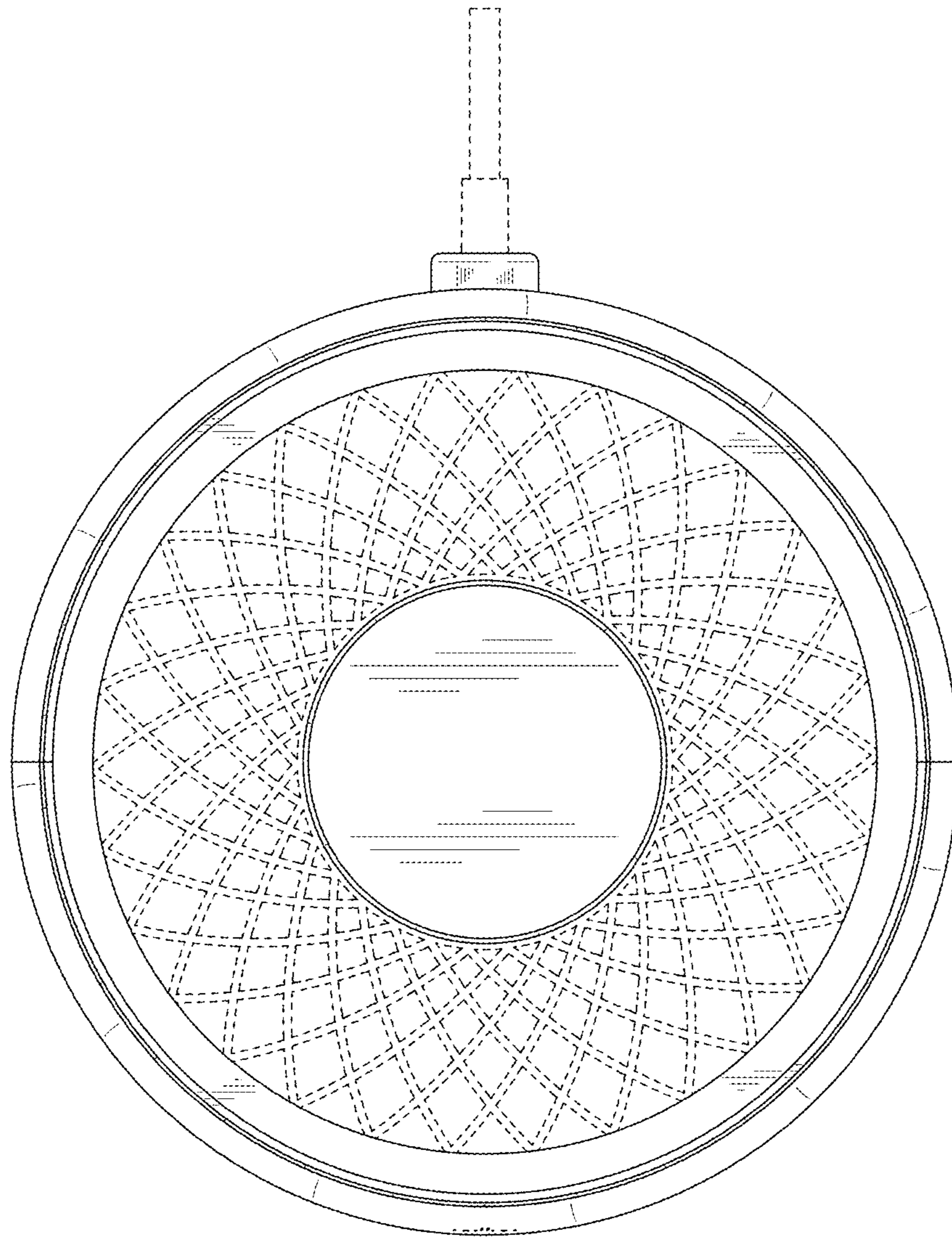


FIG. 7

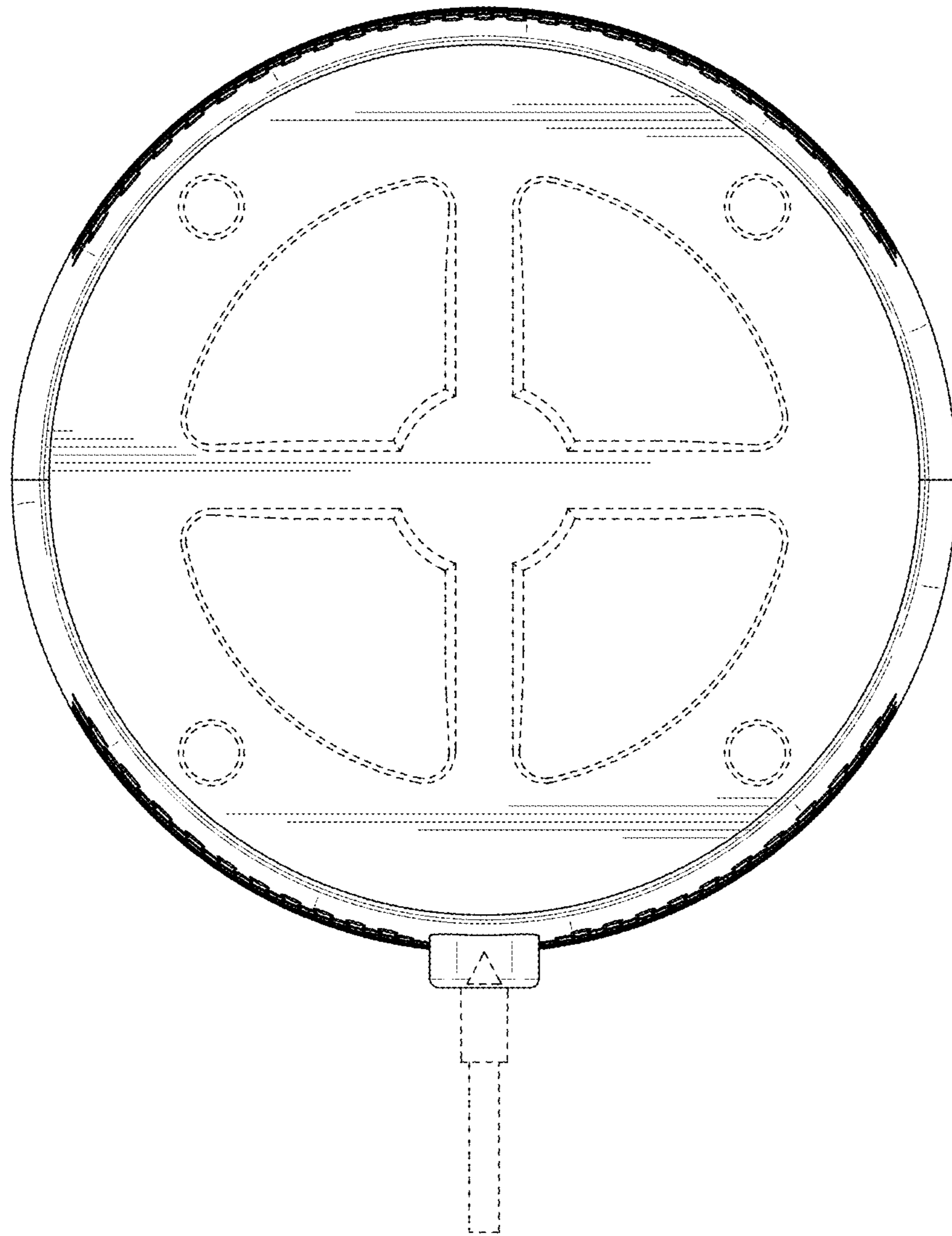


FIG. 8

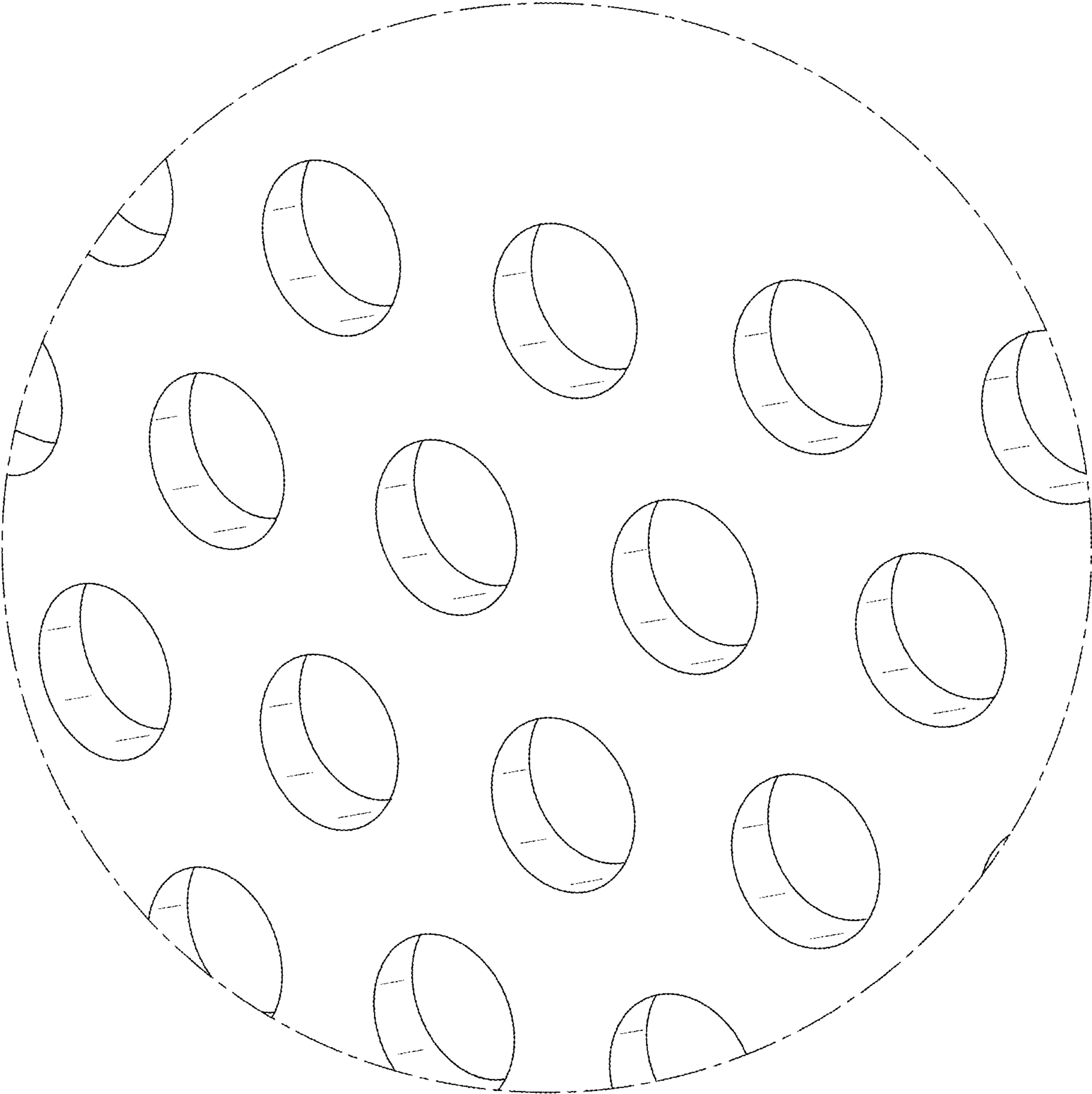


FIG. 9