



US00D985110S

(12) **United States Design Patent** (10) **Patent No.:** **US D985,110 S**
Recer et al. (45) **Date of Patent:** **** May 2, 2023**

(54) **DEVICE FOR FRESHENING INTERIOR AIR**

D935,589 S * 11/2021 Lu F24F 1/02
D23/364

(71) Applicant: **DBG Group Investments, LLC,**
Dallas, TX (US)

D948,008 S * 4/2022 O'Brien D23/325
D952,826 S * 5/2022 Zhan D23/364
D953,503 S * 5/2022 Zheng D23/359

(72) Inventors: **Chad Recer,** Frisco, TX (US);
Deborah Jessup, Pittsburgh, PA (US);
Joe Urso, Dallas, TX (US); **Andrew**
Eide, Rockwall, TX (US)

2020/0149755 A1* 5/2020 Yan F24F 1/02
2020/0182494 A1* 6/2020 Fitsch B01D 33/073

(**) Term: **15 Years**

OTHER PUBLICATIONS

(21) Appl. No.: **29/721,805**

Chinese Design Application No. 2019300144232 filed Jan. 11,
2019; Patentee Guangdong Haikebao Environmental Technology
Co., Ltd.

(22) Filed: **Jan. 23, 2020**

Office Action received for Mexican Patent Application No. MX/f/
2020/001663, dated Oct. 27, 2021, 14 pages.

(51) **LOC (14) Cl.** **23-01**

* cited by examiner

(52) **U.S. Cl.**
USPC **D23/364**

Primary Examiner — Dana K Weiland
Assistant Examiner — Jonathan E Fiencke

(58) **Field of Classification Search**
USPC D23/200, 213, 325–326, 332, 314–324,
D23/327–331, 419, 299, 354–365
CPC A61L 9/16; A61L 9/22; B01D 46/2414;
B03C 3/155; F24F 3/16; F24F 13/222;
F24F 11/30

(74) *Attorney, Agent, or Firm* — Workman Nydegger;
Logan Christenson; John Guynn

See application file for complete search history.

(57) **CLAIM**

The ornamental design for a device for freshening interior
air, as shown and described.

(56) **References Cited**

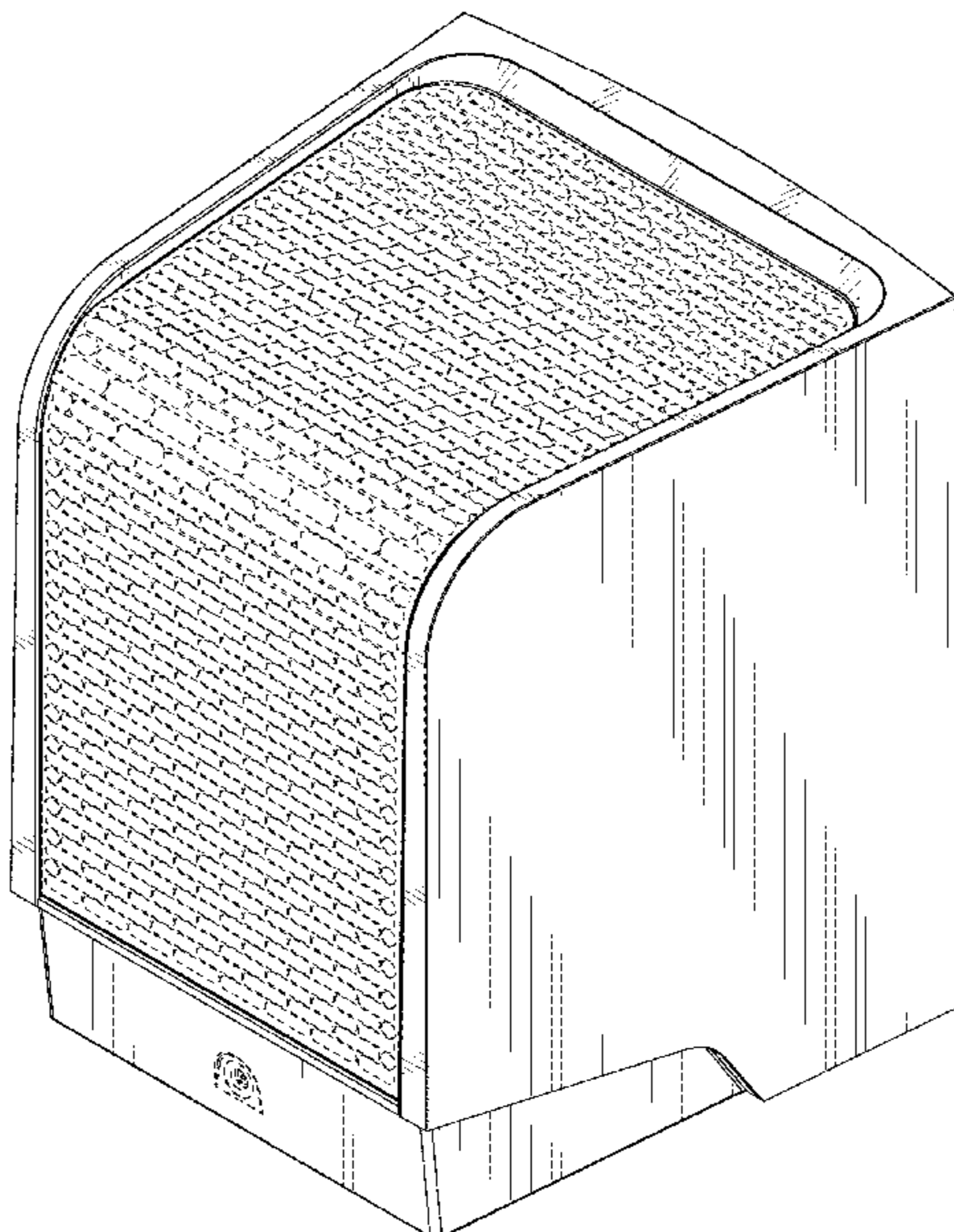
DESCRIPTION

U.S. PATENT DOCUMENTS

5,035,728	A *	7/1991	Fang	B03C 3/32
					422/120
D323,382	S *	1/1992	Wang	D23/335
D333,866	S *	3/1993	Wang	D23/335
D373,414	S *	9/1996	Bucher	D23/335
D518,160	S *	3/2006	Normark	D23/366
D526,058	S *	8/2006	Blateri	D23/335
D534,629	S *	1/2007	Bucher	D23/335
D570,464	S *	6/2008	Normark	D23/364
D601,687	S *	10/2009	Chan	D23/364
D754,628	S *	4/2016	Baird	D14/204
D862,674	S *	10/2019	Shin	D23/364
D862,675	S *	10/2019	Shin	D23/364

FIG. 1 illustrates a perspective view of an air freshening
device showing the new design;
FIG. 2 illustrates a front elevation view thereof;
FIG. 3 illustrates a rear elevation view thereof;
FIG. 4 illustrates a top plan view thereof;
FIG. 5 illustrates a bottom plan view thereof;
FIG. 6 illustrates a right side elevation view thereof; and,
FIG. 7 illustrates a left side elevation view thereof.
In the drawings, the broken lines and unshaded areas depict
portions of the device for freshening interior air that form no
part of the claimed design.

1 Claim, 7 Drawing Sheets



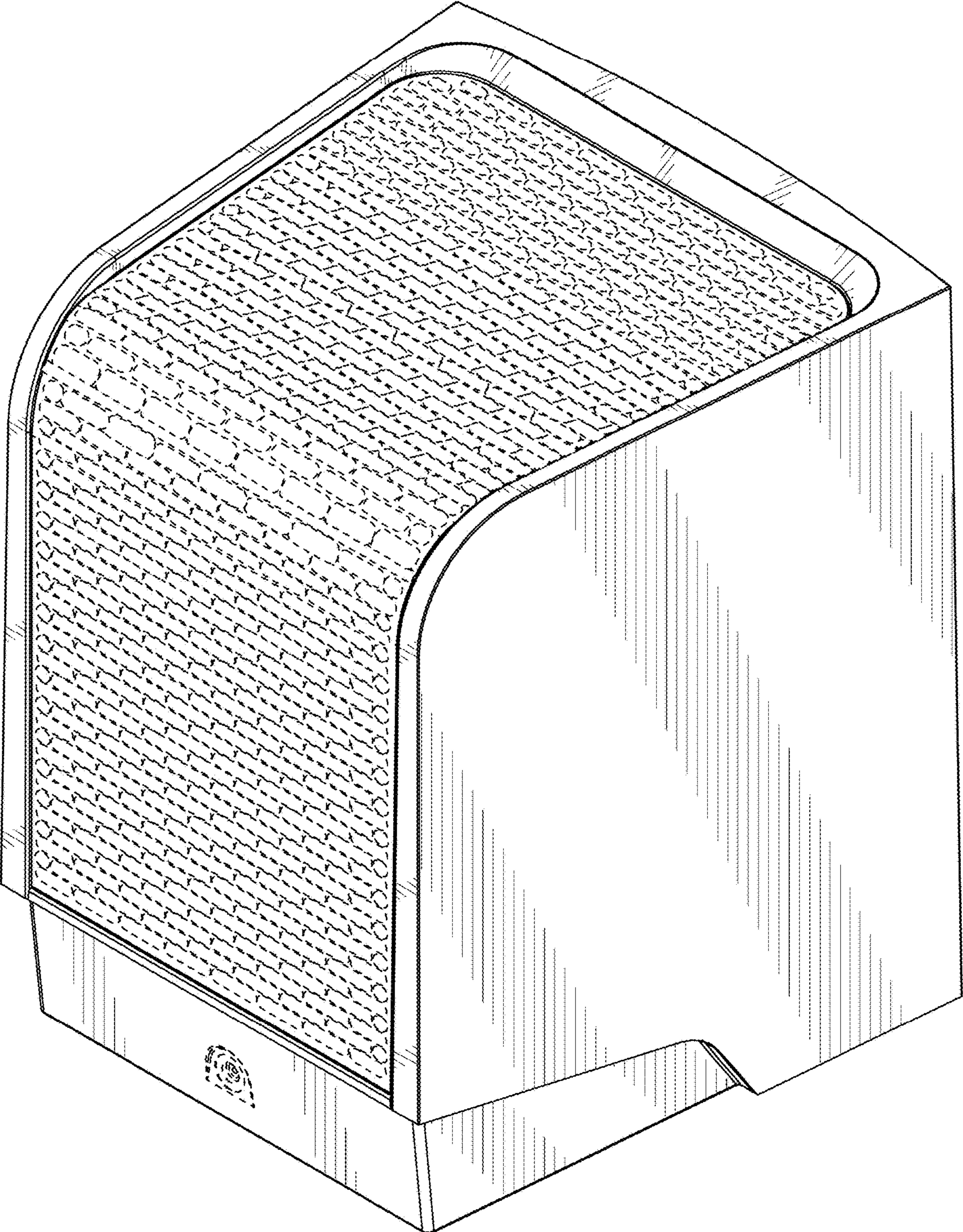


FIG. 1

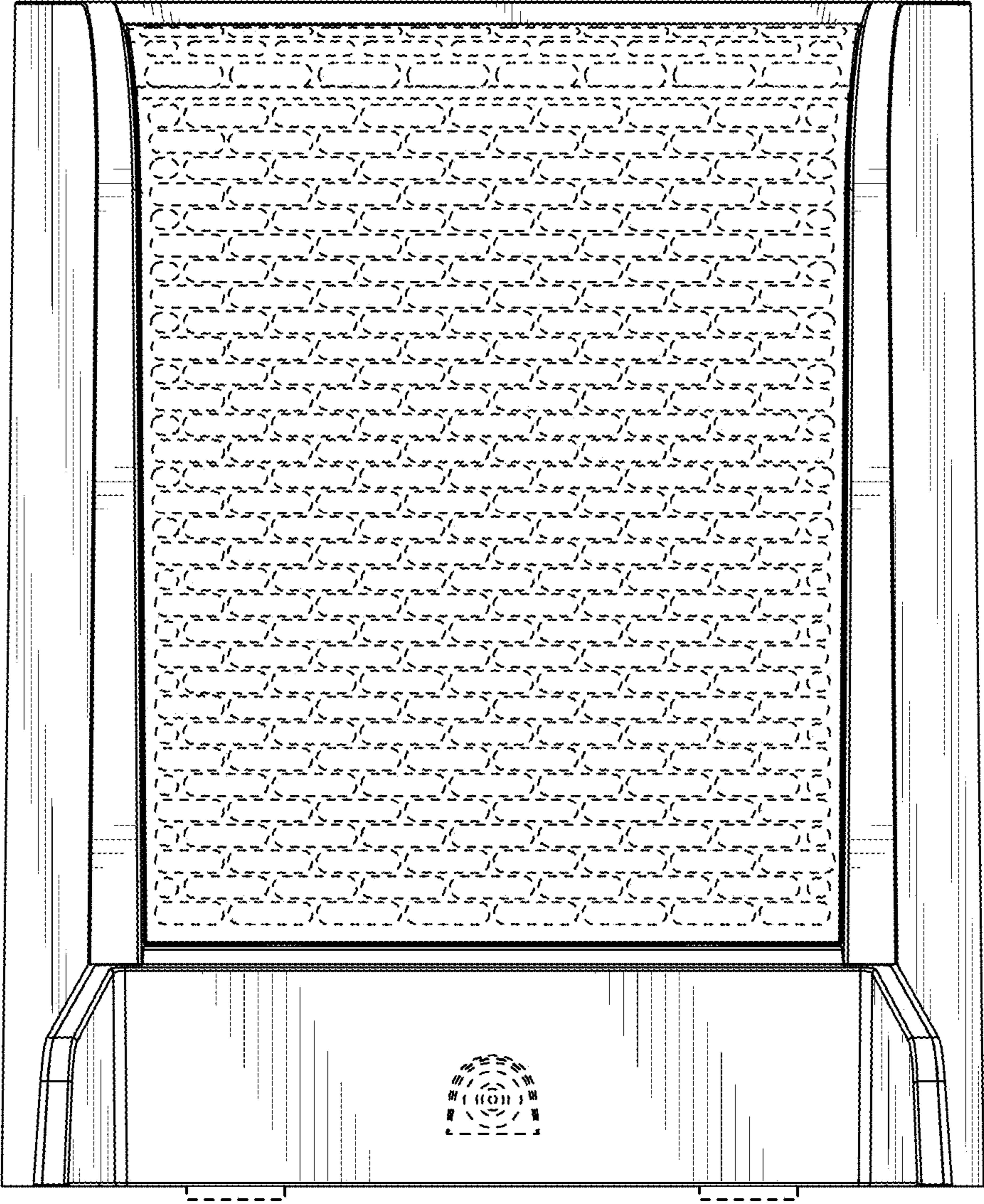


FIG. 2

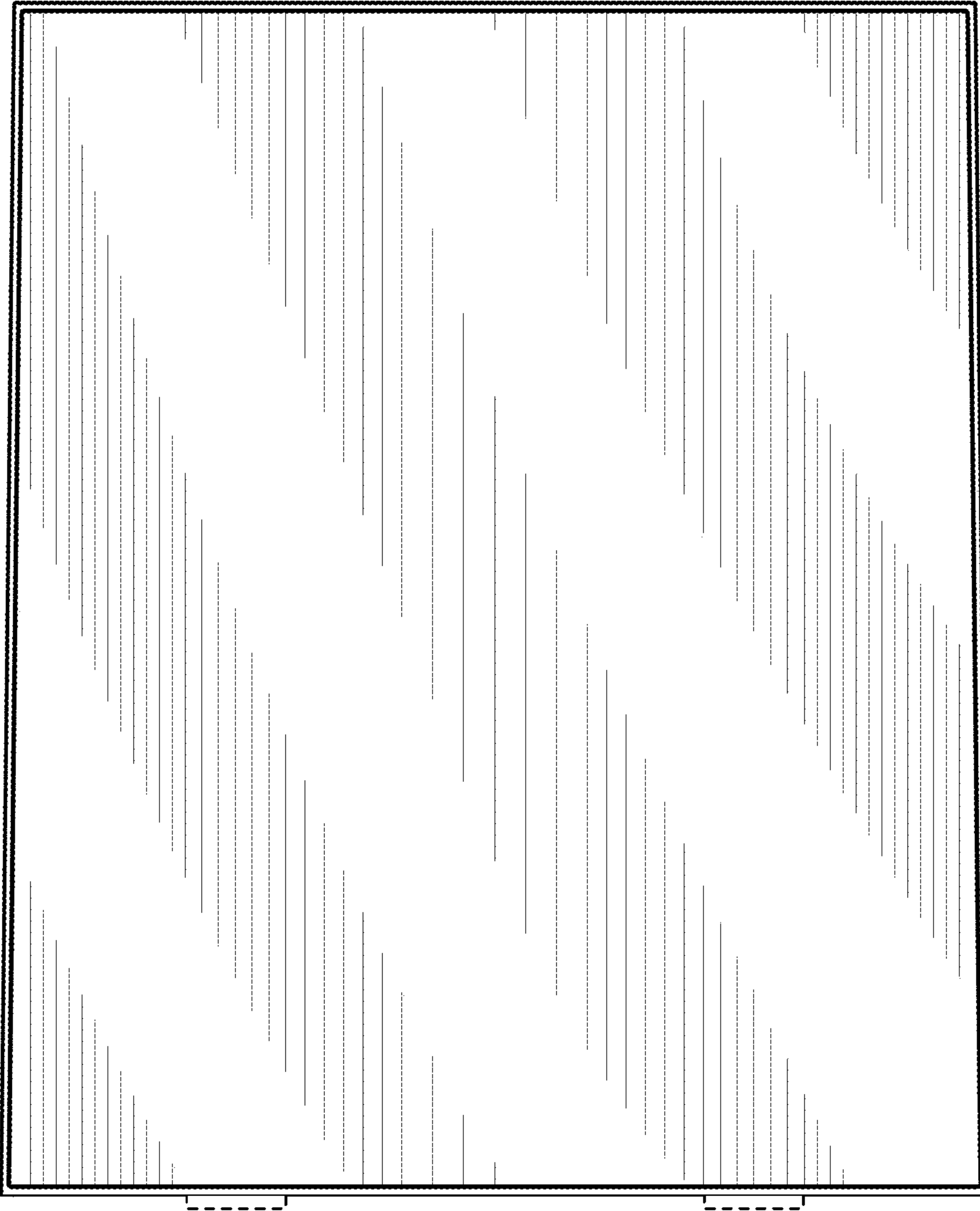


FIG. 3

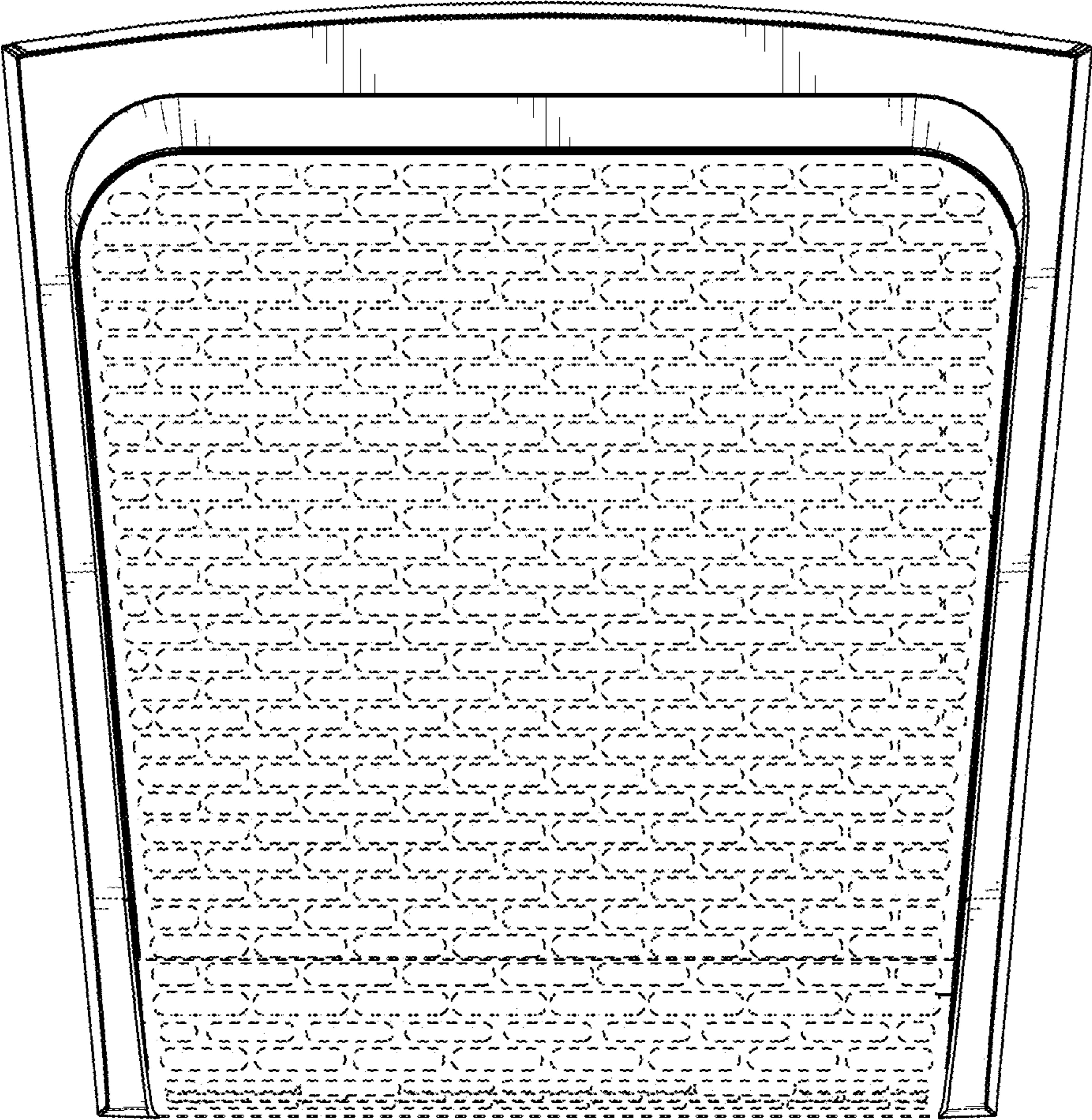


FIG. 4

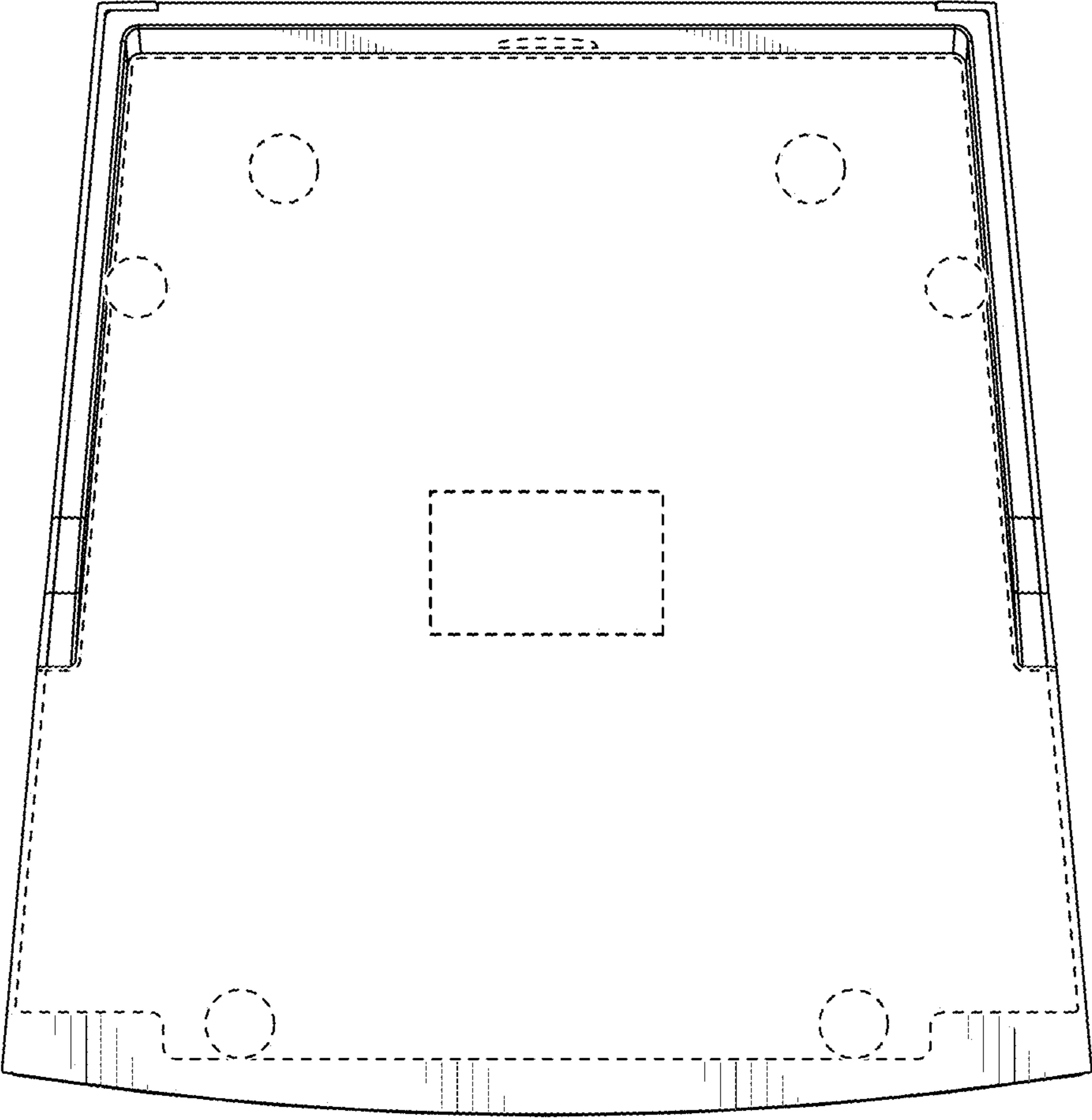


FIG. 5

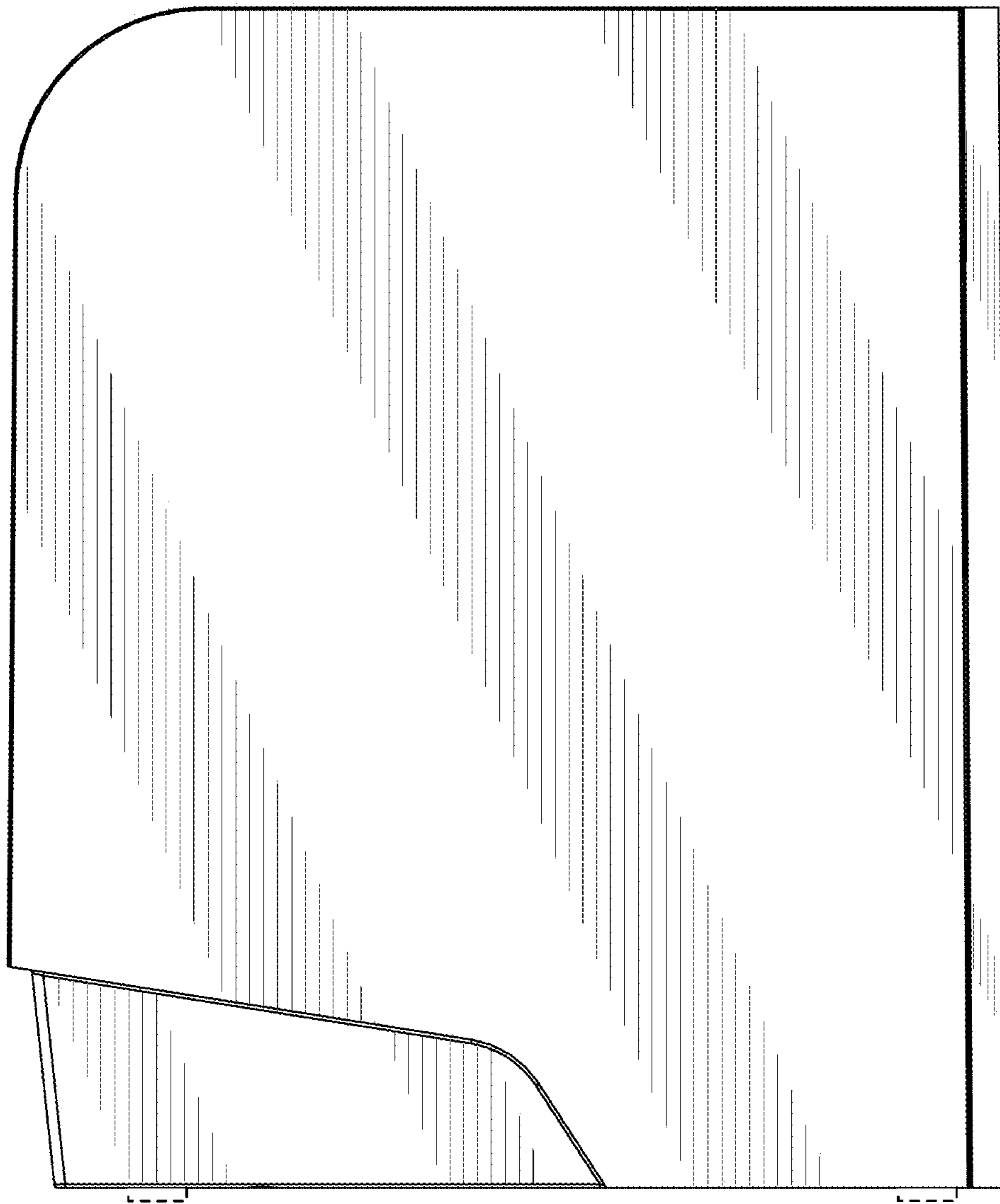


FIG. 6

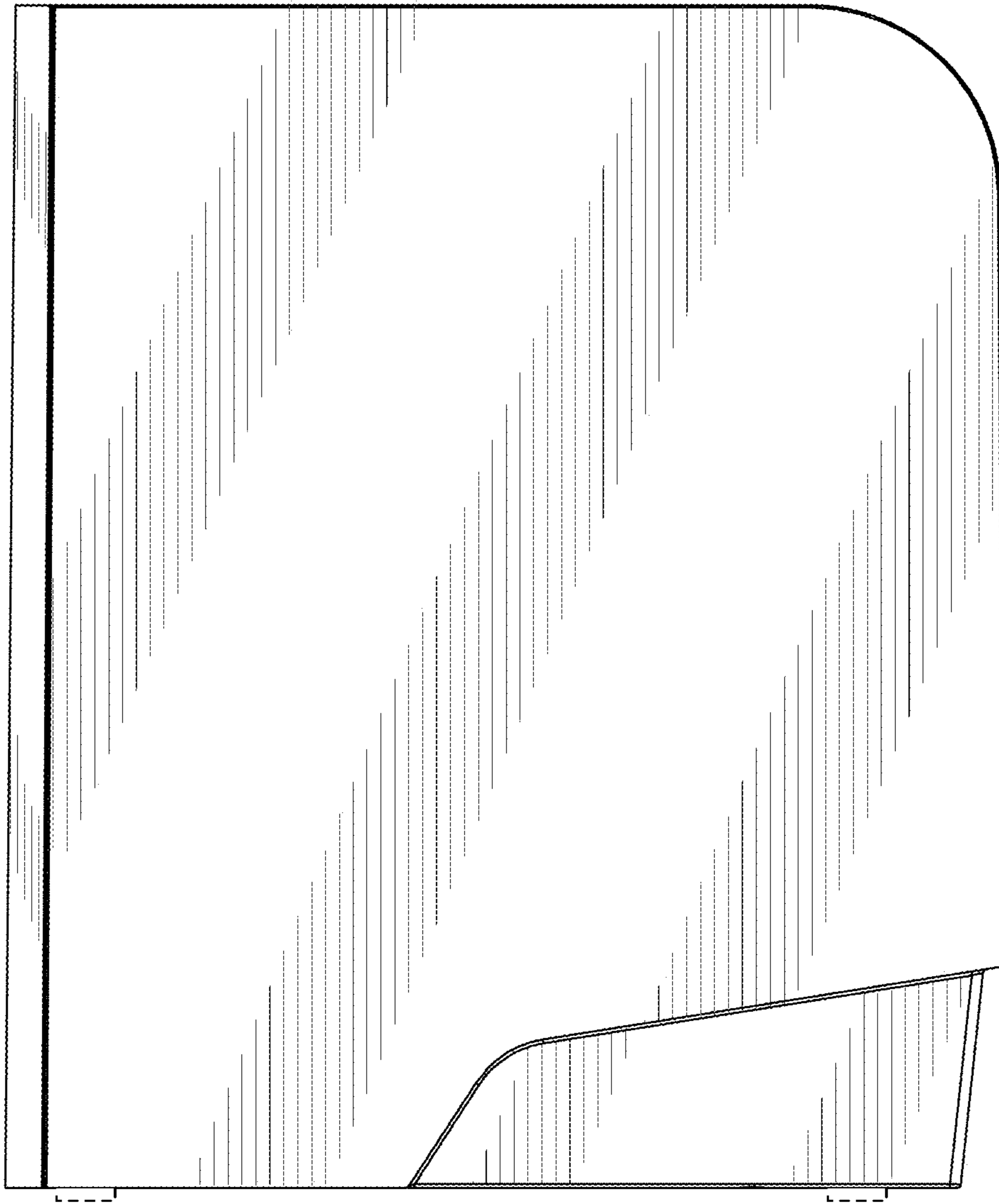


FIG. 7