



US00D985109S

(12) **United States Design Patent** (10) **Patent No.:** **US D985,109 S**  
**Eide et al.** (45) **Date of Patent:** **\*\* May 2, 2023**

(54) **AIR PURIFICATION AND STERILIZATION UNIT**

(71) Applicant: **AERUS MEDICAL, LLC**, Dallas, TX (US)

(72) Inventors: **Andrew Eide**, Rockwall, TX (US); **Christopher Carroll Kyte**, Elizabethton, TN (US); **Joe Urso**, Dallas, TX (US); **Deborah Jessup**, Pittsburgh, PA (US)

(\*\*) Term: **15 Years**

(21) Appl. No.: **29/721,801**

(22) Filed: **Jan. 23, 2020**

(51) **LOC (14) Cl.** ..... **23-04**

(52) **U.S. Cl.**  
USPC ..... **D23/364**

(58) **Field of Classification Search**  
USPC ..... D15/122, 135, 199; D23/200, 213, D23/355-365, 325-326, 332, 351, 342, D23/354  
CPC .. A61L 9/16; A61L 9/22; B01D 47/00; B01D 2221/02; B03C 3/155; F24F 3/16; F24F 13/28

See application file for complete search history.

(56) **References Cited**

**U.S. PATENT DOCUMENTS**

D440,292 S \* 4/2001 Kip ..... D23/364  
D503,785 S \* 4/2005 Otaki ..... D15/79  
D513,432 S \* 1/2006 Nakamura ..... D23/364  
D540,930 S \* 4/2007 Reedy ..... F24F 1/0071  
D23/365  
D573,704 S \* 7/2008 Chen ..... D23/364

(Continued)

**FOREIGN PATENT DOCUMENTS**

EM 001079339-0002 8/2010  
KR 300907940.0000 \* 5/2016

**OTHER PUBLICATIONS**

First Office Action received for Chinese Patent Application No. 202030404807.8, dated Nov. 3, 2020, 2 pages (Original Document Only).

(Continued)

*Primary Examiner* — Dana K Weiland

*Assistant Examiner* — Jonathan E Fiencke

(74) *Attorney, Agent, or Firm* — Workman Nydegger; Logan Christenson; John Guynn

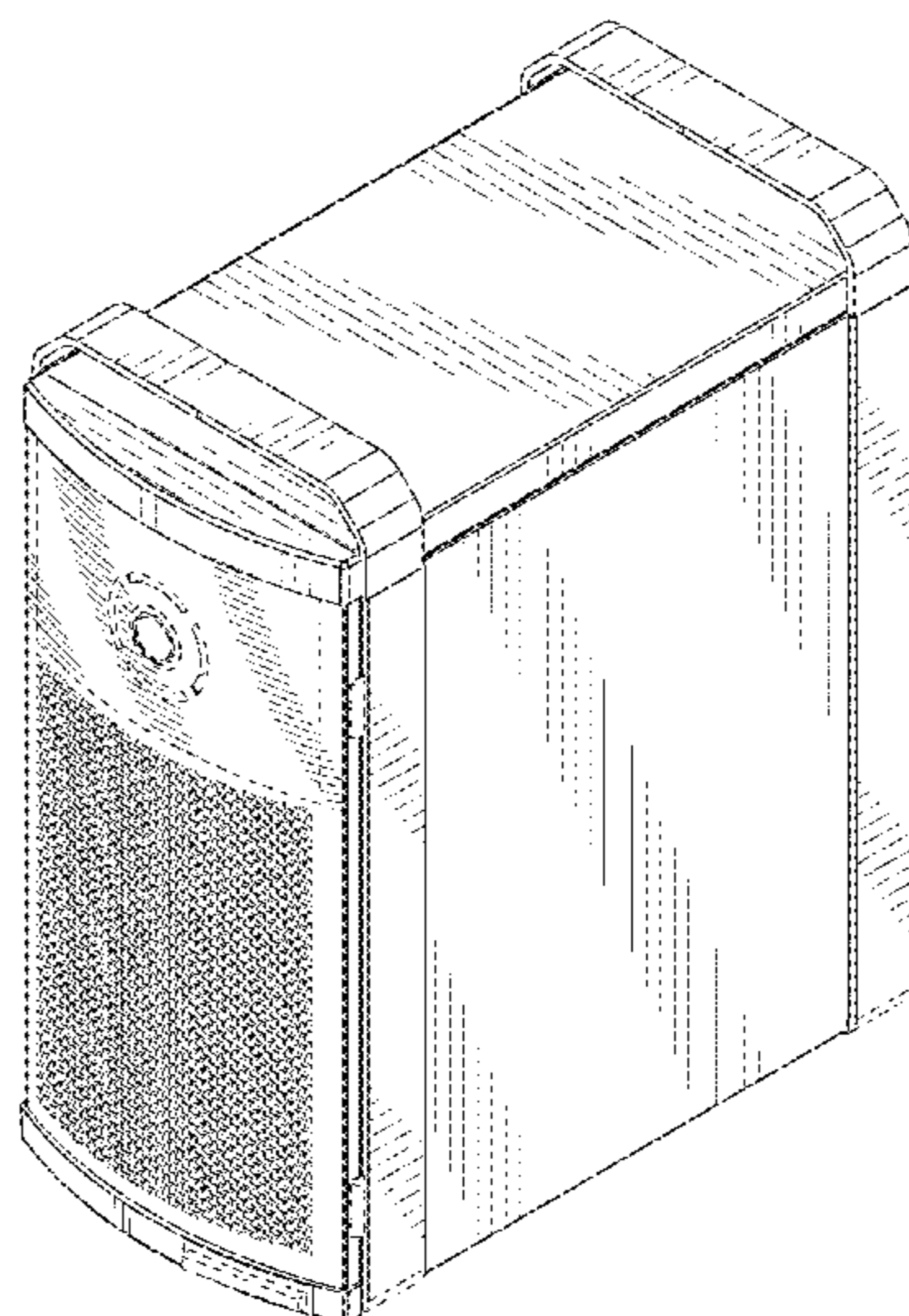
(57) **CLAIM**

The ornamental design for an air purification and sterilization unit, as shown and described.

**DESCRIPTION**

FIG. 1 illustrates a perspective view of an air purification and sterilization unit showing the new design; FIG. 2 illustrates a front elevation view thereof; FIG. 3 illustrates a rear elevation view thereof; FIG. 4 illustrates a top plan view thereof; FIG. 5 illustrates a bottom plan view thereof; FIG. 6 illustrates a right side elevation view thereof; FIG. 7 illustrates a left side elevation view thereof; FIG. 8 illustrates a perspective view of another embodiment of an air purification and sterilization unit showing the new design; FIG. 9 illustrates a front elevation view thereof; FIG. 10 illustrates a rear elevation view thereof; FIG. 11 illustrates a top plan view thereof; FIG. 12 illustrates a bottom plan view thereof; FIG. 13 illustrates a right side elevation view thereof; and, FIG. 14 illustrates a left side elevation view thereof. The broken lines and unshaded areas depict portions of the air purification and sterilization device that form no part of the claimed design.

**1 Claim, 8 Drawing Sheets**



(56)

**References Cited**

U.S. PATENT DOCUMENTS

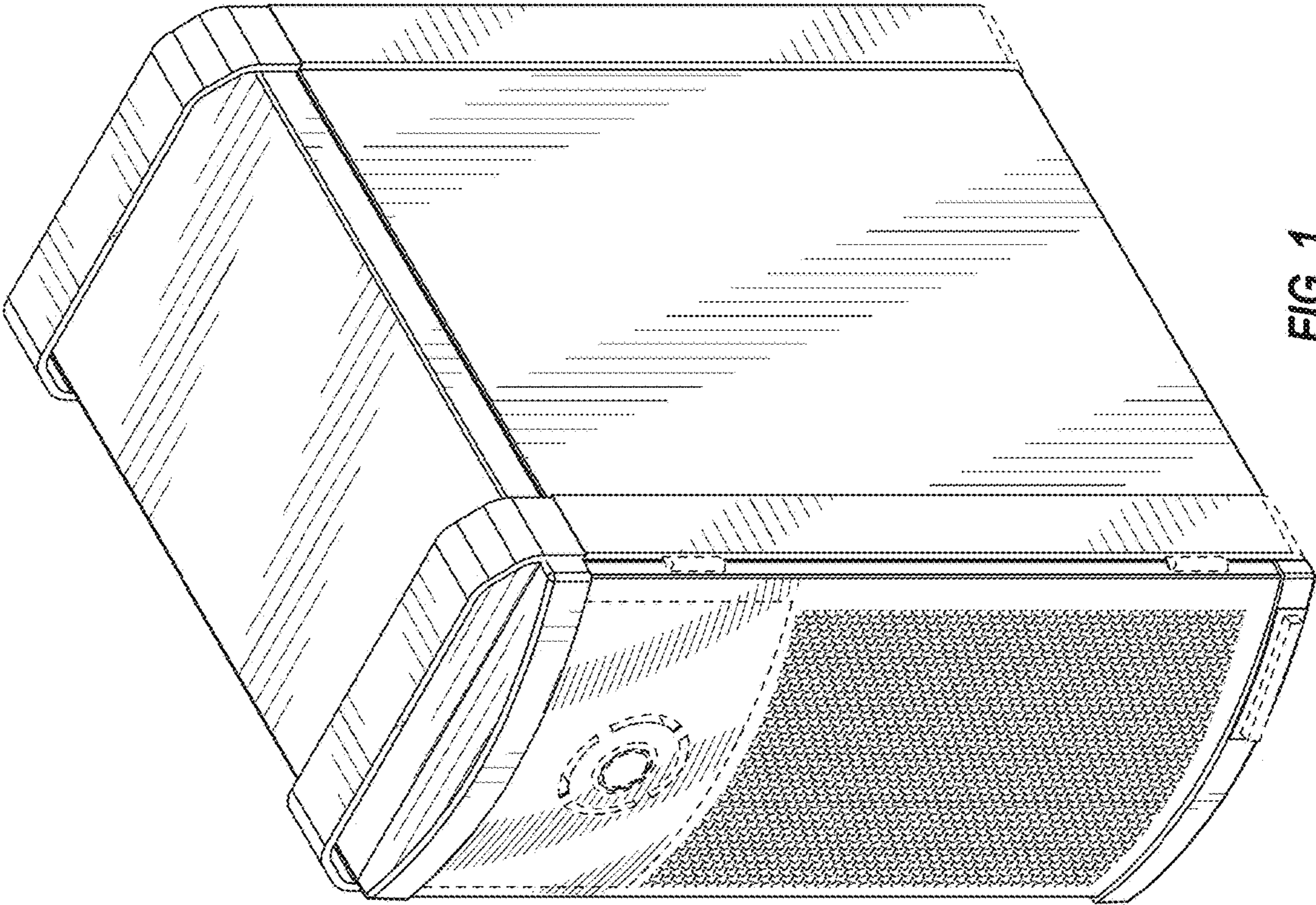
D611,132	S	3/2010	Borgi	
D612,035	S	3/2010	Borgi	
D620,511	S *	7/2010	Publ .....	D23/207
D690,803	S *	10/2013	Koivisto .....	D23/364
D780,900	S *	3/2017	Dichraff .....	D23/364
D783,793	S *	4/2017	Satou .....	D23/364
D797,915	S *	9/2017	Lewis .....	D23/364
D810,259	S *	2/2018	You .....	D23/364
D912,235	S *	3/2021	Lee .....	D23/364
D937,787	S *	12/2021	Wappler .....	D13/184
D946,731	S *	3/2022	Fu .....	D23/356
D947,335	S *	3/2022	Zheng .....	D23/359
D948,689	S *	4/2022	Shen .....	F24F 11/30 D23/356
D950,695	S *	5/2022	Xie .....	D23/356
D965,128	S *	9/2022	Feng .....	F24F 11/30 D23/356
2011/0006216	A1 *	1/2011	Searle .....	F24F 1/0071 250/455.11

OTHER PUBLICATIONS

Office Action and Search Report Taiwanese Application No. 109304033, dated Apr. 8, 2021, 3 pages (Original Document Only).

Office Action received for Canadian Patent Application No. 196997, dated Feb. 11, 2022, 1 page.

\* cited by examiner



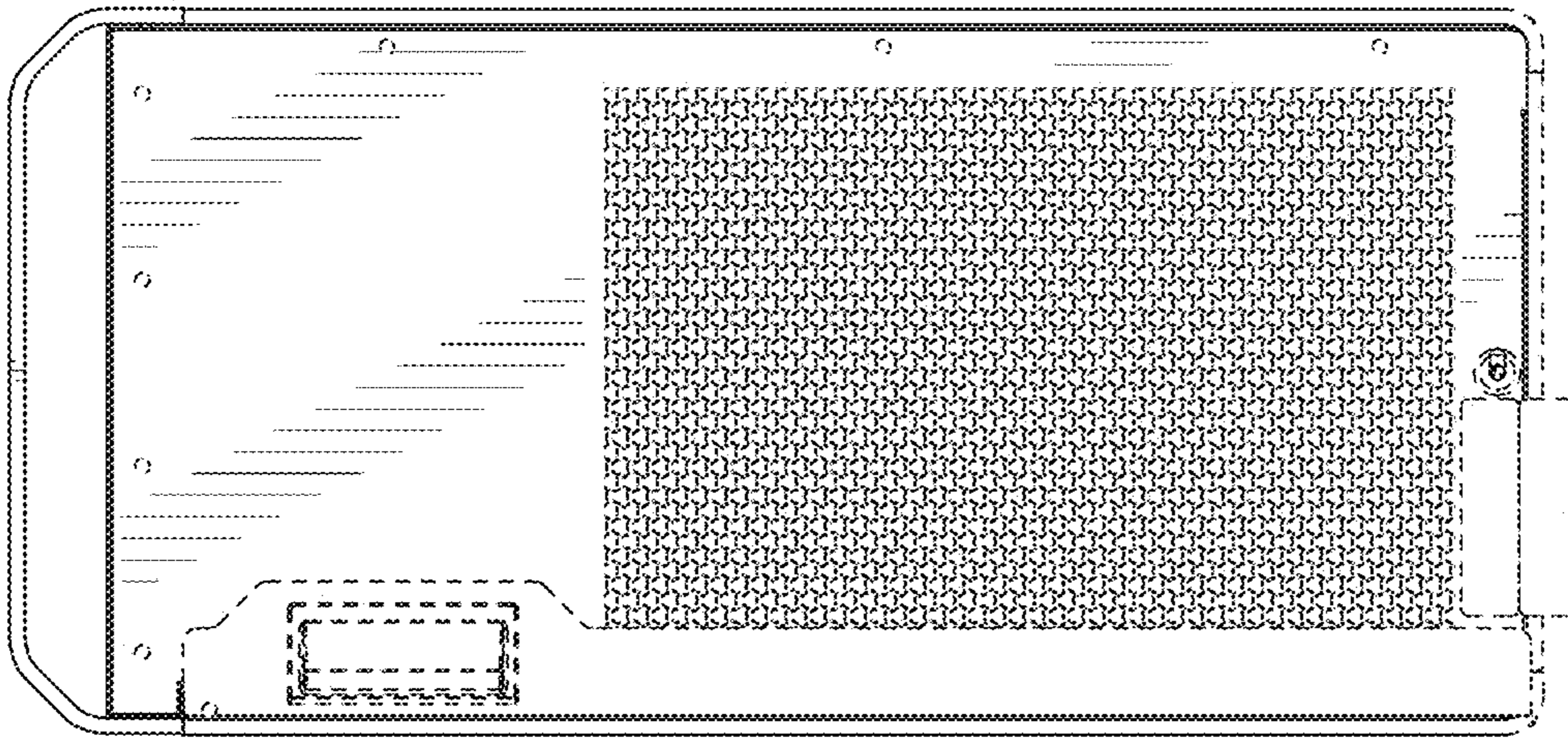


FIG. 3

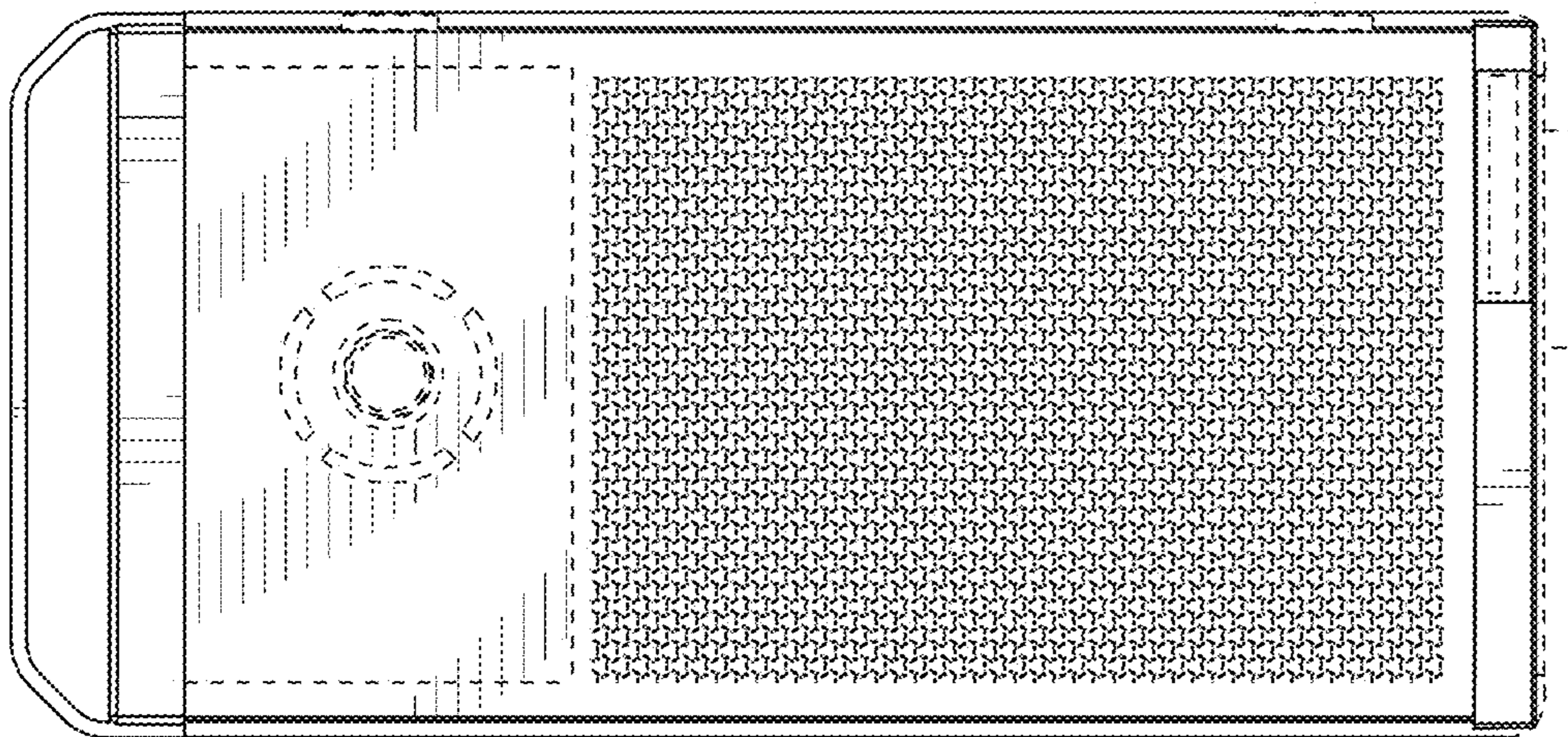


FIG. 2

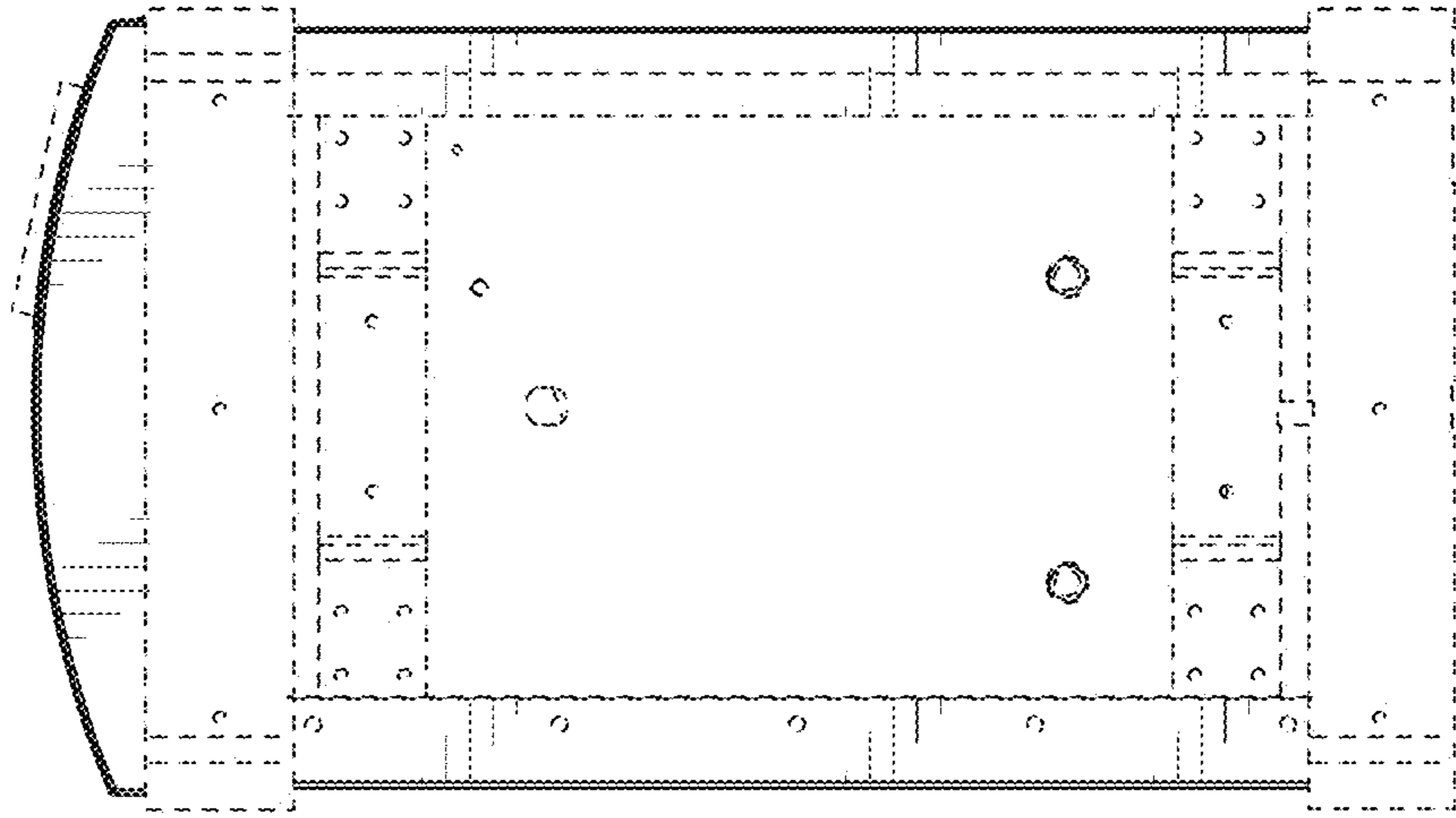


FIG. 5

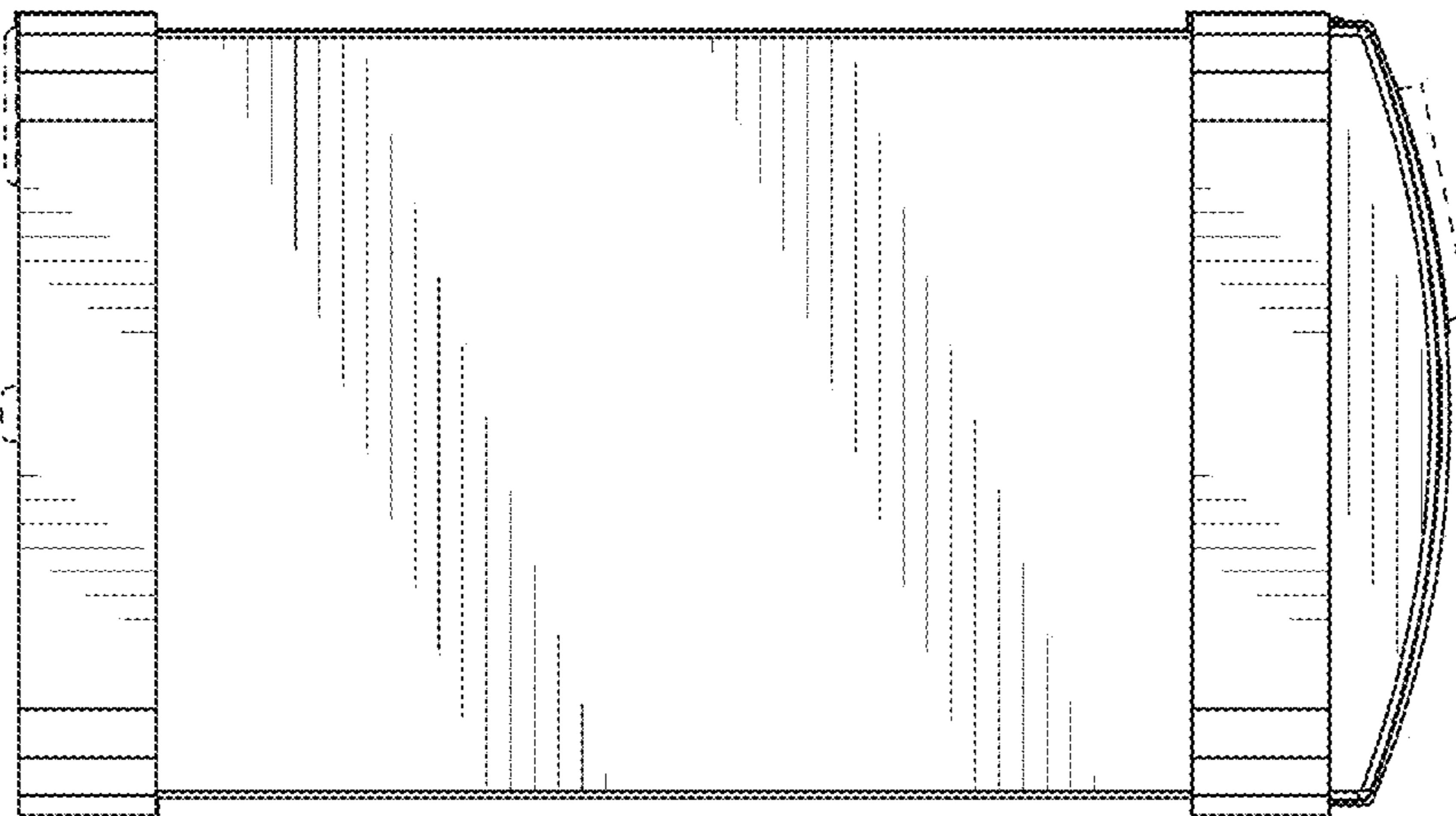


FIG. 4

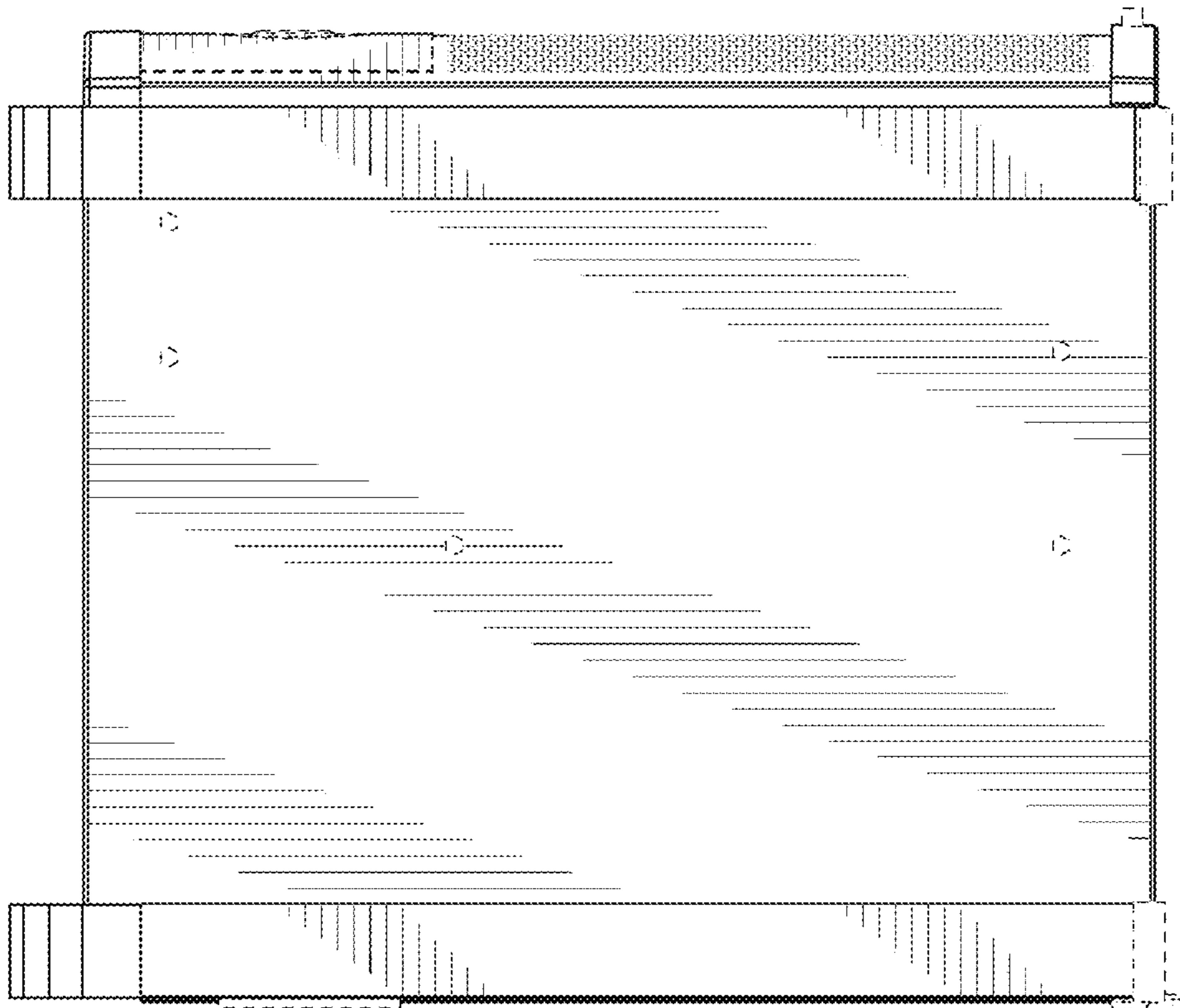


FIG. 7

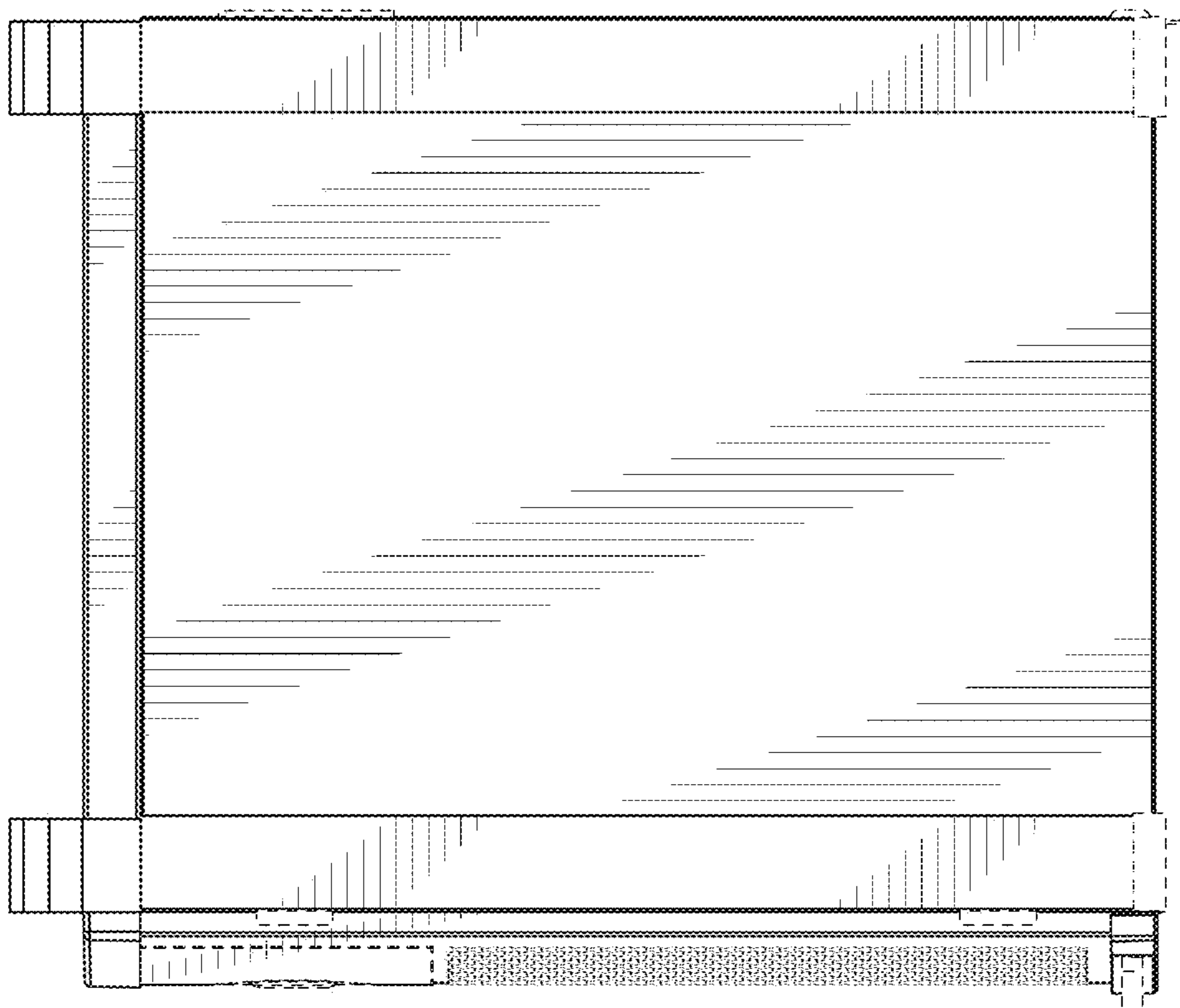


FIG. 6

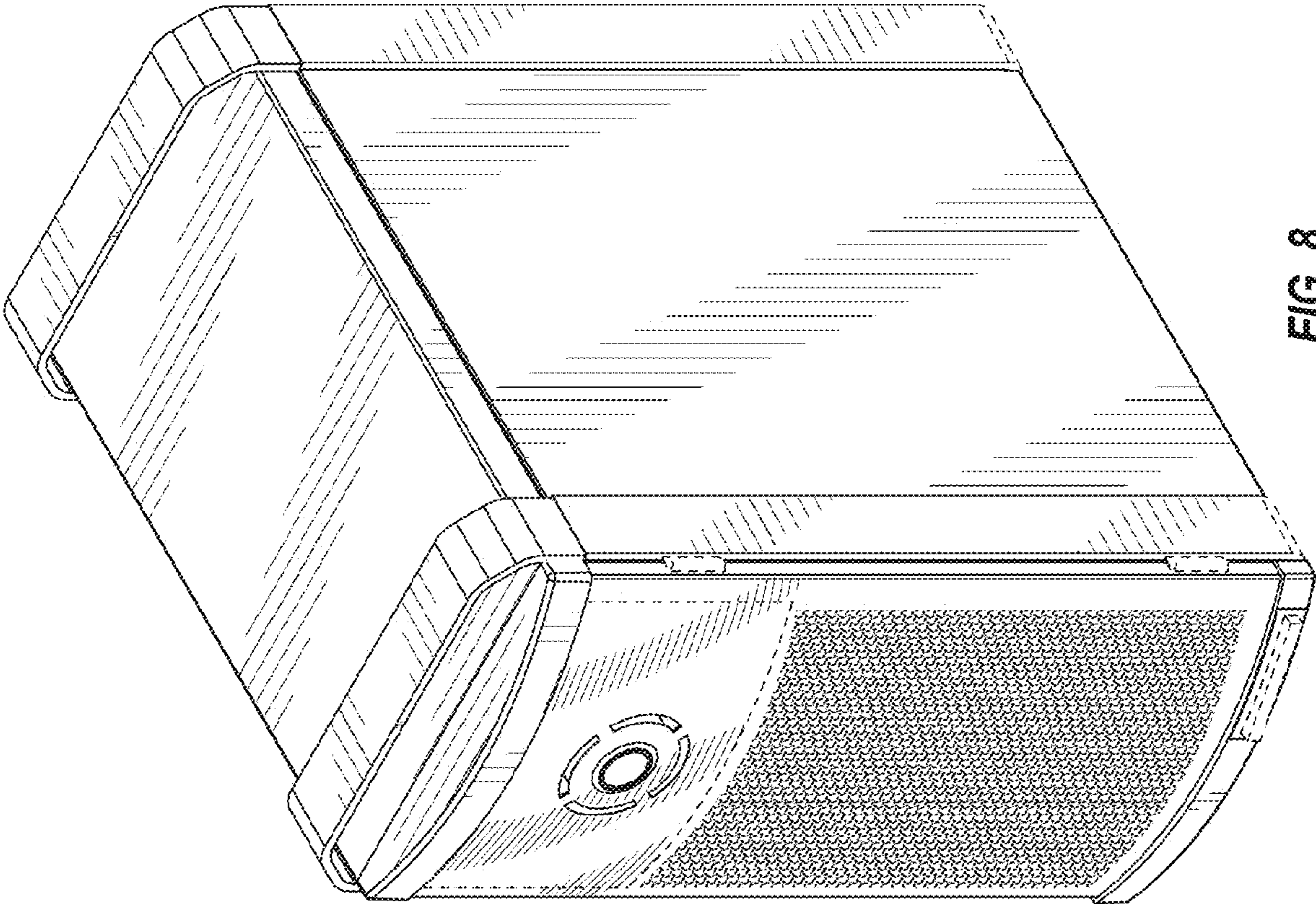


FIG. 8

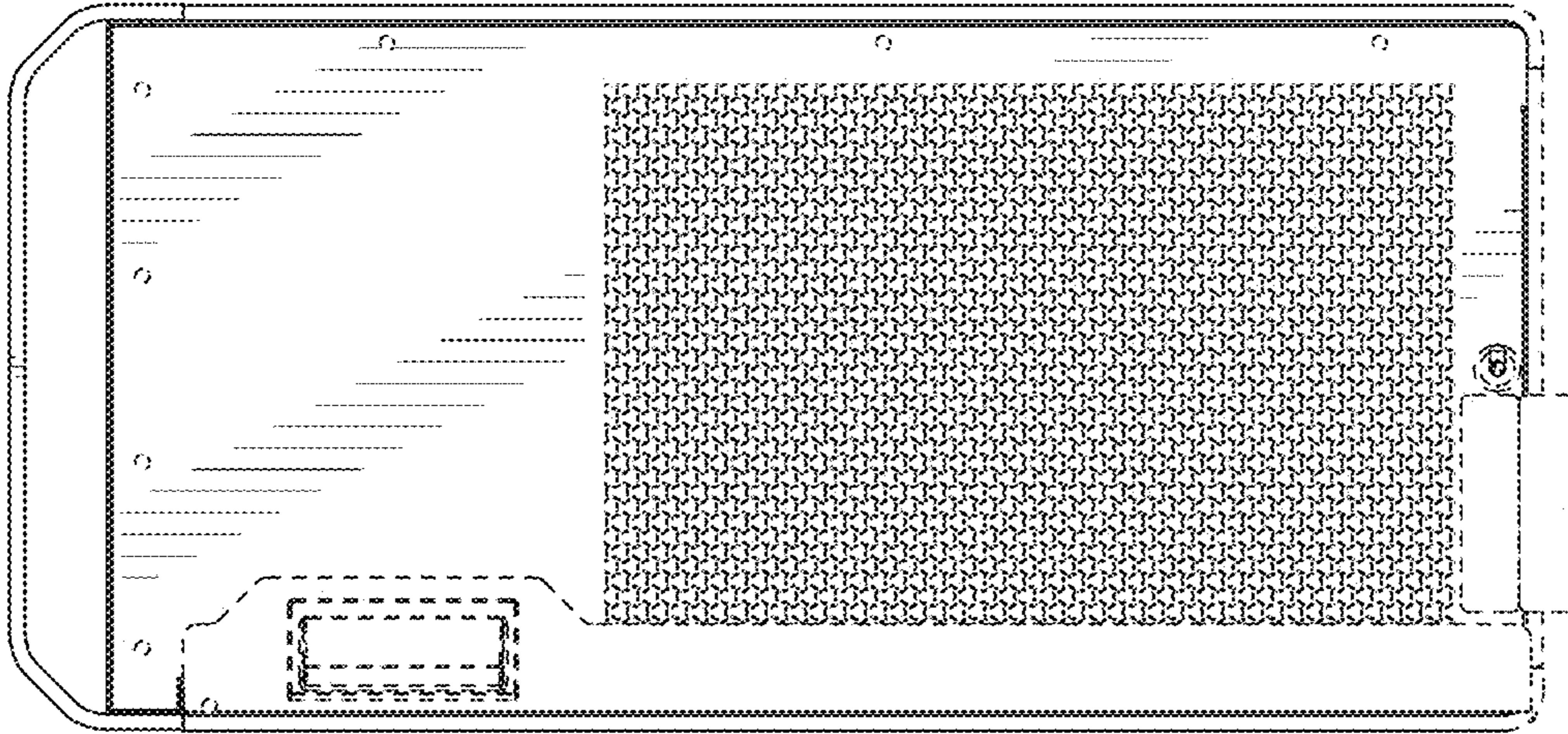


FIG. 10

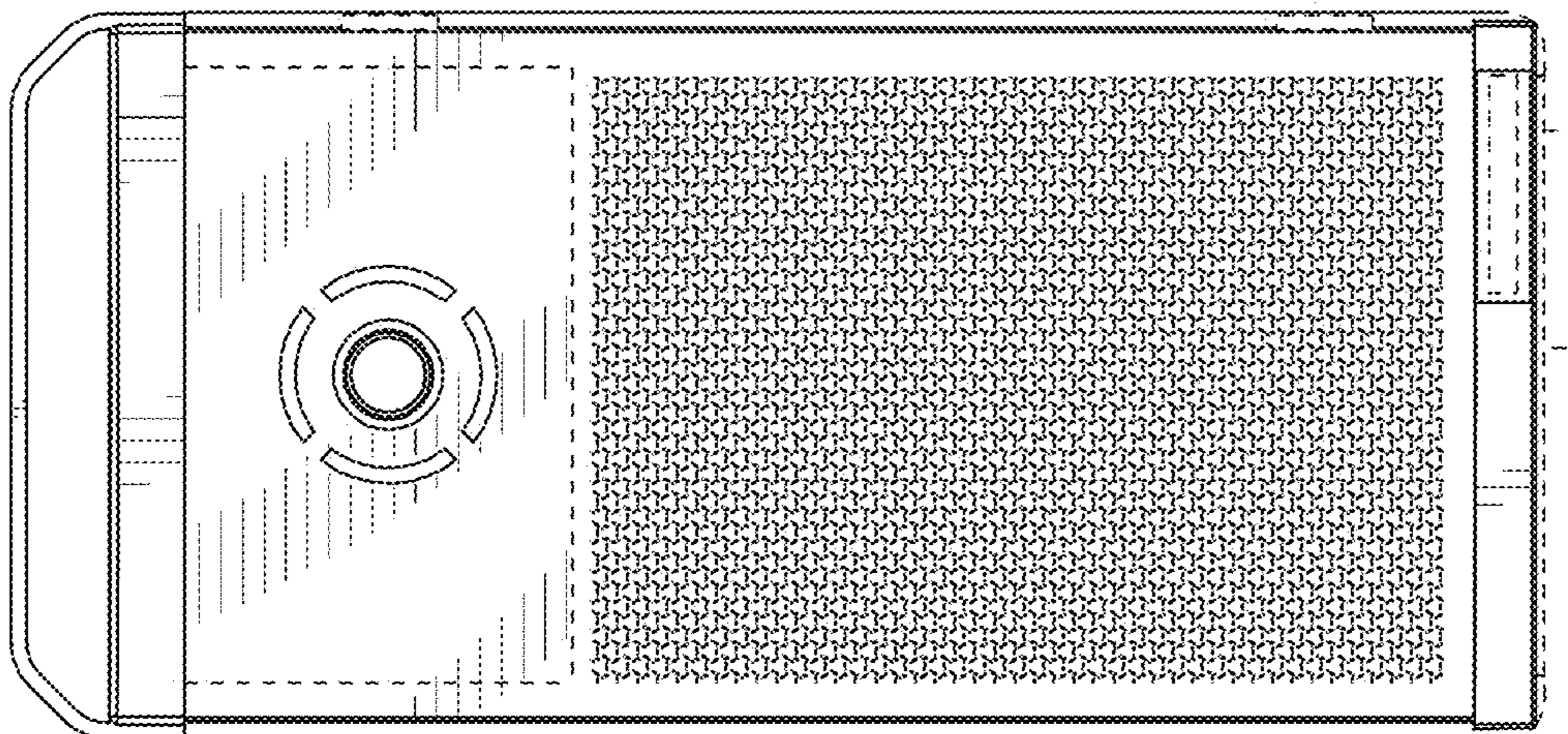


FIG. 9



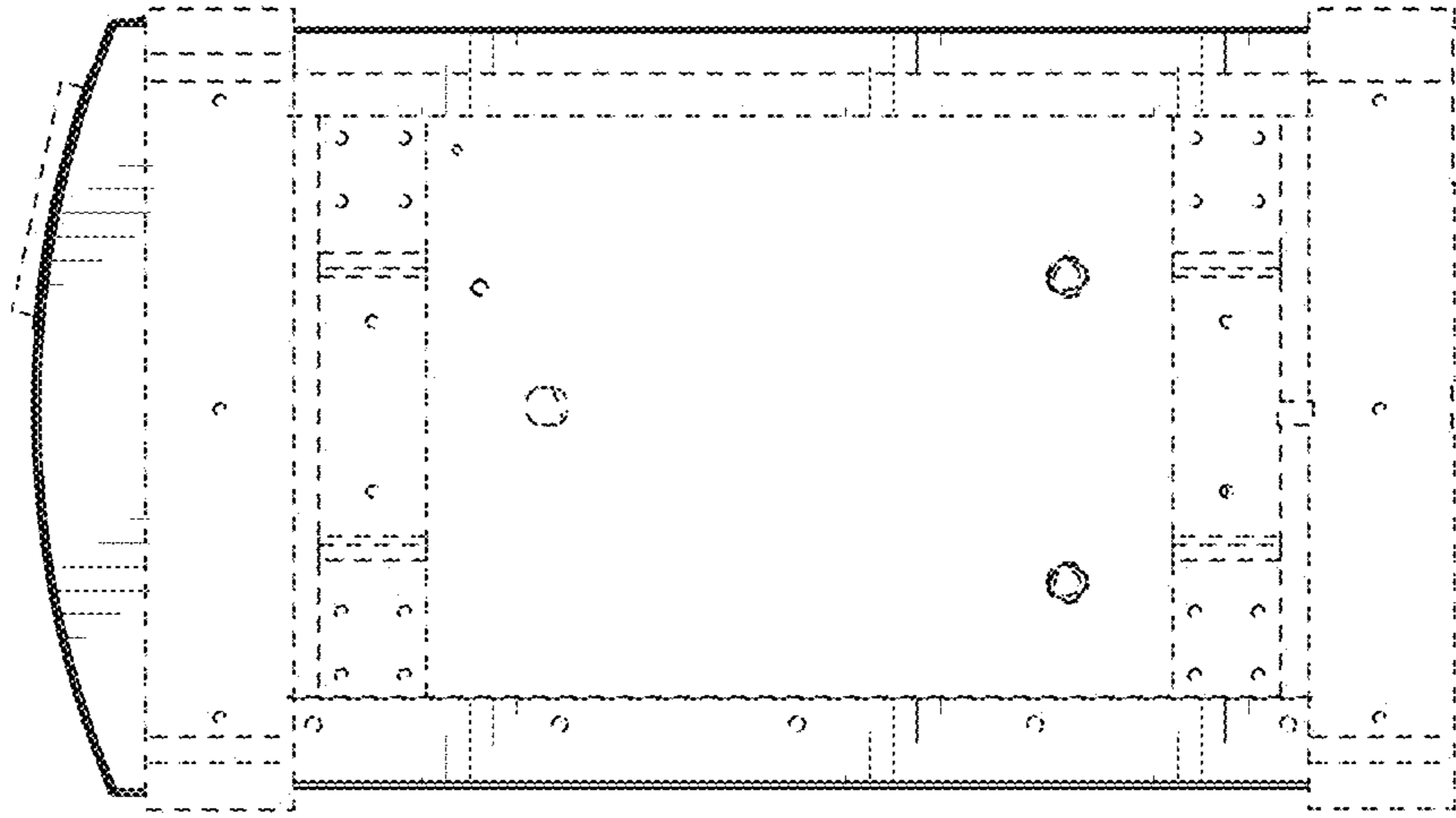


FIG. 11

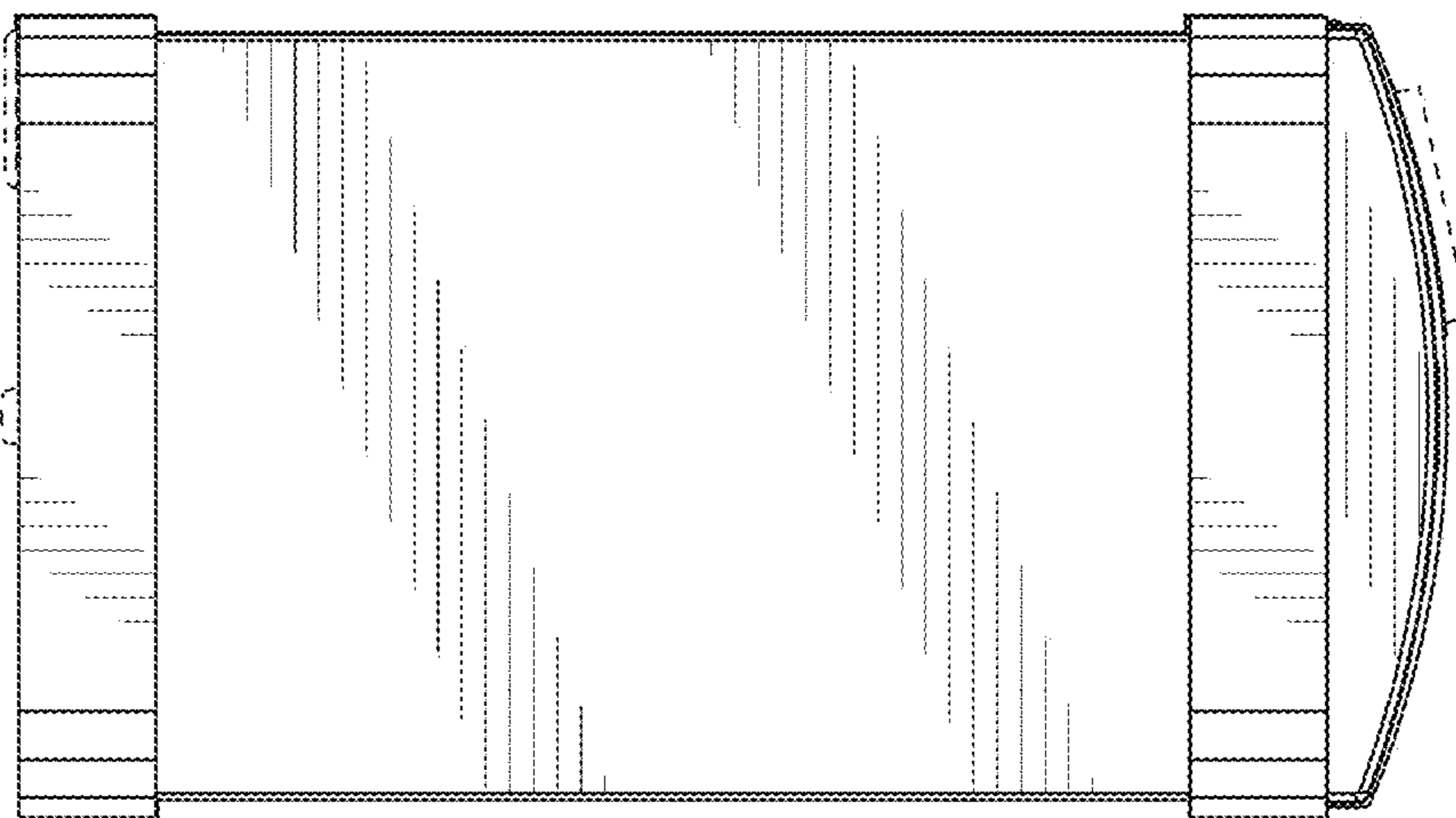


FIG. 12

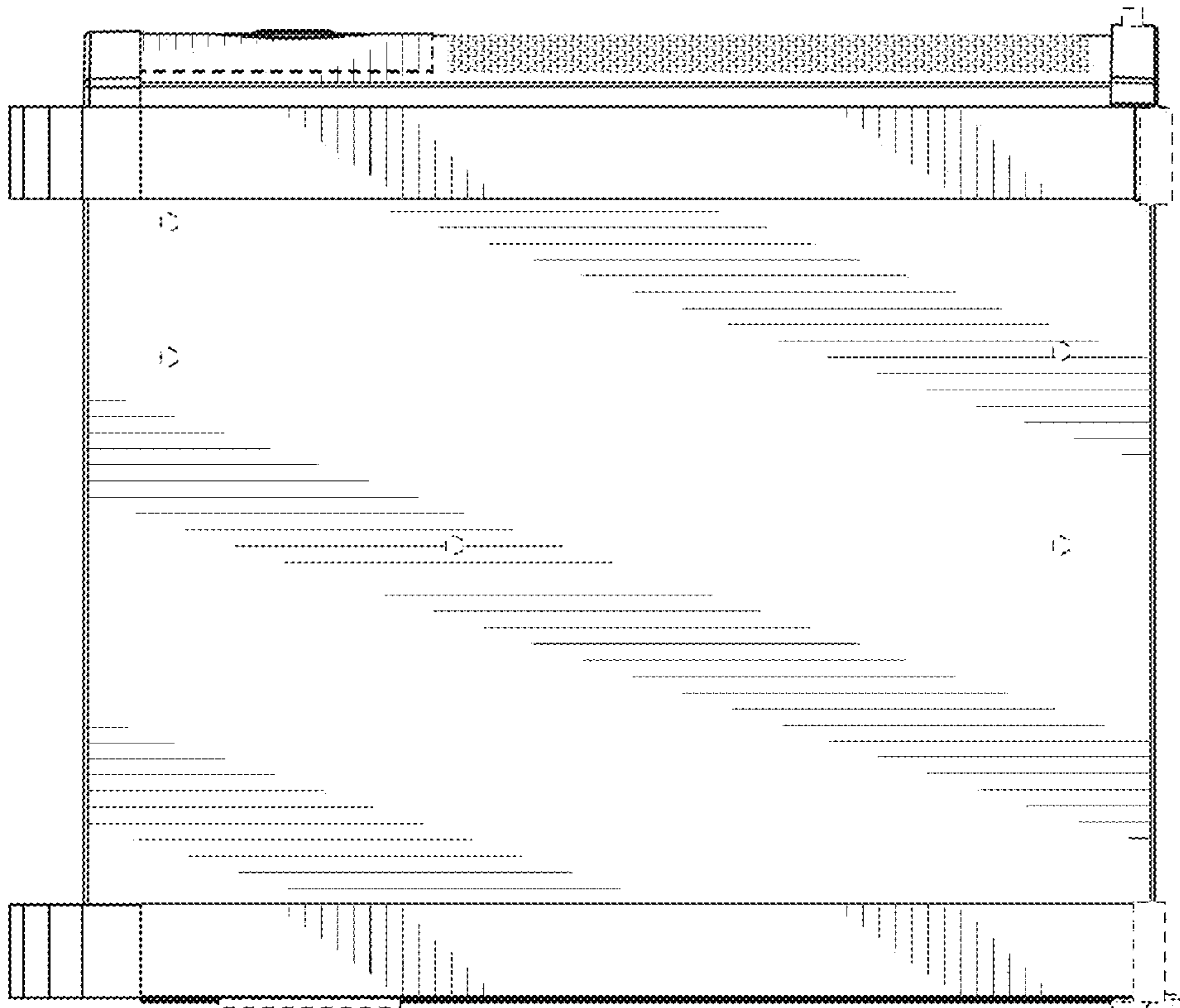


FIG. 14

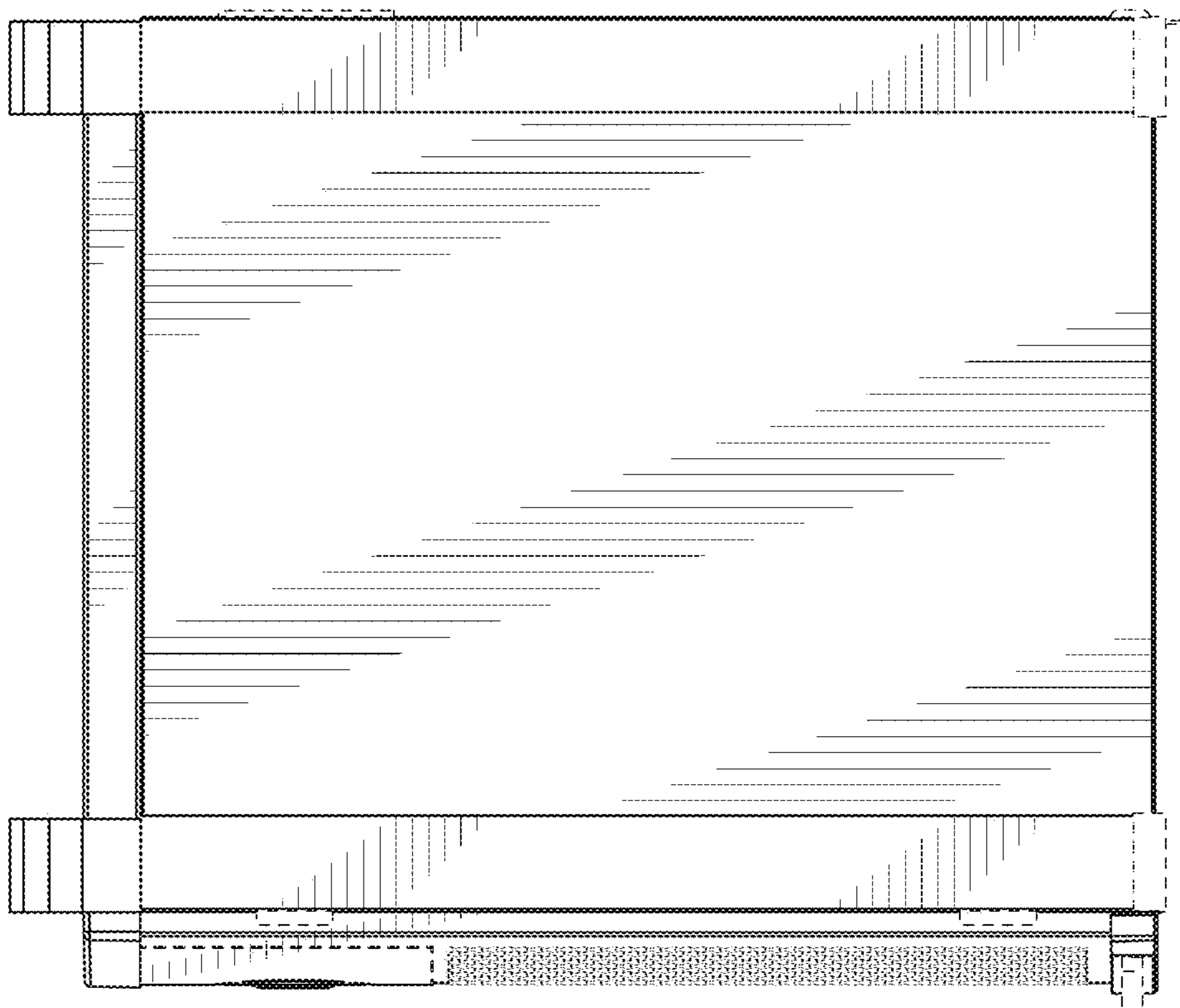


FIG. 13