



US00D985107S

(12) **United States Design Patent** (10) **Patent No.:** **US D985,107 S**
Federico (45) **Date of Patent:** **** May 2, 2023**

(54) **FIREPLACE**

(71) Applicant: **Otero Federico**, Boca Raton, FL (US)

(72) Inventor: **Otero Federico**, Boca Raton, FL (US)

(**) Term: **15 Years**

(21) Appl. No.: **29/738,392**

(22) Filed: **Jun. 17, 2020**

(51) **LOC (14) Cl.** **23-03**

(52) **U.S. Cl.**

USPC **D23/343**

(58) **Field of Classification Search**

USPC D23/342-343, 345-346, 348, 499;
D7/339

CPC F24H 3/00; F24C 7/04

See application file for complete search history.

(56) **References Cited**

U.S. PATENT DOCUMENTS

2,725,872	A	*	12/1955	Richards	F24B 1/181
						D23/343
D204,968	S	*	5/1966	Lovett	D23/350
D469,861	S	*	2/2003	Garafolo	D23/348
D610,664	S	*	2/2010	Thomas	D23/343
D664,245	S	*	7/2012	Otero	D23/343
D858,730	S	*	9/2019	Hunter, III	D23/348
2018/0347819	A1	*	12/2018	Hunter, III	F24B 1/195

FOREIGN PATENT DOCUMENTS

CN	304445456	*	1/2018
CN	304573100	*	4/2018
CN	305343557	*	9/2019
RU	00115672	*	8/2019

OTHER PUBLICATIONS

Modern Hanging Ceiling Mounted Fireplace, first available Date unavailable[online], [site visited May 12, 2022]. Available from

internet, URL:<<https://www.ebay.com/itm/334265140340>> (Year: 2022).*

Ergofocus Fireplace, first available Jan. 1, 2018[online], [site visited May 18, 2022]. Available from internet, URL:<<https://www.nytimes.com/2018/01/01/realestate/shopping-fireplaces-wood-stoves.html>> (Year: 2018).*

Cocoon Aeris Fire, posted Dec. 11, 2014 [online], [retrieved May 18, 2022]. Retrieved from internet, <https://www.youtube.com/watch?v=DCRU73Oidl0> (on or around timestamp 3:49 into the video) (Year: 2014).*

* cited by examiner

Primary Examiner — David G Muller

Assistant Examiner — Jamaal Rasheed

(57) **CLAIM**

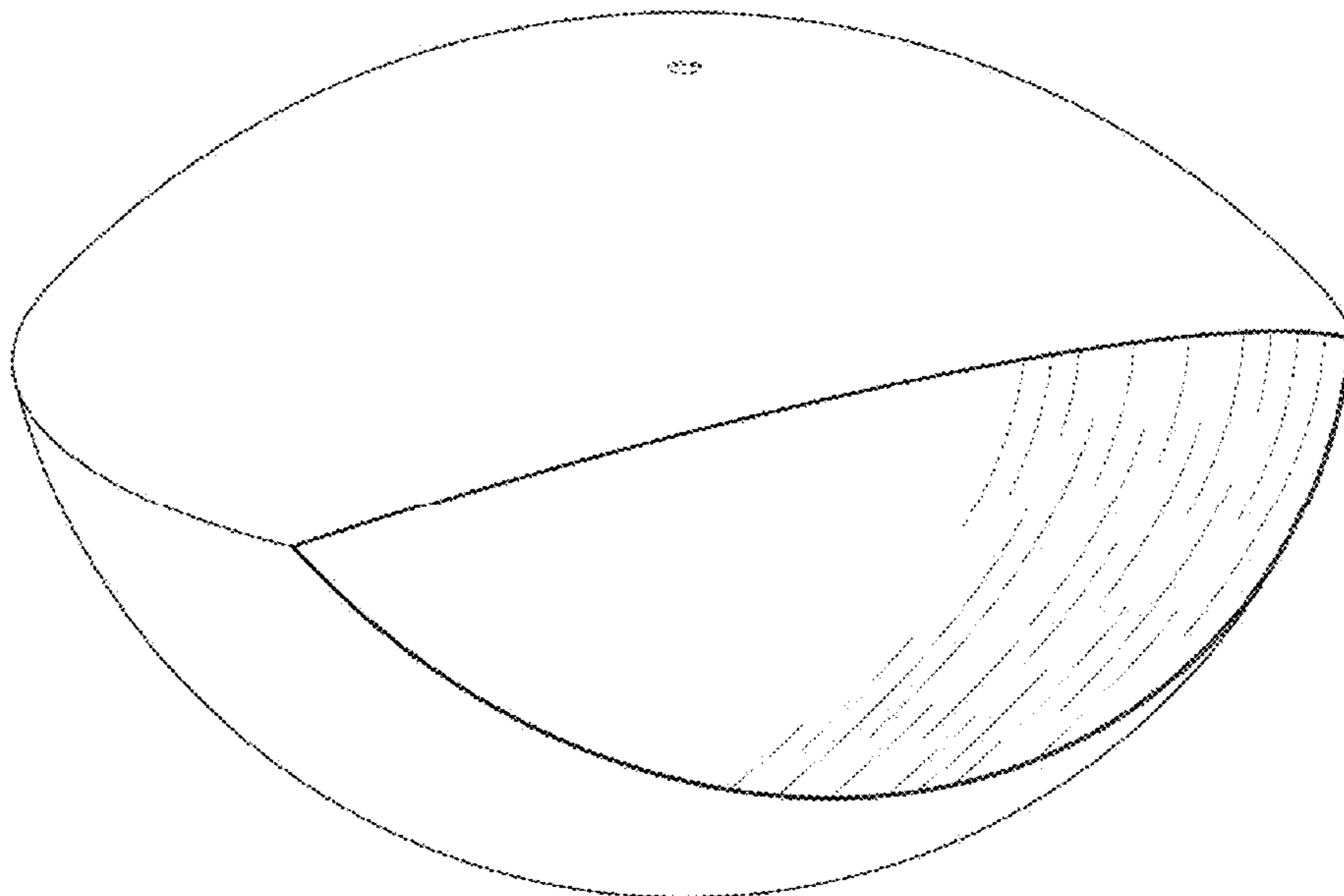
The ornamental design for a fireplace, as shown and described.

DESCRIPTION

FIG. 1 is a top view of a fireplace, showing my new design; FIG. 2 is a front view thereof; FIG. 3 is a side view thereof; FIG. 4 is top view of a fireplace, shown in a different environment with a vertical stand; FIG. 5 is a front view thereof; FIG. 6 is a side view thereof; FIG. 7 is a top view of a fireplace, shown in a different environment with a suspension rod; FIG. 8 is a front view thereof; FIG. 9 is a side view thereof; FIG. 10 is a top-down perspective view of FIG. 1; and, FIG. 11 is a bottom-up perspective view of FIG. 1.

The broken lines shown in the drawings are for the purpose of illustrating portions of the fireplace that form no part of the claimed design.

1 Claim, 11 Drawing Sheets



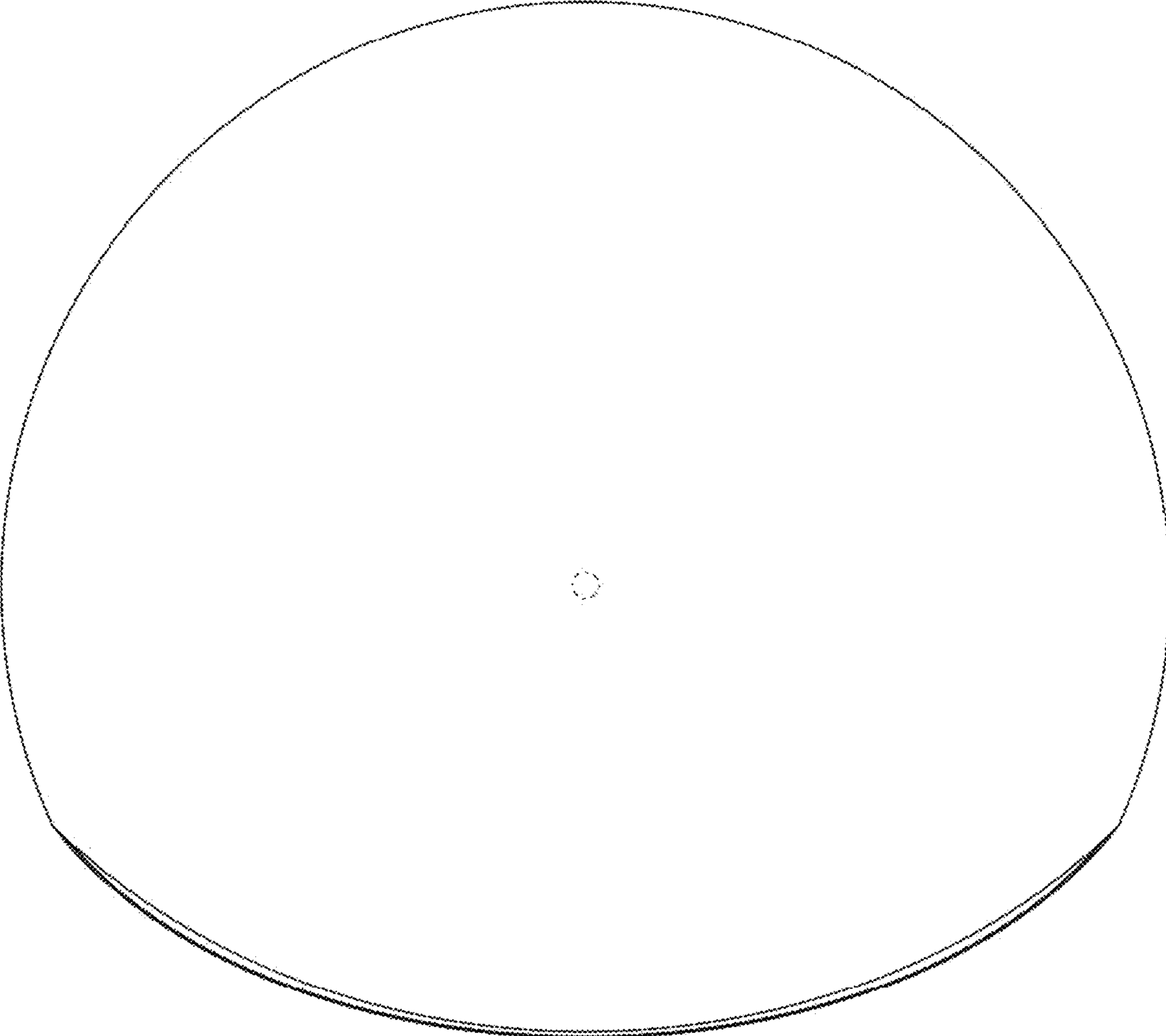


FIG. 1

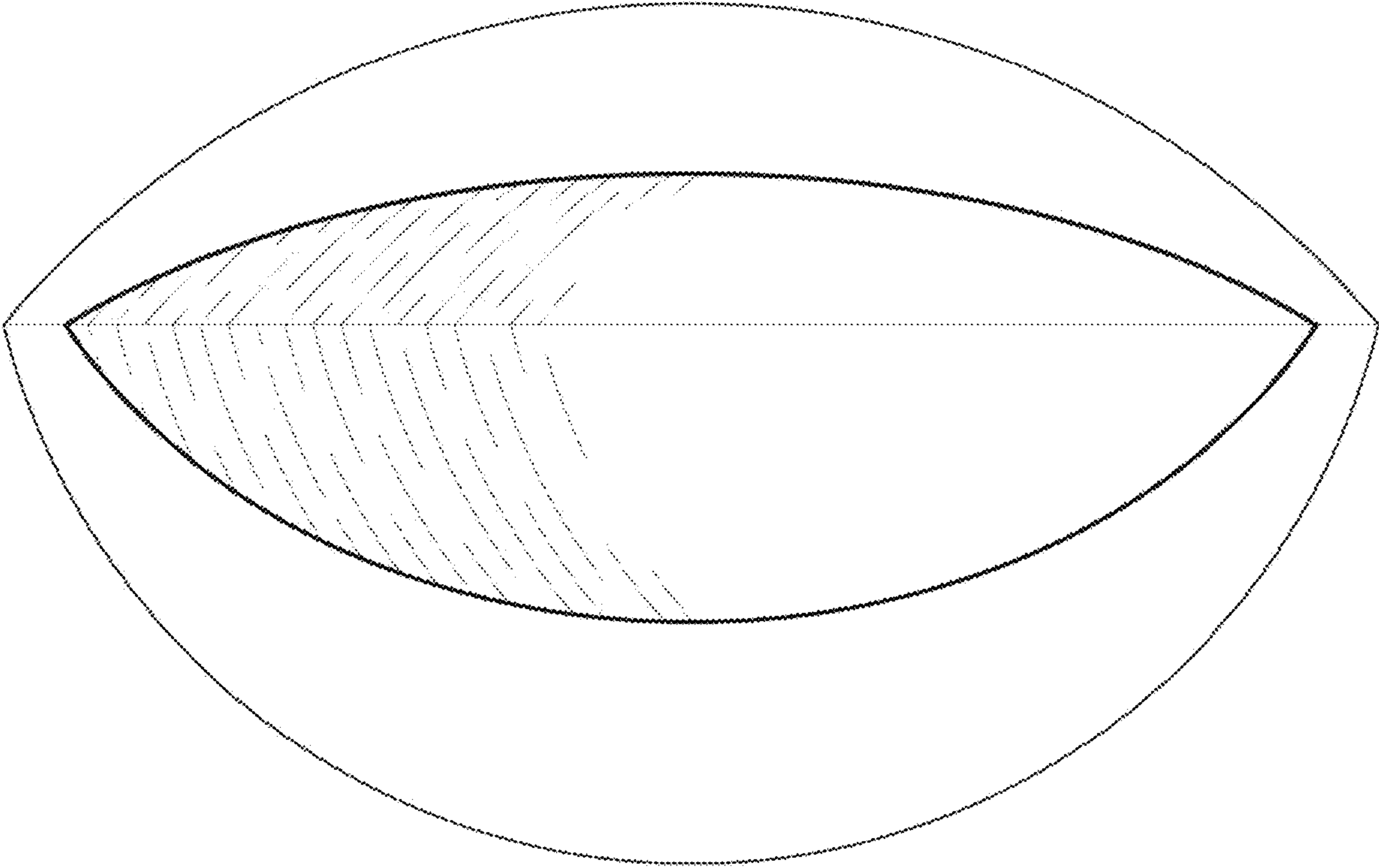


FIG. 2

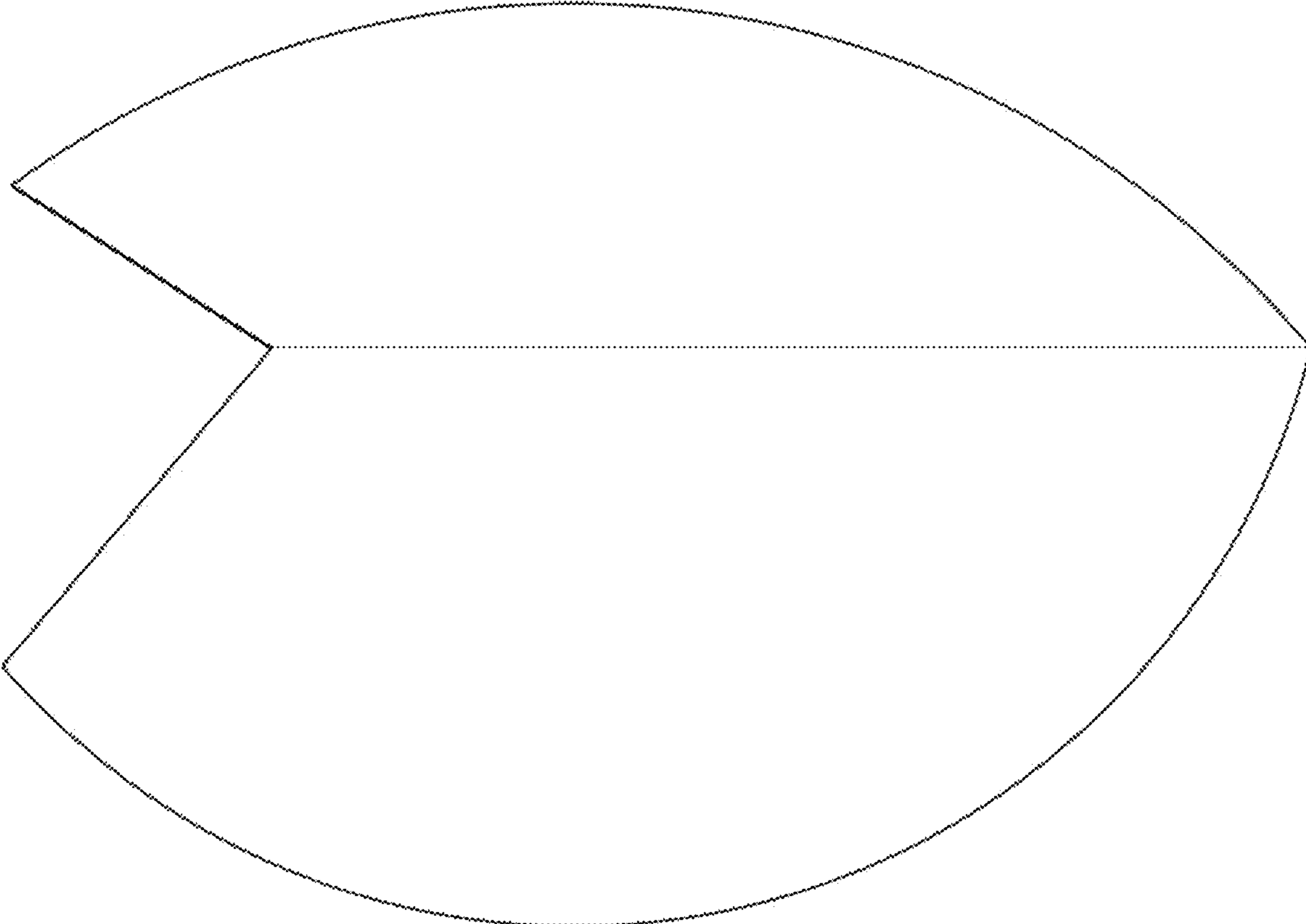


FIG. 3

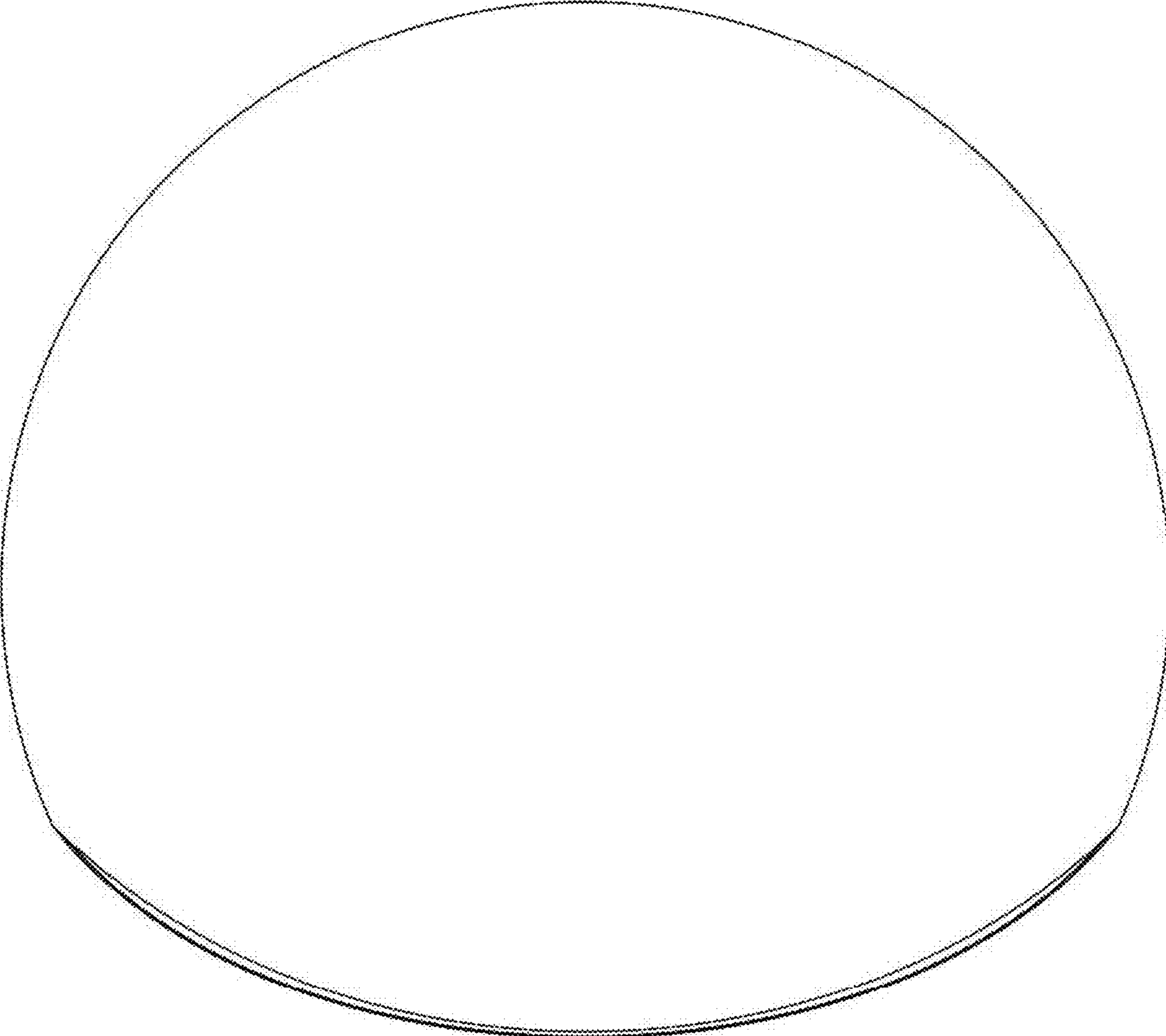


FIG. 4

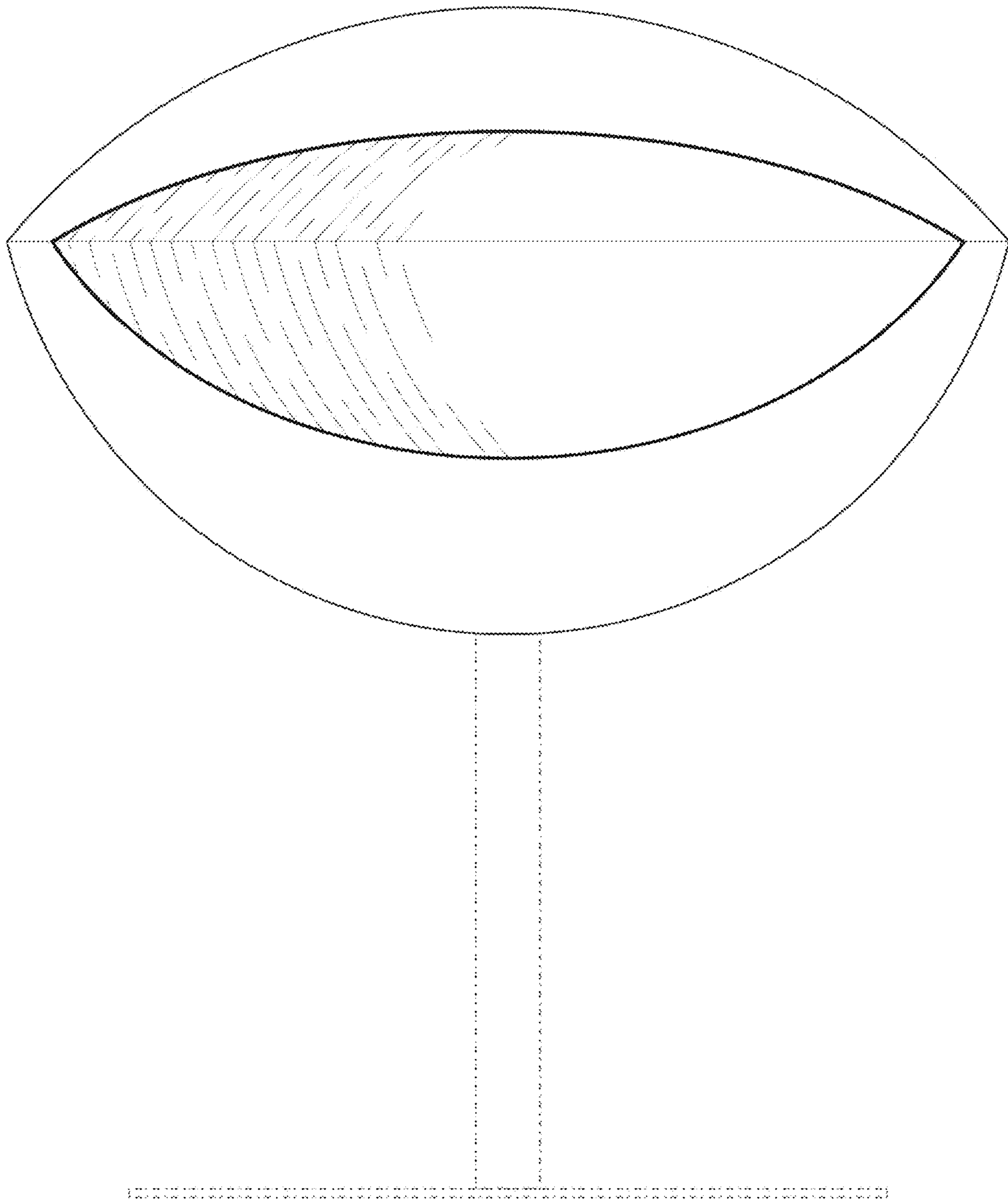


FIG. 5

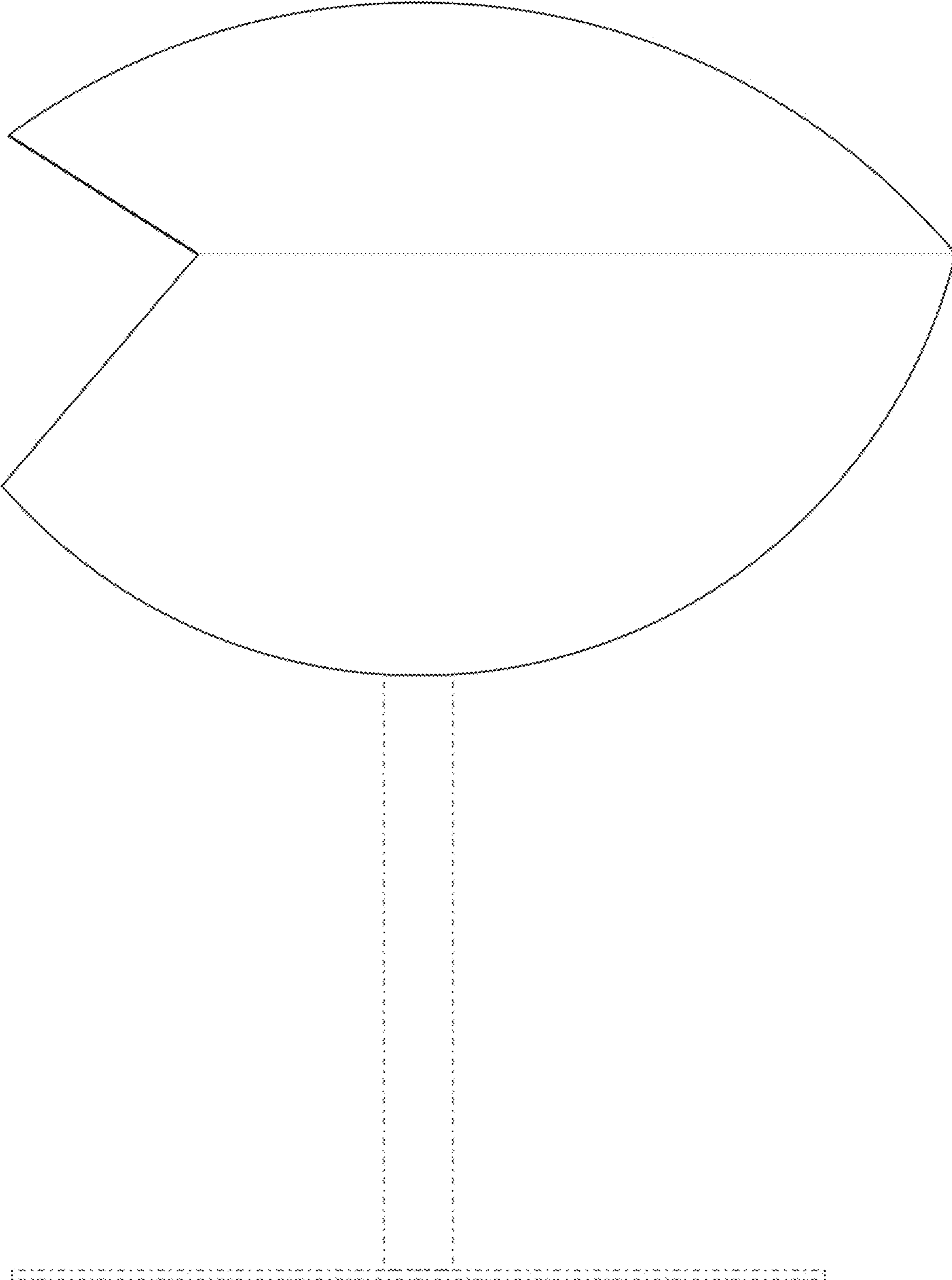


FIG. 6

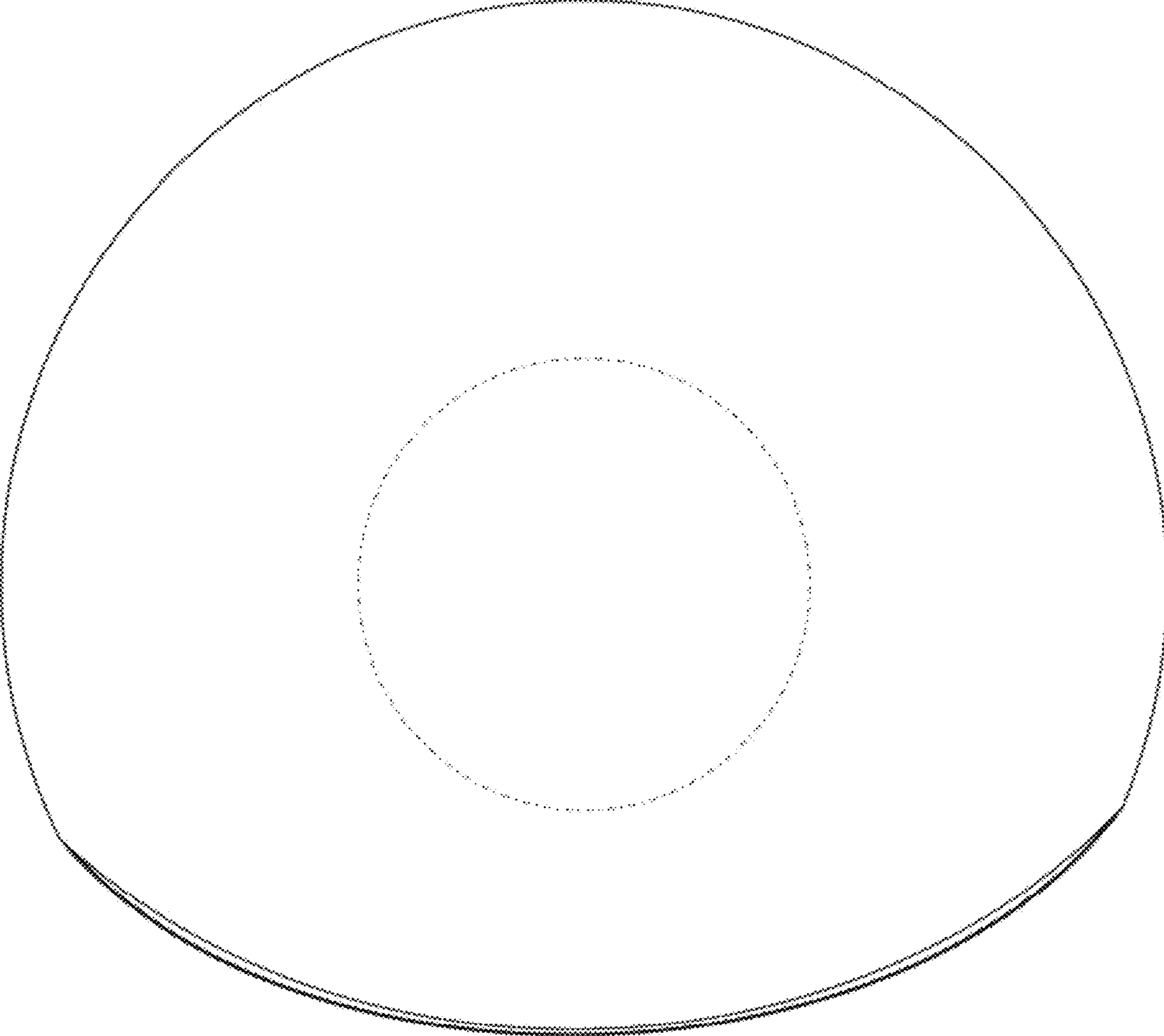


FIG. 7

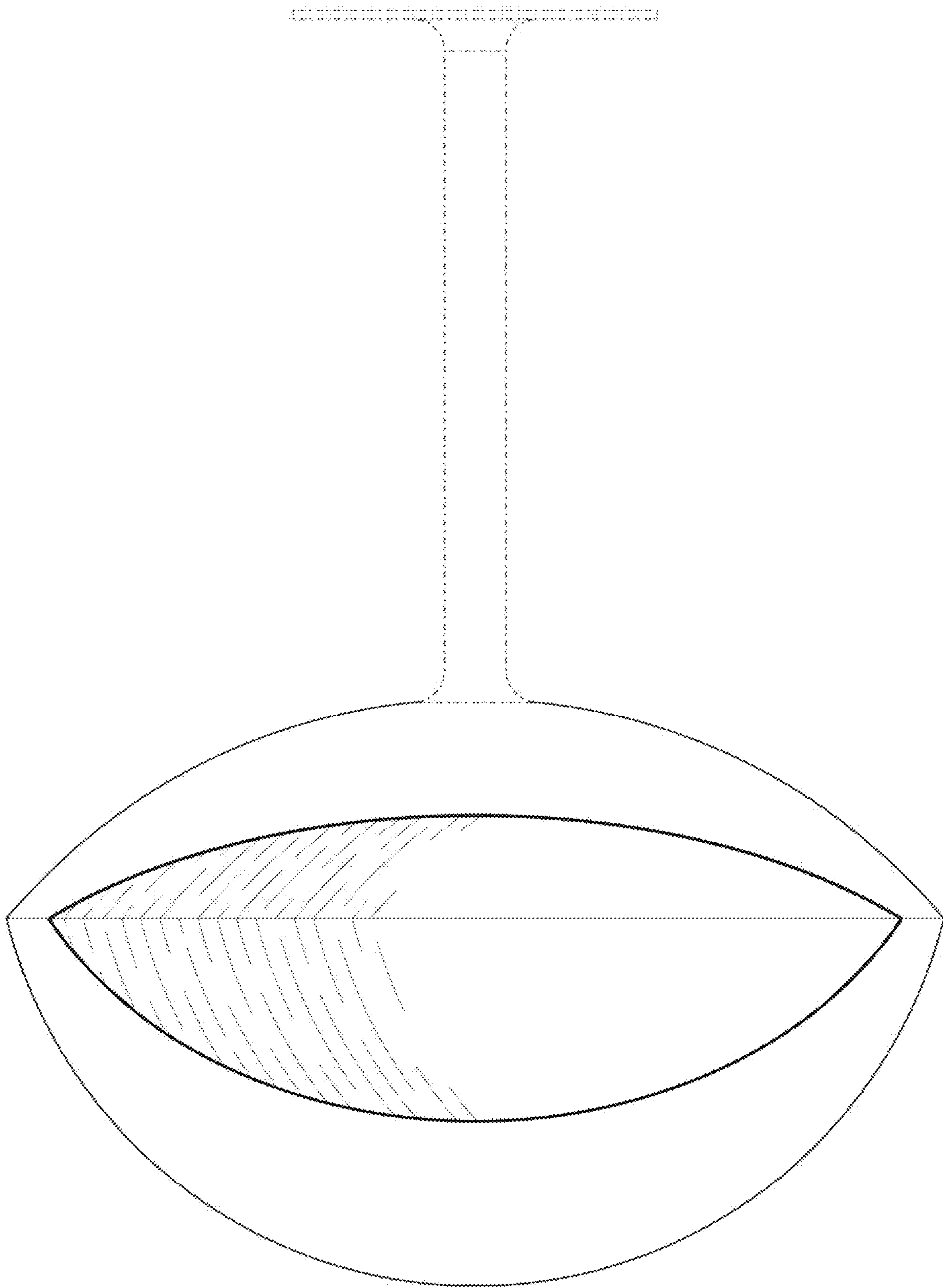


FIG. 8

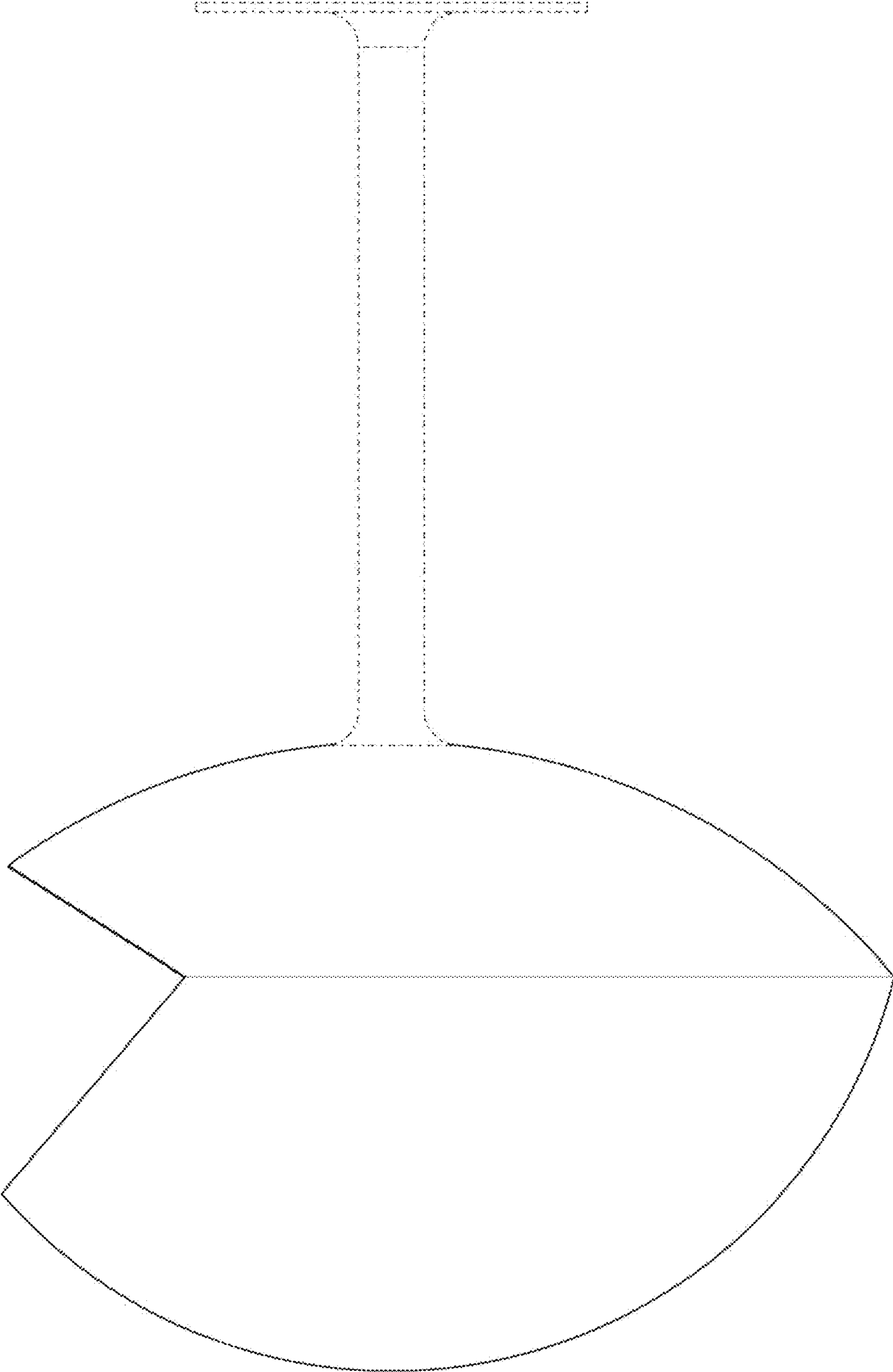


FIG. 9

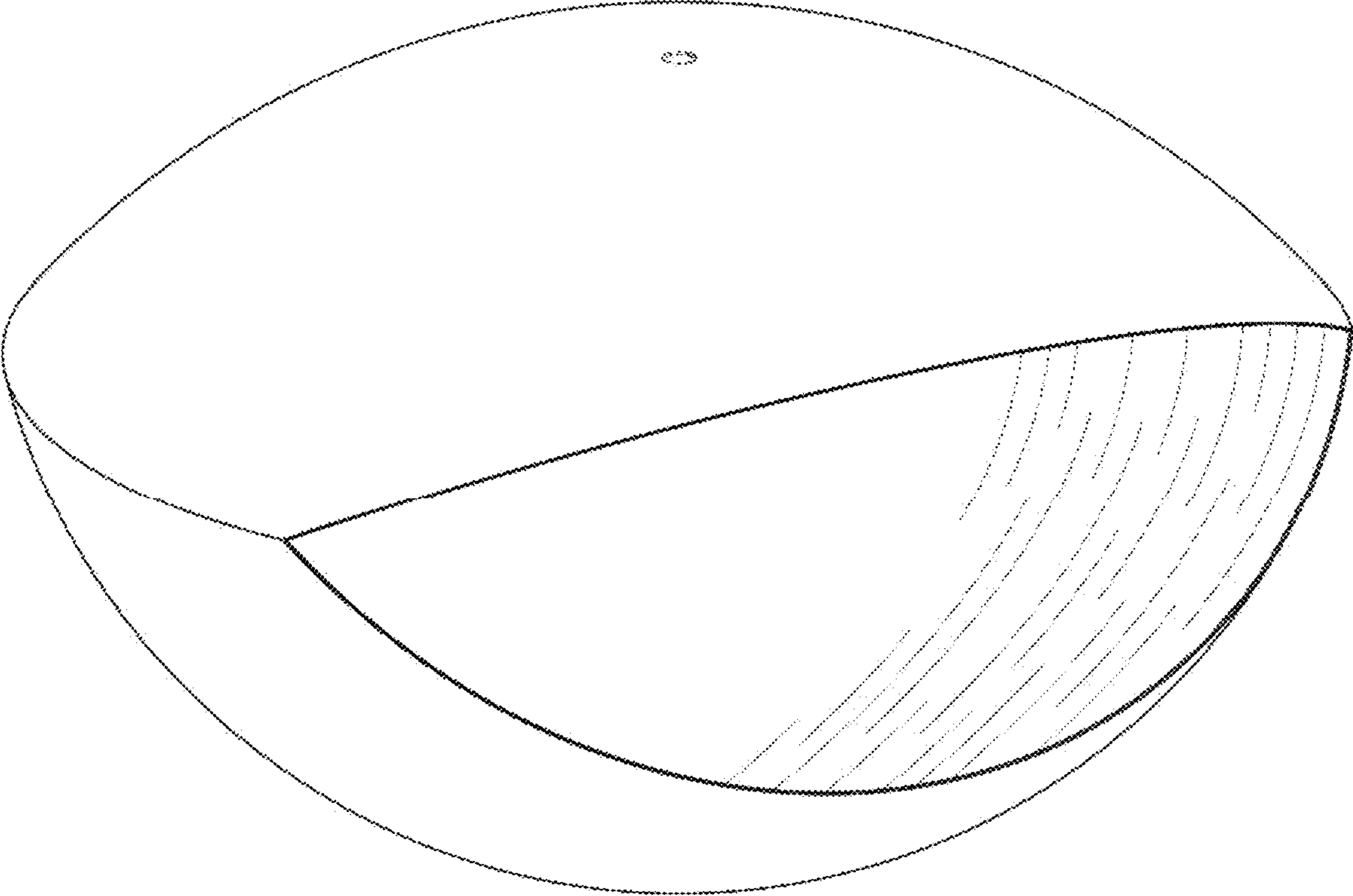


FIG. 10

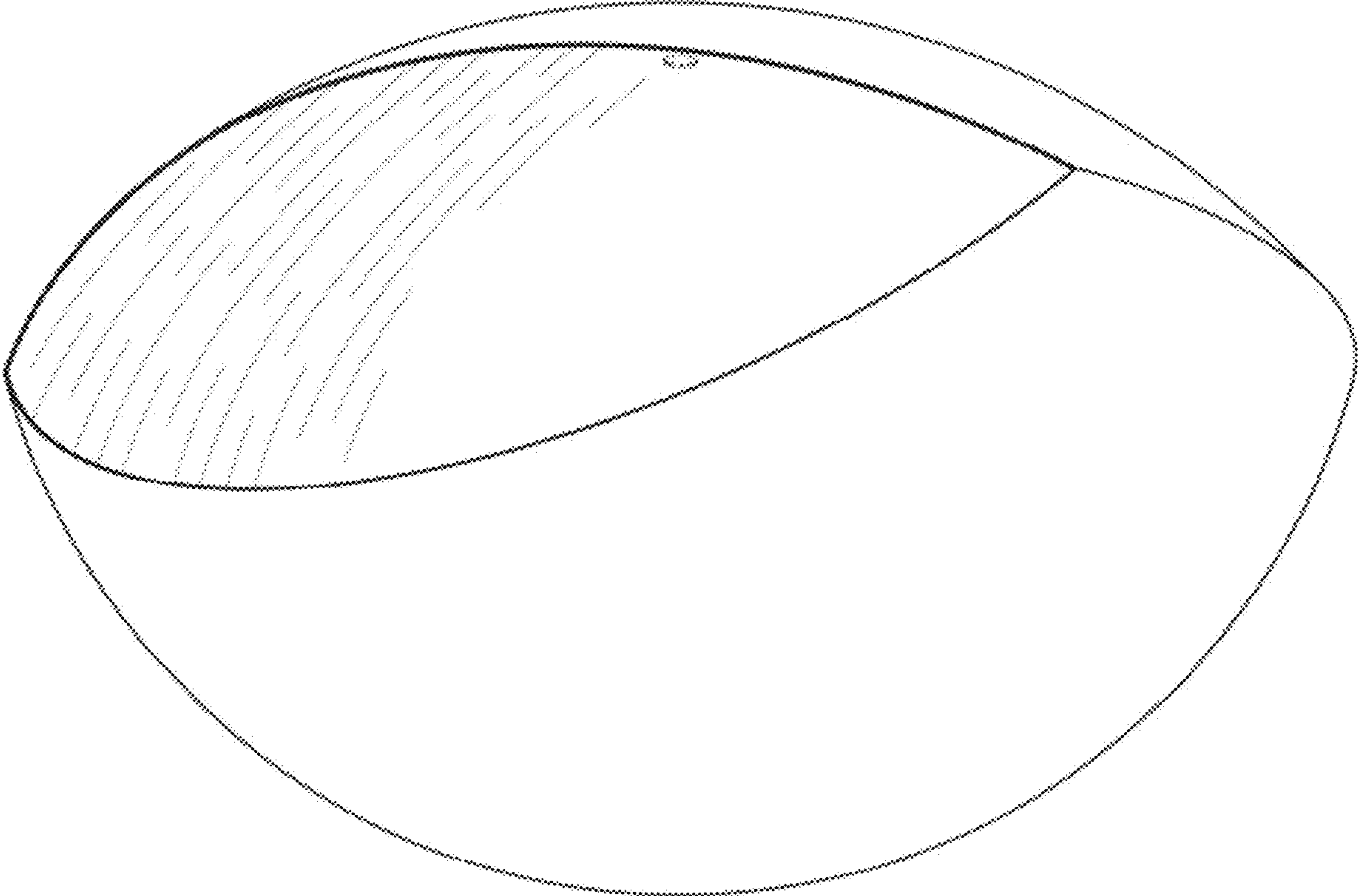


FIG. 11