



US00D985106S

(12) **United States Design Patent** (10) **Patent No.:** **US D985,106 S**  
**Tang** (45) **Date of Patent:** **\*\* May 2, 2023**

(54) **WARM FAN**  
(71) Applicant: **Xiaofeng Tang**, Hunan (CN)  
(72) Inventor: **Xiaofeng Tang**, Hunan (CN)  
(\*\*) Term: **15 Years**

D954,247 S \* 6/2022 Zhao ..... D23/370  
D965,133 S \* 9/2022 Wei ..... D23/370  
2015/0132160 A1\* 5/2015 Ha ..... F04D 29/522  
417/410.1

\* cited by examiner

*Primary Examiner* — Ania Aman

(21) Appl. No.: **29/805,673**

(22) Filed: **Aug. 27, 2021**

(51) **LOC (14) Cl.** ..... **23-03**

(52) **U.S. Cl.**  
USPC ..... **D23/332**

(58) **Field of Classification Search**  
USPC ..... D23/314, 317, 318, 332, 333, 334, 335,  
D23/336, 337, 338, 339, 340, 355, 356,  
D23/359, 364, 378, 370  
CPC ..... F24H 3/00; F24H 3/0411; F24H 3/0417;  
F24H 9/0063; F24H 9/0073; F24H 9/02;  
F24H 3/082; F24H 9/2071; F24H 3/002;  
F24H 3/02; F24H 3/04; F04D 17/04;  
F04D 25/08; F04D 25/10; F04D 5/00;  
H05B 3/008; F24D 15/02; F24D 19/0087;  
F24D 19/06; F24D 19/1084  
See application file for complete search history.

(56) **References Cited**

**U.S. PATENT DOCUMENTS**

D539,401 S \* 3/2007 Bucher ..... D23/335  
D722,374 S \* 2/2015 Lewis ..... D23/332

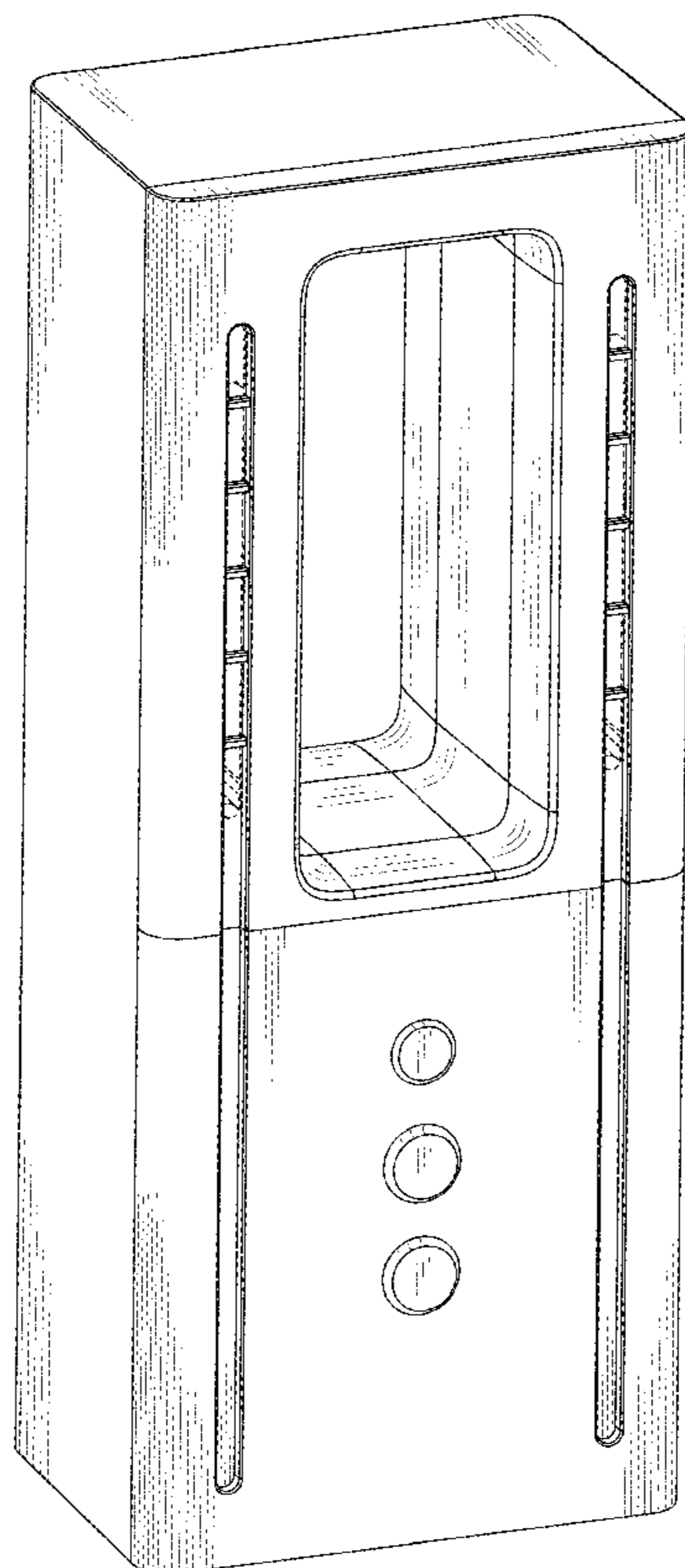
(57) **CLAIM**

The ornamental design for a warm fan, as shown and described.

**DESCRIPTION**

FIG. 1 is a perspective view of a warm fan showing my new design;  
FIG. 2 is a front elevation view thereof;  
FIG. 3 is a rear elevation view thereof;  
FIG. 4 is a left side elevation view thereof;  
FIG. 5 is a right side elevation view thereof;  
FIG. 6 is a top plan view thereof;  
FIG. 7 is a bottom plan view thereof; and,  
FIG. 8 is a rear, left, bottom side perspective view thereof.  
The broken lines in the drawings depict portions of the warm fan that form no part of the claimed design.

**1 Claim, 8 Drawing Sheets**



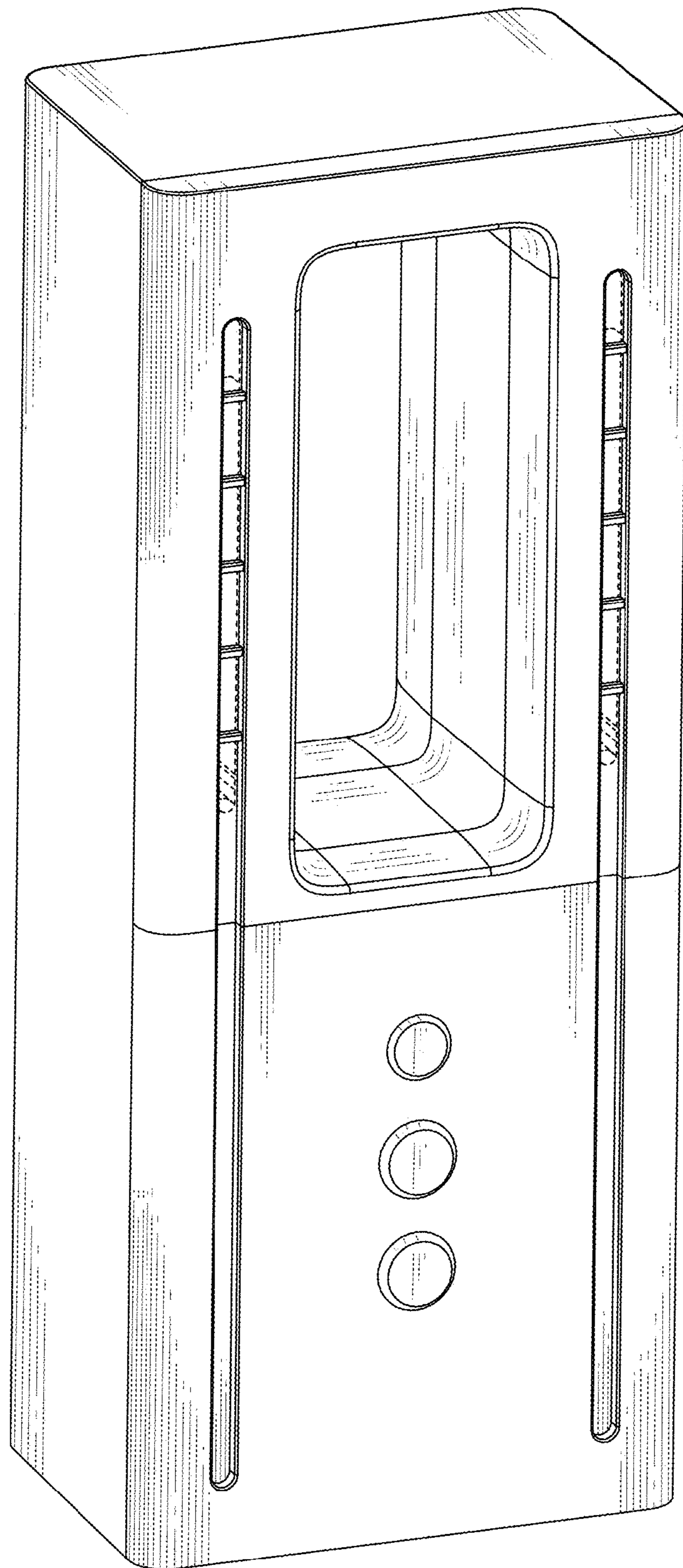


FIG. 1

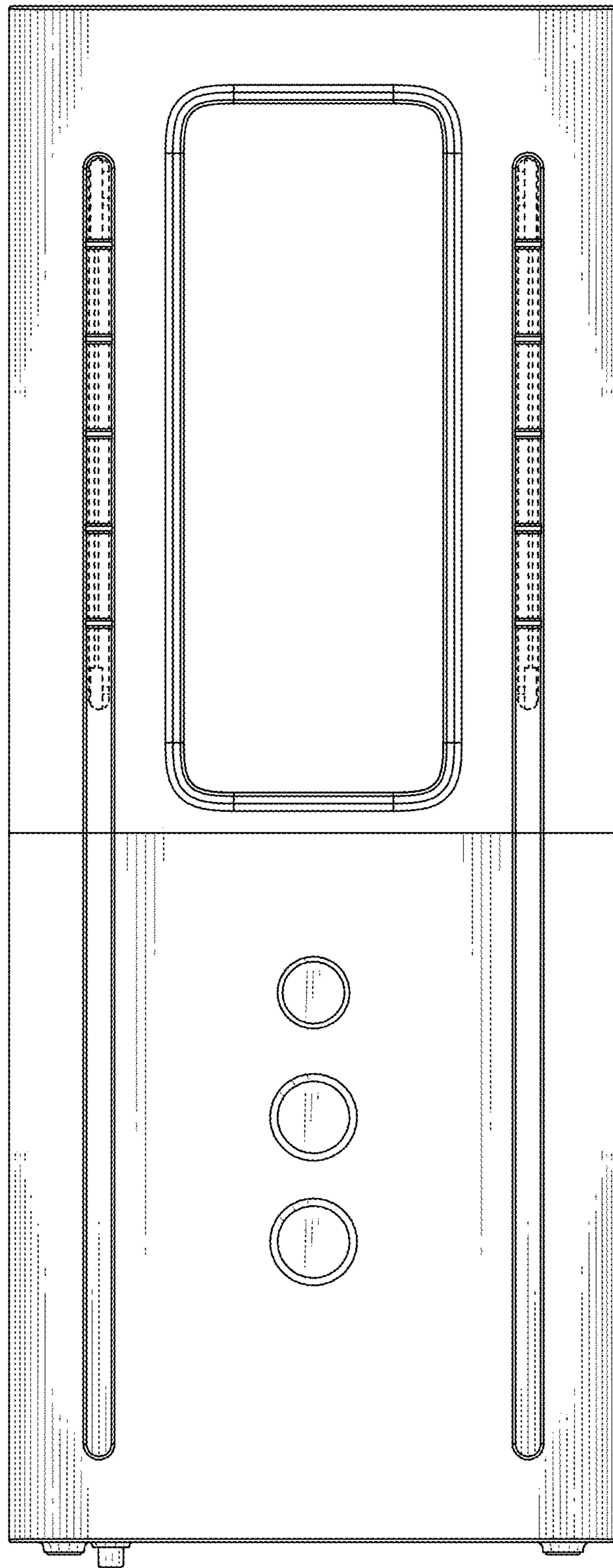


FIG. 2

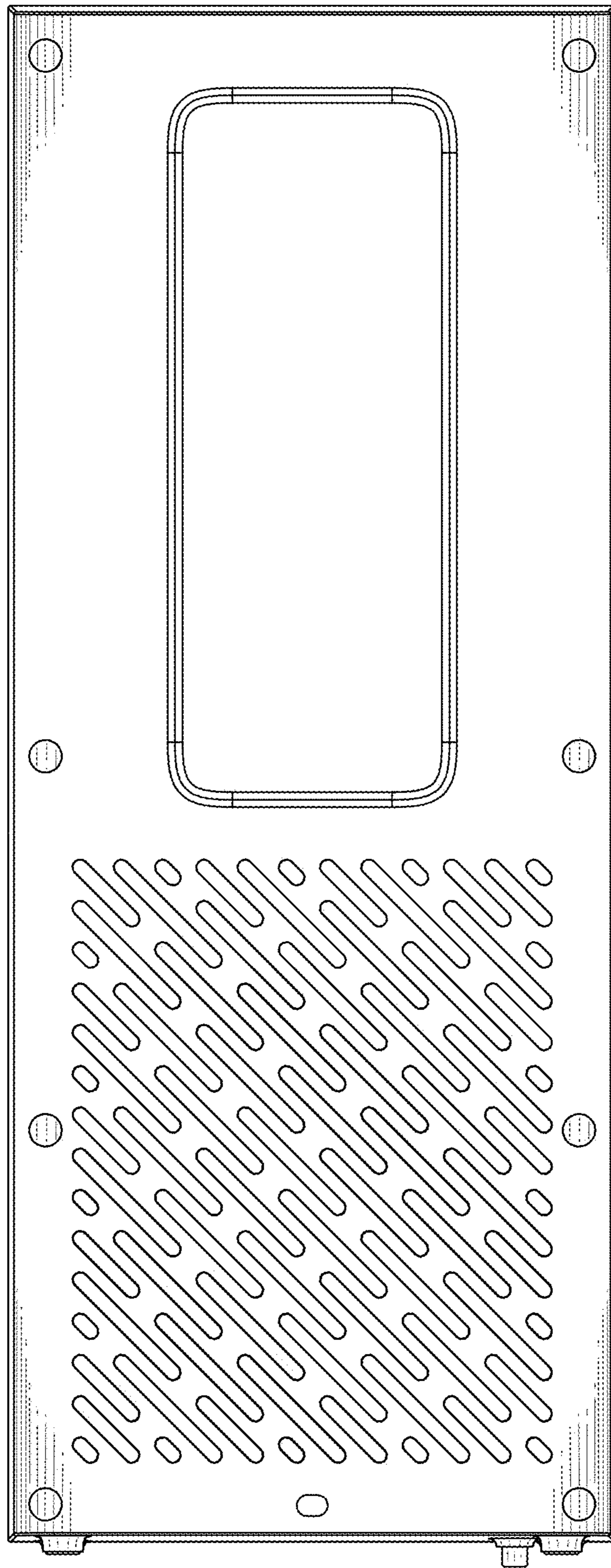


FIG. 3

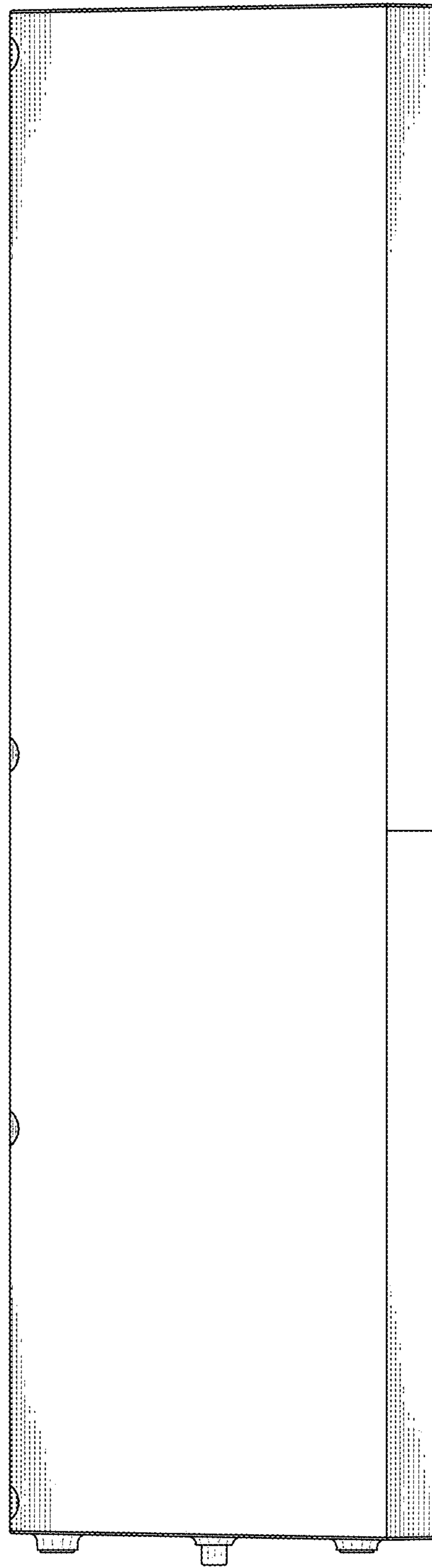


FIG. 4

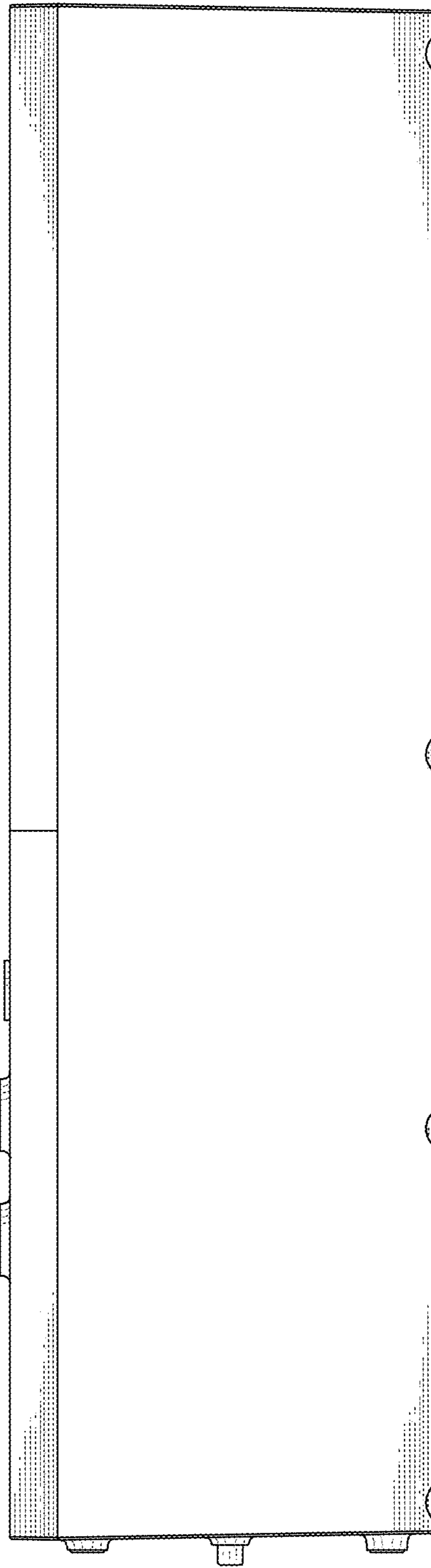


FIG. 5

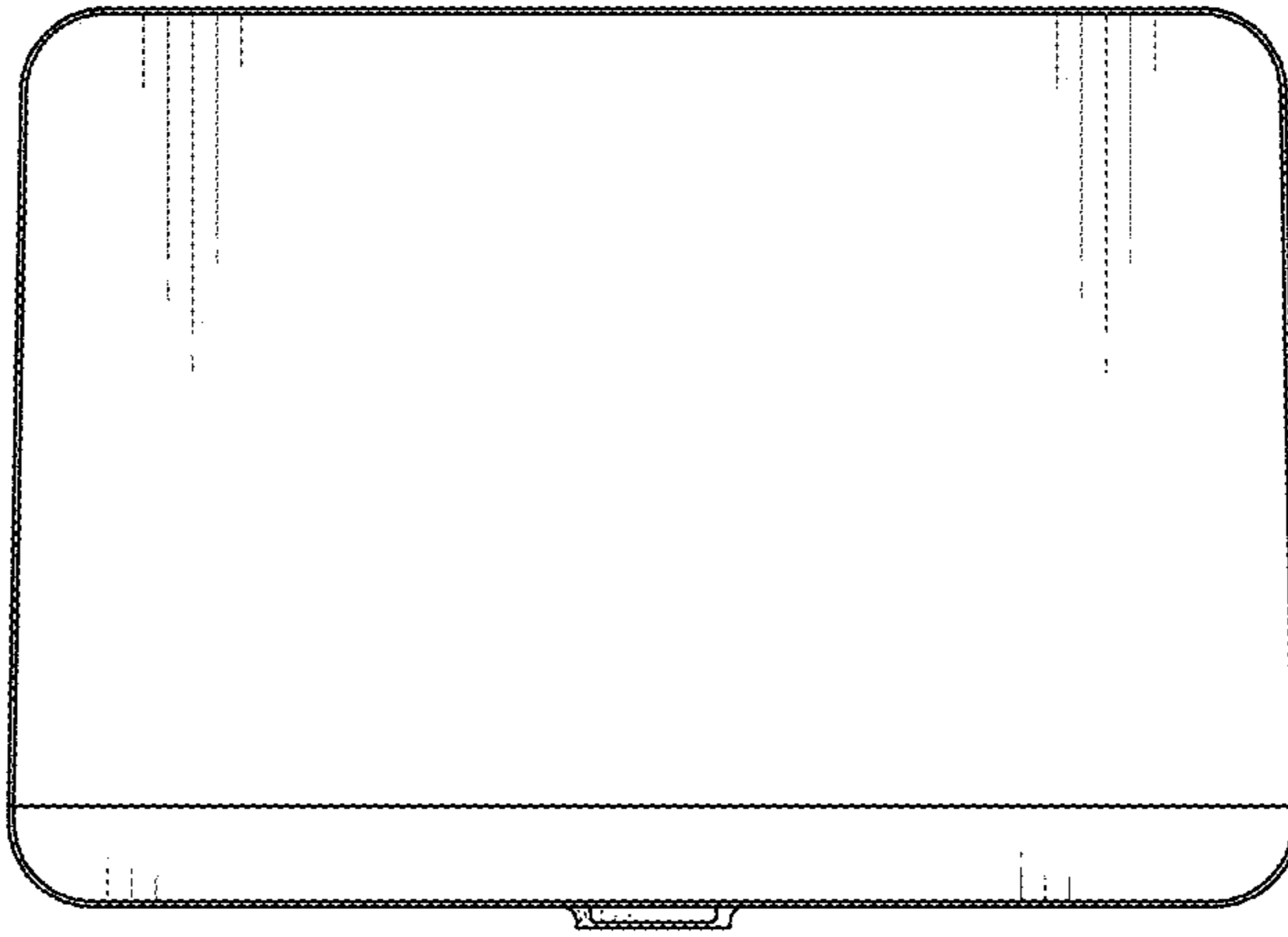


FIG. 6

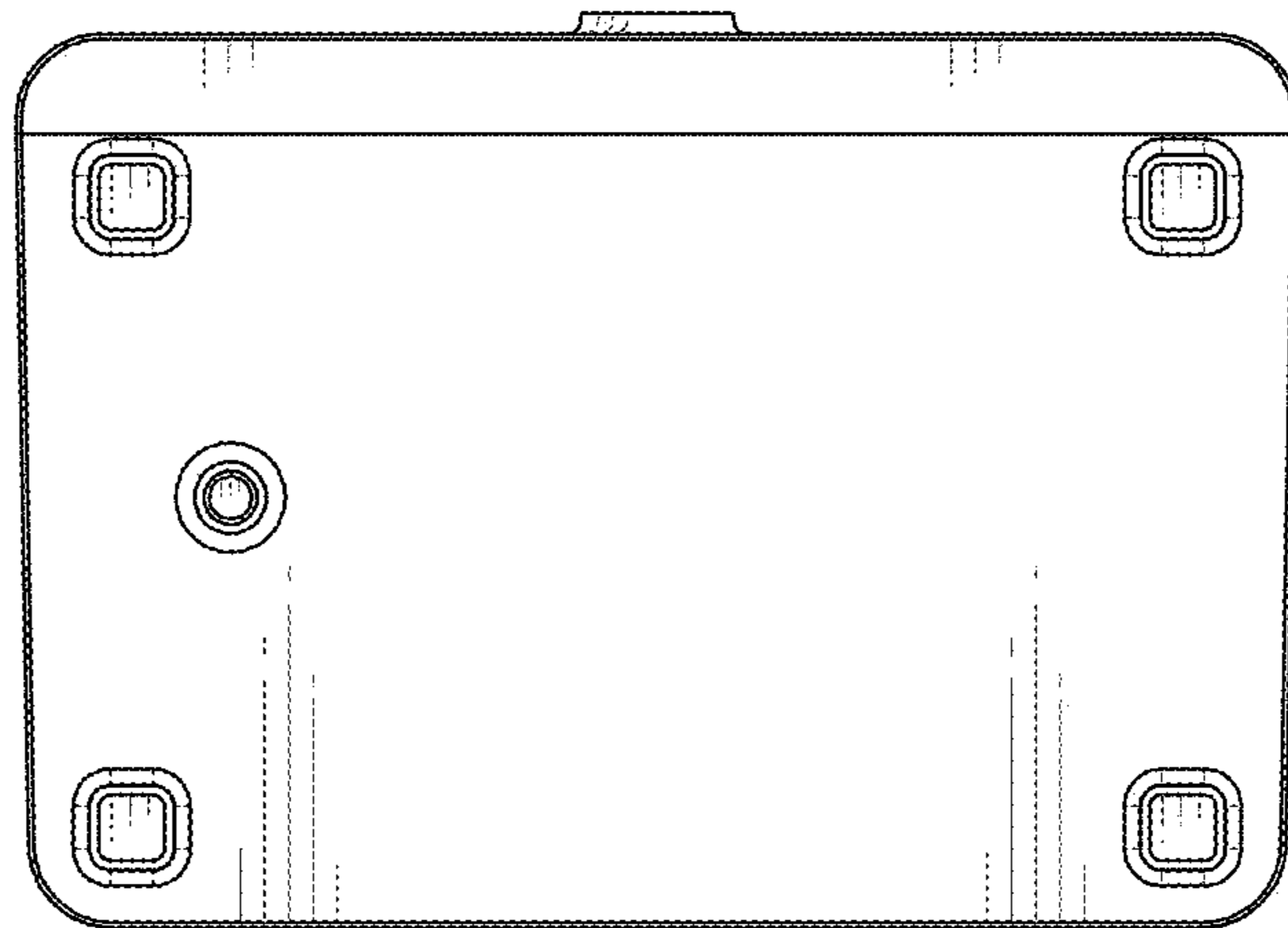


FIG. 7



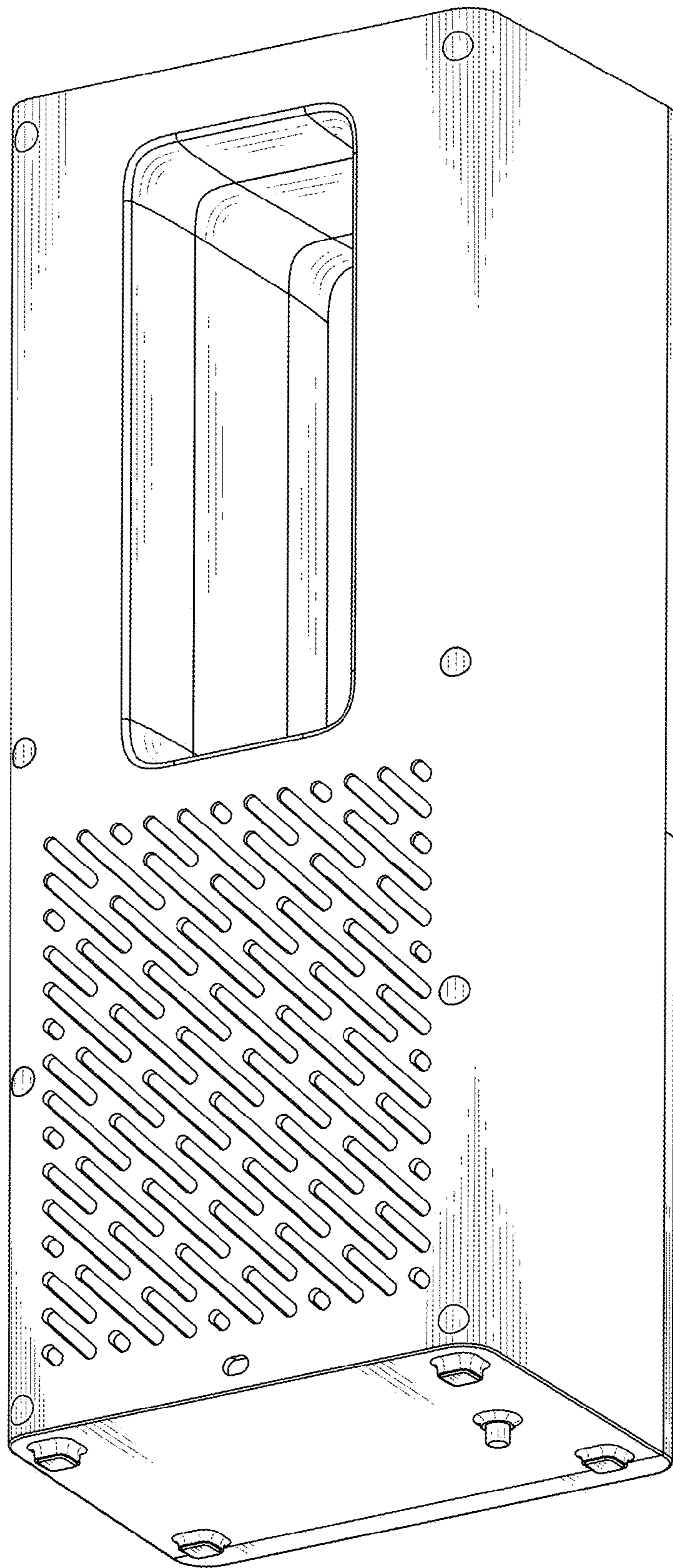


FIG. 8