



US00D985104S

(12) **United States Design Patent** (10) **Patent No.:** **US D985,104 S**
Stetson (45) **Date of Patent:** **** May 2, 2023**

(54) **THREADED COUPLING FOR A WATER SYSTEM**

D921,157 S * 6/2021 Moffett, III D23/237
D961,738 S * 8/2022 Gardner D24/129
D967,932 S * 10/2022 Truong D23/235
2010/0104396 A1* 4/2010 Hama F16L 15/06
470/10

(71) Applicant: **Stetson Development, Inc.**, Canyon Lake, CA (US)

(Continued)

(72) Inventor: **Michael A. Stetson**, Canyon Lake, CA (US)

OTHER PUBLICATIONS

(73) Assignee: **Stetson Development, Inc.**, Canyon Lake, CA (US)

Stetson 1/2" Float Valve for Swimming Pools, Ponds, & Water Features; Internet Archive Wayback Date May 16, 2022; Visited Online Oct. 25, 2022; <https://poualid.com/stetson-float-valves/stetson-1-2-float-valve-for-swimming-pools-ponds-water-features> (Year: 2022).*

(**) Term: **15 Years**

(Continued)

(21) Appl. No.: **29/716,335**

(22) Filed: **Dec. 9, 2019**

Primary Examiner — Amy C Wierenga

(51) **LOC (14) Cl.** **23-01**

(74) *Attorney, Agent, or Firm* — Stetina Brunda Garred and Brucker

(52) **U.S. Cl.**

USPC **D23/262**

(58) **Field of Classification Search**

USPC D23/233–237, 244–249, 259, 262, D23/234–235, 264–265; D8/382, 387, D8/397, 399; D15/140

CPC F16L 37/091

See application file for complete search history.

(57) **CLAIM**

The ornamental design for a threaded coupling for a water system, as shown and described.

DESCRIPTION

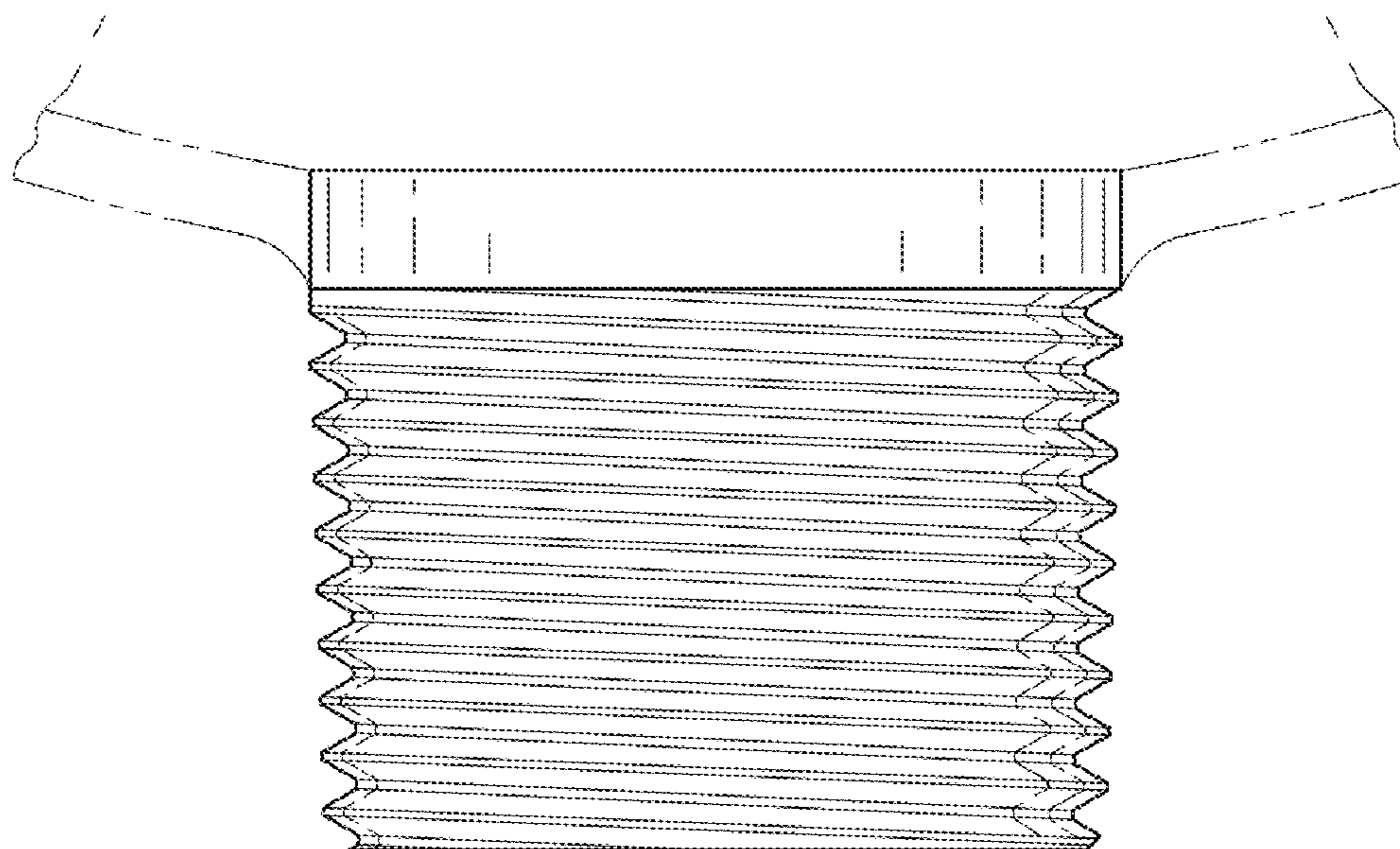
(56) **References Cited**

U.S. PATENT DOCUMENTS

4,796,650 A * 1/1989 Hwang F16K 31/26
137/448
D368,131 S * 3/1996 Stone, III D23/236
D383,378 S * 9/1997 Schrader D23/262
D587,341 S * 2/2009 Stetson D23/233
D596,268 S * 7/2009 Stetson D23/233
D724,699 S * 3/2015 Wyne D23/259
D752,720 S * 3/2016 Wyne D23/259
D787,648 S * 5/2017 Smith D23/259
D788,886 S * 6/2017 Salzer D23/259
D855,781 S * 8/2019 Delancey D23/259
D857,179 S * 8/2019 Thompson D23/259

FIG. 1 is top plan view of a threaded coupling for a water system of the present invention showing my new design; FIG. 2 is a front elevational view thereof; FIG. 3 is a side elevational view thereof; FIG. 4 is a rear elevational view thereof; FIG. 5 is a cross-sectional view taken at line 5-5 of FIG. 2; and, FIG. 6 is a cross-sectional view thereof shown in a position of use within environmental subject matter. The dash-dot-dot-dash broken lines shown in FIGS. 1-5 depict environment only that forms no part of the claim. The evenly dashed broken lines in FIG. 6 illustrate environmental subject matter that forms no part of the claim.

1 Claim, 3 Drawing Sheets



(56)

References Cited

U.S. PATENT DOCUMENTS

2011/0219531 A1* 9/2011 Walsh E04H 4/169
4/507
2012/0055563 A1* 3/2012 Stetson B05B 17/08
137/41

OTHER PUBLICATIONS

Stetson Development Inc Pool Pond Spa Leveler PVC Auto Fill 3/8" Float Valve; Earliest Review (with Image) Date Apr. 30, 2015; Visited Online Oct. 25, 2022; https://www.amazon.com/Stetson-Development-Inc-Water-Leveler/dp/B005SHHT11/ref=psdc_3238155011_t1_B00B93O1WU?th=1 (Year: 2015).*

Aquascape 88006 PRO Economy Compact Water Fill Valve; Earliest Amazon Review Date Jul. 23, 2015; Visited Online Oct. 25, 2022; https://www.amazon.com/Aquascape-88006-Economy-Compact-Water/dp/B00B93O1WU/ref=psdc_3238155011_t2_B005SHHT11 (Year: 2015).*

Stetson Development, Inc.; "Pouralid Automatic Water Level System"; Oct. 8, 2019; 1 page.

* cited by examiner

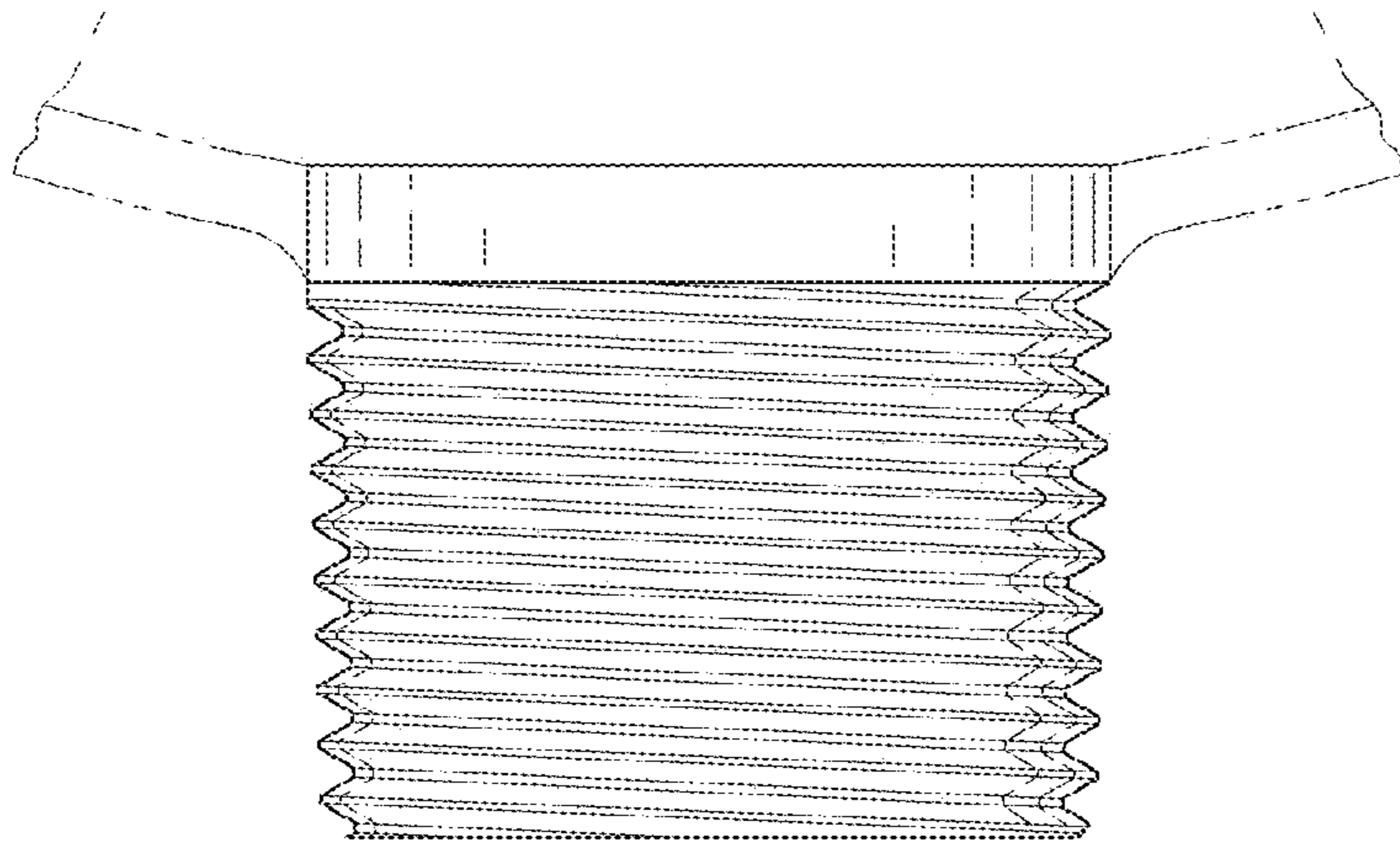


FIG. 1

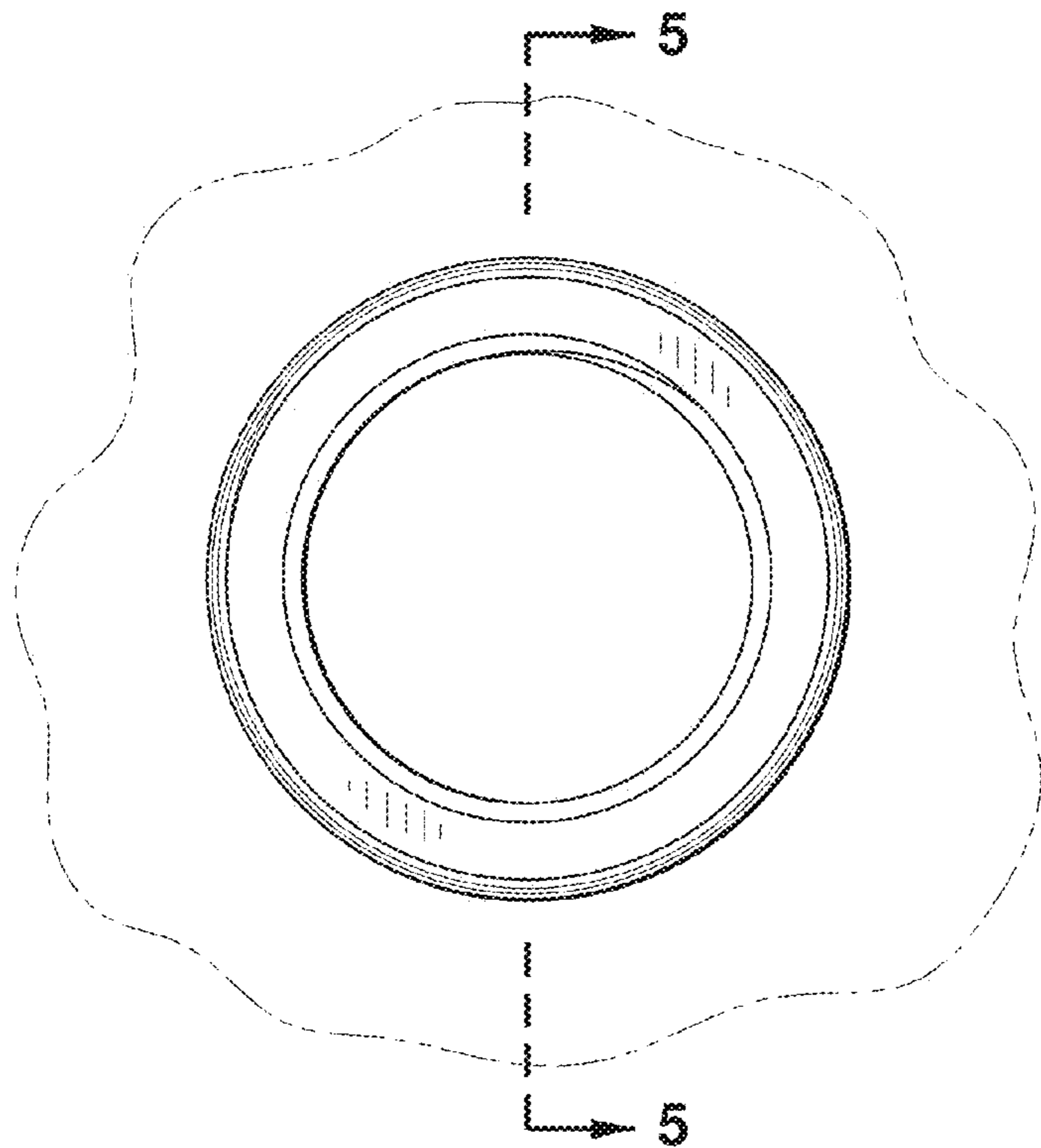


FIG. 2

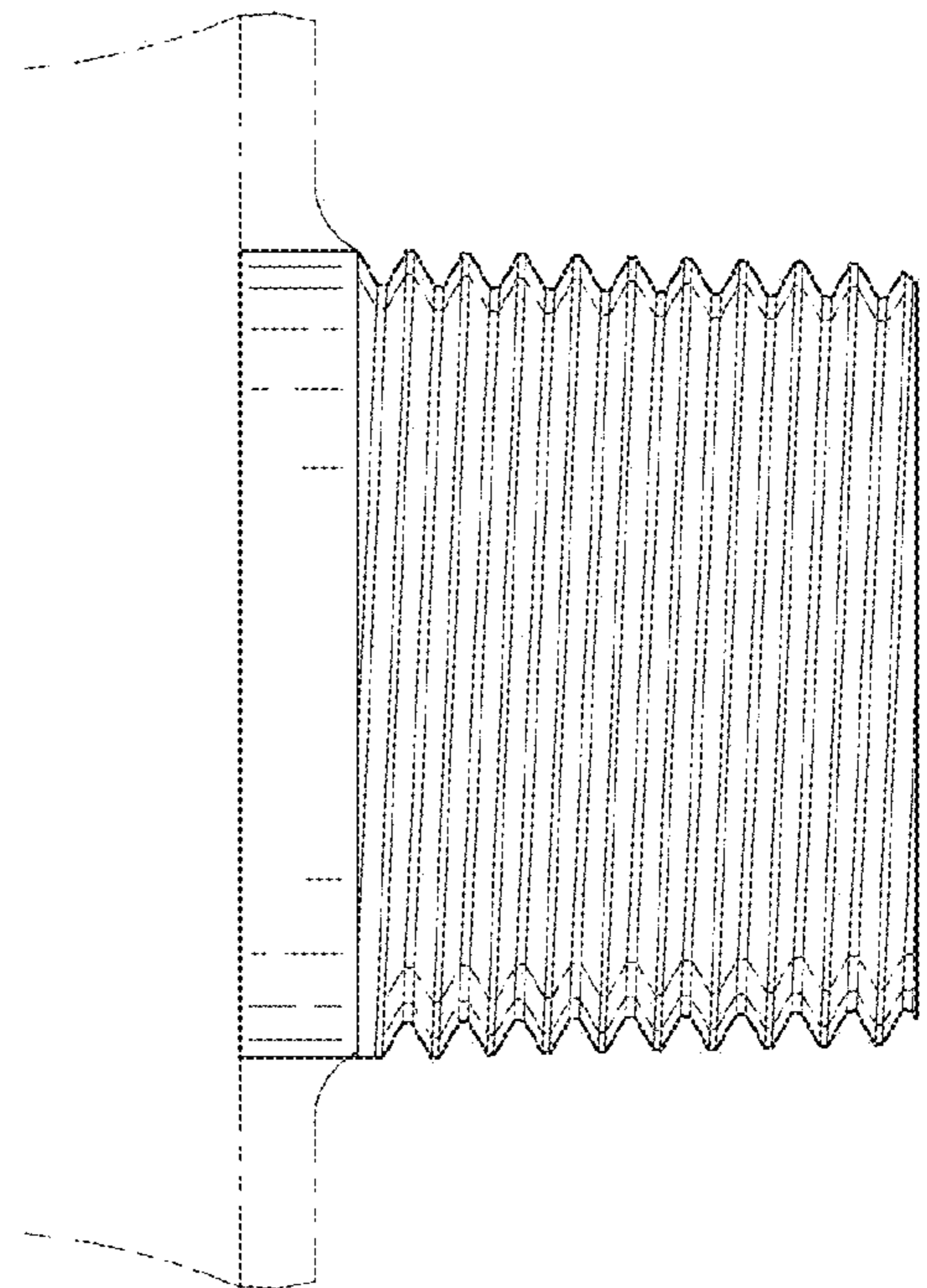


FIG. 3

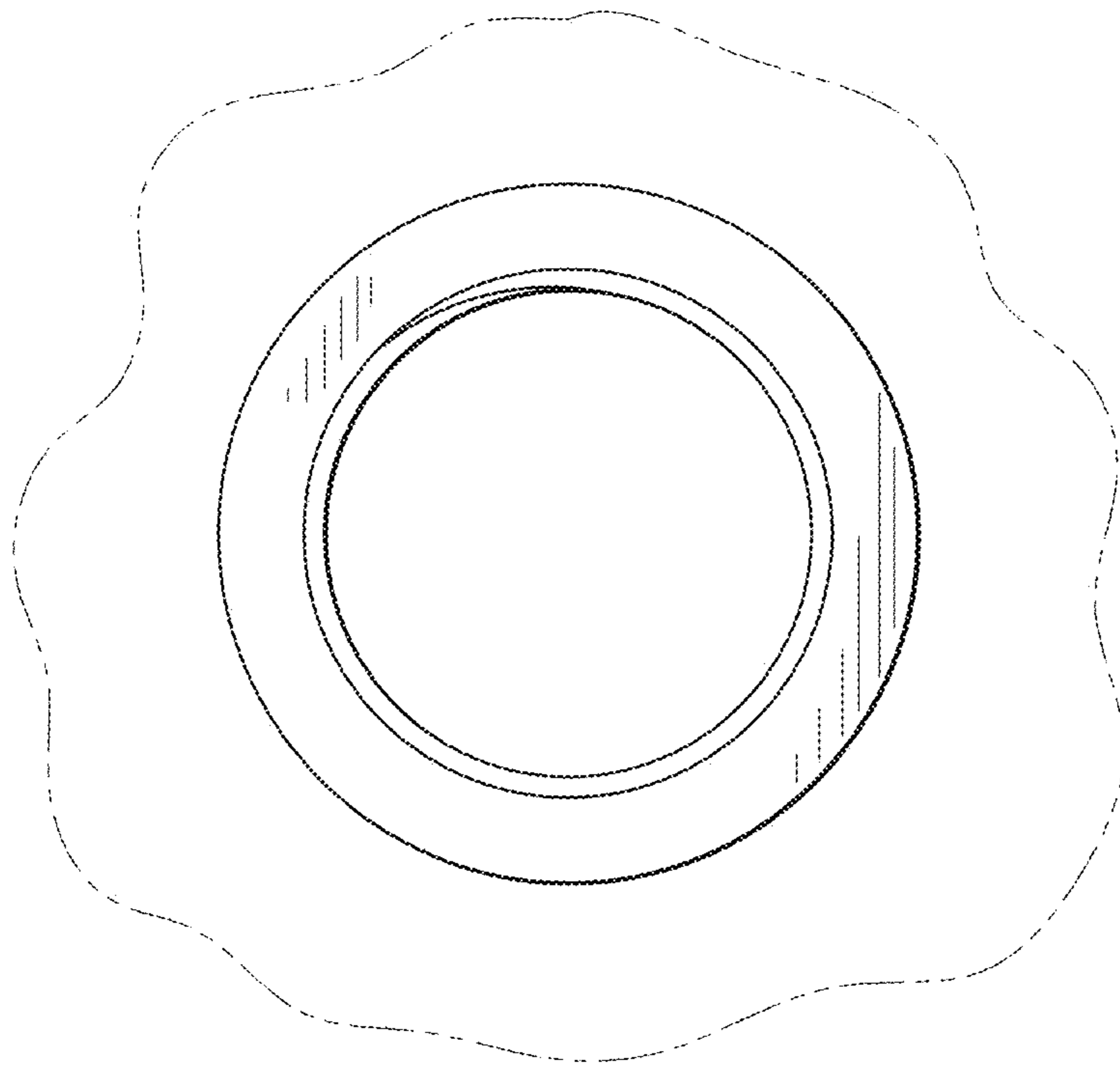


FIG. 4

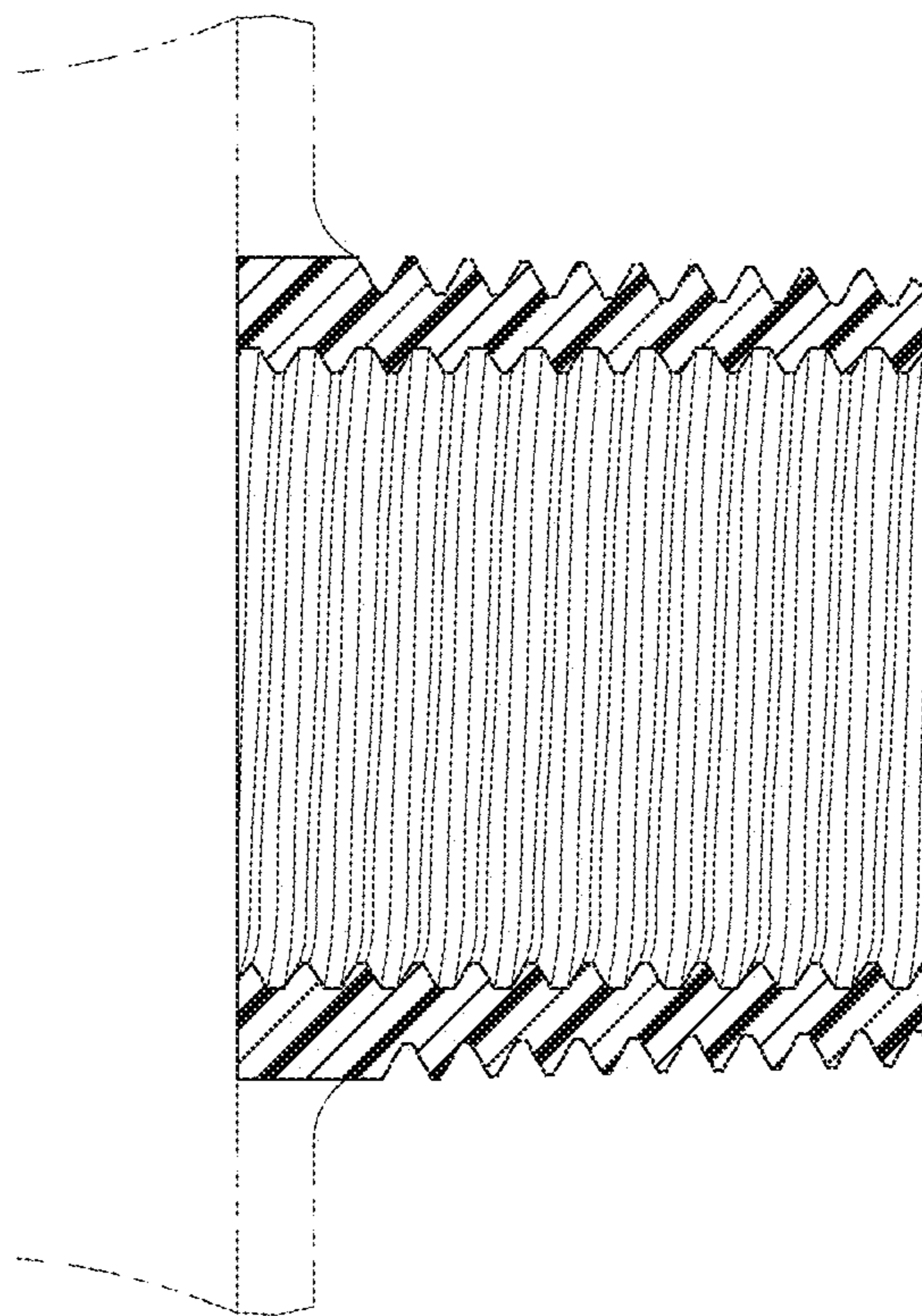


FIG. 5

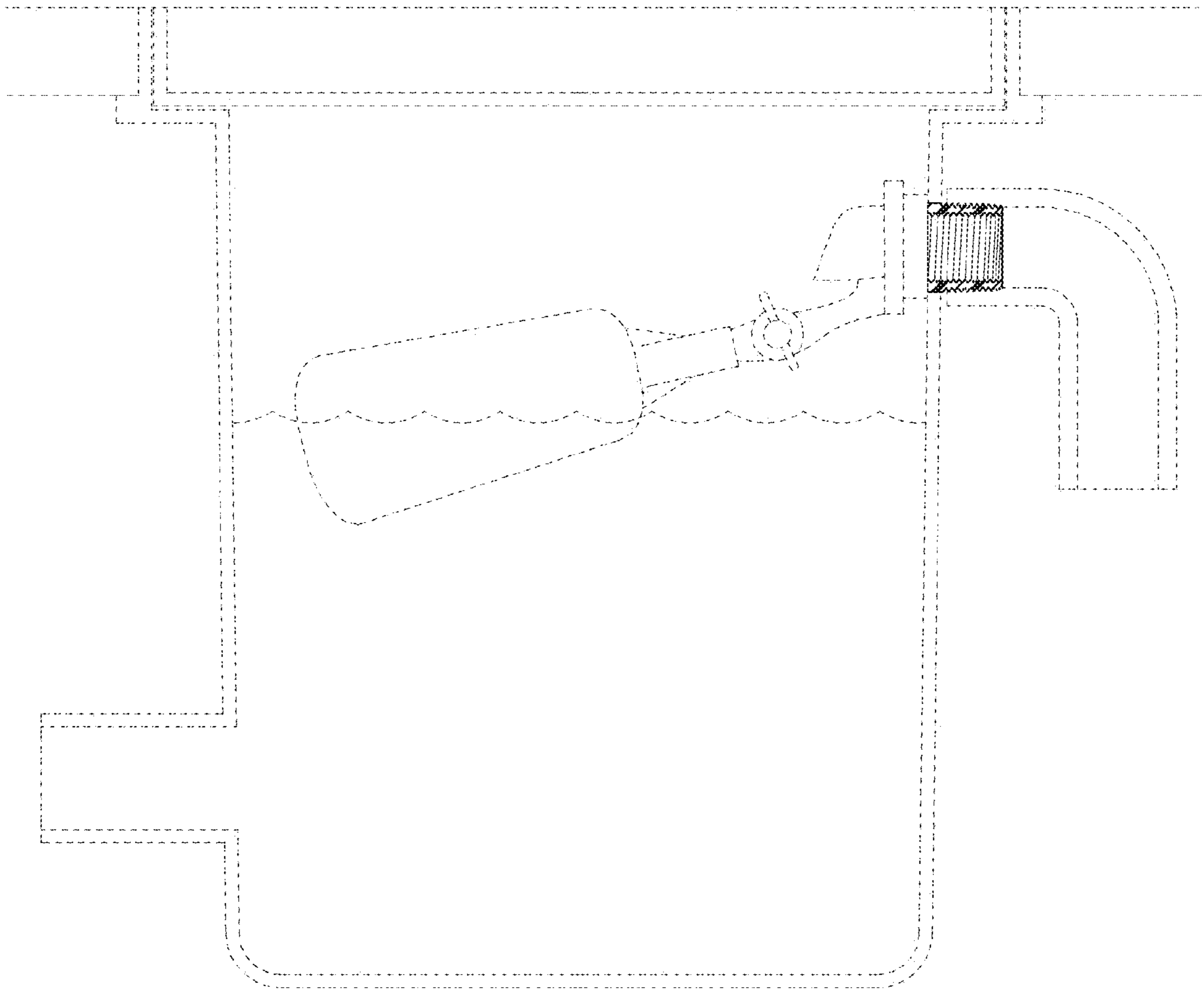


FIG. 6