



US00D985102S

(12) **United States Design Patent** (10) **Patent No.:** **US D985,102 S**
Vítek et al. (45) **Date of Patent:** **** May 2, 2023**

(54) **VENTILATION VALVE**

(71) Applicant: **GOTTSCHOL ALCUILUX CZ, SPOL. S R.O.,** Hulín (CZ)

(72) Inventors: **František Vítek, Otrokovice (CZ); Pavel Páleník, Hulín (CZ)**

(**) Term: **15 Years**

(21) Appl. No.: **35/514,045**

(22) Filed: **Feb. 22, 2022**

(80) **Hague Agreement Data**

Int. Filing Date: **Feb. 22, 2022**
Int. Reg. No.: **DM/219925**
Int. Reg. Date: **Feb. 22, 2022**
Int. Reg. Pub. Date: **Apr. 15, 2022**

(51) **LOC (14) Cl.** **23-01**

(52) **U.S. Cl.**
USPC **D23/249**

(58) **Field of Classification Search**
USPC D23/233, 235, 247, 248, 249, 260
CPC F16K 1/36; F16K 11/087
See application file for complete search history.

(56) **References Cited**

U.S. PATENT DOCUMENTS

D690,391 S * 9/2013 Garm D23/233
D750,749 S * 3/2016 Penkkimäki D23/233

D825,721 S * 8/2018 Penkkimäki D23/249
D841,779 S * 2/2019 Penkkimäki D23/249
11,085,502 B2 * 8/2021 Hulstein F16F 9/342
2021/0129390 A1 * 5/2021 Penkkimäki F16K 15/063

* cited by examiner

Primary Examiner — Gino Colan

(74) *Attorney, Agent, or Firm* — Rumit R. Kanakia

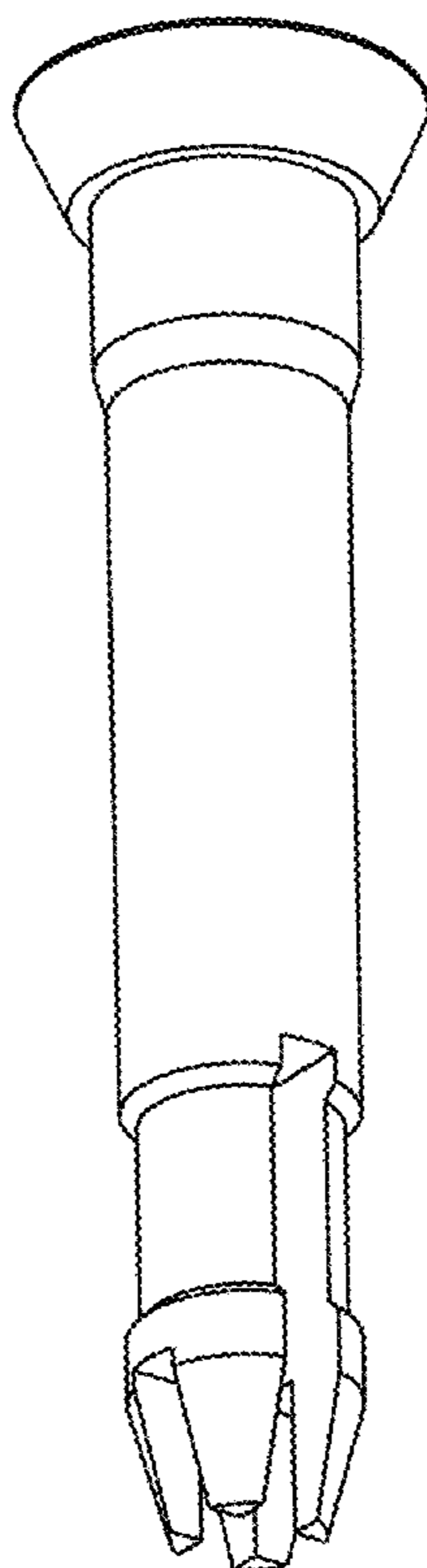
(57) **CLAIM**

The ornamental design for a ventilation valve, as shown and described.

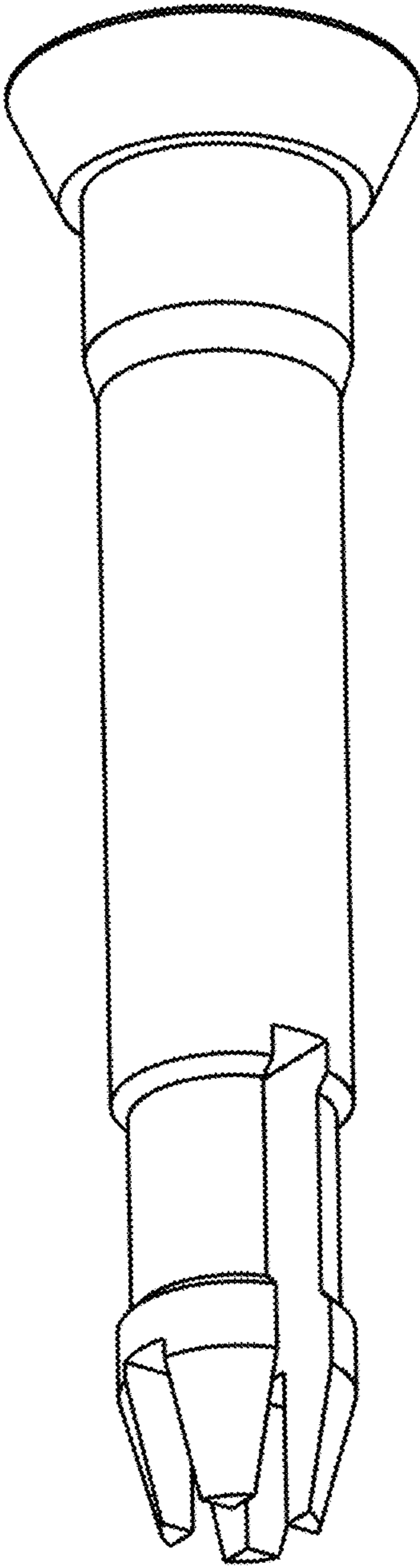
DESCRIPTION

1. Ventilation valve
2. Ventilation valve
Figure 1.1 of a first embodiment of a ventilation valve showing our new design;
Figure 1.2 is another perspective view thereof is another perspective view thereof;
Figure 1.3 is a front elevation view thereof, the rear elevation view being the minor image of Figure 1.3;
Figure 1.4 is side elevation view thereof, the other side elevation view being the mirror image of Figure 1.4;
Figure 2.1 of a second embodiment of a ventilation valve showing our new design;
Figure 2.2 is another perspective view thereof is another perspective view thereof;
Figure 2.3 is a front elevation view thereof, the rear elevation view being the minor image of Figure 2.3; and
Figure 2.4 is side elevation view thereof, the other side elevation view being the mirror image of Figure 2.4.

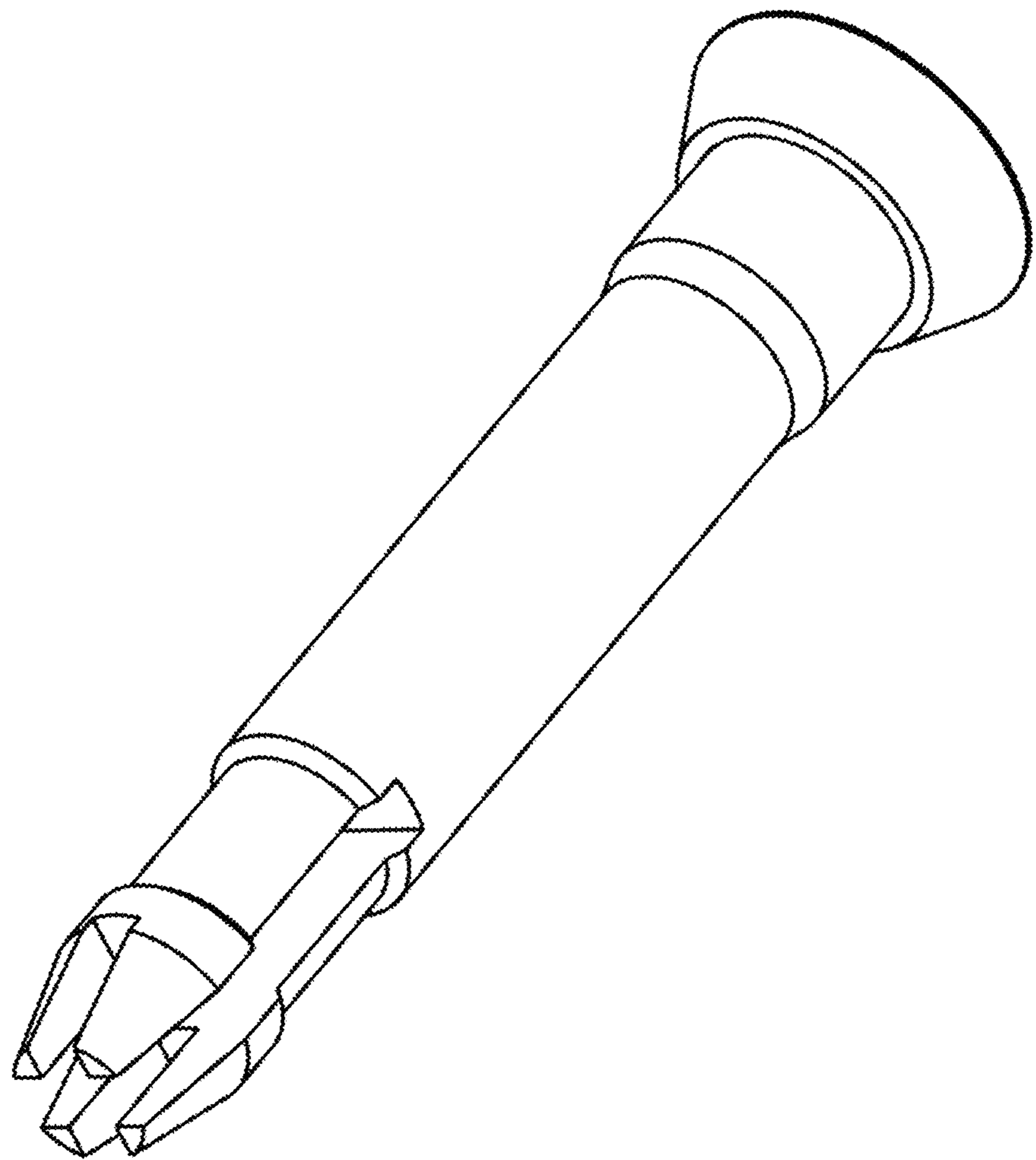
1 Claim, 8 Drawing Sheets



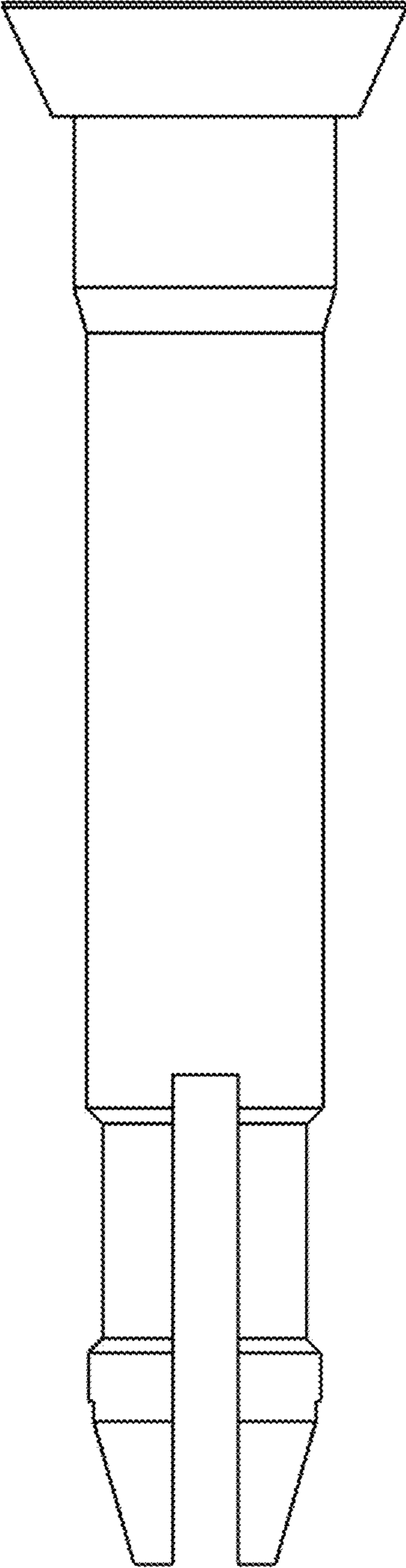
1.1



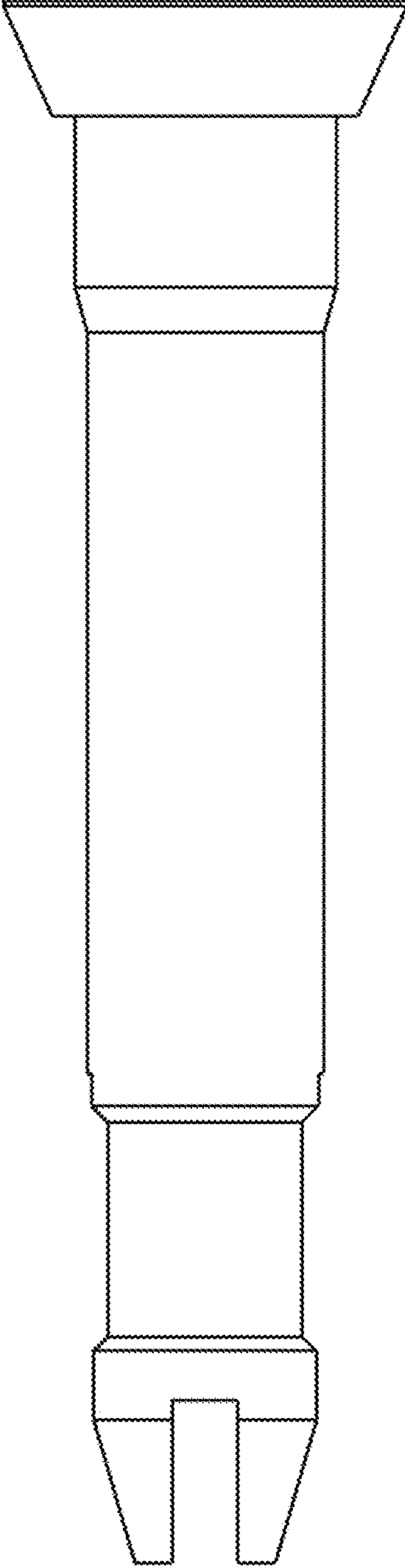
1.2



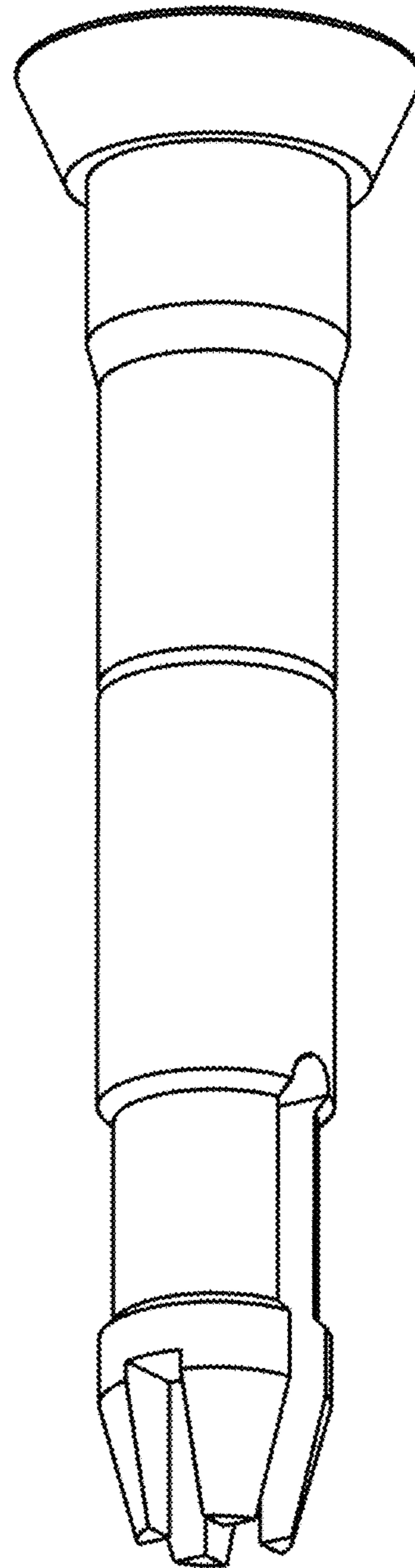
1.3



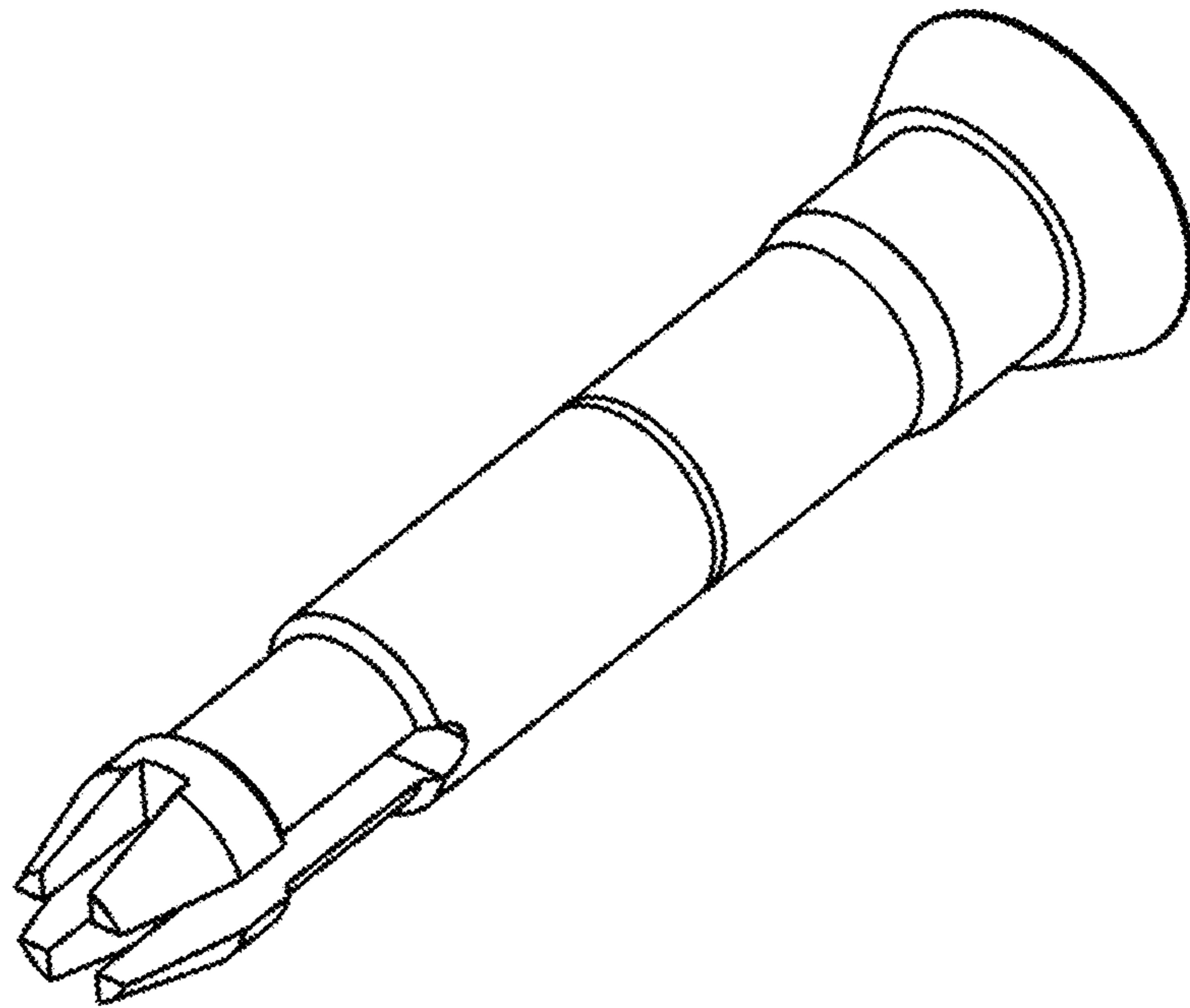
1.4



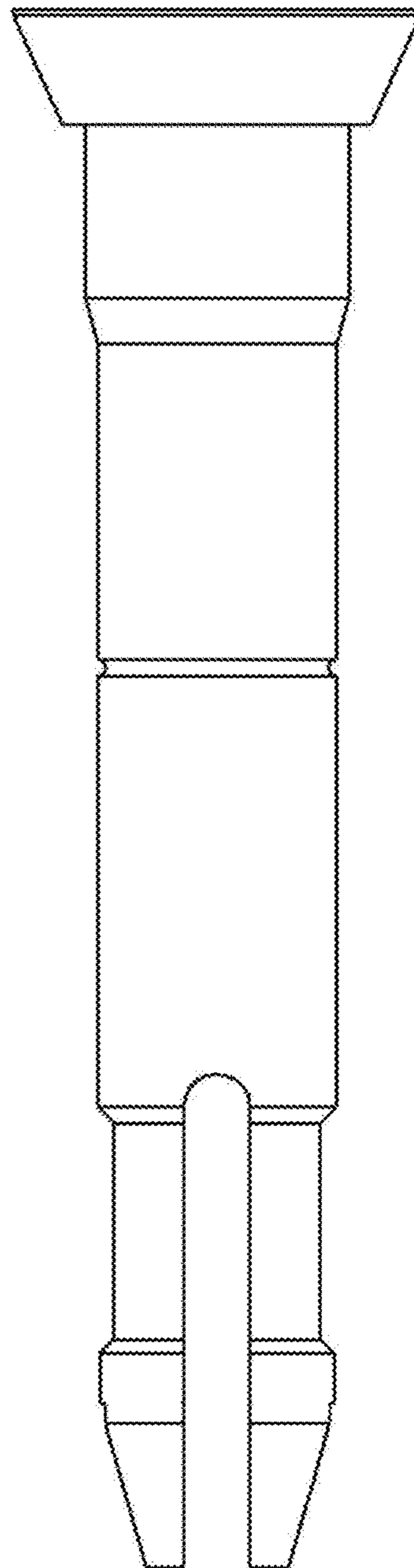
2.1



2.2



2.3



2.4

