



US00D985101S

(12) **United States Design Patent** (10) **Patent No.:** **US D985,101 S**
Schramski et al. (45) **Date of Patent:** **** May 2, 2023**

(54) **MOLDED CONNECTION PANEL**

* cited by examiner

(71) Applicant: **B&B MOLDERS, LLC**, Mishawaka, IN (US)

Primary Examiner — Gino Colan
(74) *Attorney, Agent, or Firm* — Harness, Dickey & Pierce, P.L.C.; Stephen T. Olson

(72) Inventors: **Adam Schramski**, Granger, IN (US);
Mike Dittrich, Granger, IN (US);
Brian Shinabarger, Elkhart, IN (US);
Brad Murphey, Osceola, IN (US)

(57) **CLAIM**

(73) Assignee: **B&B Molders, LLC**, Mishawaka, IN (US)

The ornamental design for a molded connection panel, as shown and described.

(**) Term: **15 Years**

DESCRIPTION

(21) Appl. No.: **29/744,616**

(22) Filed: **Jul. 30, 2020**

(51) **LOC (14) Cl.** **23-01**

(52) **U.S. Cl.**
USPC **D23/249**

(58) **Field of Classification Search**
USPC D23/249, 269, 304; D14/432, 434, 439;
D8/343

CPC E03C 1/1222; E03C 1/01; E03C 1/021;
E03D 11/143

See application file for complete search history.

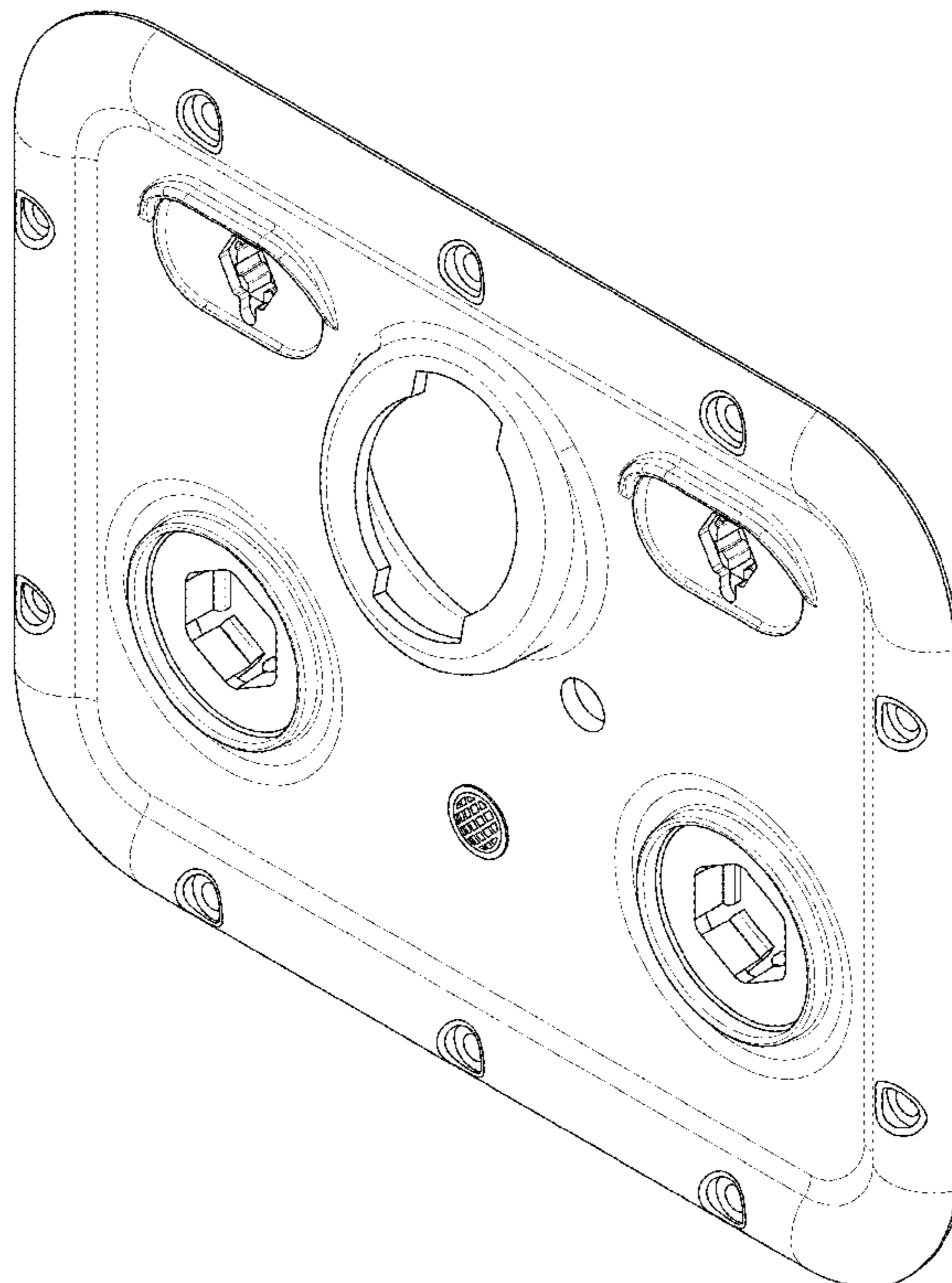
FIG. 1 is a front perspective view of a molded connection panel in accordance with our design.
FIG. 2 is a front view thereof.
FIG. 3 is a rear view thereof.
FIG. 4 is a bottom view thereof.
FIG. 5 is a top view thereof.
FIG. 6 is a right side view thereof.
FIG. 7 is a left side view thereof.
FIG. 8 is a sectional view taken along the line A-A of FIG. 2.
FIG. 9 is a sectional view taken along the line B-B of FIG. 2.
FIG. 10 is a sectional view taken along the line C-C of FIG. 2.
FIG. 11 is a sectional view taken along the line D-D of FIG. 2; and,
FIG. 12 is a sectional view taken along the line E-E of FIG. 2.

(56) **References Cited**

U.S. PATENT DOCUMENTS

D750,954 S *	3/2016	Murphey	D8/343
D764,638 S *	8/2016	Schramski	D23/249
D795,394 S *	8/2017	Schramski	D23/249
D943,712 S *	2/2022	Schramski	D23/249

1 Claim, 6 Drawing Sheets



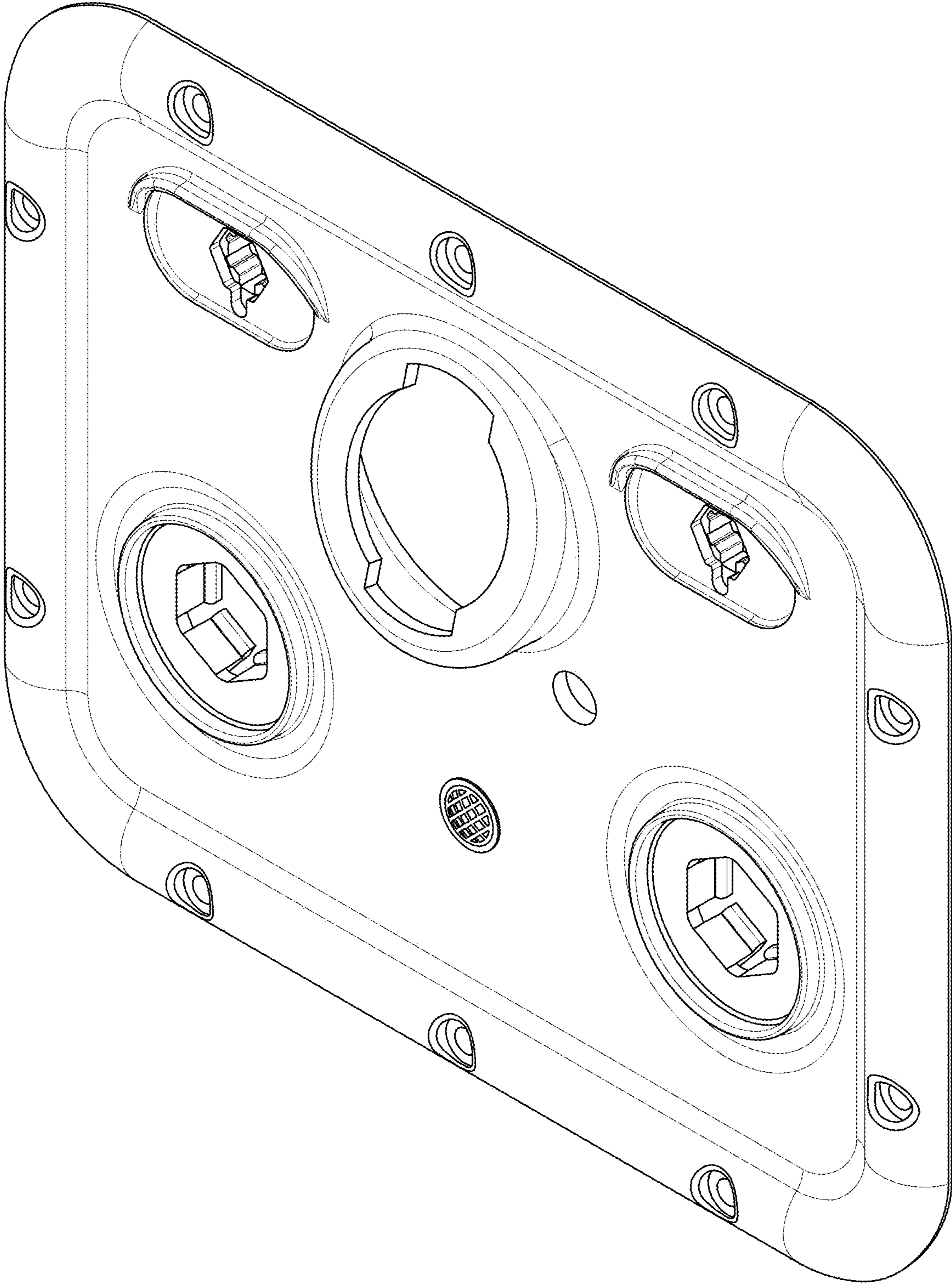


FIG. 1

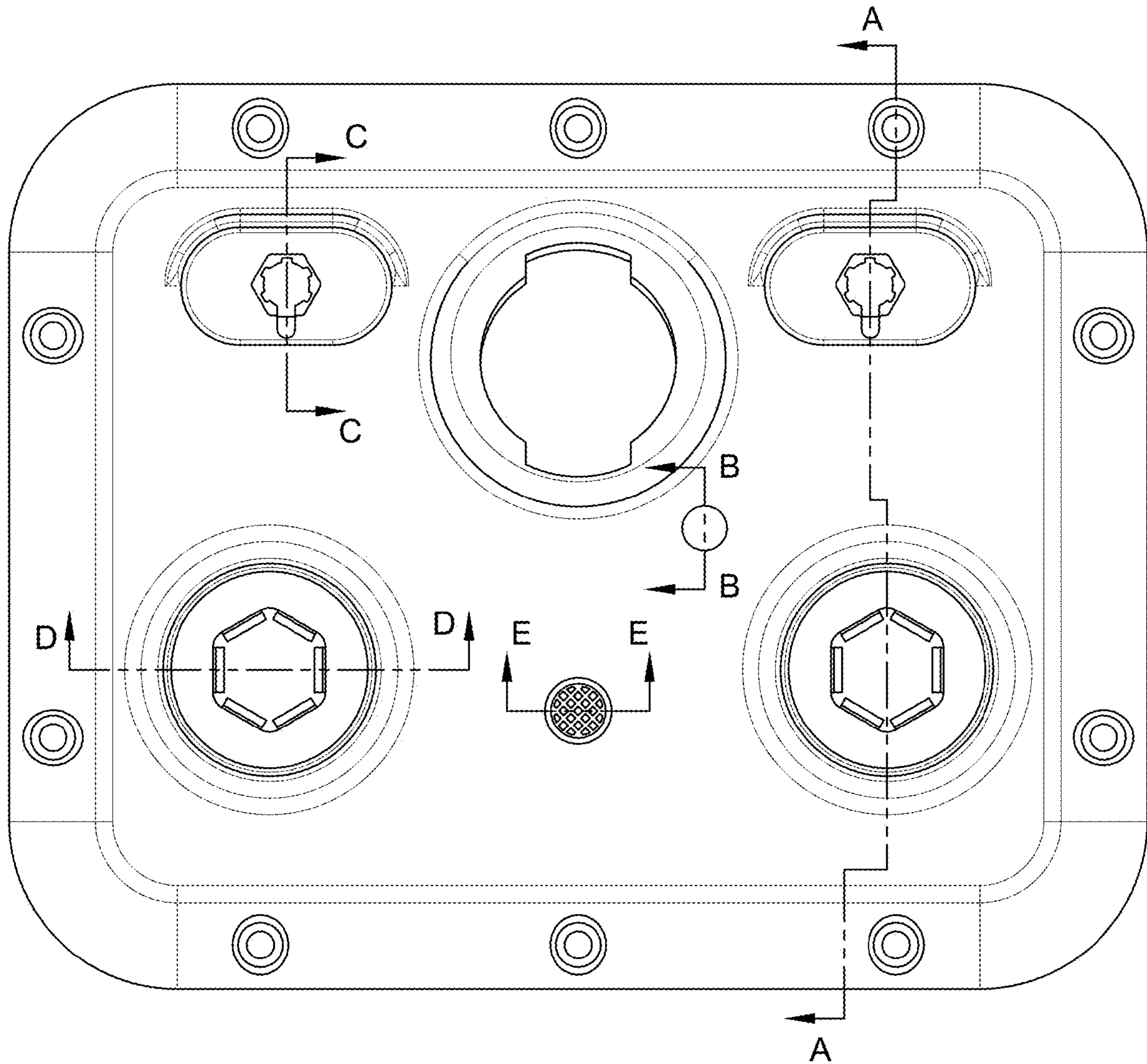


FIG. 2

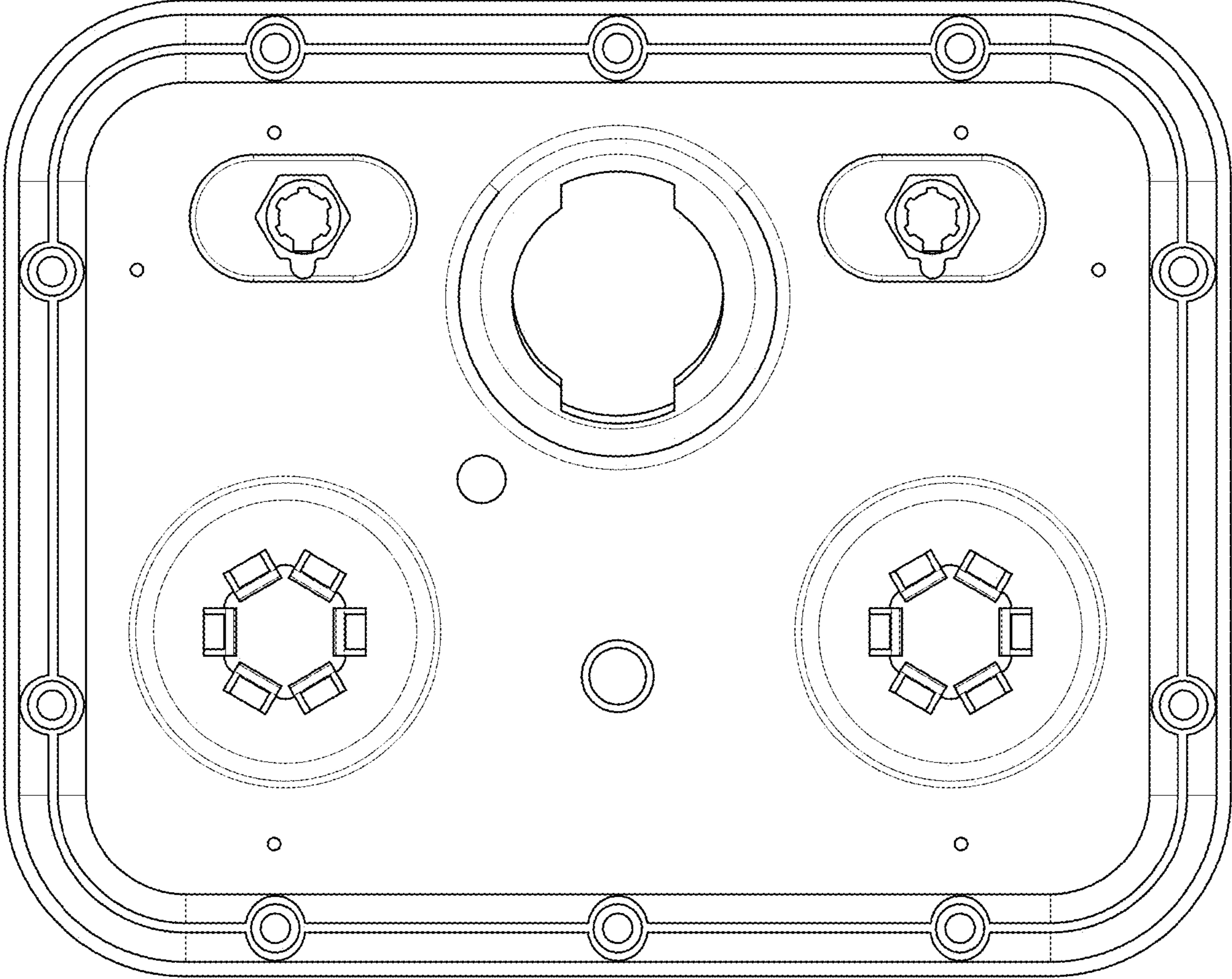


FIG. 3

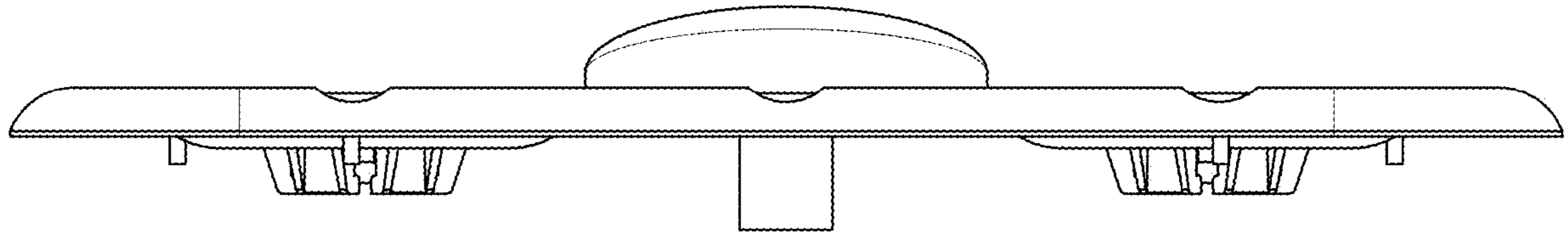


FIG. 4

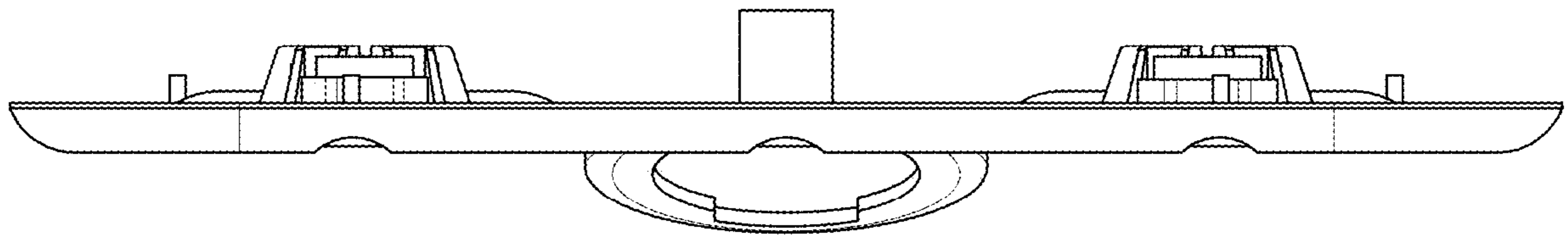


FIG. 5

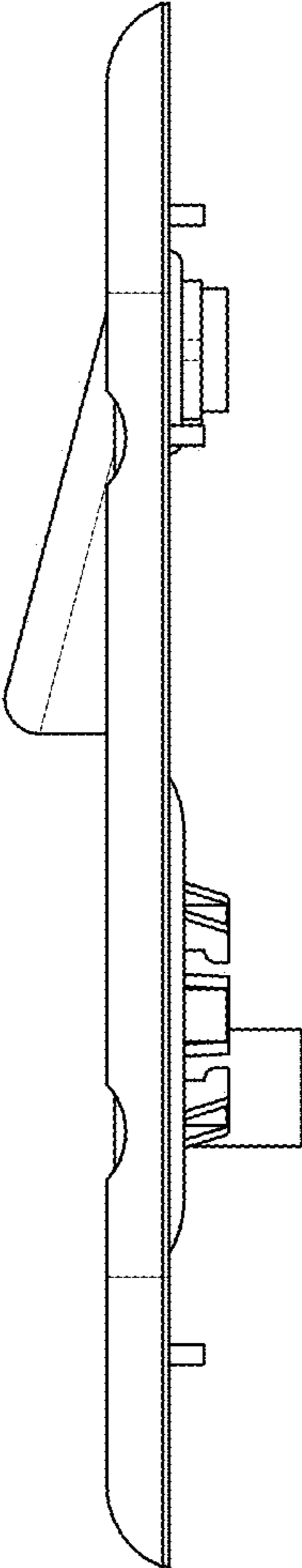


FIG. 6

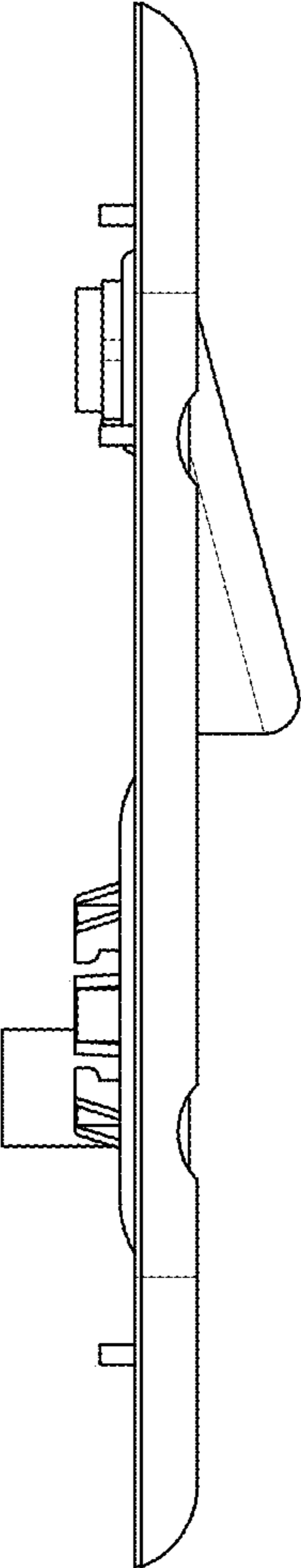
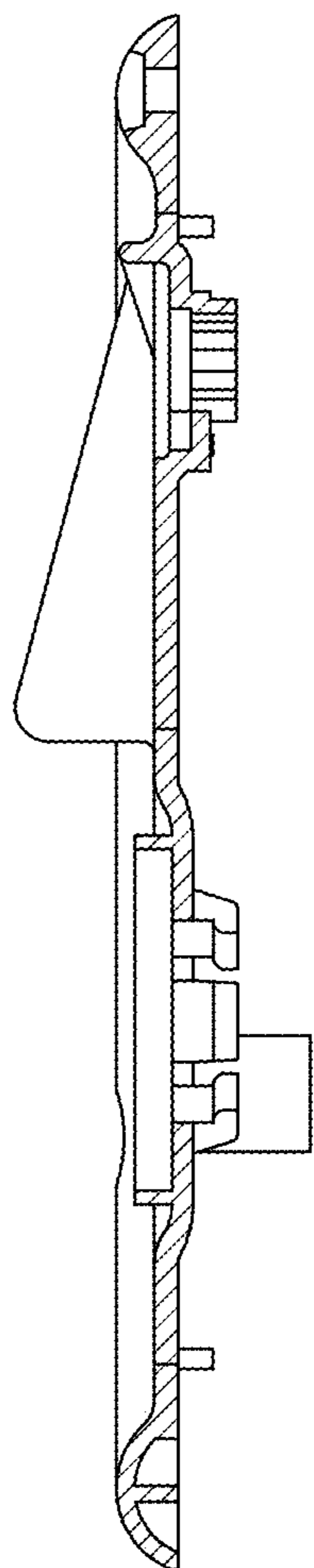
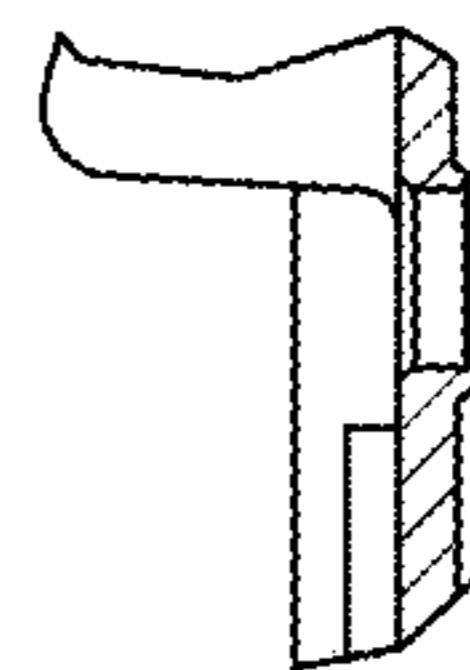


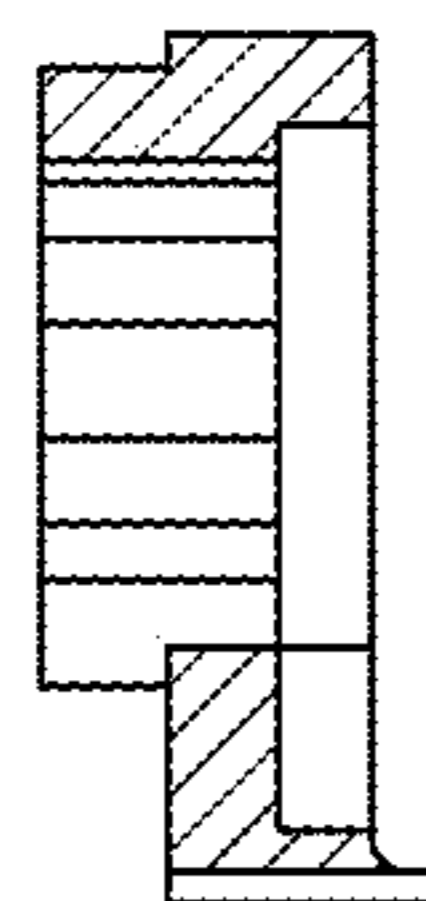
FIG. 7



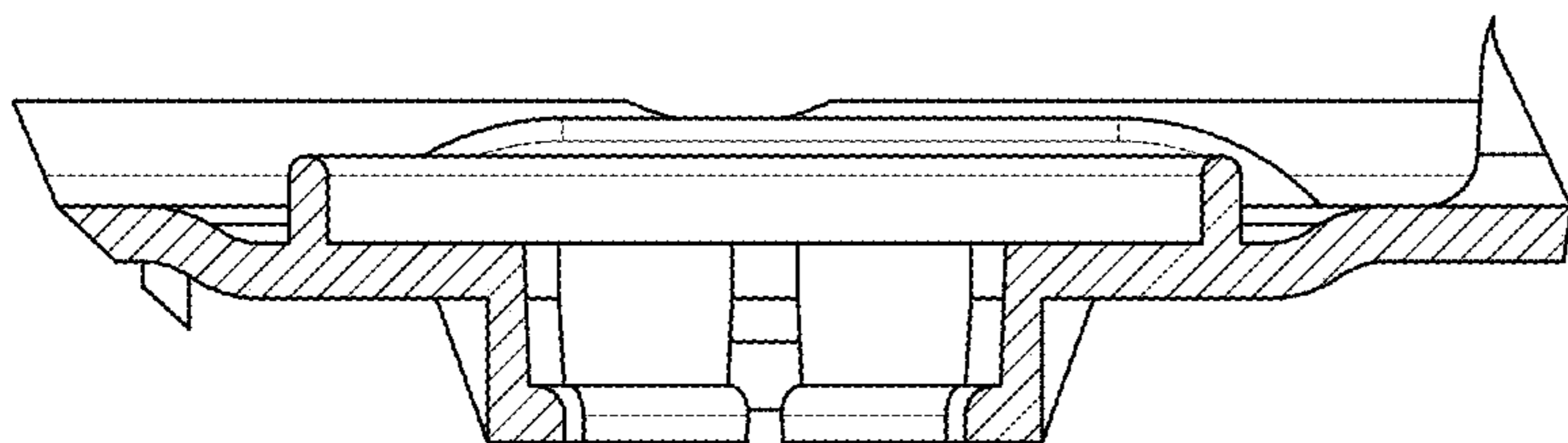
SECTION A-A
FIG. 8



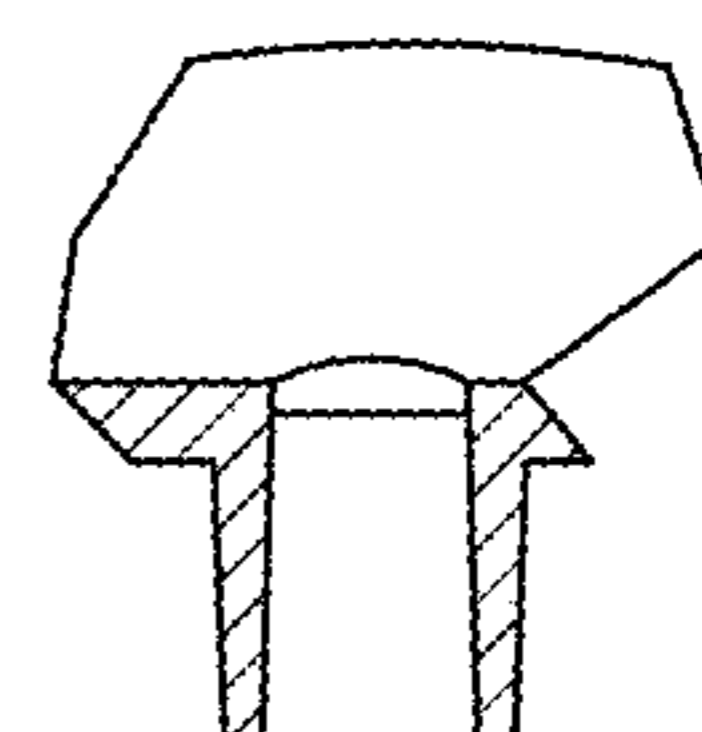
SECTION B-B
FIG. 9



SECTION C-C
FIG. 10



SECTION D-D
FIG. 11



SECTION E-E
FIG. 12