



US00D985096S

(12) **United States Design Patent**
Marfione

(10) **Patent No.:** **US D985,096 S**

(45) **Date of Patent:** **** May 2, 2023**

(54) **FIXED BLADE KNIFE**

(71) Applicant: **Anthony Louis Marfione**, Mills River, NC (US)

(72) Inventor: **Anthony Louis Marfione**, Mills River, NC (US)

(73) Assignee: **Microtech Knives**, Mills River, NC (US)

(**) Term: **15 Years**

(21) Appl. No.: **29/766,825**

(22) Filed: **Jan. 19, 2021**

(51) **LOC (14) Cl.** **22-02**

(52) **U.S. Cl.**
USPC **D22/118**

(58) **Field of Classification Search**
USPC D22/118; D7/649–650; D8/95, 97–99; D21/568
CPC .. B26B 1/00; B26B 1/02; B26B 1/043; B26B 1/046; B26B 1/048; B26B 1/08; B26B 1/10; B26B 1/22; B26B 3/00; B26B 3/06
See application file for complete search history.

(56) **References Cited**

U.S. PATENT DOCUMENTS

D430,917 S * 9/2000 Hall D22/118
D648,414 S 11/2011 Wallisch
D677,551 S * 3/2013 Pelton B26B 1/00
D8/99
D697,577 S 1/2014 Thompson

D743,769 S * 11/2015 Glesser D8/99
D767,079 S 9/2016 Hannan
D768,803 S 10/2016 Benton
D801,469 S 10/2017 Mandeville et al.
D848,812 S * 5/2019 Bloch D8/99
2017/0334077 A1* 11/2017 Onion B26B 1/046
2019/0329430 A1* 10/2019 Billado, Jr. B26B 1/02

OTHER PUBLICATIONS

https://www.knifecountryusa.com/store/product/304201.304206/frost-fc96cb-neck-knife-coyote-brown.html?gclid=EAIaIqobChMlitSCv_W4_QIViMmUCR2DWQgkEAQYEiABEgJzrPD_BwE (Year: 2023).*

* cited by examiner

Primary Examiner — Catherine R Oliver-Garcia
(74) *Attorney, Agent, or Firm* — Steve LeBlanc, LLC

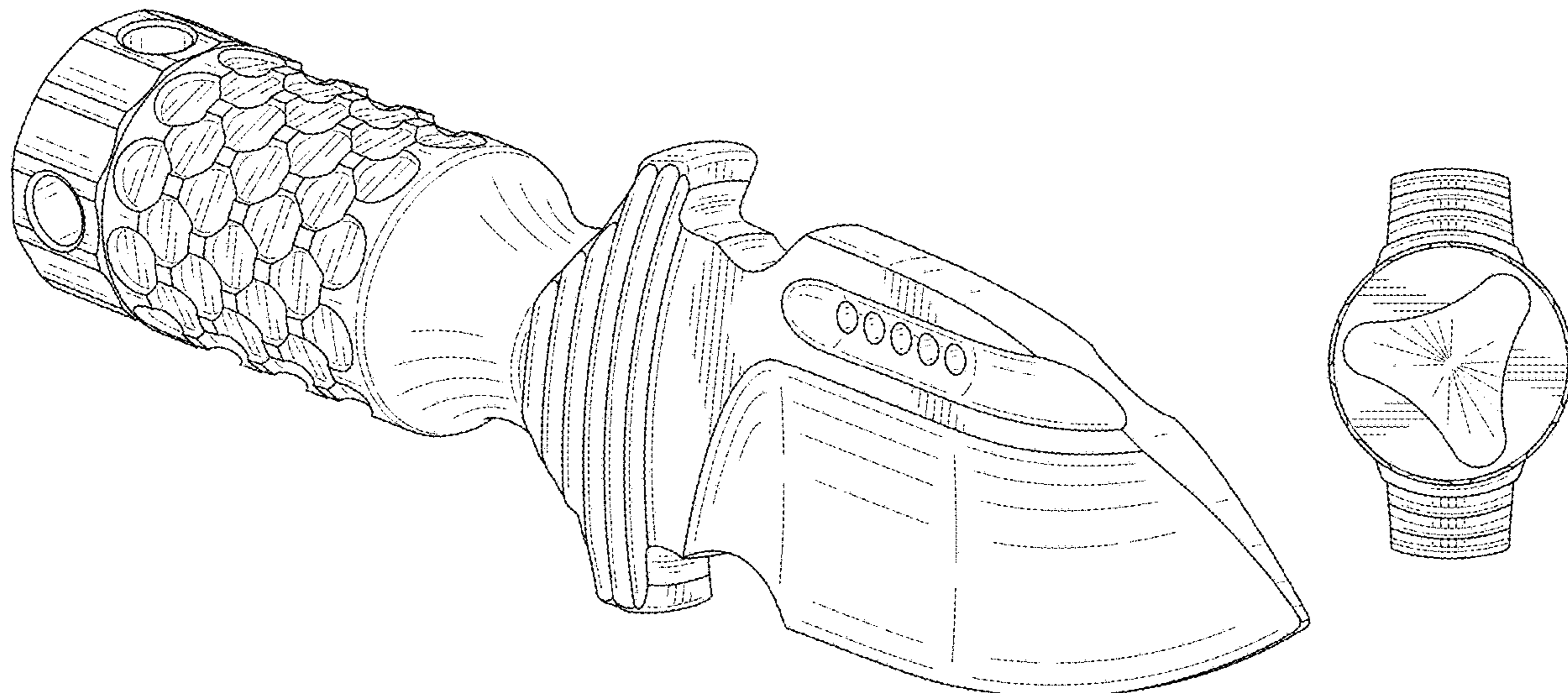
(57) **CLAIM**

The ornamental design for a fixed blade knife, as shown and described.

DESCRIPTION

FIG. 1 is a front perspective view of the fixed blade knife; FIG. 2 is a top view of the fixed blade knife; FIG. 3 is a bottom view of the fixed blade knife; FIG. 4 is a right side view of the fixed blade knife; FIG. 5 is a left side view of the fixed blade knife; FIG. 6 is a front side view of the fixed blade knife; and, FIG. 7 is a rear side view of the fixed blade knife.

1 Claim, 5 Drawing Sheets



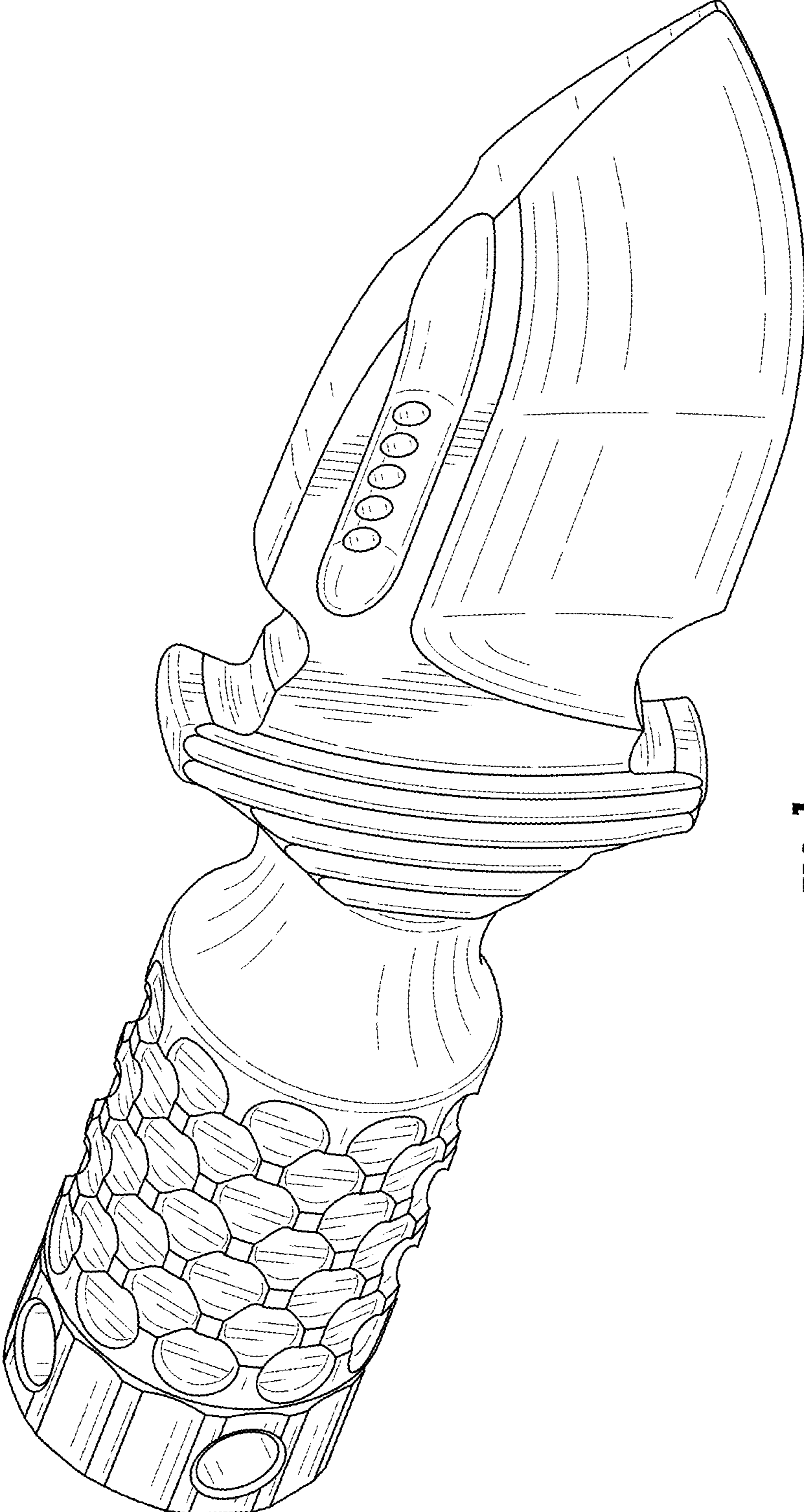


FIG. 1

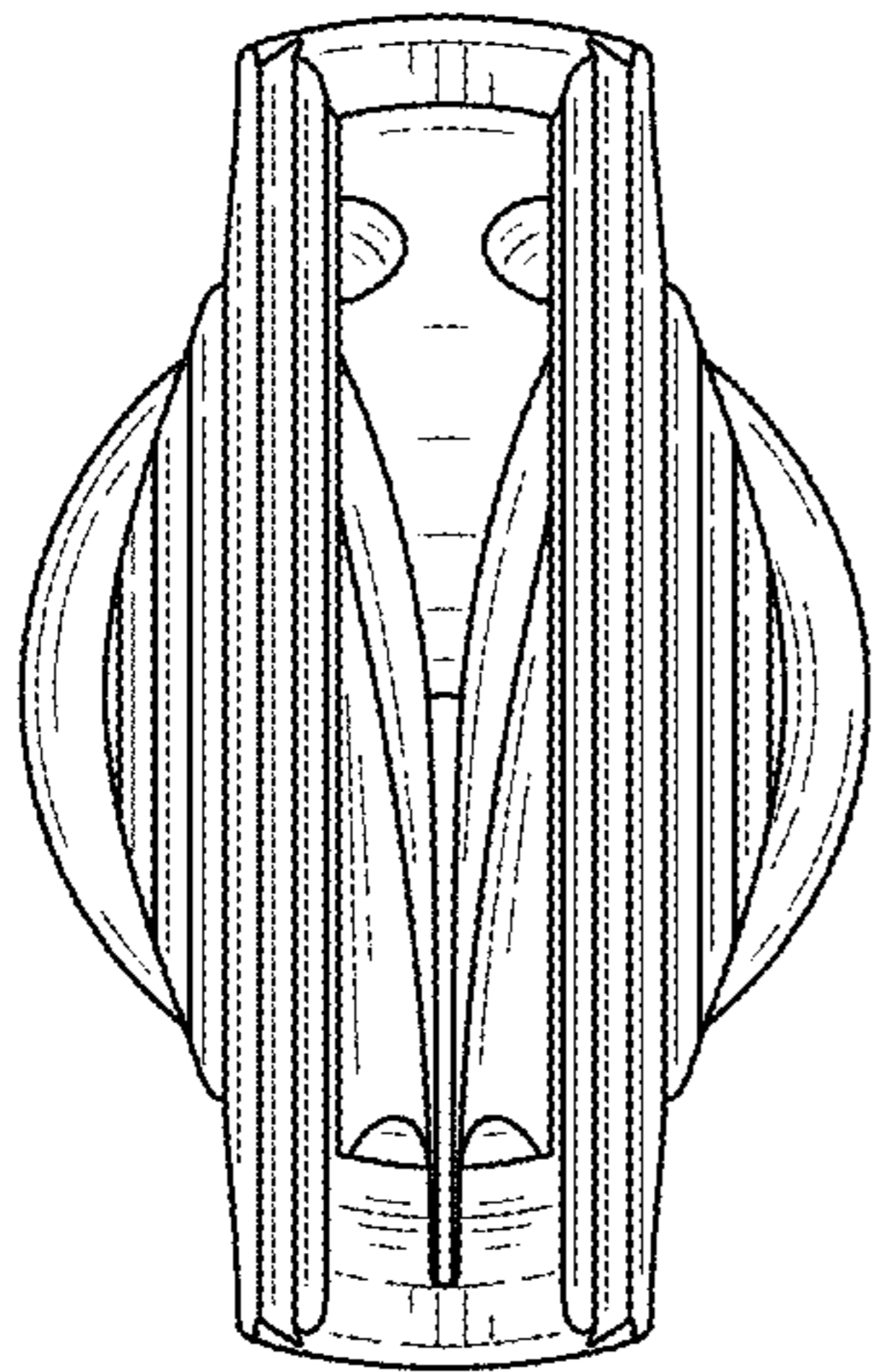


FIG. 2

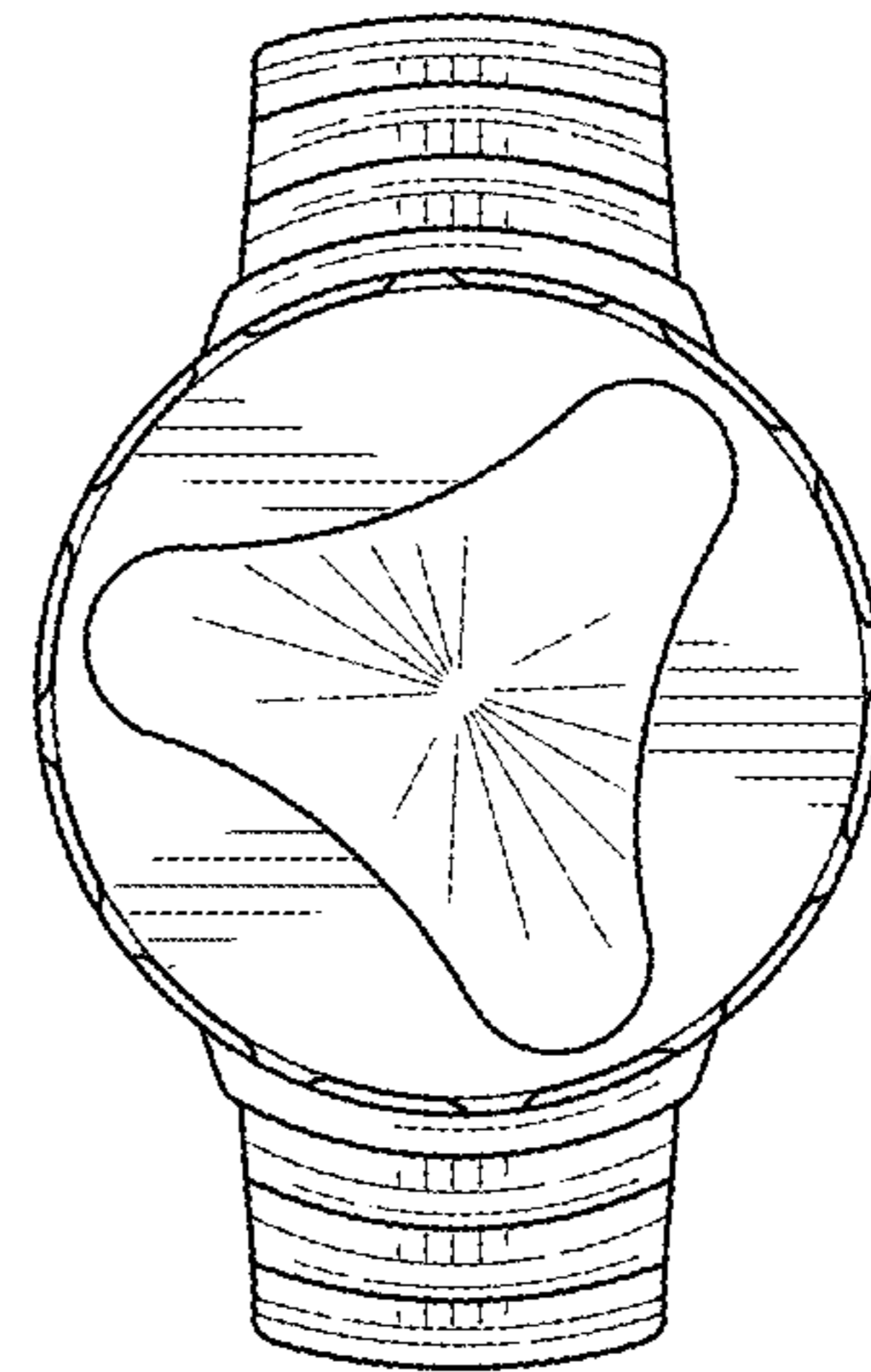


FIG. 3

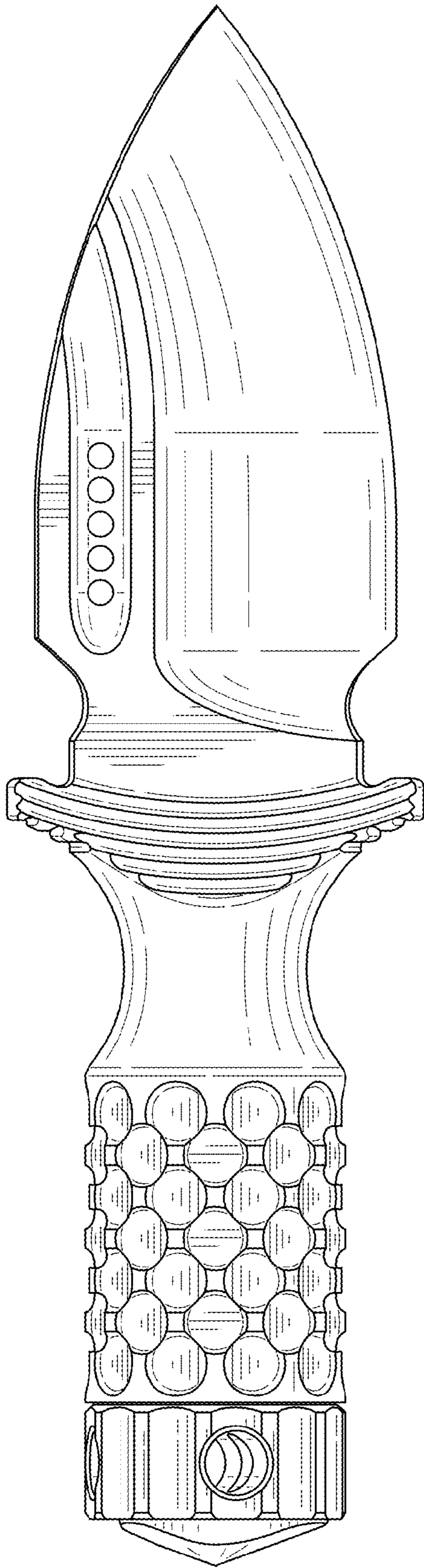


FIG. 4

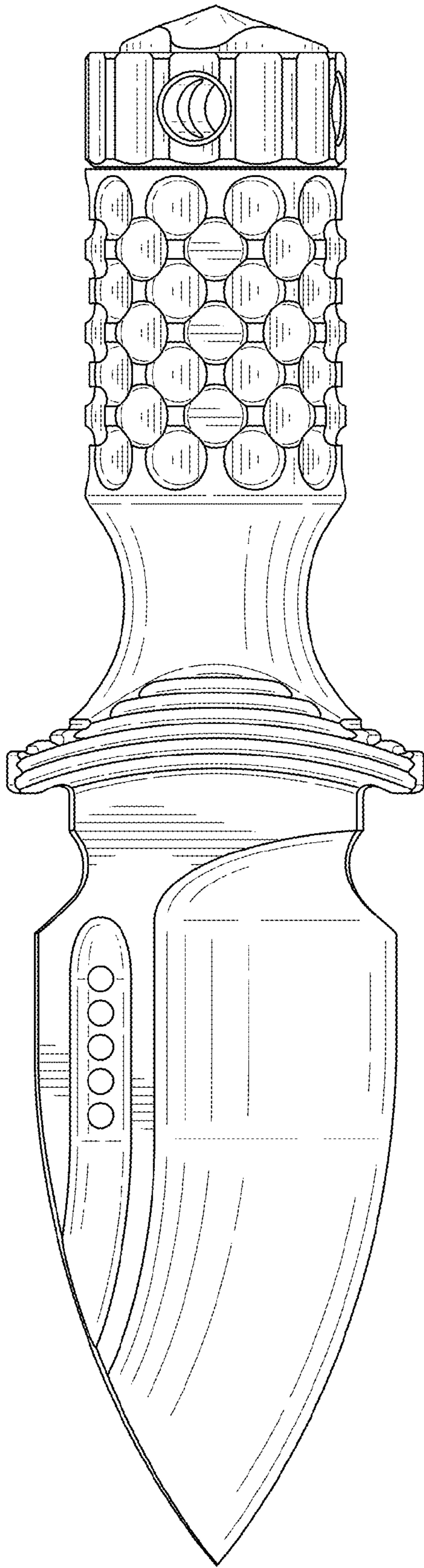


FIG. 5

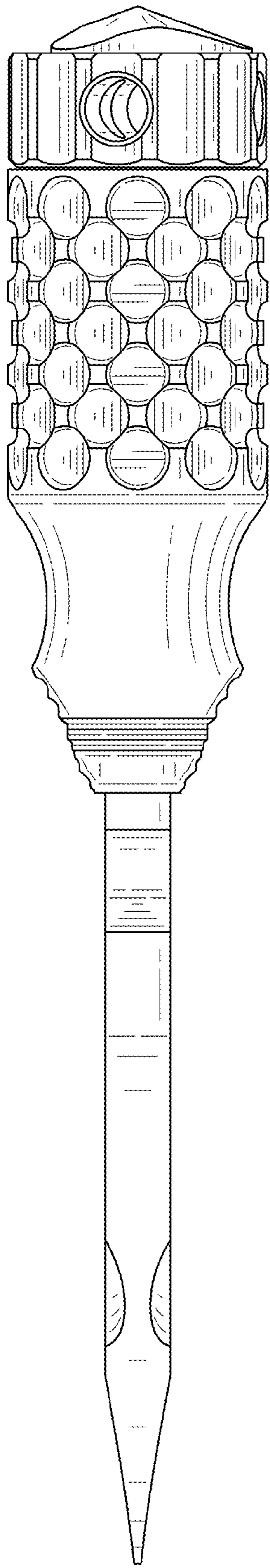


FIG. 6

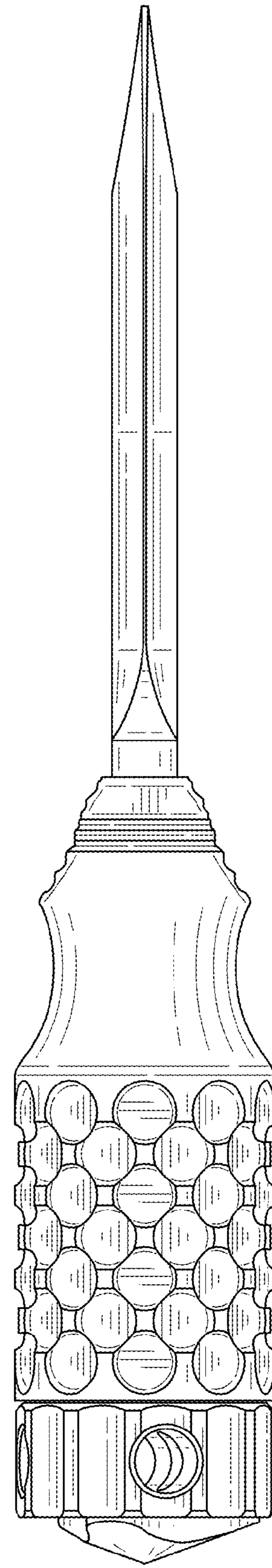


FIG. 7