



US00D985093S

(12) **United States Design Patent** (10) **Patent No.:** **US D985,093 S**
Mundy et al. (45) **Date of Patent:** **** May 2, 2023**

(54) **TENT**

(71) Applicant: **Boutique Camping Supplies Limited,**
Weybridge (GB)

(72) Inventors: **Oliver Mundy,** Weybridge (GB); **Fiaz Iqbal,** Weybridge (GB)

(73) Assignee: **Boutique Camping Supplies Limited,**
Weybridge (GB)

(**) Term: **15 Years**

(21) Appl. No.: **29/756,770**

(22) Filed: **Oct. 30, 2020**

(30) **Foreign Application Priority Data**

Apr. 30, 2020 (EM) 007847371-0001

(51) **LOC (14) Cl.** **21-04**

(52) **U.S. Cl.**
USPC **D21/834**

(58) **Field of Classification Search**
USPC D21/834-839
CPC E04H 15/00; E04H 15/18; E04H 15/20;
E04H 15/26; E04H 15/32; E04H 15/36;
E04H 15/54

See application file for complete search history.

(56) **References Cited**

U.S. PATENT DOCUMENTS

D352,759 S *	11/1994	Cantwell	D21/834
D478,645 S *	8/2003	Pearcy	D21/834
D535,350 S *	1/2007	Ju	D21/834
D689,158 S *	9/2013	Lucero	D21/834
D725,211 S *	3/2015	Lah	D21/834
D725,212 S *	3/2015	Lah	D21/834
D831,772 S *	10/2018	Hanley	D21/834
D876,565 S *	2/2020	Iqbal	D21/834
D913,401 S *	3/2021	Lah	D21/834

* cited by examiner

Primary Examiner — Cynthia M. Chin

(74) *Attorney, Agent, or Firm* — Thomas Y. Kendrick;
Benjamin E. Kern; Kern Kendrick LLC

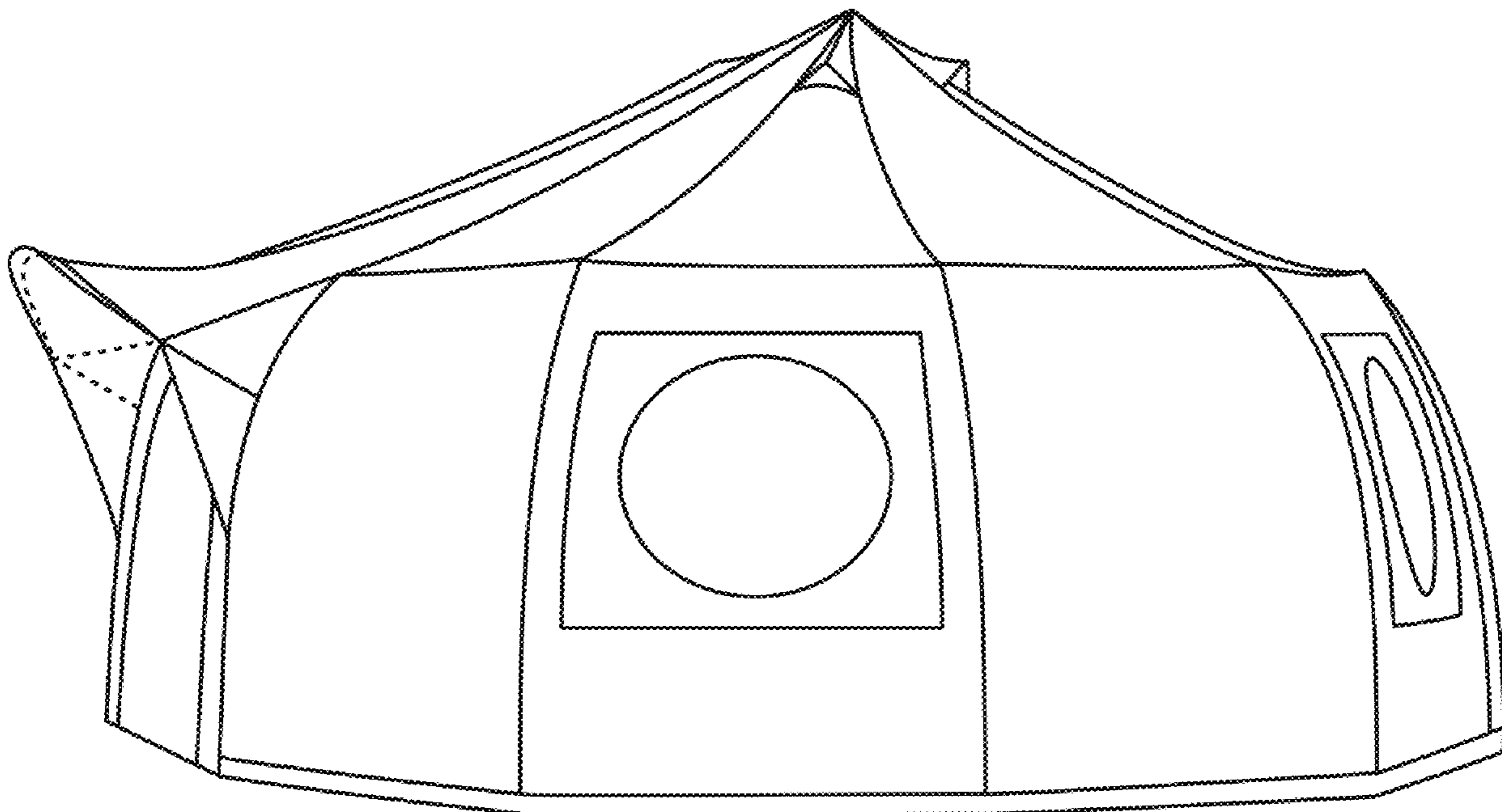
(57) **CLAIM**

The ornamental design for a tent, as shown and described.

DESCRIPTION

FIG. 1 is a front elevation view of a tent;
FIG. 2 is a left side elevation view thereof;
FIG. 3 is a rear elevation view thereof;
FIG. 4 is a left side perspective view thereof; and,
FIG. 5 is a top plan elevation view thereof.
The broken lines are for the purpose of illustrating portions
of the tent that form no part of the claimed design.

1 Claim, 5 Drawing Sheets



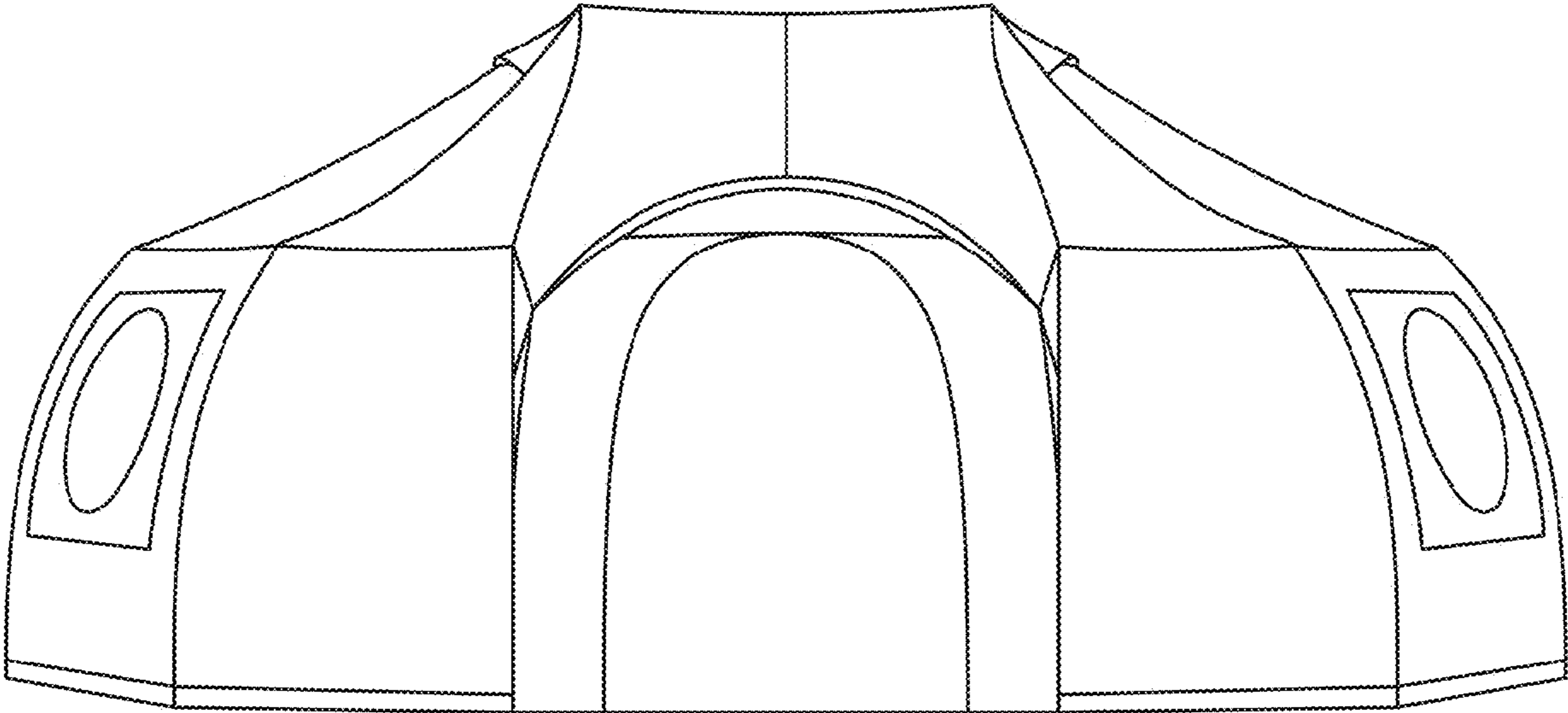


FIG. 1

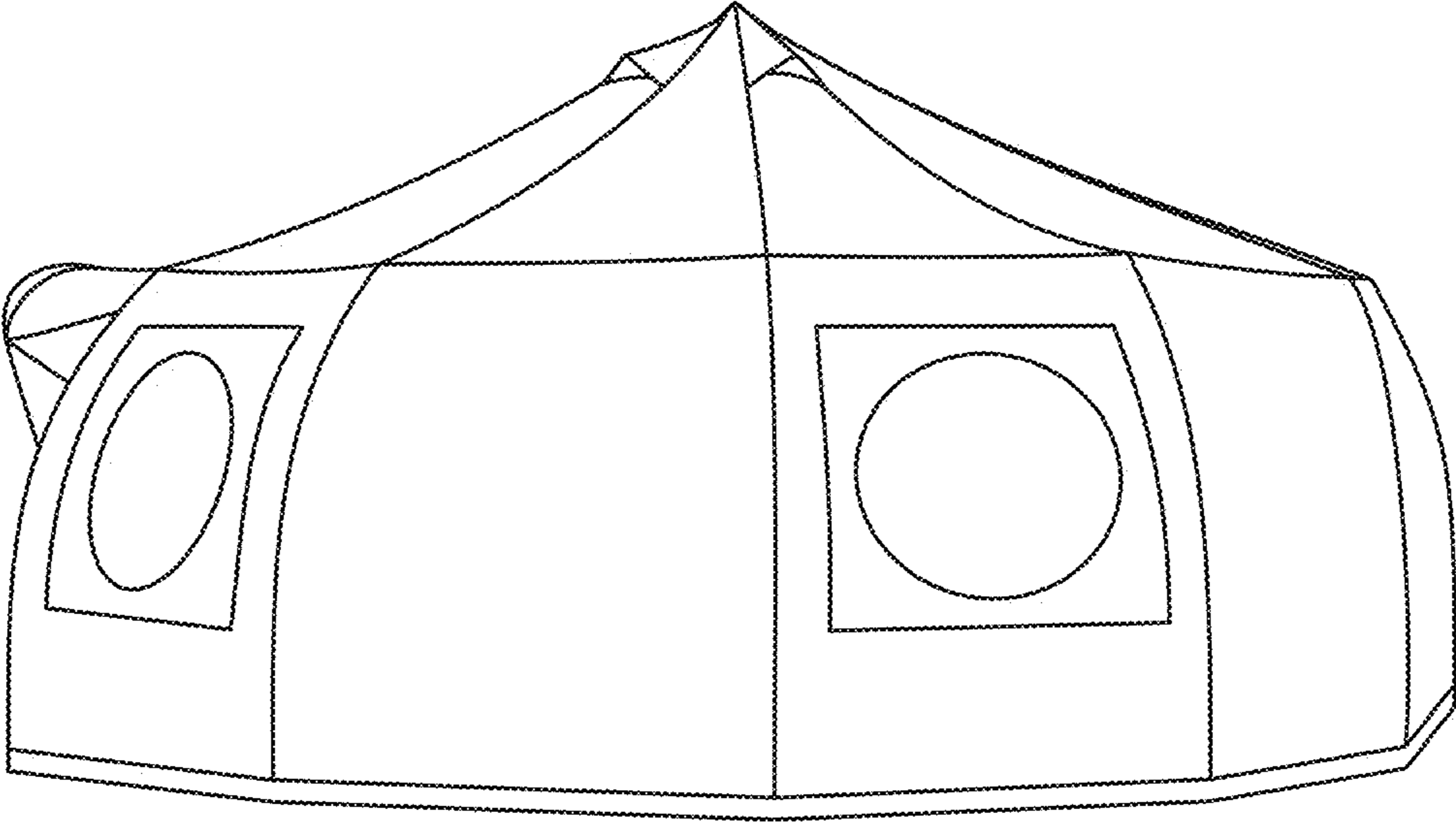


FIG. 2

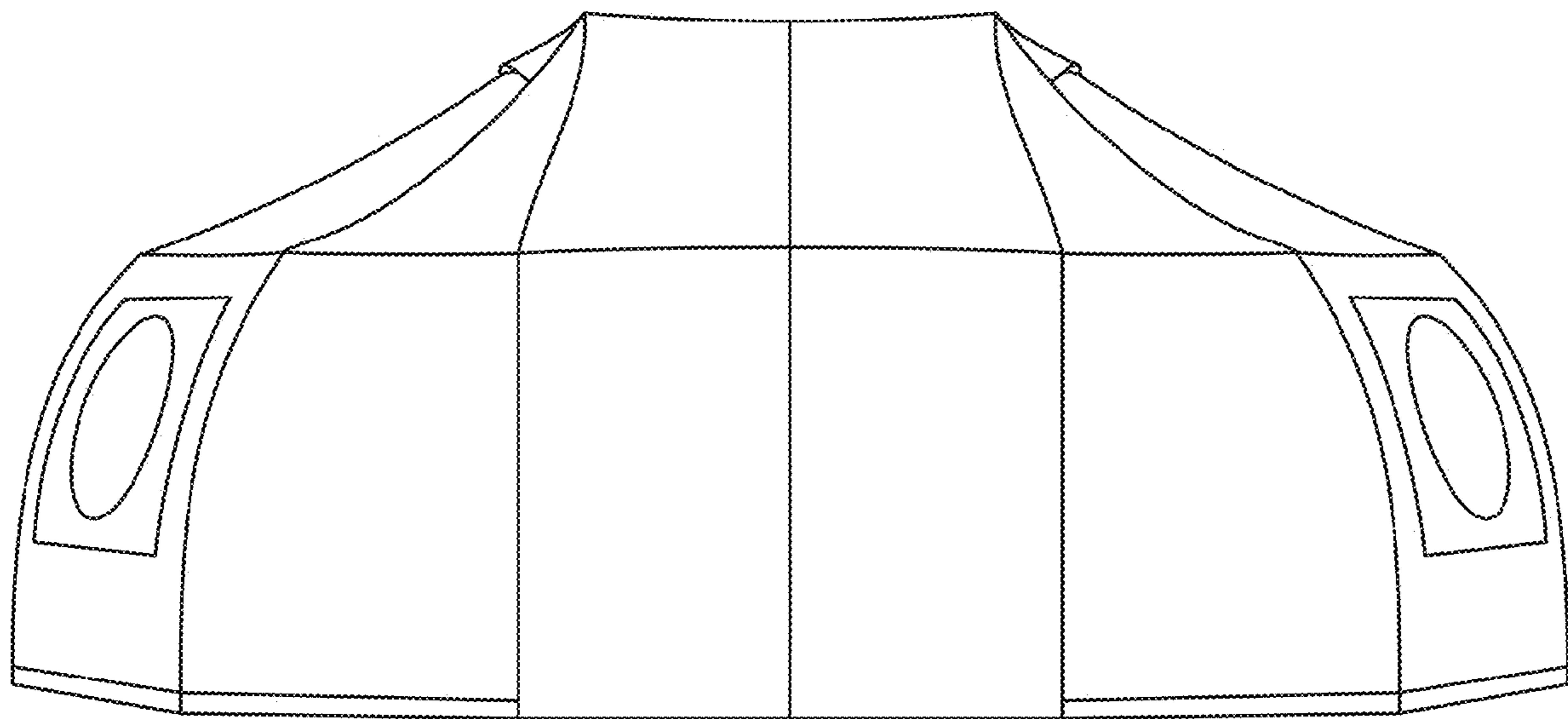


FIG. 3

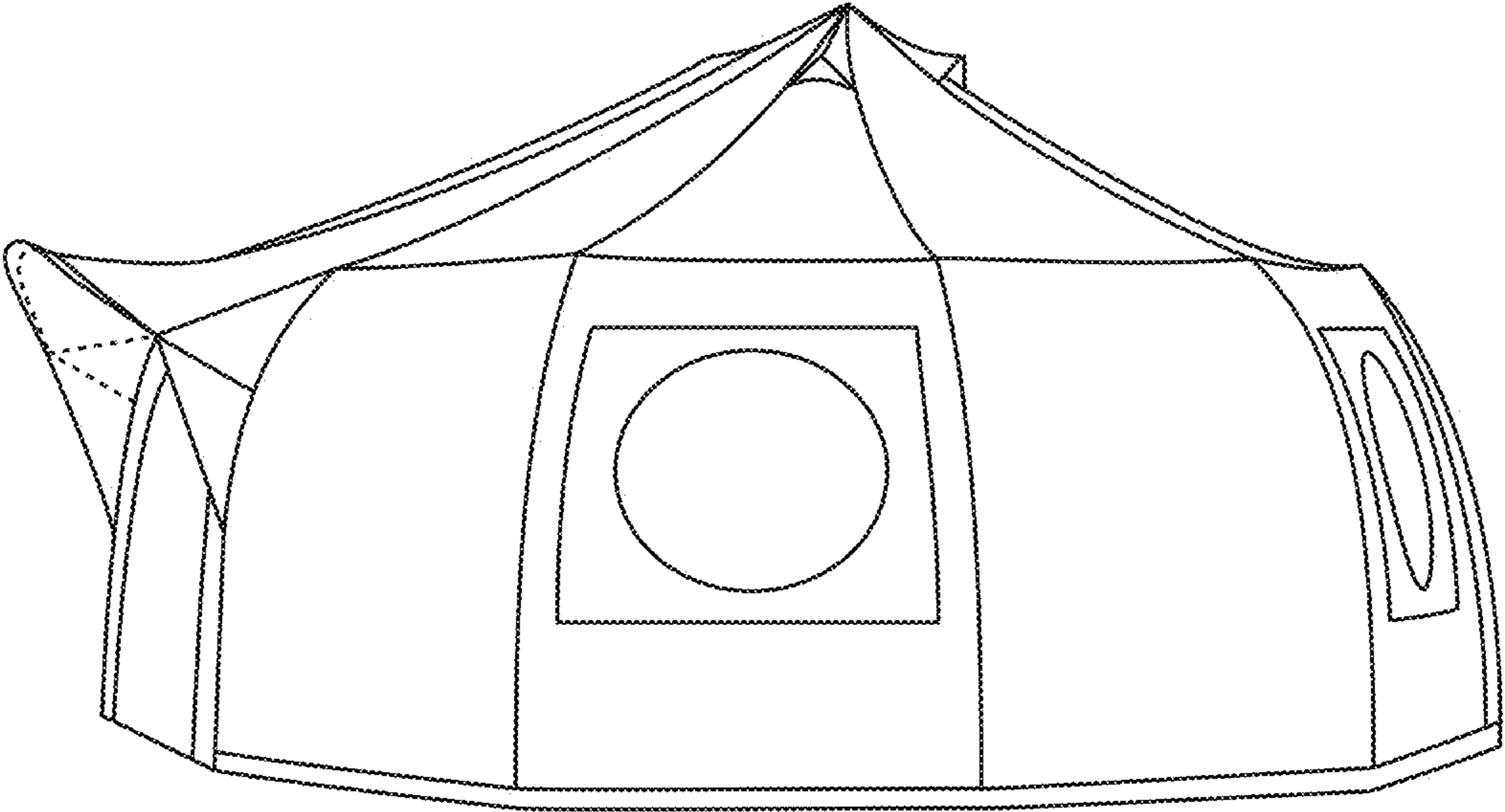


FIG. 4

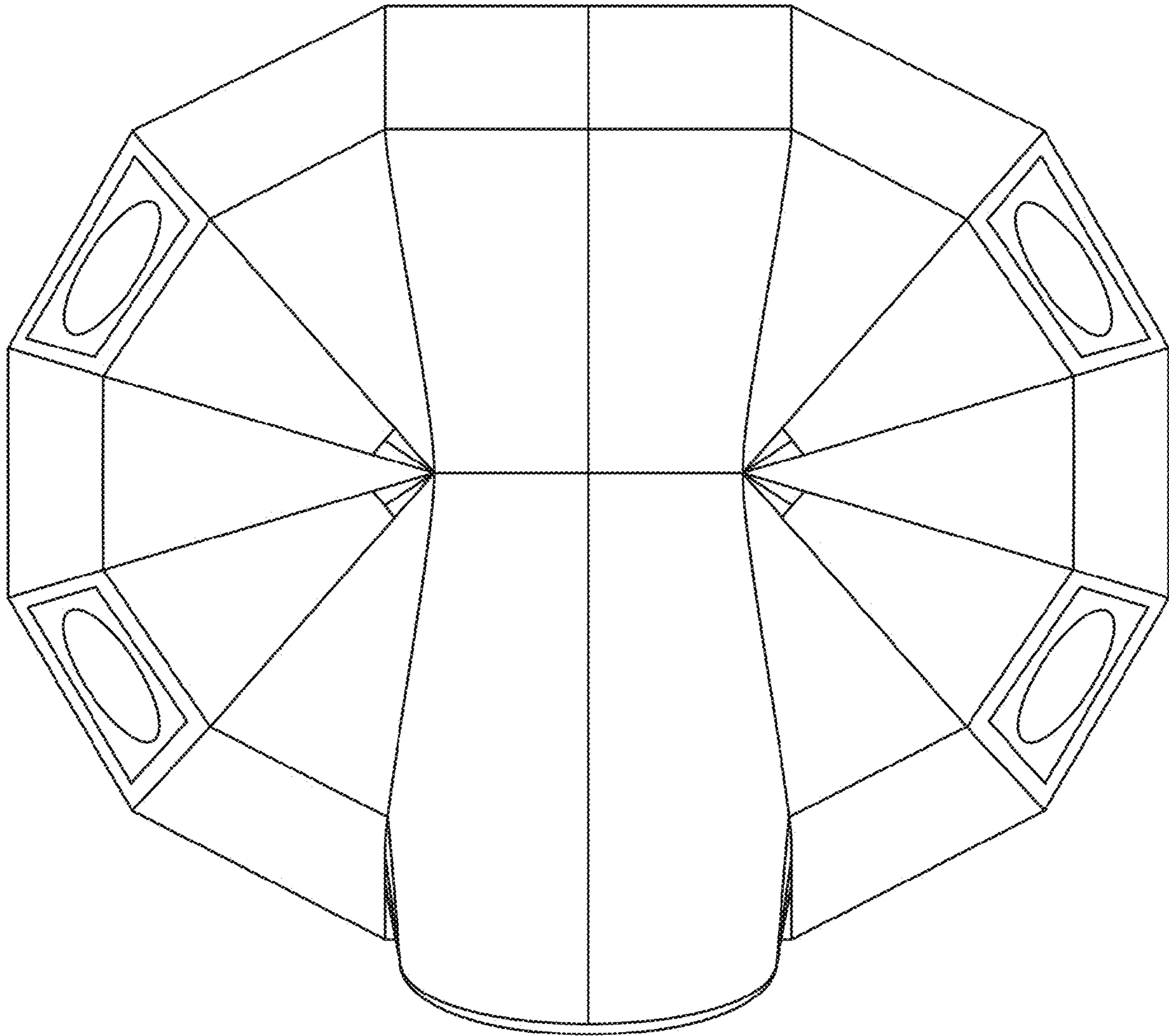


FIG. 5