



US00D985090S

(12) **United States Design Patent** (10) **Patent No.:** **US D985,090 S**  
**Lewison** (45) **Date of Patent:** **\*\* May 2, 2023**

(54) **INFLATABLE TOW RAFT**  
(71) Applicant: **Kwik Tek, Inc.**, Denver, CO (US)  
(72) Inventor: **Corey A. Lewison**, Superior, CO (US)  
(73) Assignee: **Kwik Tek, Inc.**, Denver, CO (US)  
(\*\*) Term: **15 Years**  
(21) Appl. No.: **29/785,650**  
(22) Filed: **May 26, 2021**  
(51) **LOC (14) Cl.** ..... **21-02**  
(52) **U.S. Cl.**  
USPC ..... **D21/808**  
(58) **Field of Classification Search**  
USPC ..... D21/770, 803, 808, 809, 835, 836;  
114/54, 123, 267; 427/129; 446/220  
CPC ..... A63B 69/187; A63B 2225/605; A63B  
2225/62; A63B 2225/60; B63B 34/52;  
B63B 34/54; B63B 34/63; B63B 35/58;  
B63B 7/08; B63B 34/00  
See application file for complete search history.

Aqua Leisure Big Banana.  
Intex Inflat-A-Bull.  
Aqua Leisure The Bull.  
Aqua Leisure The Shark.  
Aqua Leisure The Tiger.  
World of Watersports Unicorn.

\* cited by examiner

*Primary Examiner* — Gino Colan  
*Assistant Examiner* — Gregory G McLemore  
(74) *Attorney, Agent, or Firm* — Talus Law Group LLC

(56) **References Cited**

**U.S. PATENT DOCUMENTS**

D888,177 S \* 6/2020 Peterson ..... D21/803  
D921,806 S \* 6/2021 Engler ..... D21/803  
D925,682 S \* 7/2021 Peterson ..... D21/803  
D934,368 S \* 10/2021 Peterson ..... D21/803

**OTHER PUBLICATIONS**

Airhead Towable Animal Tube | 1-3 Rider Towable Tube for Boating | Multiple Designs Available, shown in www.amazon.com. Web. Oct. 22, 2021. ASIN B09K34BMK9. (Year: 2021).\*  
Airhead Big Dog 5.  
Airhead Hot Dog 2.

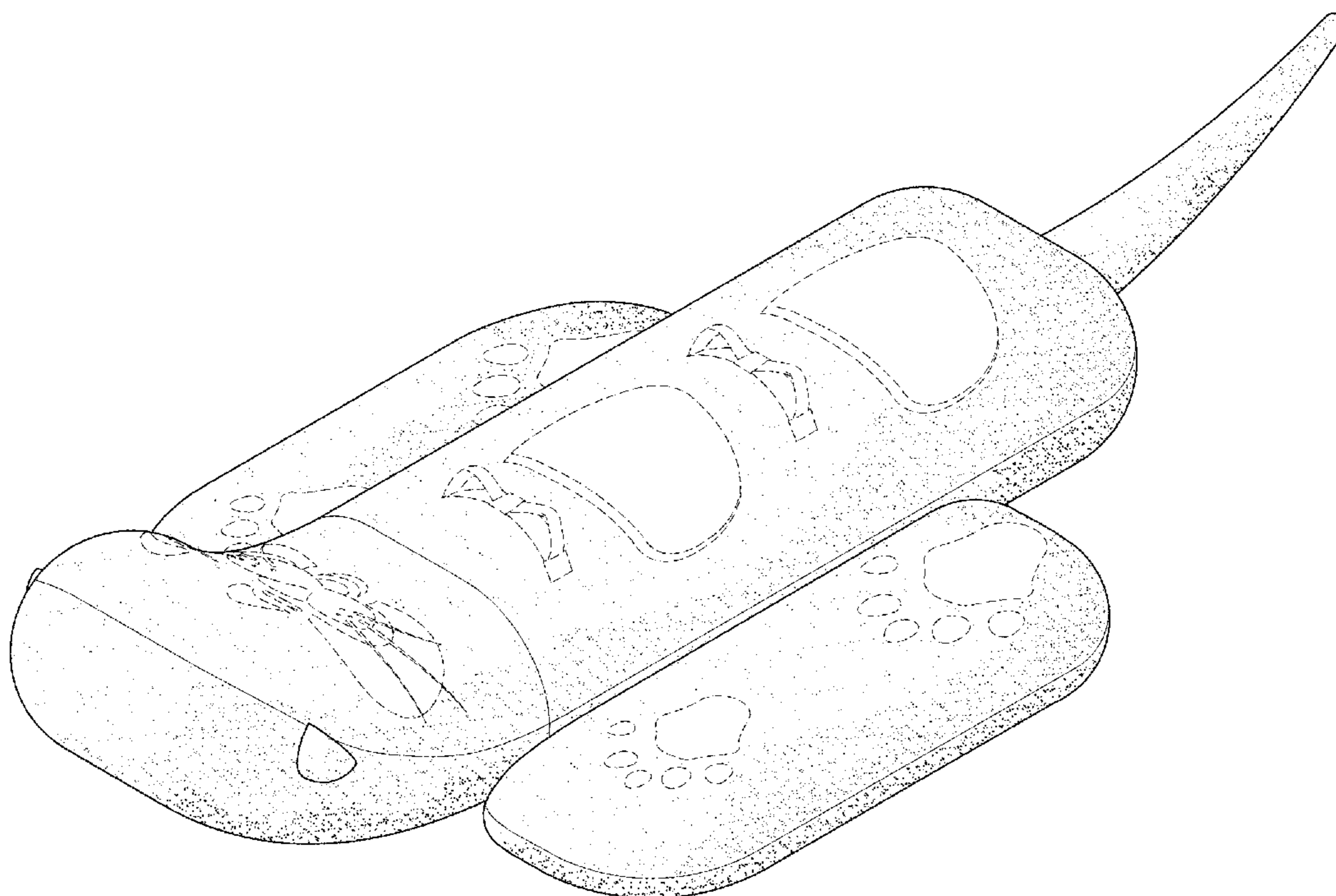
(57) **CLAIM**

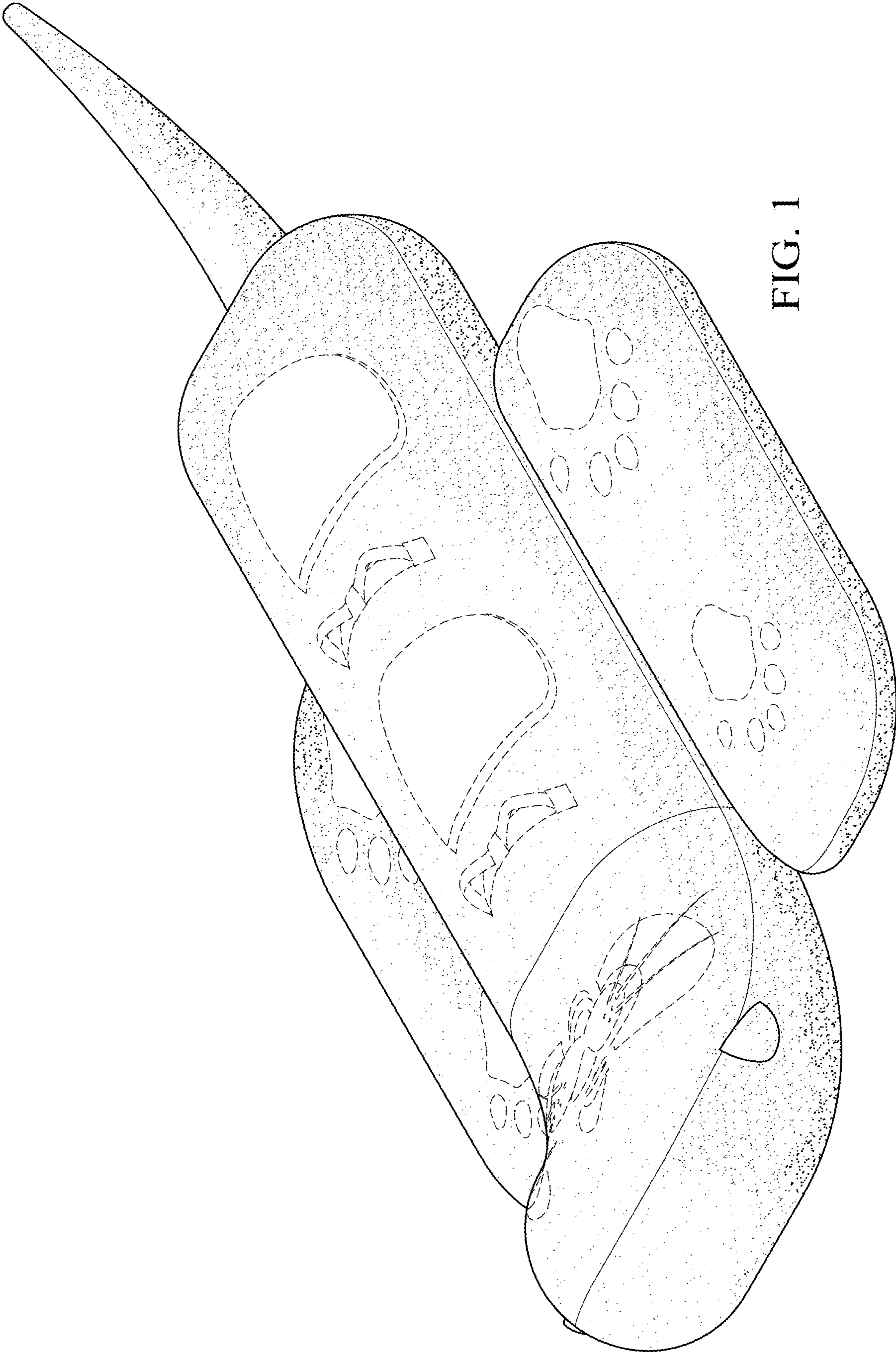
The ornamental design for the inflatable tow raft, as shown and described.

**DESCRIPTION**

FIG. 1 is a perspective view of the inflatable tow raft showing the new design;  
FIG. 2 is a front elevation view thereof;  
FIG. 3 is a rear elevation view thereof;  
FIG. 4 is a right side elevation view thereof;  
FIG. 5 is a left side elevation view thereof;  
FIG. 6 is a top view thereof; and,  
FIG. 7 is a bottom view thereof.  
The dashed lines refer to environment and form no part of the claimed design.

**1 Claim, 5 Drawing Sheets**





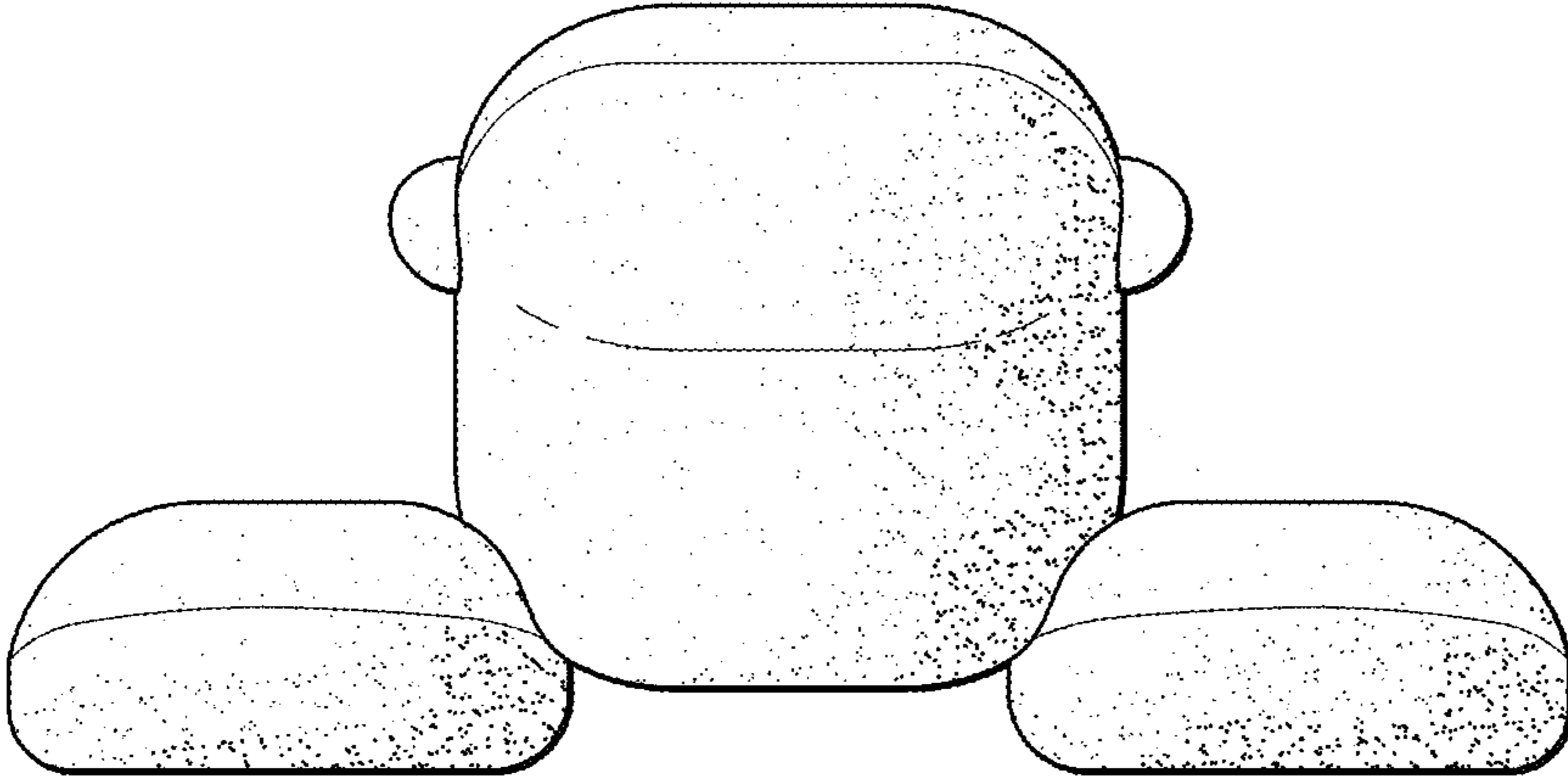


FIG. 2

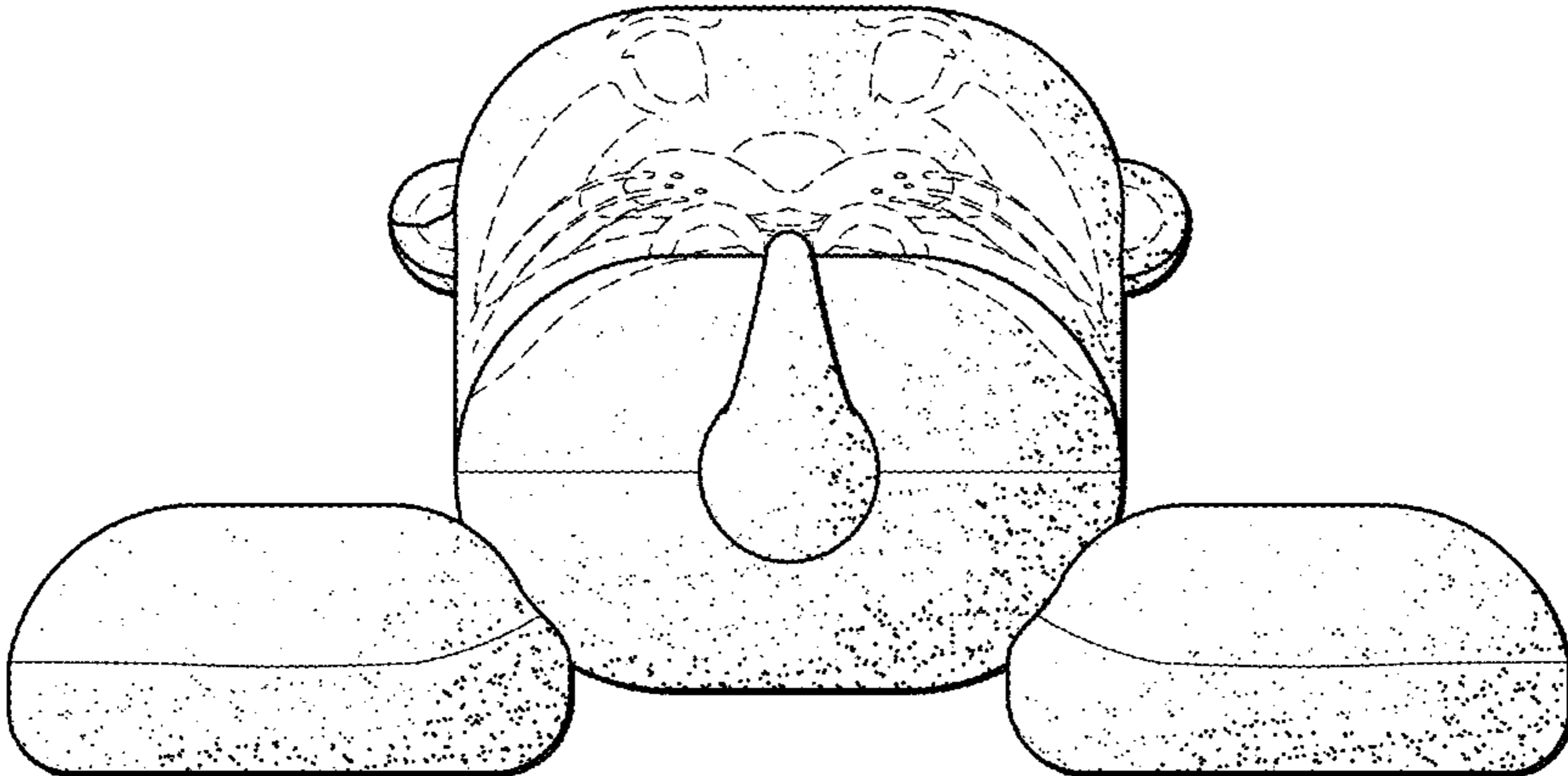


FIG. 3

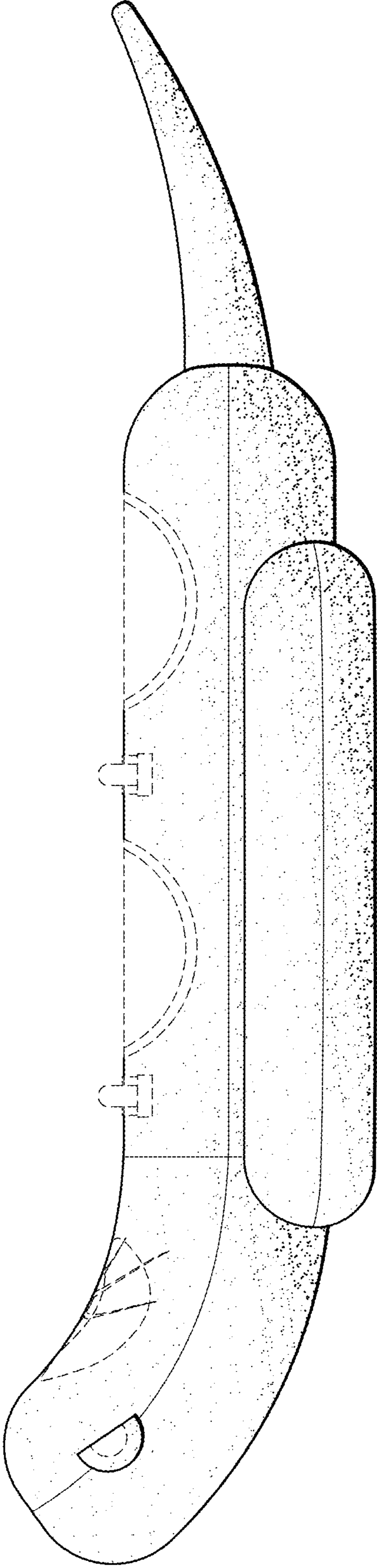


FIG. 4

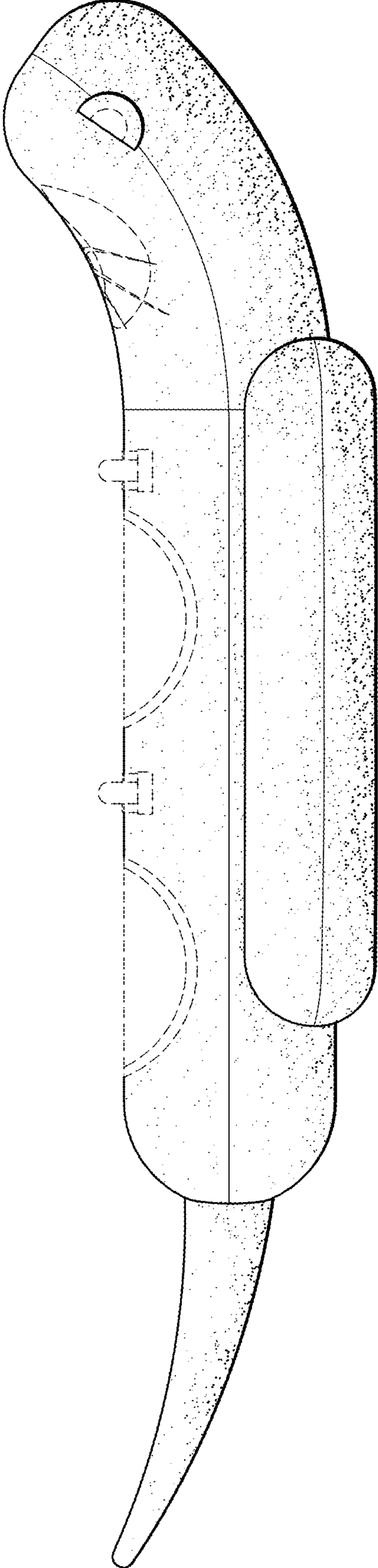


FIG. 5

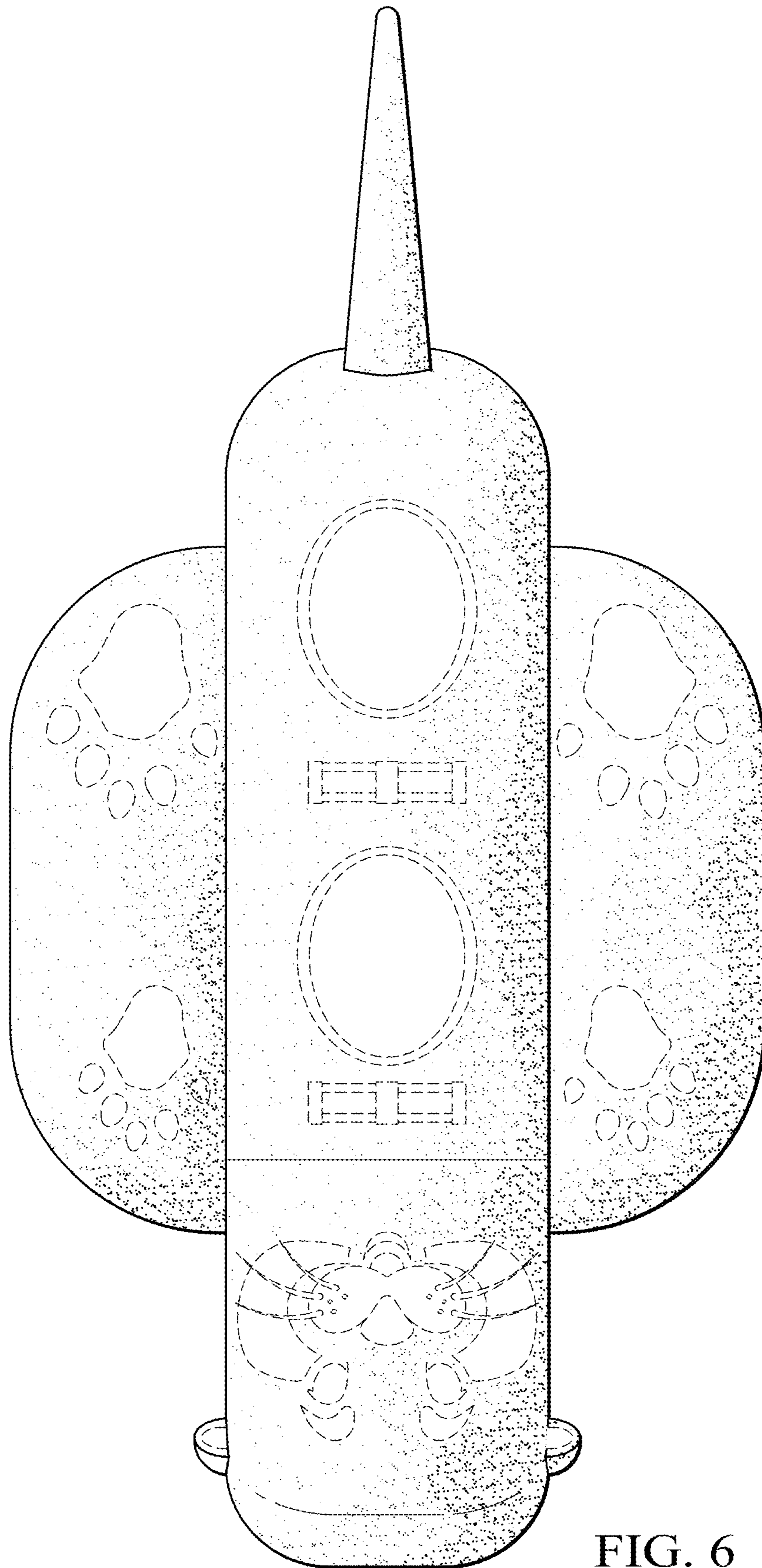


FIG. 6

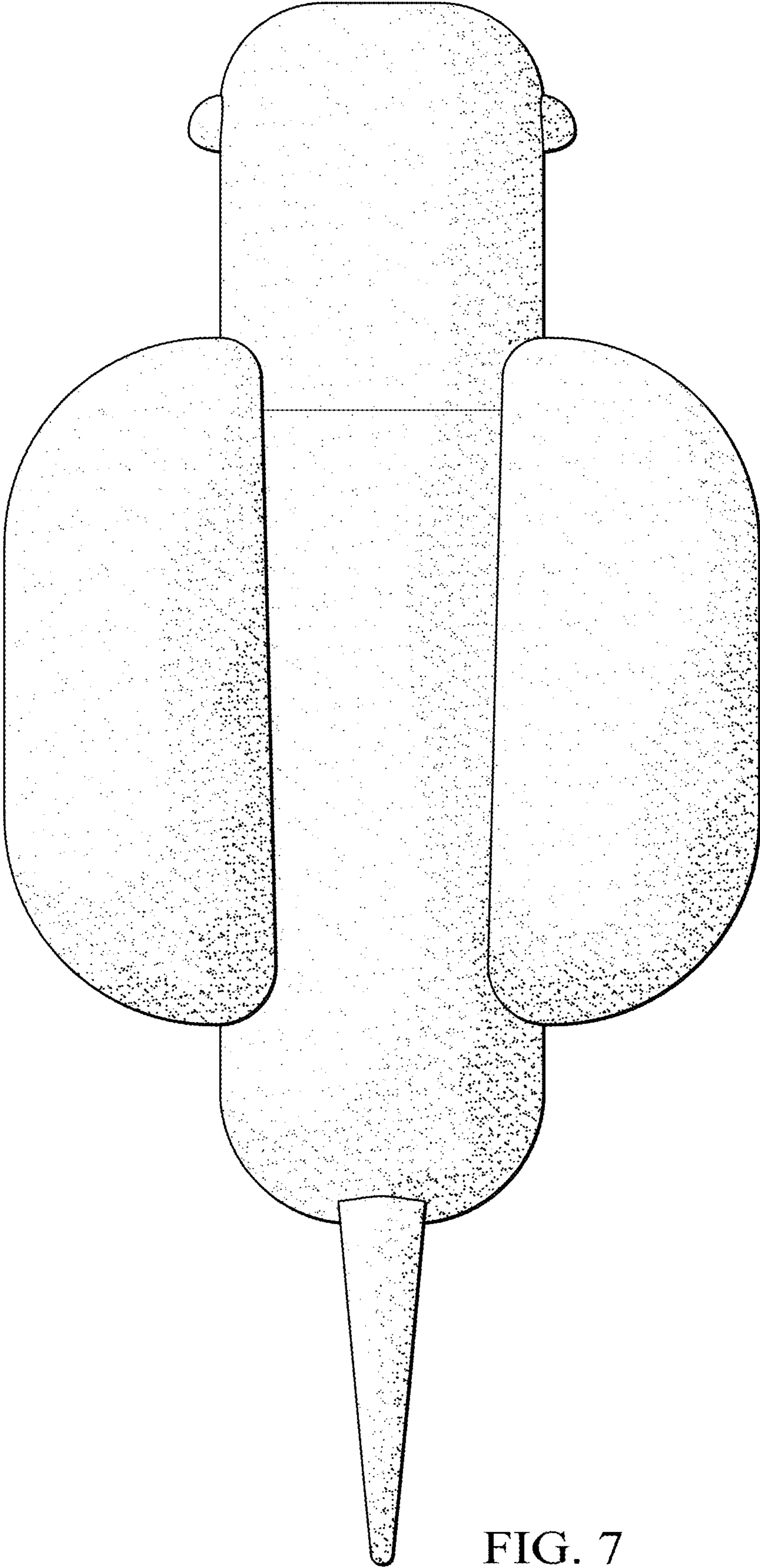


FIG. 7