



US00D985089S

(12) **United States Design Patent**  
**Fortunato**

(10) **Patent No.:** **US D985,089 S**  
(45) **Date of Patent:** **\*\* May 2, 2023**

(54) **GOLF RAMP**

- (71) Applicant: **Daniel A. Fortunato**, Lake Park, FL (US)
- (72) Inventor: **Daniel A. Fortunato**, Lake Park, FL (US)
- (\*\*) Term: **15 Years**
- (21) Appl. No.: **29/829,847**
- (22) Filed: **Mar. 8, 2022**
- (51) **LOC (14) Cl.** ..... **21-02**
- (52) **U.S. Cl.**  
USPC ..... **D21/791**
- (58) **Field of Classification Search**  
USPC ..... D21/789, 796, 791  
CPC . A63B 69/36; A63B 69/3608; A63B 69/3676;  
A63B 69/3661; A63B 69/3667; A63B  
69/3697; A63B 57/40  
See application file for complete search history.

(56) **References Cited**

**U.S. PATENT DOCUMENTS**

D387,835 S	*	12/1997	Abram	.....	D21/791
D558,849 S	*	1/2008	Taira	.....	D21/791
D635,214 S	*	3/2011	Johansen	.....	D21/791
D696,740 S	*	12/2013	Wilkie	.....	D21/791
D769,389 S	*	10/2016	Altemus, Jr.	.....	D21/791
D882,709 S	*	4/2020	Mickley	.....	D21/721
D903,024 S	*	11/2020	Mickley	.....	D21/721

**OTHER PUBLICATIONS**

Golf ramp google search; google.com; Aug. 29, 2022.\*  
Perfect putter; mygolfspey.com; Aug. 29, 2022.\*

\* cited by examiner

*Primary Examiner* — Mitchell I. Siegel

(74) *Attorney, Agent, or Firm* — McHale & Slavin, P.A.

(57) **CLAIM**

The ornamental design for a golf ramp, as shown and described.

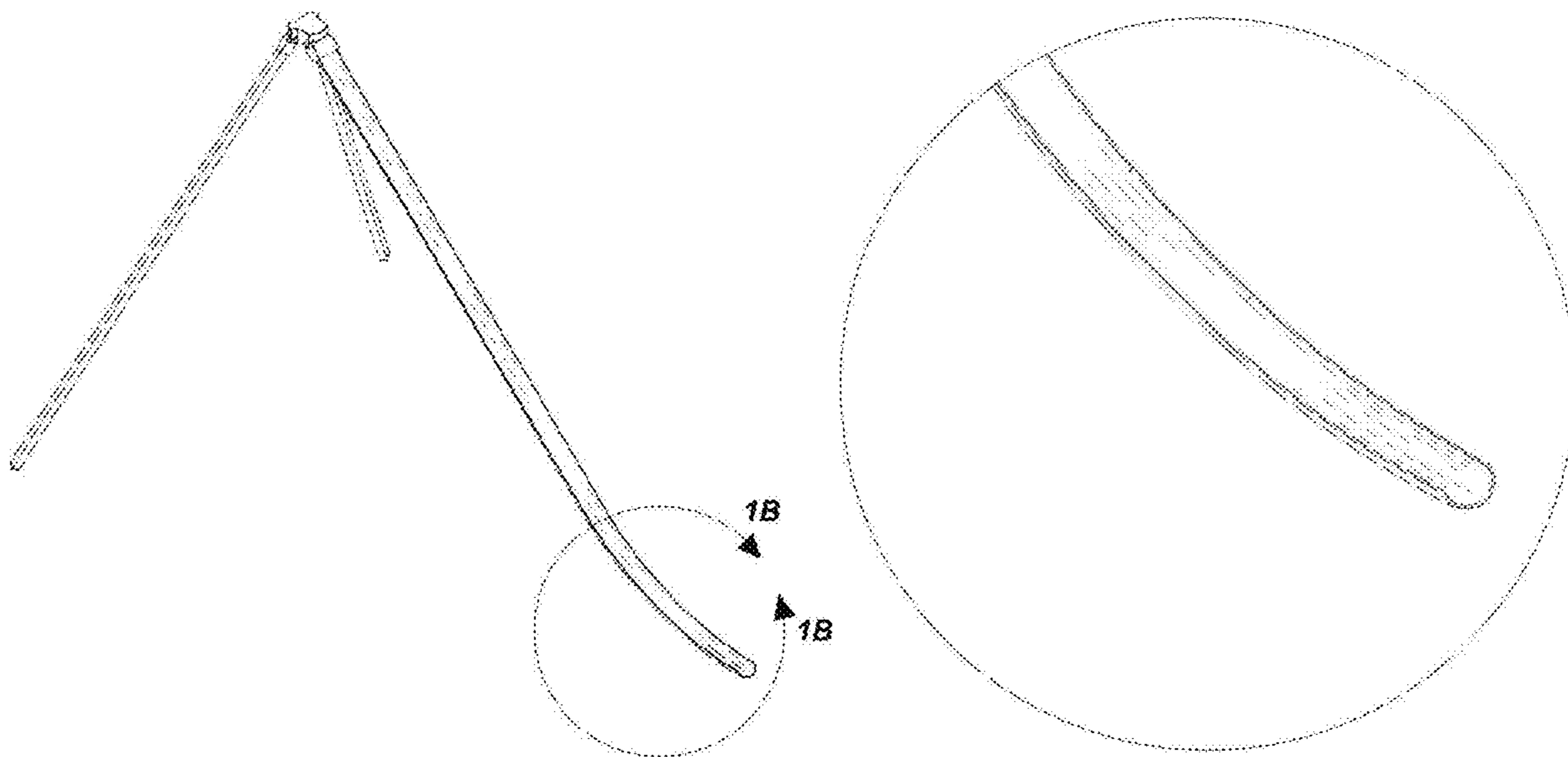
**DESCRIPTION**

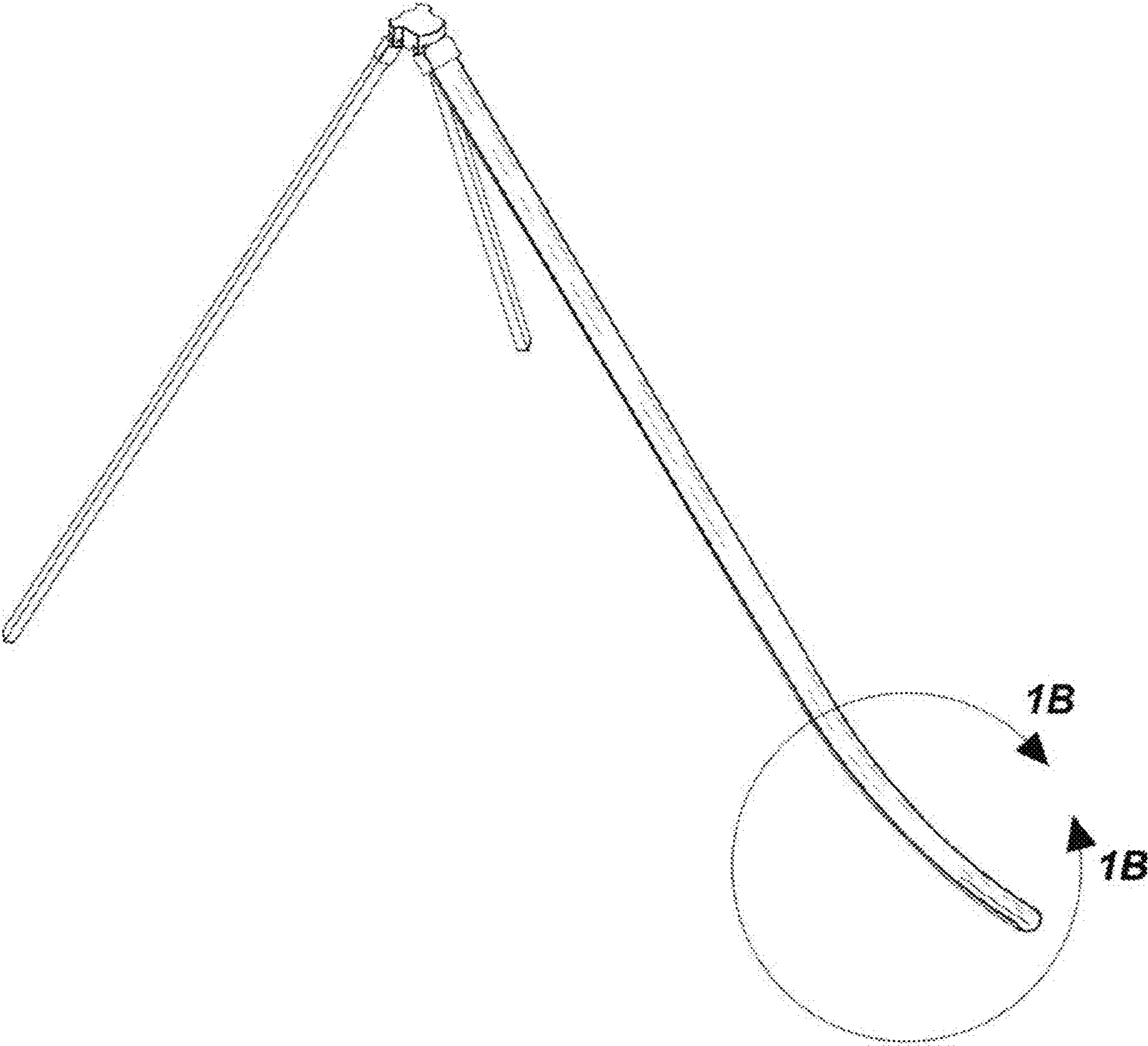
FIG. 1A is a top front left perspective view of the golf ramp of the present invention;  
 FIG. 1B is a partial enlarged view taken along line 1B of FIG. 1A;  
 FIG. 2 is a top front right perspective view thereof.  
 FIG. 3 is a left side view thereof;  
 FIG. 4 is a right side view thereof;  
 FIG. 5 is a front view thereof;  
 FIG. 6 is a rear view thereof;  
 FIG. 7 is a top view thereof; and,  
 FIG. 8 is an environmental view of the golf ramp stored in a golf bag.

The bottom view of the golf ramp has no ornamental aspects and is not shown.

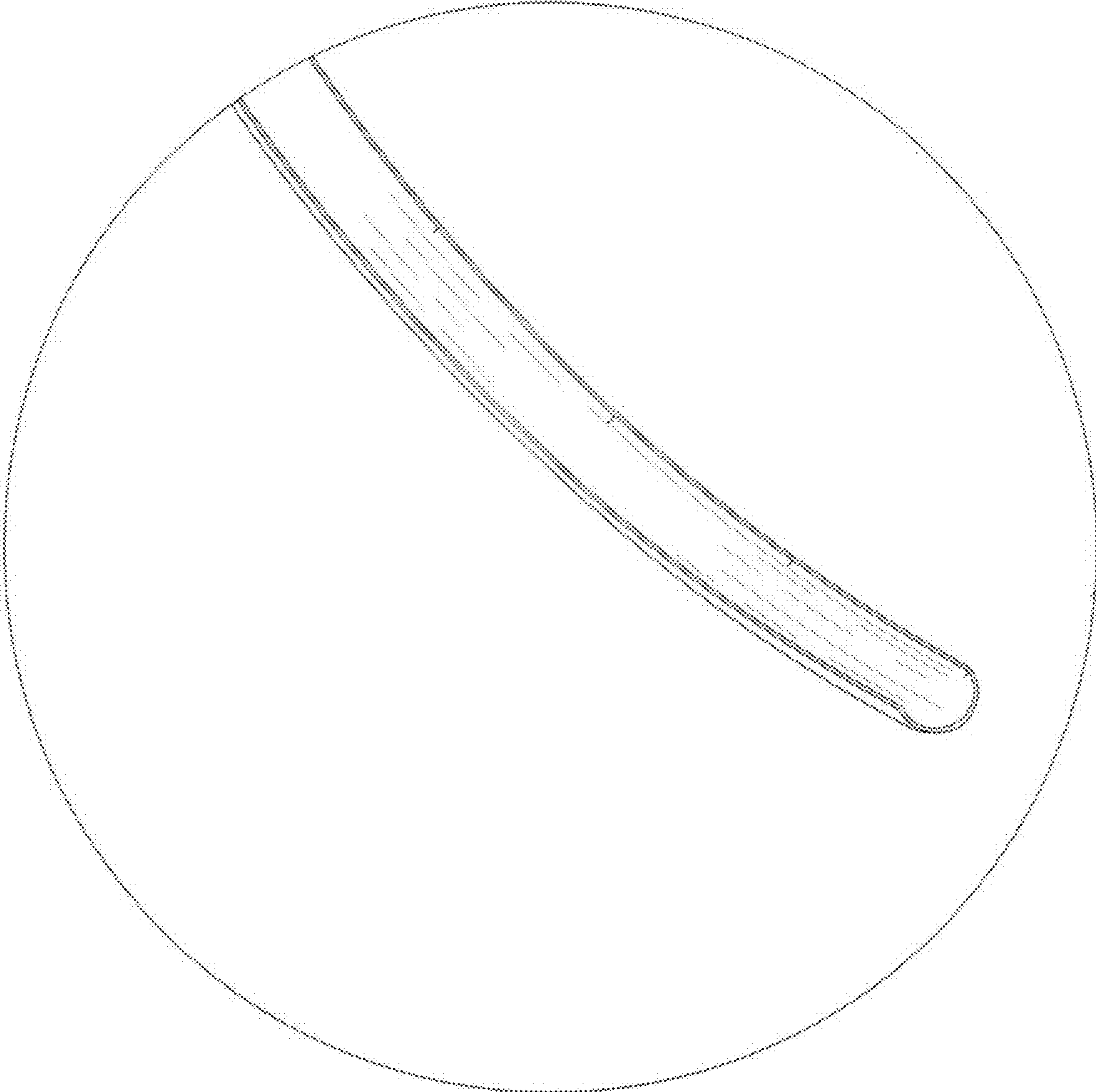
The portions of the golf ramp illustrated in broken lines form no part of the claimed design.

**1 Claim, 9 Drawing Sheets**

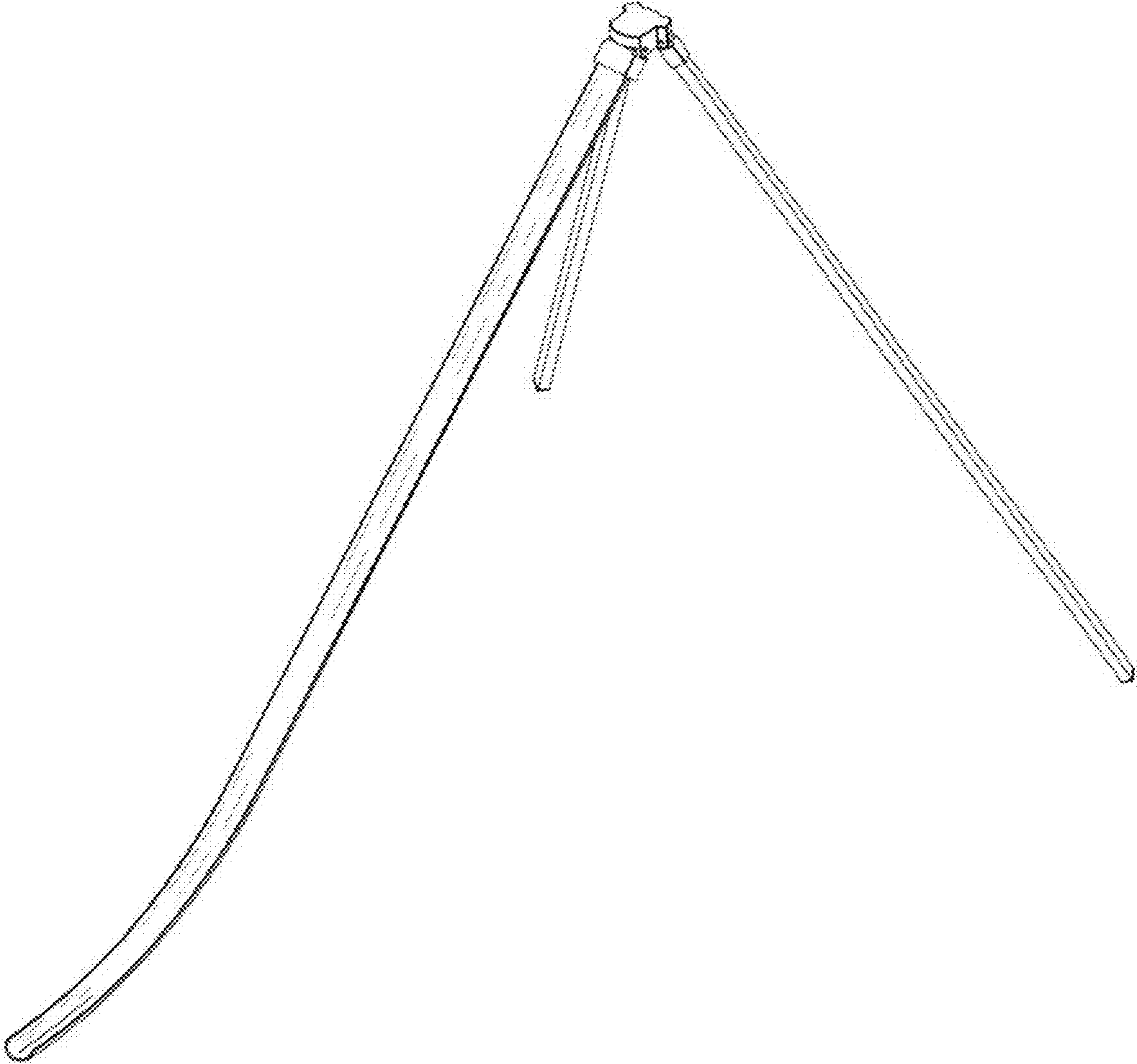




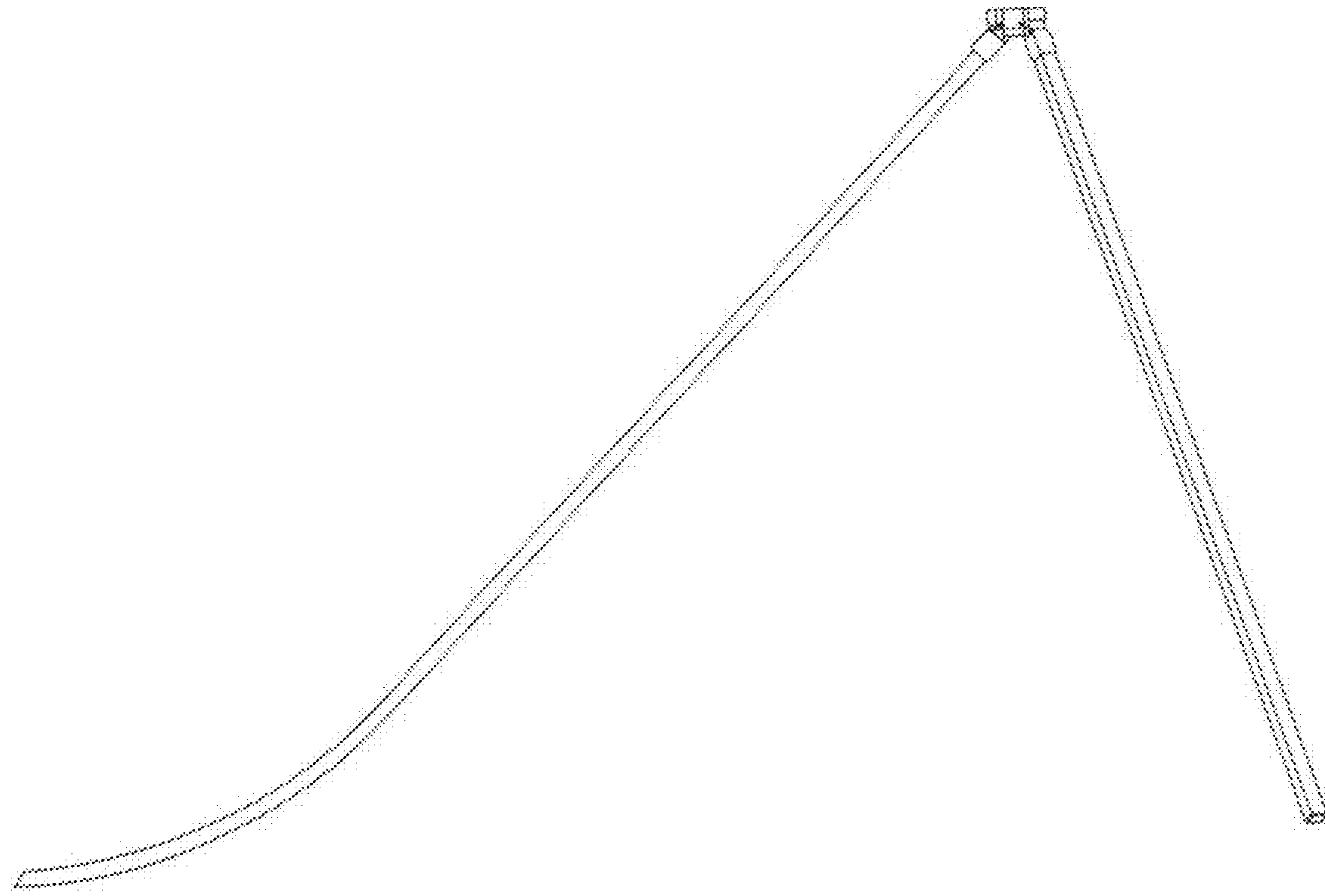
**Fig. 1A**



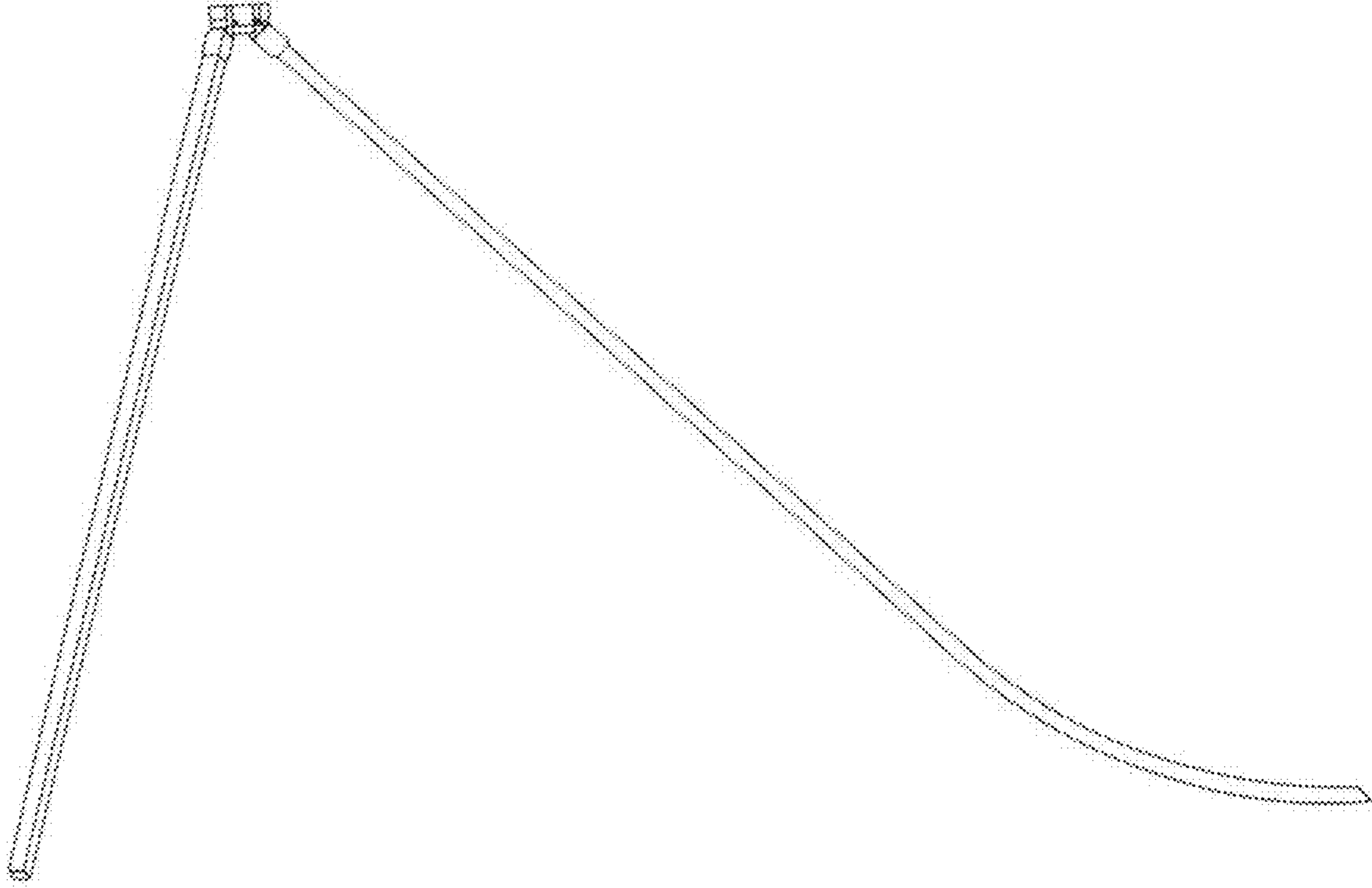
**Fig. 1B**



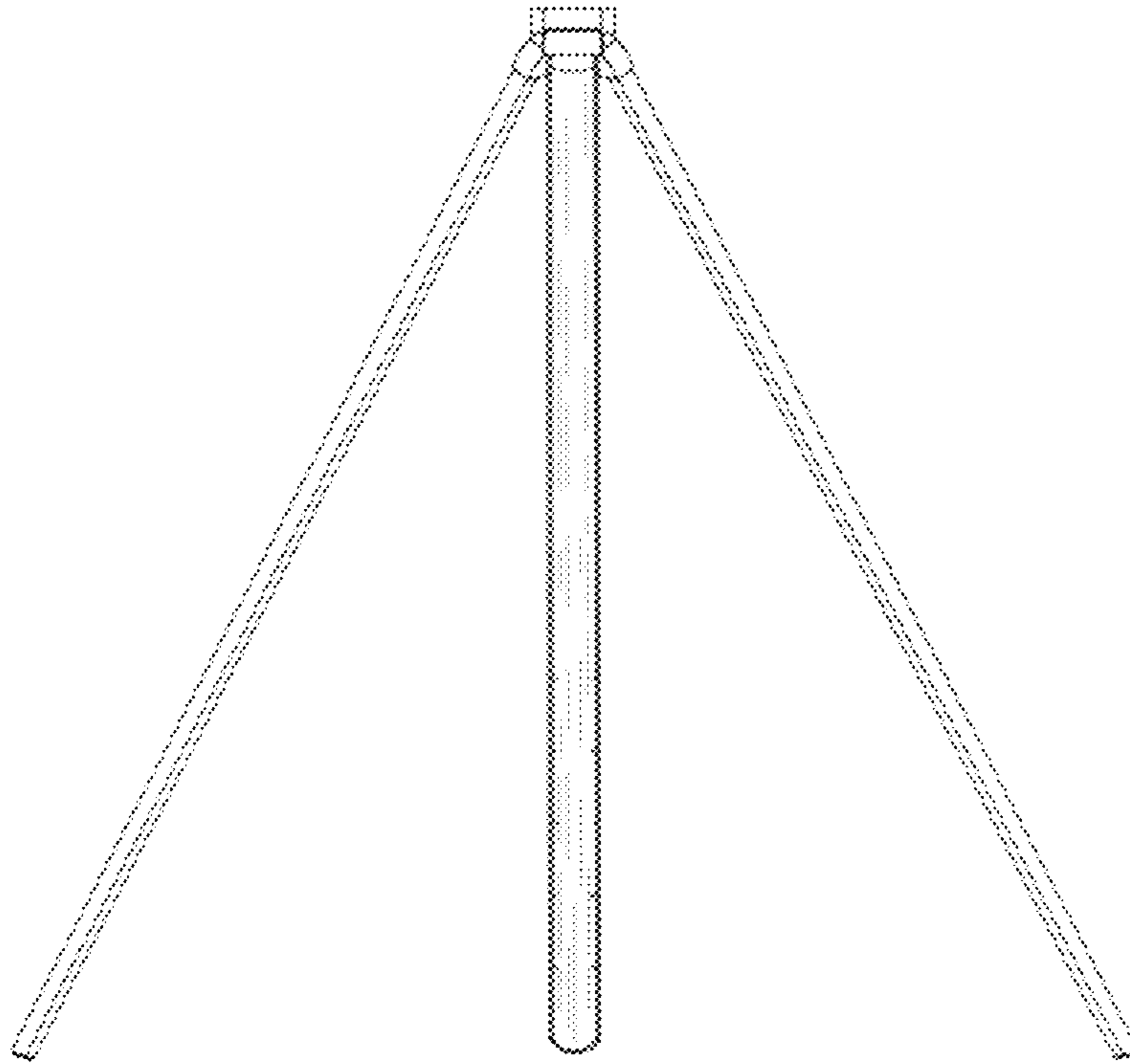
**Fig. 2**



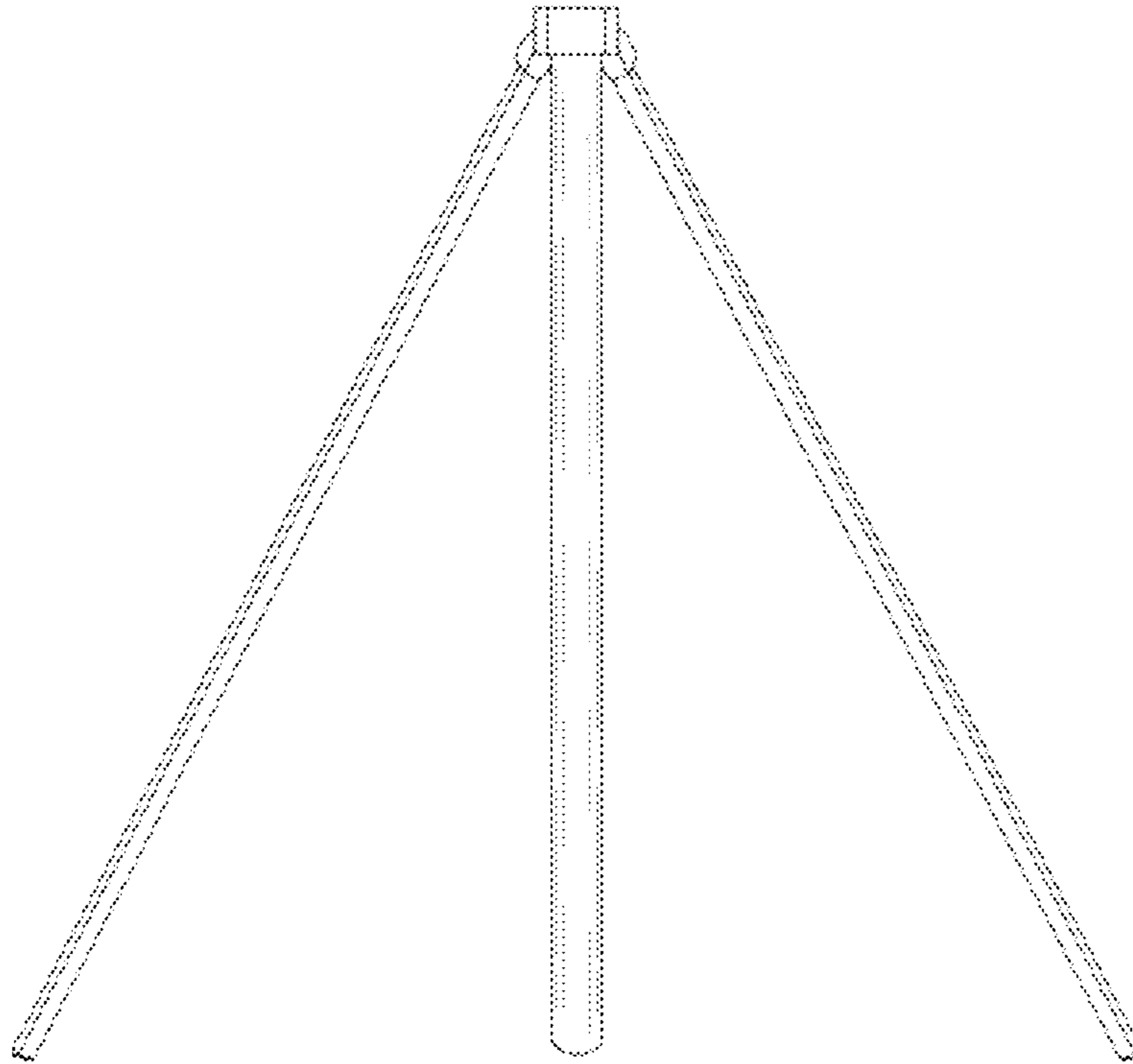
**Fig. 3**



**Fig. 4**

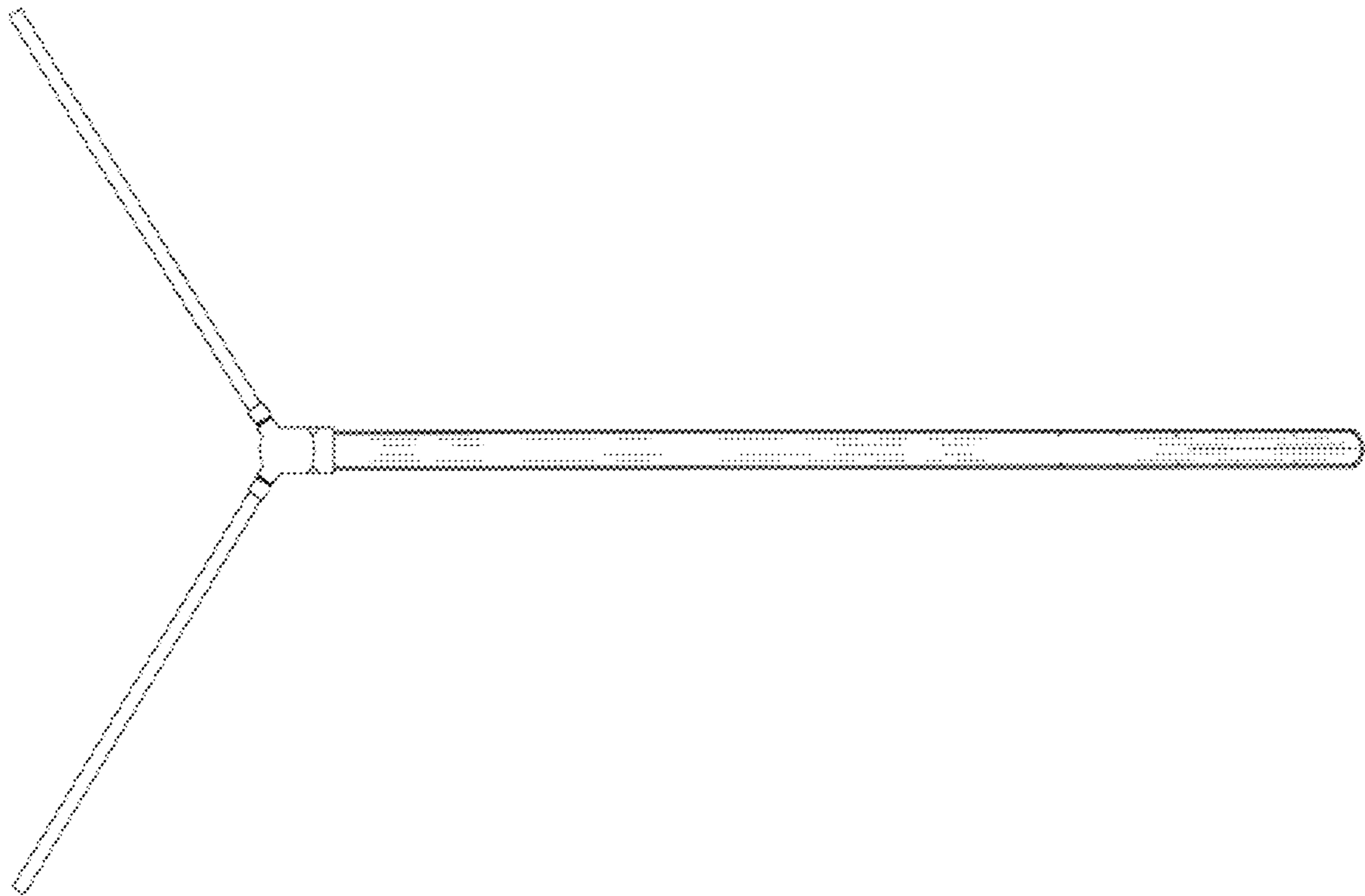


***Fig. 5***

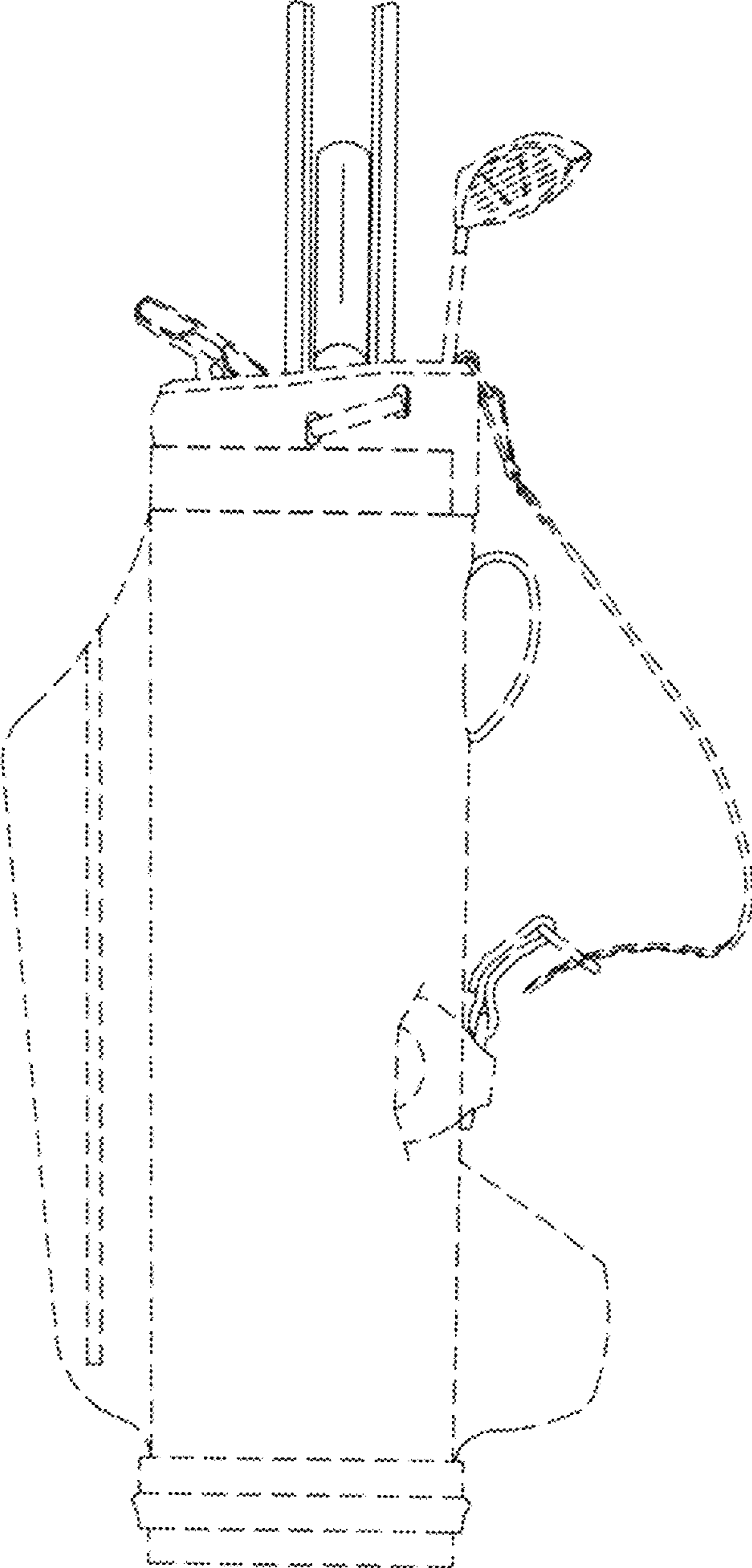


***Fig. 6***





***Fig. 7***



**Fig. 8**