



US00D985084S

(12) **United States Design Patent** (10) **Patent No.:** **US D985,084 S**  
**Kirtley et al.** (45) **Date of Patent:** **\*\* May 2, 2023**

(54) **GOLF CLUB HEAD**  
(71) Applicant: **PARSONS XTREME GOLF, LLC**,  
Scottsdale, AZ (US)  
(72) Inventors: **Daniel C. Kirtley**, Scottsdale, AZ (US);  
**Michael R. Nicolette**, Scottsdale, AZ  
(US)  
(73) Assignee: **PARSONS XTREME GOLF, LLC**,  
Scottsdale, AZ (US)

D261,167 S 10/1981 Swanson  
D294,617 S 3/1988 Perkins  
4,754,977 A 7/1988 Sahm  
D298,643 S 11/1988 Mitsui  
4,824,116 A 4/1989 Nagamoto et al.  
4,988,104 A 1/1991 Shiotani et al.  
5,158,296 A 10/1992 Lee  
5,176,384 A 1/1993 Sata et al.  
5,213,328 A 5/1993 Long et al.  
D336,672 S 6/1993 Gorman  
D346,840 S 5/1994 Fenton

(Continued)

(\*\*) Term: **15 Years**

(21) Appl. No.: **29/859,835**

(22) Filed: **Nov. 14, 2022**

(51) **LOC (14) Cl.** ..... **21-02**

(52) **U.S. Cl.**  
USPC ..... **D21/759**

(58) **Field of Classification Search**  
USPC ..... D21/747-751, 759  
CPC ..... A63B 53/00; A63B 53/02; A63B 53/04;  
A63B 53/047; A63B 53/0475; A63B  
2053/0479; A63B 2053/0483; A63B  
2053/0445; A63B 60/00; A63B 60/46  
See application file for complete search history.

(56) **References Cited**

**U.S. PATENT DOCUMENTS**

1,133,129 A 3/1915 Govan  
D164,469 S 9/1951 Behrendt  
D175,107 S 7/1955 Gordon  
3,020,048 A 2/1962 Carroll  
D203,936 S 3/1966 Long  
D215,101 S 9/1969 Sabat  
D234,963 S 4/1975 Hirata  
D239,550 S 4/1976 Timbrook  
D240,054 S 5/1976 Meissler  
D244,792 S 6/1977 Gelinas  
D250,136 S 10/1978 Gelinas

**OTHER PUBLICATIONS**

Golf irons google search; google.com; Jan. 6, 2023.\*  
Pxxg irons google search; google.com; Jan. 31, 2023.\*  
pxg.com; Jan. 31, 2023.\*

*Primary Examiner* — Mitchell I. Siegel

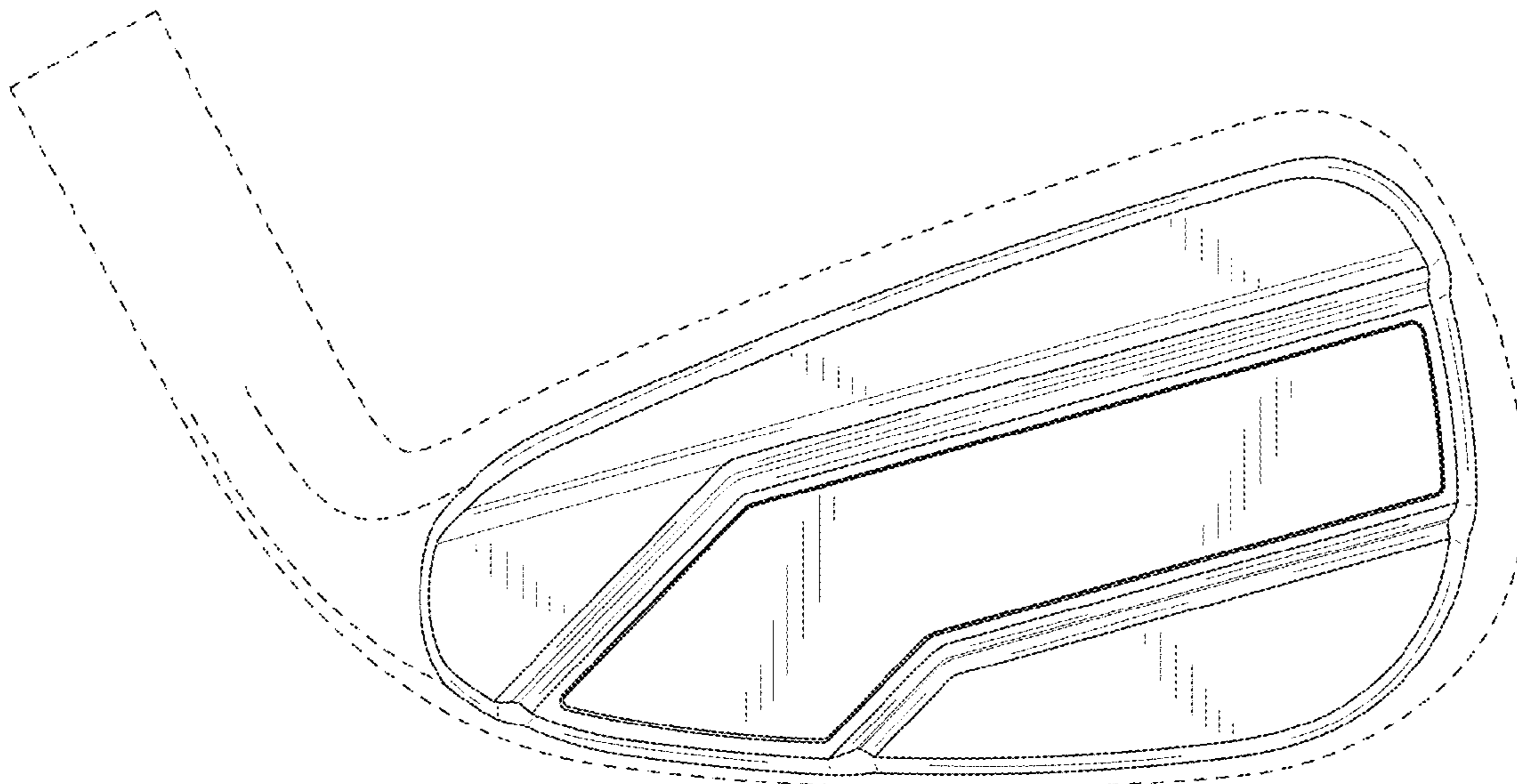
(57) **CLAIM**

The ornamental design for a golf club head, as shown and described.

**DESCRIPTION**

FIG. 1 is a top perspective view of a golf club head according to a first embodiment;  
FIG. 2 is a bottom perspective view of the golf club head of FIG. 1;  
FIG. 3 is a front elevational view of the golf club head of FIG. 1;  
FIG. 4 is a rear elevational view of the golf club head of FIG. 1;  
FIG. 5 is a top view of the golf club head of FIG. 1;  
FIG. 6 is a bottom view of the golf club head of FIG. 1;  
FIG. 7 is a left side view of the golf club head of FIG. 1; and,  
FIG. 8 is a right side view of the golf club head of FIG. 1.  
The broken lines shown on the drawings form no part of the claimed design.

**1 Claim, 4 Drawing Sheets**





(56)

References Cited

U.S. PATENT DOCUMENTS

D353,862 S	12/1994	Saito		D523,917 S	6/2006	Wolfe et al.
D357,520 S	4/1995	Helmstetter et al.		D524,889 S	7/2006	Yu et al.
5,419,560 A	5/1995	Bamber		D530,759 S	10/2006	Nicolette et al.
5,425,535 A	6/1995	Gee		D530,760 S	10/2006	Schweigert et al.
D361,358 S	8/1995	Simmons		7,121,956 B2	10/2006	Lo
5,447,311 A	9/1995	Viollaz et al.		7,128,663 B2	10/2006	Bamber
5,451,056 A	9/1995	Manning		D531,688 S	11/2006	Frame et al.
D362,884 S *	10/1995	Blough	D21/750	D532,849 S	11/2006	Nicolette et al.
D362,885 S *	10/1995	Blough	D21/747	D533,610 S	12/2006	Cleveland
D362,887 S *	10/1995	Blough	D21/747	D534,228 S	12/2006	Nicolette et al.
D364,435 S *	11/1995	Wood	D21/750	D534,595 S	1/2007	Hasebe
D368,753 S *	4/1996	Blough	D21/750	D534,597 S	1/2007	Nicolette et al.
D370,514 S *	6/1996	Blough	D21/750	7,156,751 B2	1/2007	Wahl et al.
5,540,437 A	7/1996	Bamber		D536,759 S	2/2007	Schweigert et al.
D379,106 S	5/1997	Maltby		D537,494 S	2/2007	Jertson et al.
5,637,045 A	6/1997	Igarashi		7,182,698 B2	2/2007	Tseng
5,669,830 A	9/1997	Bamber		D538,366 S	3/2007	Nicolette et al.
D389,540 S	1/1998	Mendenhall		D539,864 S	4/2007	Nicolette et al.
D389,541 S	1/1998	Huan-Chiang		D540,898 S	4/2007	Solheim et al.
D395,476 S	6/1998	Pond et al.		D541,360 S	4/2007	Schweigert et al.
5,766,091 A	6/1998	Humphrey et al.		7,207,900 B2	4/2007	Nicolette et al.
5,766,092 A	6/1998	Mimeur et al.		D543,601 S	5/2007	Kawami
D399,277 S	10/1998	Ezaki		D544,056 S	6/2007	Nicolette et al.
5,827,132 A	10/1998	Bamber		D545,387 S	6/2007	Roberts et al.
D408,485 S	4/1999	Takahashi et al.		D547,410 S	7/2007	Nicolette et al.
5,899,821 A	5/1999	Hsu et al.		D555,219 S	11/2007	Lin
5,935,016 A	8/1999	Antonious		7,303,486 B2	12/2007	Imamoto
D414,535 S	9/1999	Mertens		D559,932 S	1/2008	Belmont
D421,080 S	2/2000	Chen		D561,280 S	2/2008	Rollinson
D426,276 S	6/2000	Besnard et al.		D561,855 S	2/2008	Schweigert et al.
D426,476 S	6/2000	Goss		D562,925 S	2/2008	Schweigert et al.
6,077,171 A	6/2000	Yoneyama		7,351,164 B2	4/2008	Schweigert et al.
D442,659 S	5/2001	Kubica et al.		D570,435 S	6/2008	Sanchez et al.
D443,008 S	5/2001	Kubica et al.		D570,935 S	6/2008	Nicolette et al.
D445,862 S	7/2001	Ford		D570,936 S	6/2008	Schweigert et al.
6,290,609 B1	9/2001	Takeda		D570,942 S	6/2008	Chen et al.
D449,866 S	10/2001	Miller		D571,422 S	6/2008	Schweigert et al.
D457,211 S	5/2002	Bakke		D571,425 S	6/2008	Chen et al.
D458,328 S	6/2002	Solheim et al.		D571,427 S	6/2008	Schweigert et al.
D468,382 S	1/2003	Wahl et al.		D571,881 S	6/2008	Nicolette et al.
D469,832 S *	2/2003	Bode	D21/747	D572,326 S	7/2008	Schweigert et al.
D469,833 S	2/2003	Roberts et al.		D572,329 S	7/2008	Nicolette et al.
D470,554 S	2/2003	Truesdale		D573,219 S	7/2008	Schweigert et al.
D473,605 S	4/2003	Petersen et al.		7,396,299 B2	7/2008	Nicolette et al.
D476,048 S	6/2003	Cleveland et al.		7,413,518 B2	8/2008	Cole et al.
D478,949 S	8/2003	DeLaCruz		D577,783 S	9/2008	Schweigert et al.
D479,568 S	9/2003	Rodgers et al.		D578,590 S	10/2008	Schweigert et al.
6,638,182 B2	10/2003	Kosmatka		D581,000 S	11/2008	Nicolette et al.
6,695,714 B1	2/2004	Bliss et al.		D581,004 S	11/2008	Schweigert et al.
6,702,693 B2	3/2004	Bamber		D584,370 S	1/2009	Cleveland et al.
D488,201 S	4/2004	Wahl et al.		D585,103 S	1/2009	Foster et al.
D492,376 S	6/2004	Nicolette et al.		D586,414 S	2/2009	Foster et al.
D494,240 S	8/2004	Schweigert		D587,327 S	2/2009	Ines et al.
D494,648 S	8/2004	Schweigert et al.		D587,769 S	3/2009	Honea et al.
6,780,123 B2	8/2004	Hasebe		D594,518 S	6/2009	Schweigert
D497,963 S	11/2004	Toulon et al.		D596,256 S	7/2009	Schweigert et al.
6,811,496 B2	11/2004	Wahl et al.		D596,257 S	7/2009	Jertson et al.
D499,779 S	12/2004	Mahaffey et al.		D596,258 S	7/2009	Jertson et al.
D500,350 S	12/2004	Schweigert et al.		D596,688 S	7/2009	Schweigert et al.
D500,351 S	12/2004	Schweigert et al.		D597,158 S	7/2009	Schweigert et al.
D502,237 S	2/2005	Schweigert et al.		D597,616 S	8/2009	Ines et al.
D502,975 S	3/2005	Schweigert et al.		D597,617 S	8/2009	Ines et al.
D503,204 S	3/2005	Nicolette et al.		D597,618 S	8/2009	Ines et al.
D504,925 S	5/2005	Schweigert et al.		D598,060 S	8/2009	Barez et al.
D505,171 S	5/2005	Schweigert et al.		D601,216 S	9/2009	Jertson et al.
D507,029 S	7/2005	Burrows		7,588,502 B2	9/2009	Nishino
D507,320 S	7/2005	Roberts et al.		7,601,075 B2	10/2009	Cole et al.
D507,614 S	7/2005	Schweigert et al.		D604,783 S	11/2009	Nicolette et al.
D508,099 S	8/2005	Schweigert et al.		7,611,424 B2	11/2009	Nagai et al.
D508,545 S	8/2005	Roberts et al.		D606,605 S	12/2009	Wada et al.
6,923,733 B2	8/2005	Chen		D607,070 S	12/2009	Wada et al.
D514,183 S	1/2006	Schweigert et al.		D607,071 S	12/2009	Wada et al.
D516,650 S	3/2006	Wolfe et al.		7,658,686 B2	2/2010	Soracco
D518,863 S	4/2006	Motoyoshi et al.		D612,438 S	3/2010	Carlyle et al.
D523,501 S	6/2006	Nicolette et al.		D612,439 S	3/2010	Carlyle et al.
				D617,406 S	6/2010	Carlyle et al.
				D618,293 S	6/2010	Foster et al.
				7,736,243 B2	6/2010	Sanchez et al.
				7,744,484 B1	6/2010	Chao



(56)

References Cited

U.S. PATENT DOCUMENTS

D619,667 S	7/2010	Cleveland	9,421,437 B2 *	8/2016	Parsons	A63B 60/02
D621,893 S	8/2010	Nicolette et al.	9,427,634 B2 *	8/2016	Parsons	A63B 60/02
D621,894 S	8/2010	Schweigert	9,468,821 B2	10/2016	Parsons et al.	
D621,895 S	8/2010	Schweigert et al.	D773,574 S	12/2016	Oliveiro et al.	
7,798,917 B2	9/2010	Nguyen et al.	D773,575 S	12/2016	Nicolette	
7,815,521 B2	10/2010	Ban et al.	9,533,201 B2	1/2017	Parsons et al.	
D627,409 S	11/2010	Schweigert et al.	9,610,481 B2 *	4/2017	Parsons	A63B 53/0466
D627,410 S	11/2010	Nicolette et al.	D788,236 S	5/2017	Bishop	
7,846,040 B2	12/2010	Ban	9,649,542 B2	5/2017	Nicolette	
D633,159 S	2/2011	Holt et al.	D802,068 S	11/2017	Parsons et al.	
D633,967 S	3/2011	Carlyle et al.	9,814,952 B2	11/2017	Parsons et al.	
D635,627 S	4/2011	Nicolette	D816,787 S	5/2018	Nicolette et al.	
7,938,738 B2	5/2011	Roach	D825,891 S *	8/2018	Parsons	D21/747
D642,642 S	8/2011	Jertson et al.	D827,065 S	8/2018	Nicolette	
D643,488 S	8/2011	Holt et al.	D829,837 S	10/2018	Wolfe	
D643,490 S	8/2011	Wada et al.	D835,737 S	12/2018	Parsons et al.	
D643,491 S	8/2011	Stokke et al.	D846,049 S	4/2019	Becktor	
D643,492 S	8/2011	Nicolette et al.	D852,302 S	6/2019	Parsons et al.	
D643,895 S	8/2011	Wieland	D856,451 S	8/2019	Parsons et al.	
D643,896 S	8/2011	Jertson et al.	D858,667 S *	9/2019	Marukawa	D21/747
D647,582 S	10/2011	Nicolette et al.	D859,548 S *	9/2019	Oyler	D21/747
D647,984 S	11/2011	Atwell et al.	D860,358 S	9/2019	Stokke et al.	
D647,985 S	11/2011	Atwell et al.	D863,478 S	10/2019	Parsons et al.	
D647,987 S	11/2011	Atwell et al.	D866,692 S	11/2019	Kitching, Jr. et al.	
D649,211 S	11/2011	Jertson et al.	10,632,349 B2	4/2020	Parsons et al.	
8,062,150 B2	11/2011	Gilbert et al.	D886,927 S *	6/2020	Milleman	D21/747
D651,268 S	12/2011	Nicolette et al.	D893,647 S	8/2020	Parsons et al.	
8,088,025 B2	1/2012	Wahl et al.	D893,648 S	8/2020	Parsons et al.	
8,092,319 B1	1/2012	Cackett et al.	D894,301 S *	8/2020	Parsons	D21/747
8,105,180 B1	1/2012	Cackett et al.	D894,302 S	8/2020	Parsons et al.	
8,142,307 B2	3/2012	Sanchez et al.	10,729,948 B2	8/2020	Parsons et al.	
D658,248 S	4/2012	Nunez et al.	10,729,949 B2	8/2020	Parsons et al.	
8,221,262 B1	7/2012	Cackett et al.	D898,143 S	10/2020	Parsons et al.	
8,246,487 B1	8/2012	Cackett et al.	D898,144 S	10/2020	Parsons et al.	
D669,947 S	10/2012	Kim et al.	D898,145 S	10/2020	Parsons et al.	
D670,775 S	11/2012	Jertson et al.	D900,259 S	10/2020	Wolfe et al.	
D672,417 S	12/2012	Jertson et al.	D900,260 S	10/2020	Wolfe et al.	
8,328,662 B2	12/2012	Nakamura et al.	10,874,919 B2	12/2020	Parsons et al.	
D673,633 S	1/2013	Jertson et al.	D910,128 S	2/2021	Kitching, Jr. et al.	
D673,634 S	1/2013	Jertson et al.	D915,535 S	4/2021	Parsons et al.	
8,376,878 B2	2/2013	Bennett et al.	D916,220 S	4/2021	Parsons et al.	
D680,603 S	4/2013	Nicolette et al.	D921,796 S	6/2021	Parsons et al.	
D681,142 S	4/2013	Fossum et al.	D922,506 S	6/2021	Parsons et al.	
D681,143 S	4/2013	Nicolette et al.	D926,272 S	7/2021	Cleghorn et al.	
8,414,422 B2	4/2013	Peralta et al.	D926,900 S	8/2021	Nicolette et al.	
8,506,420 B2	8/2013	Hocknell et al.	D927,620 S *	8/2021	Nicolette	D21/747
8,545,343 B2	10/2013	Boyd et al.	D928,261 S	8/2021	Clarke et al.	
8,574,094 B2	11/2013	Nicolette et al.	D930,772 S *	9/2021	Nicolette	D21/747
8,657,700 B2	2/2014	Nicolette et al.	D934,971 S *	11/2021	Agrella	D21/747
8,663,026 B2	3/2014	Blowers et al.	D935,542 S	11/2021	Parsons et al.	
D703,282 S	4/2014	Breier et al.	D938,533 S	12/2021	Nicolette et al.	
8,690,710 B2	4/2014	Nicolette et al.	D938,534 S	12/2021	Parsons et al.	
D707,316 S	6/2014	Aguayo et al.	D940,261 S	1/2022	Parsons et al.	
D707,317 S	6/2014	Aguayo et al.	D940,262 S	1/2022	Parsons et al.	
8,753,230 B2	6/2014	Stokke et al.	D956,897 S *	7/2022	Nicolette	D21/747
D708,688 S	7/2014	Nicolette et al.	D962,370 S *	8/2022	Kirtley	D21/747
8,827,832 B2	9/2014	Breier et al.	D962,371 S	8/2022	Parsons et al.	
8,827,833 B2	9/2014	Amano et al.	D962,372 S	8/2022	Nicolette	
8,845,455 B2	9/2014	Ban et al.	D970,662 S *	11/2022	Demkowski	D21/747
D716,387 S	10/2014	Aguayo et al.	2002/0107087 A1	8/2002	Fagot	
D716,388 S	10/2014	Aguayo et al.	2003/0139226 A1	7/2003	Cheng et al.	
D716,391 S	10/2014	Roche et al.	2003/0176231 A1	9/2003	Hasebe	
D722,352 S *	2/2015	Nicolette	2004/0204263 A1	10/2004	Fagot et al.	
D723,120 S	2/2015	Nicolette	2005/0009632 A1	1/2005	Schweigert et al.	
8,961,336 B1	2/2015	Parsons et al.	2005/0014573 A1	1/2005	Lee	
D726,265 S	4/2015	Nicolette	2005/0096148 A1	5/2005	Noble et al.	
9,199,143 B1	12/2015	Parsons et al.	2005/0119066 A1	6/2005	Stites et al.	
D746,926 S	1/2016	Parsons et al.	2005/0239569 A1	10/2005	Best et al.	
D748,214 S *	1/2016	Nicolette	2005/0277485 A1	12/2005	Hou et al.	
D748,749 S *	2/2016	Nicolette	2006/0111200 A1	5/2006	Poynor	
D756,471 S *	5/2016	Nicolette	2007/0032308 A1	2/2007	Fagot et al.	
9,346,203 B2	5/2016	Parsons et al.	2007/0225084 A1	9/2007	Schweigert et al.	
9,364,727 B2 *	6/2016	Parsons	2008/0058113 A1	3/2008	Nicolette et al.	
D762,792 S	8/2016	Oliveiro et al.	2008/0188322 A1	8/2008	Anderson et al.	
D764,610 S	8/2016	Parsons et al.	2008/0300065 A1	12/2008	Schweigert	
			2009/0029790 A1	1/2009	Nicolette et al.	
			2010/0130306 A1	5/2010	Schweigert	
			2010/0178999 A1	7/2010	Nicolette et al.	
			2011/0111883 A1	5/2011	Cackett	

(56)

References Cited

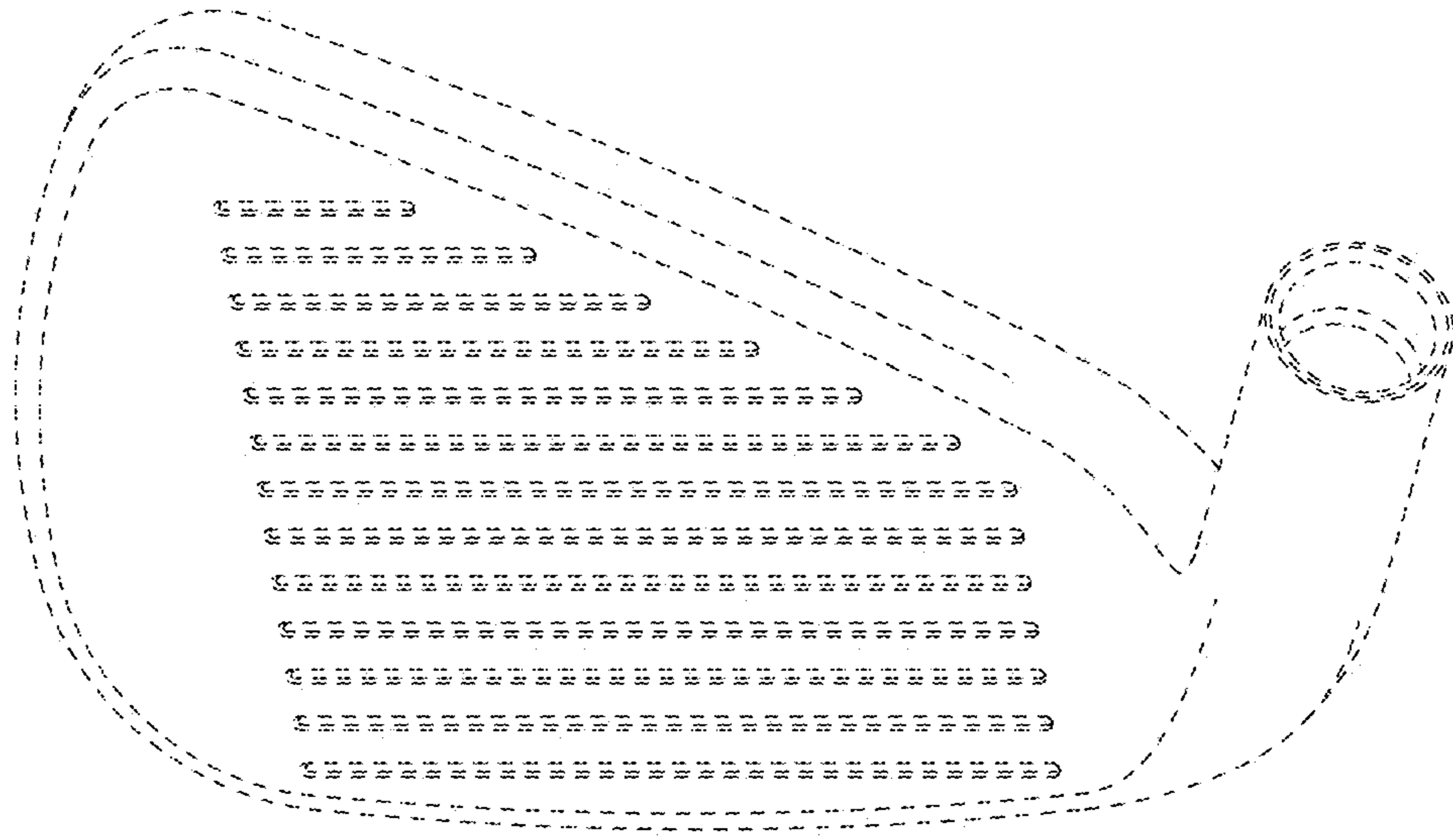
U.S. PATENT DOCUMENTS

2011/0165963 A1 7/2011 Cackett et al.  
 2011/0269567 A1 11/2011 Ban et al.  
 2011/0294596 A1 12/2011 Ban  
 2013/0137532 A1 5/2013 Deshmukh et al.  
 2013/0225319 A1 8/2013 Kato  
 2013/0281226 A1 10/2013 Ban  
 2013/0288823 A1 10/2013 Hebreo  
 2013/0303303 A1 11/2013 Ban  
 2013/0310192 A1 11/2013 Wahl et al.  
 2014/0080621 A1 3/2014 Nicolette et al.  
 2014/0128175 A1 5/2014 Jertson et al.  
 2014/0274441 A1 9/2014 Greer  
 2014/0274451 A1 9/2014 Knight et al.  
 2015/0231454 A1\* 8/2015 Parsons ..... A63B 53/0475  
 473/335  
 2015/0231806 A1 8/2015 Parsons et al.  
 2015/0328508 A1\* 11/2015 Parsons ..... B29C 45/20  
 473/350  
 2017/0368429 A1\* 12/2017 Parsons ..... A63B 53/0466  
 2018/0104551 A1\* 4/2018 Parsons ..... A63B 53/047

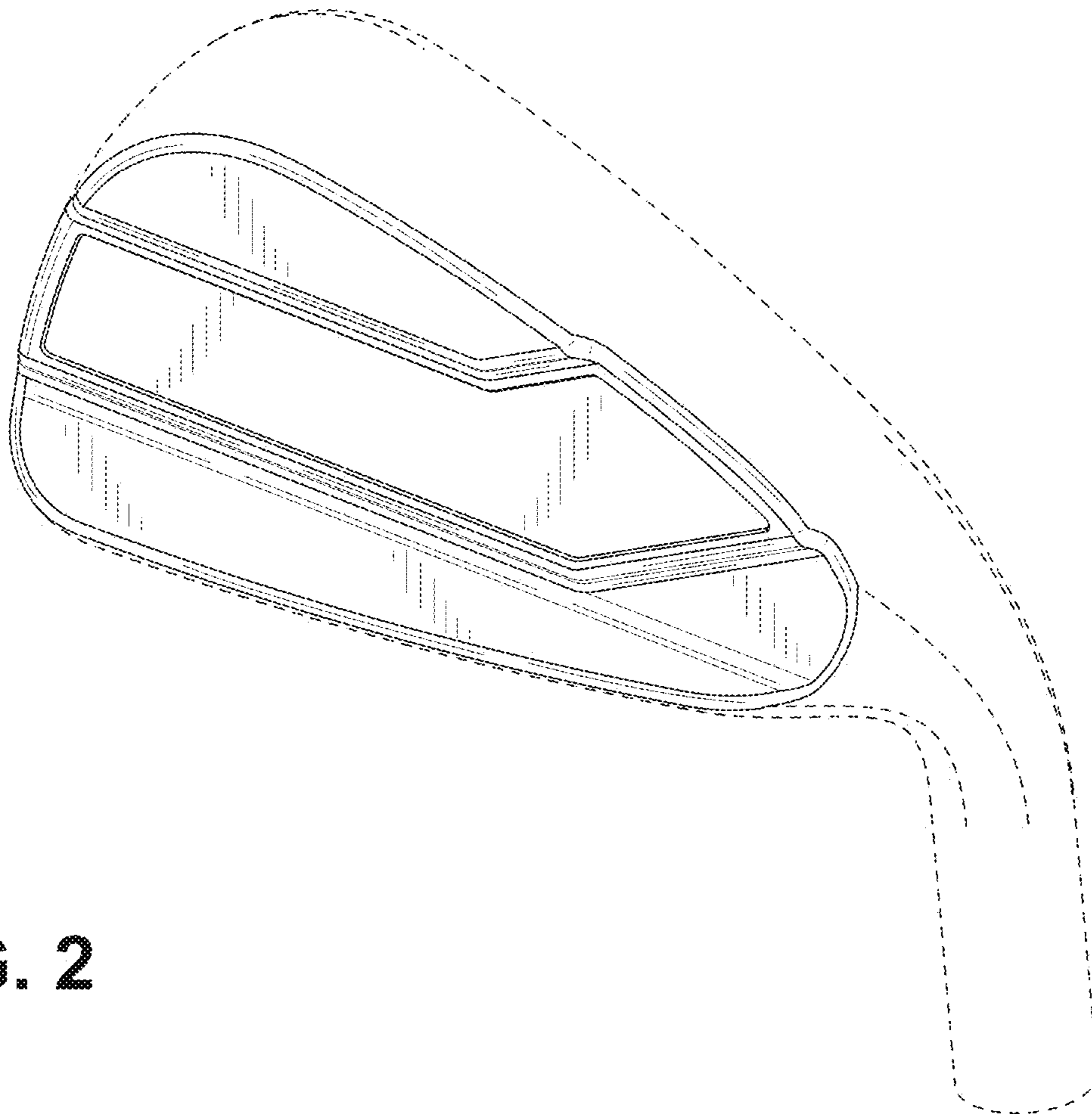
2018/0140910 A1\* 5/2018 Parsons ..... A63B 53/0475  
 2018/0169488 A1\* 6/2018 Parsons ..... A63B 53/047  
 2018/0207494 A1\* 7/2018 Parsons ..... A63B 60/54  
 2018/0221727 A1\* 8/2018 Parsons ..... A63B 60/54  
 2018/0236325 A1\* 8/2018 Parsons ..... A63B 53/0487  
 2018/0318673 A1\* 11/2018 Parsons ..... A63B 60/02  
 2019/0143183 A1\* 5/2019 Parsons ..... A63B 53/047  
 473/332  
 2019/0201758 A1\* 7/2019 Parsons ..... A63B 53/0487  
 2019/0232124 A1\* 8/2019 Parsons ..... A63B 53/0475  
 2019/0232125 A1\* 8/2019 Parsons ..... A63B 53/047  
 2019/0232126 A1\* 8/2019 Nicolette ..... A63B 60/02  
 2019/0240549 A1\* 8/2019 Parsons ..... A63B 53/0487  
 2019/0247726 A1 8/2019 Parsons et al.  
 2019/0247727 A1\* 8/2019 Parsons ..... A63B 53/0487  
 2020/0047038 A1\* 2/2020 Parsons ..... A63B 53/0412  
 2020/0070018 A1\* 3/2020 Parsons ..... A63B 53/047  
 2020/0346082 A1\* 11/2020 Parsons ..... A63B 53/047  
 2020/0353326 A1\* 11/2020 Parsons ..... A63B 53/0466  
 2020/0376353 A1\* 12/2020 Parsons ..... A63B 53/0475  
 2021/0008420 A1\* 1/2021 Parsons ..... A63B 53/0487  
 2021/0016141 A1\* 1/2021 Parsons ..... A63B 53/047

\* cited by examiner

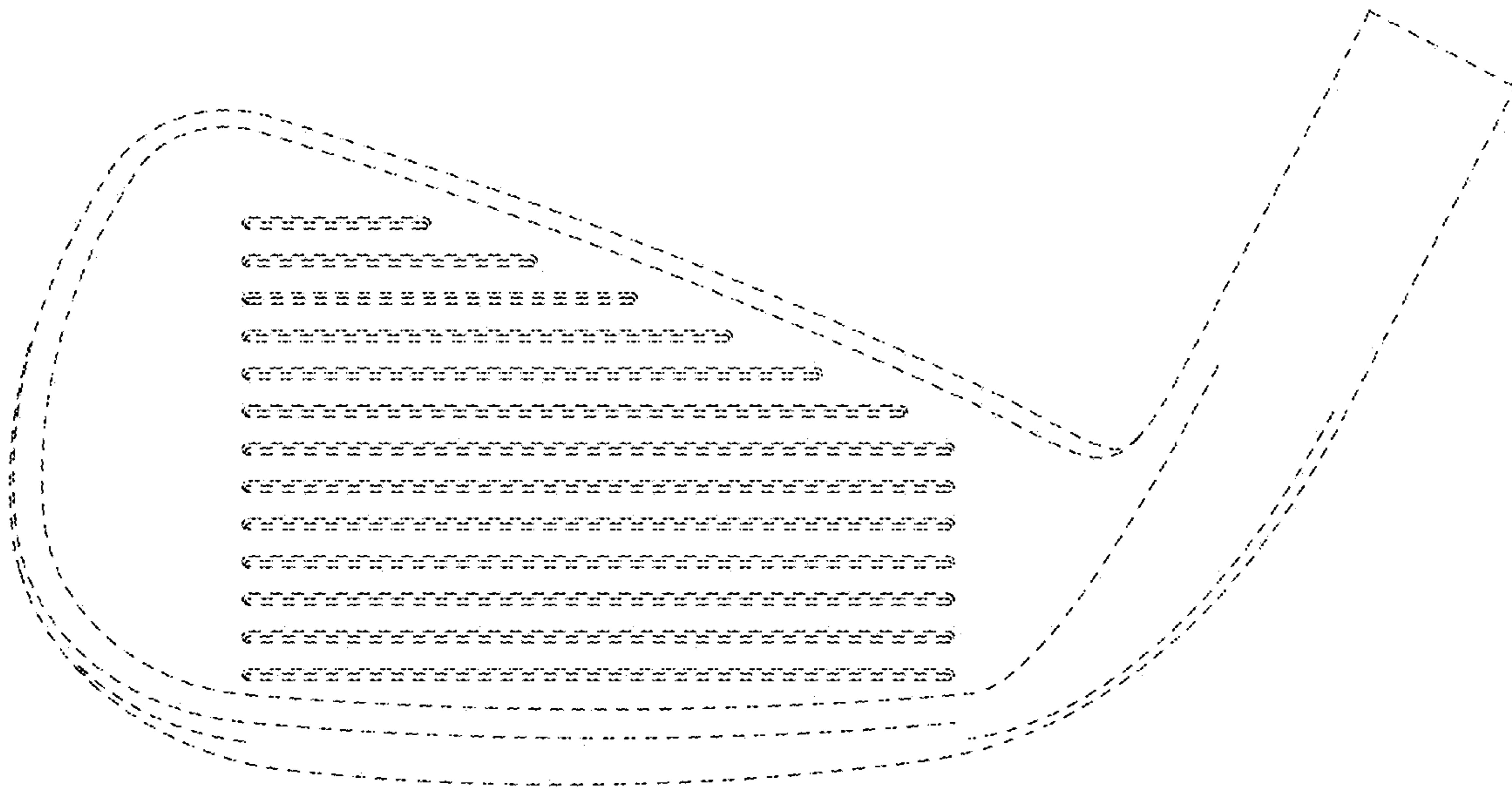




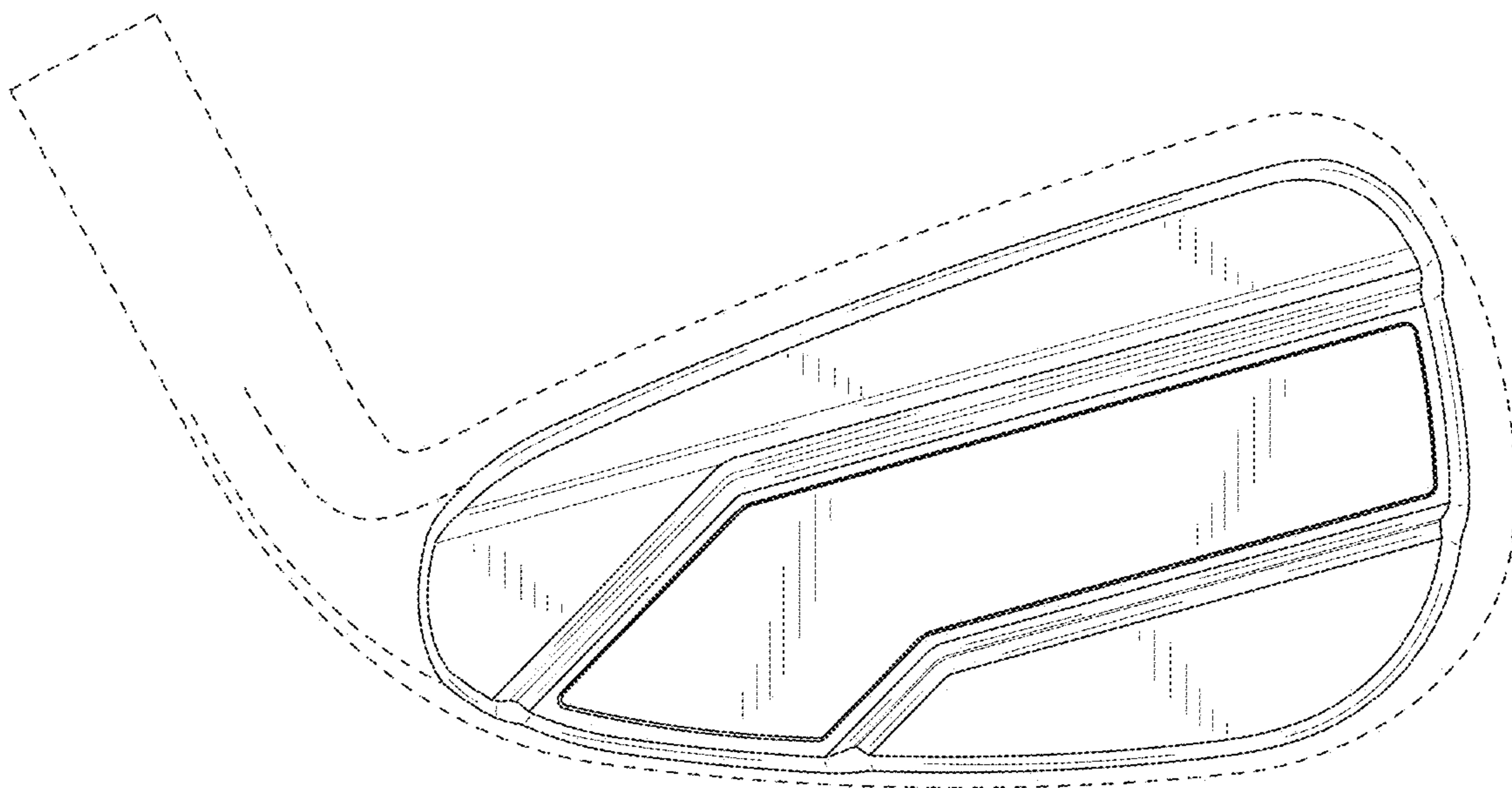
**FIG. 1**



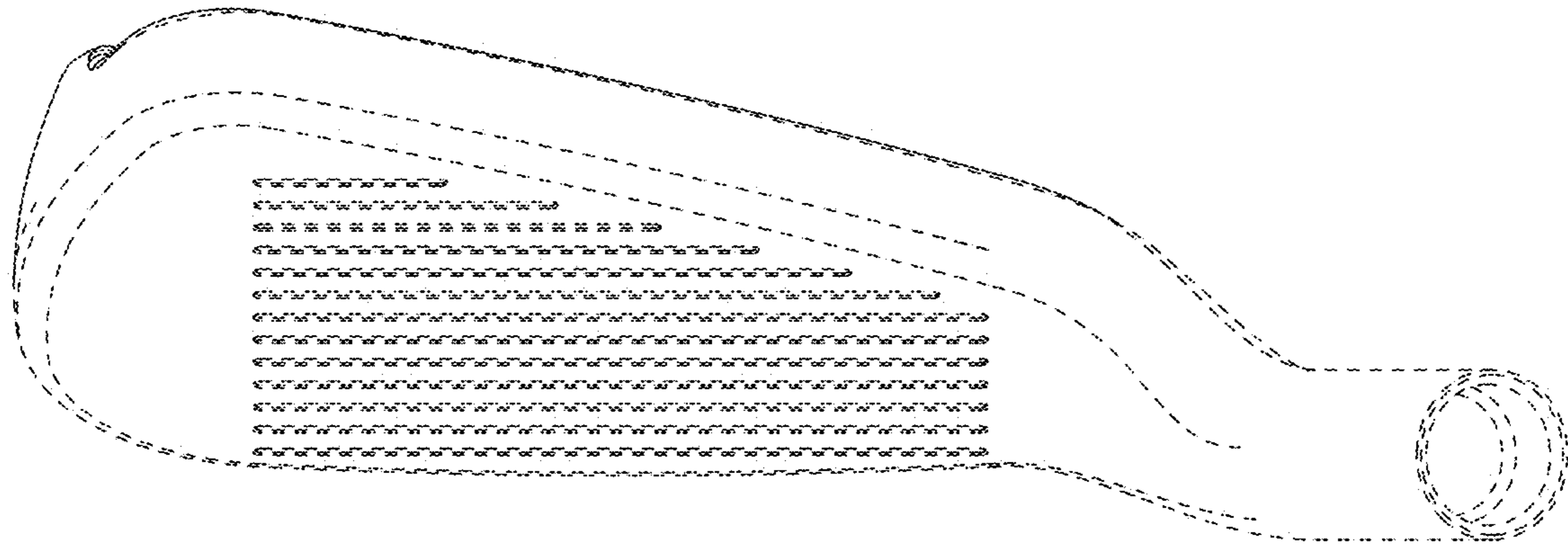
**FIG. 2**



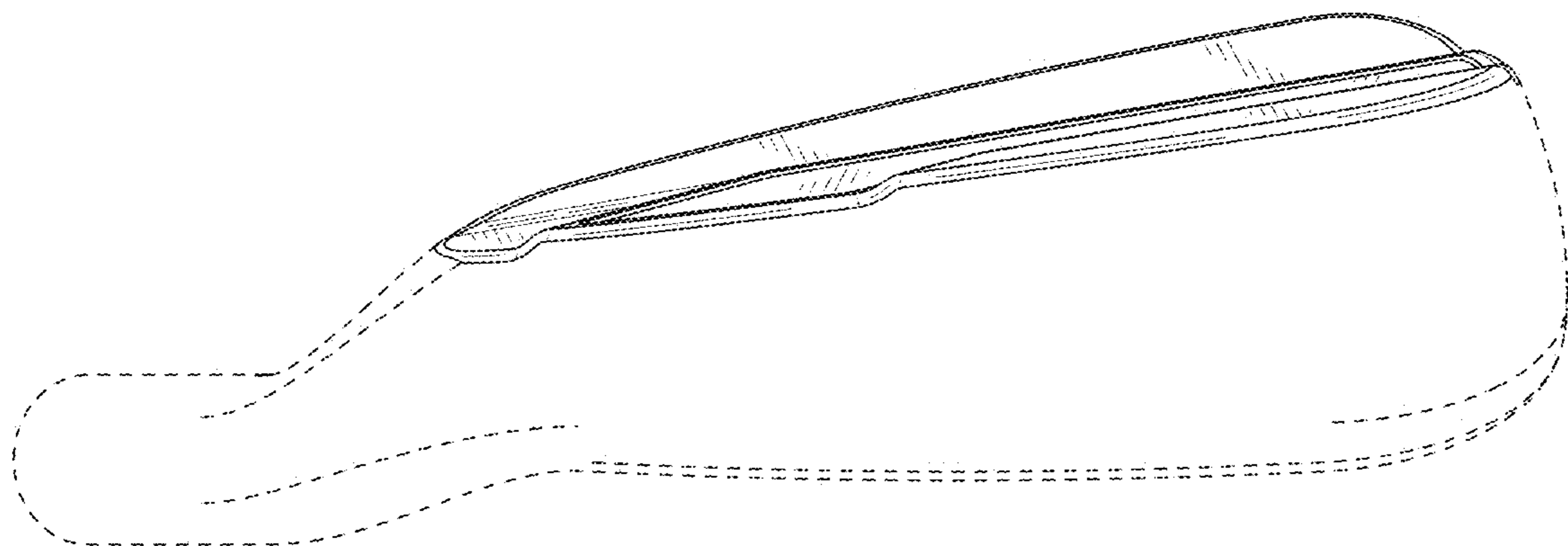
**FIG. 3**



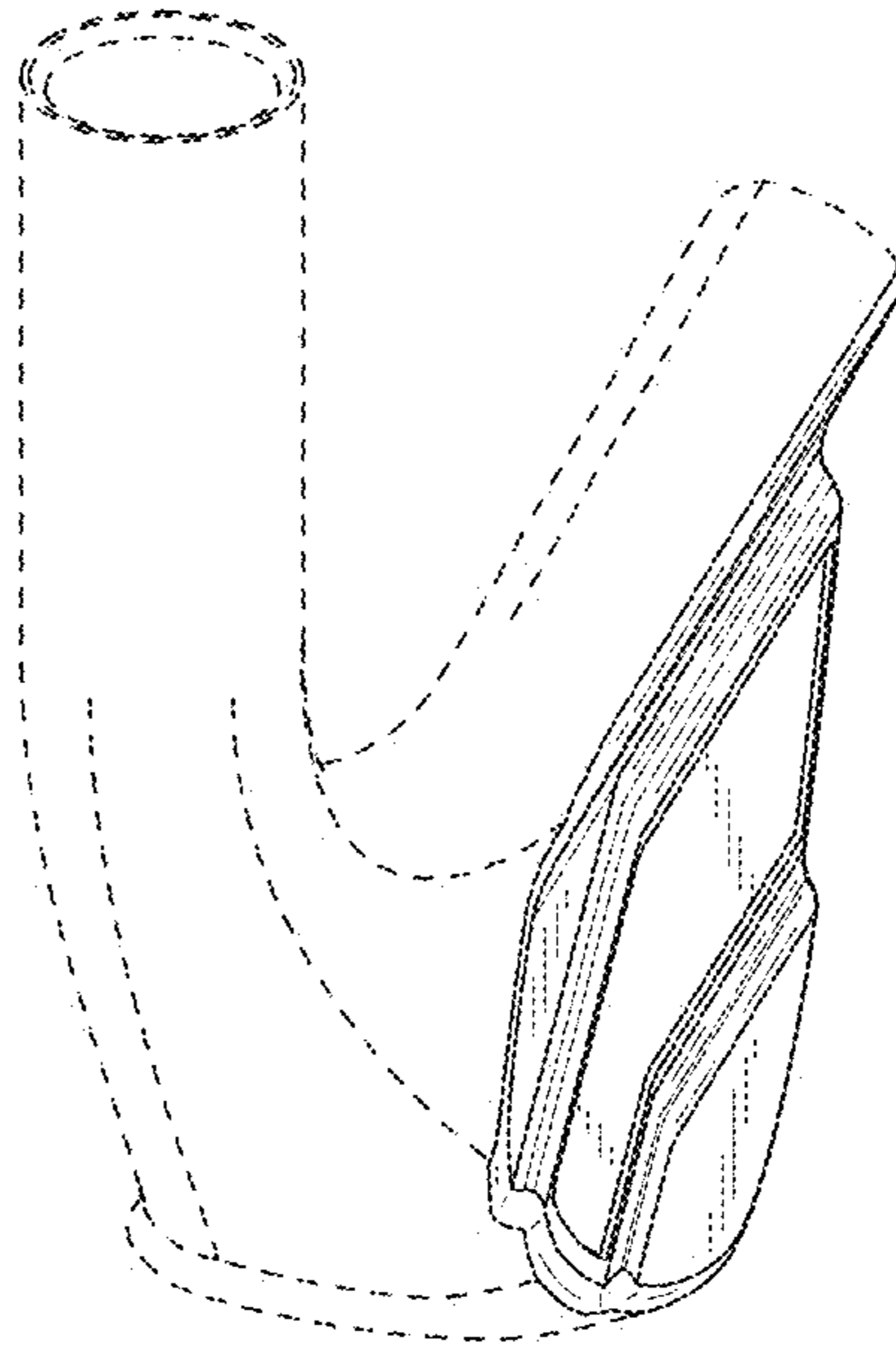
**FIG. 4**



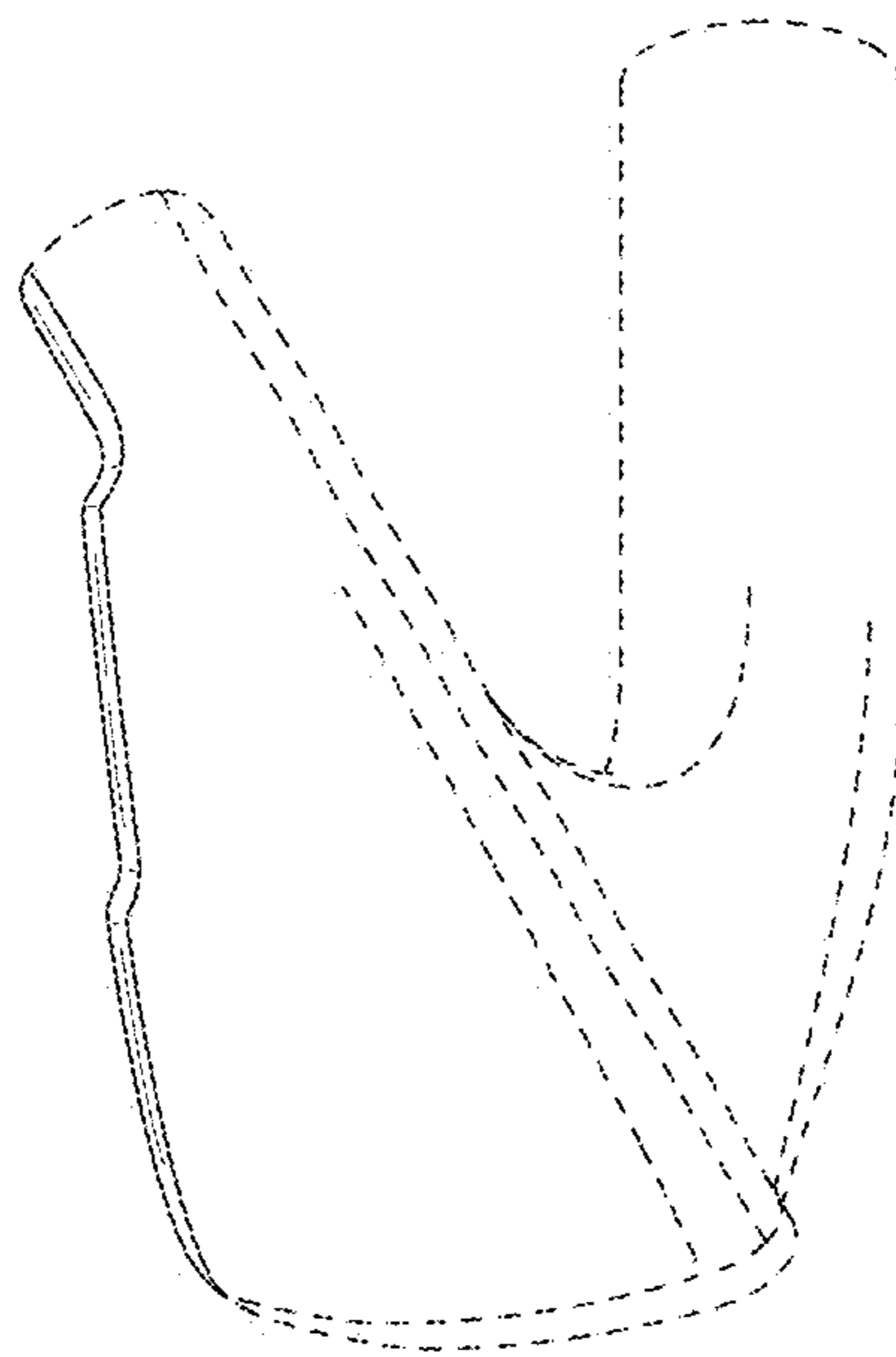
**FIG. 5**



**FIG. 6**



**FIG. 7**



**FIG. 8**