



US00D985083S

(12) **United States Design Patent**
Kroloff

(10) **Patent No.:** **US D985,083 S**

(45) **Date of Patent:** **** May 2, 2023**

(54) **GOLF CLUB HEAD**

(71) Applicant: **PARSONS XTREME GOLF, LLC**,
Scottsdale, AZ (US)

(72) Inventor: **Caleb S. Kroloff**, Phoenix, AZ (US)

(73) Assignee: **PARSONS XTREME GOLF, LLC**,
Scottsdale, AZ (US)

(**) Term: **15 Years**

(21) Appl. No.: **29/772,625**

(22) Filed: **Mar. 3, 2021**

(51) **LOC (14) Cl.** **21-02**

(52) **U.S. Cl.**
USPC **D21/747**

(58) **Field of Classification Search**
USPC D21/747-752, 759, 733
CPC A63B 53/00; A63B 53/02; A63B 53/04;
A63B 53/047; A63B 53/0475; A63B
2053/0479; A63B 2053/0483; A63B
2053/0445; A63B 53/0466; A63B
2053/0433; A63B 2053/0491; A63B
2053/0437; A63B 60/00; A63B 60/46
See application file for complete search history.

(56) **References Cited**

U.S. PATENT DOCUMENTS

1,133,129 A	3/1915	Govan
2,254,528 A	9/1941	Hoare
D164,469 S	9/1951	Behrendt
D164,597 S	9/1951	Penna
D175,107 S	7/1955	Gordon
3,020,048 A	2/1962	Carroll
D203,936 S	3/1966	Long
D215,101 S	9/1969	Sabat
D234,963 S	4/1975	Hirata
D239,550 S	4/1976	Timbrook
D240,054 S	5/1976	Meissler
D244,792 S	6/1977	Gelinas

D250,136 S	10/1978	Gelinas	
D261,167 S	10/1981	Swanson	
D294,617 S	3/1988	Perkins	
D294,817 S	3/1988	Preisler	
4,754,977 A	7/1988	Sahm	
4,824,116 A	4/1989	Nagamoto et al.	
4,988,104 A	1/1991	Shiotani et al.	
5,158,296 A	10/1992	Lee	
5,176,384 A	1/1993	Sata et al.	
5,213,328 A	5/1993	Long	
D336,672 S	6/1993	Gorman	
D339,397 S *	9/1993	Inuma	D21/750
D353,862 S	12/1994	Saito	

(Continued)

OTHER PUBLICATIONS

pxg.com; Dec. 8, 2022.*

(Continued)

Primary Examiner — Mitchell I. Siegel

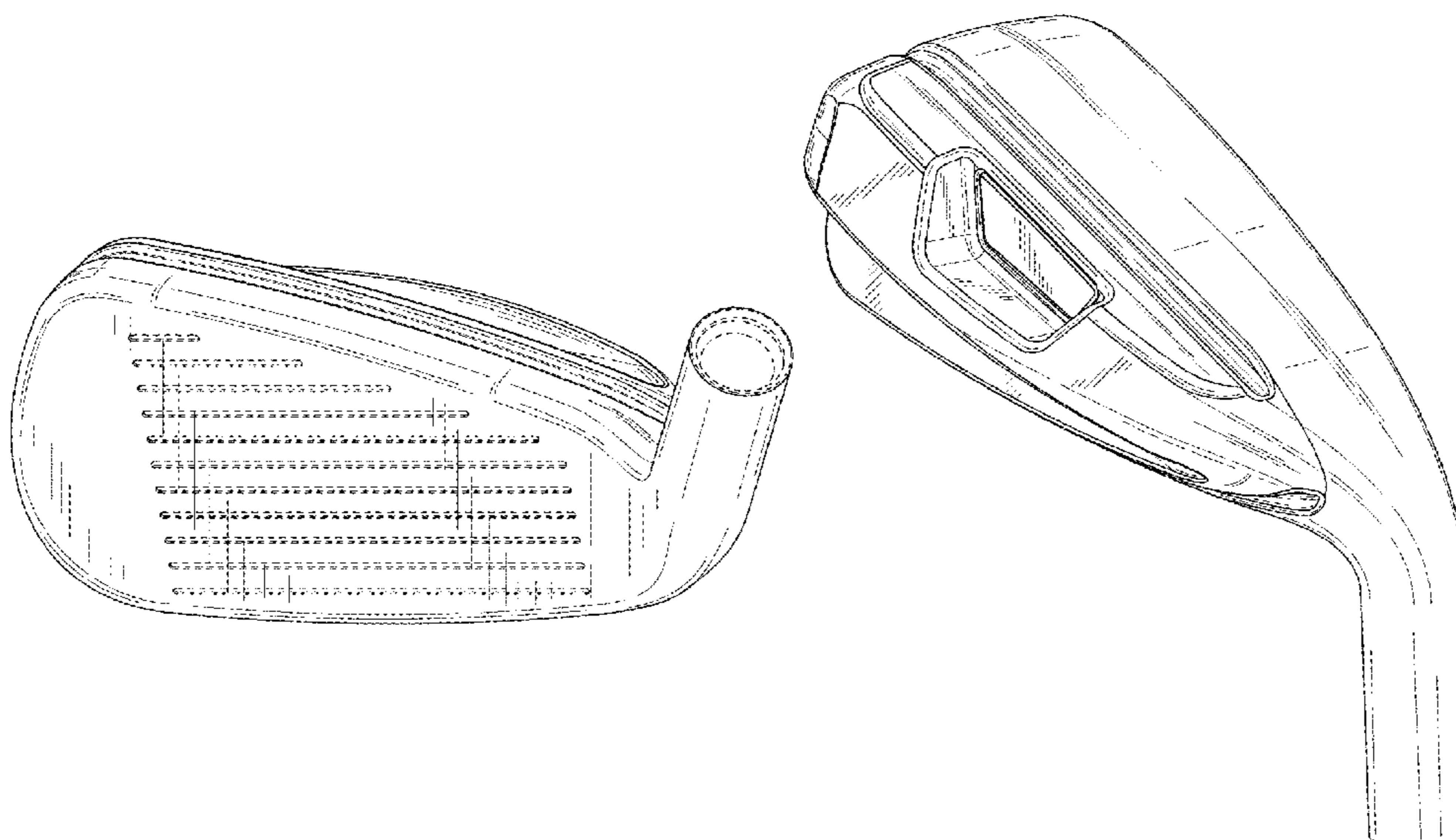
(57) **CLAIM**

The ornamental design for a golf club head, as shown and described.

DESCRIPTION

FIG. 1 is a top perspective view of a golf club head according to a first embodiment;
FIG. 2 is a bottom perspective view of the golf club head of FIG. 1;
FIG. 3 is a front elevational view of the golf club head of FIG. 1;
FIG. 4 is a rear elevational view of the golf club head of FIG. 1;
FIG. 5 is a top view of the golf club head of FIG. 1;
FIG. 6 is a bottom view of the golf club head of FIG. 1;
FIG. 7 is a left side view of the golf club head of FIG. 1; and,
FIG. 8 is a right side view of the golf club head of FIG. 1.
The broken lines shown on the drawings form no part of the claimed design.

1 Claim, 4 Drawing Sheets



(56)

References Cited

U.S. PATENT DOCUMENTS

D612,439 S	3/2010	Carlyle et al.	9,199,143 B1	12/2015	Parsons et al.
D617,406 S	6/2010	Carlyle et al.	D746,749 S	1/2016	Baum et al.
D618,293 S	6/2010	Foster et al.	D746,926 S	1/2016	Parsons et al.
7,736,243 B2	6/2010	Sanchez et al.	D748,214 S	1/2016	Nicolette et al.
7,744,484 B1	6/2010	Chao	D748,749 S	2/2016	Nicolette et al.
D621,893 S	8/2010	Nicolette et al.	D756,471 S	5/2016	Nicolette et al.
D621,894 S	8/2010	Schweigert	9,345,938 B2	5/2016	Parsons et al.
D621,895 S	8/2010	Schweigert et al.	D762,792 S	8/2016	Oliveiro et al.
7,798,917 B2	9/2010	Nguyen et al.	D762,793 S	8/2016	Takechi et al.
7,815,521 B2	10/2010	Ban et al.	D764,610 S	8/2016	Parsons et al.
D627,409 S	11/2010	Schweigert et al.	9,421,437 B2	8/2016	Parsons et al.
D627,410 S	11/2010	Nicolette et al.	9,427,634 B2	8/2016	Parsons et al.
7,846,040 B2	12/2010	Ban	9,468,821 B2	10/2016	Parsons et al.
D633,159 S	2/2011	Holt et al.	D773,574 S	12/2016	Oliveiro et al.
D633,967 S	3/2011	Carlyle et al.	D773,575 S	12/2016	Nicolette
D635,627 S	4/2011	Nicolette	9,533,201 B2	1/2017	Parsons et al.
7,938,738 B2	5/2011	Roach	9,610,481 B2	4/2017	Parsons et al.
D642,642 S	8/2011	Jertson et al.	9,649,542 B2	5/2017	Nicolette
D643,488 S	8/2011	Holt et al.	D795,979 S	8/2017	Parsons et al.
D643,490 S	8/2011	Wada et al.	9,764,208 B1	9/2017	Parsons et al.
D643,491 S	8/2011	Stokke et al.	D802,068 S	11/2017	Parsons et al.
D643,492 S	8/2011	Nicolette et al.	D816,787 S	5/2018	Nicolette et al.
D643,895 S	8/2011	Wieland	D825,891 S	8/2018	Parsons et al.
D643,896 S	8/2011	Jertson et al.	D827,065 S	8/2018	Nicolette
D647,582 S	10/2011	Nicolette et al.	D829,837 S	10/2018	Wolfe
D647,984 S	11/2011	Atwell et al.	D832,953 S	11/2018	Bacon
D649,211 S	11/2011	Jertson et al.	D835,737 S	12/2018	Parsons et al.
8,062,150 B2	11/2011	Gilbert et al.	D852,302 S	6/2019	Parsons et al.
D651,268 S	12/2011	Nicolette et al.	D856,450 S	8/2019	Milleman et al.
8,088,025 B2	1/2012	Wahl et al.	D856,451 S	8/2019	Parsons et al.
8,092,319 B1	1/2012	Cackett et al.	D857,820 S	8/2019	Marukawa et al.
8,105,180 B1	1/2012	Cackett et al.	D859,547 S	9/2019	Stokke et al.
8,142,307 B2	3/2012	Sanchez et al.	D863,478 S	10/2019	Parsons et al.
D658,248 S	4/2012	Nunez et al.	2002/0107087 A1	8/2002	Fagot
D659,780 S	5/2012	Llewellyn et al.	2003/0139226 A1	7/2003	Cheng et al.
D660,389 S *	5/2012	Voshall D21/759	2003/0176231 A1	9/2003	Hasebe
8,221,262 B1	7/2012	Cackett et al.	2004/0204263 A1	10/2004	Fagot et al.
8,246,487 B1	8/2012	Cackett et al.	2005/0009632 A1	1/2005	Schweigert et al.
8,257,197 B2 *	9/2012	Schweigert A63B 53/047 473/345	2005/0014573 A1	1/2005	Lee
D670,775 S	11/2012	Jertson et al.	2005/0096148 A1	5/2005	Noble et al.
D672,417 S	12/2012	Jertson et al.	2005/0119066 A1	6/2005	Stites et al.
8,328,662 B2	12/2012	Nakamura et al.	2005/0239569 A1	10/2005	Best et al.
D673,633 S	1/2013	Jertson et al.	2005/0277485 A1	12/2005	Hou et al.
D673,634 S	1/2013	Jertson et al.	2006/0111200 A1	5/2006	Poynor
D676,908 S *	2/2013	Aoki D21/747	2007/0032308 A1	2/2007	Fagot et al.
8,376,878 B2	2/2013	Bennett et al.	2007/0225084 A1	9/2007	Schweigert et al.
D680,603 S	4/2013	Nicolette et al.	2008/0058113 A1	3/2008	Nicolette et al.
D681,142 S *	4/2013	Fossum D21/747	2008/0188322 A1	8/2008	Anderson et al.
D681,143 S	4/2013	Nicolette et al.	2008/0300065 A1	12/2008	Schweigert
8,414,422 B2	4/2013	Peralta et al.	2009/0029790 A1	1/2009	Nicolette et al.
D682,377 S *	5/2013	Voshall D21/759	2010/0130306 A1	5/2010	Schweigert
D684,644 S *	6/2013	Cleveland D21/747	2010/0178999 A1	7/2010	Nicolette et al.
8,506,420 B2	8/2013	Hocknell et al.	2010/0285901 A1 *	11/2010	Schweigert A63B 60/00 473/345
8,545,343 B2	10/2013	Boyd et al.	2011/0111683 A1	5/2011	Kelnhofer
8,574,094 B2	11/2013	Nicolette et al.	2011/0111883 A1	5/2011	Cackett
8,657,700 B2	2/2014	Nicolette et al.	2011/0165963 A1	7/2011	Cackett et al.
8,663,026 B2	3/2014	Blowers et al.	2011/0269567 A1	11/2011	Ban et al.
8,690,710 B2	4/2014	Nicolette et al.	2011/0294596 A1	12/2011	Ban
D707,316 S	6/2014	Aguayo et al.	2012/0267410 A1	10/2012	Loudenslager et al.
D707,317 S	6/2014	Aguayo et al.	2013/0137532 A1	5/2013	Deshmukh et al.
8,753,230 B2	6/2014	Stokke et al.	2013/0225319 A1	8/2013	Kato
D708,688 S	7/2014	Nicolette et al.	2013/0281226 A1	10/2013	Ban
8,827,832 B2	9/2014	Breier et al.	2013/0288823 A1	10/2013	Hebreo
8,827,833 B2	9/2014	Amano et al.	2013/0303303 A1	11/2013	Ban
8,845,455 B2	9/2014	Ban et al.	2013/0310192 A1	11/2013	Wahl et al.
D716,387 S	10/2014	Aguayo et al.	2014/0080621 A1	3/2014	Nicolette et al.
D716,388 S	10/2014	Aguayo et al.	2014/0128175 A1	5/2014	Jertson et al.
D716,391 S	10/2014	Roche et al.	2014/0274441 A1	9/2014	Greer
D719,627 S	12/2014	Wieland et al.	2014/0274451 A1	9/2014	Knight et al.
D722,352 S	2/2015	Nicolette et al.	2015/0136825 A1	5/2015	Kalck et al.
D723,120 S	2/2015	Nicolette	2015/0231454 A1	8/2015	Parsons et al.
8,961,336 B1	2/2015	Parsons et al.	2015/0231806 A1	8/2015	Parsons et al.
D726,265 S	4/2015	Nicolette			
D733,820 S *	7/2015	Dolezel D21/747			

OTHER PUBLICATIONS

Pxg hybrid google search; google.com; Dec. 8, 2022.*
 Kozuchowski, Zak, "Callaway Mack Daddy 2 PM Grind Wedges"
 (<http://golfwrz.com/276203/callaway-mack-daddy-2-pm-grind->

(56)

References Cited

OTHER PUBLICATIONS

wedges/), www.golfwrz.com, Golfwrz Holdings, LLC, published Jan. 21, 2015.

PCT/US2015/016666: International Search Report and Written Opinion dated May 14, 2015 (8 Pages).

Wall, Jonathan, "Details: Phil's Prototype Mack Daddy PM-Grind Wedge," (<http://www.pgatour.com/equipmentreport/2015/01/21/callaway-wedge.html>), www.pgatour.com, PGA Tour, Inc., Published Jan. 21, 2015.

* cited by examiner

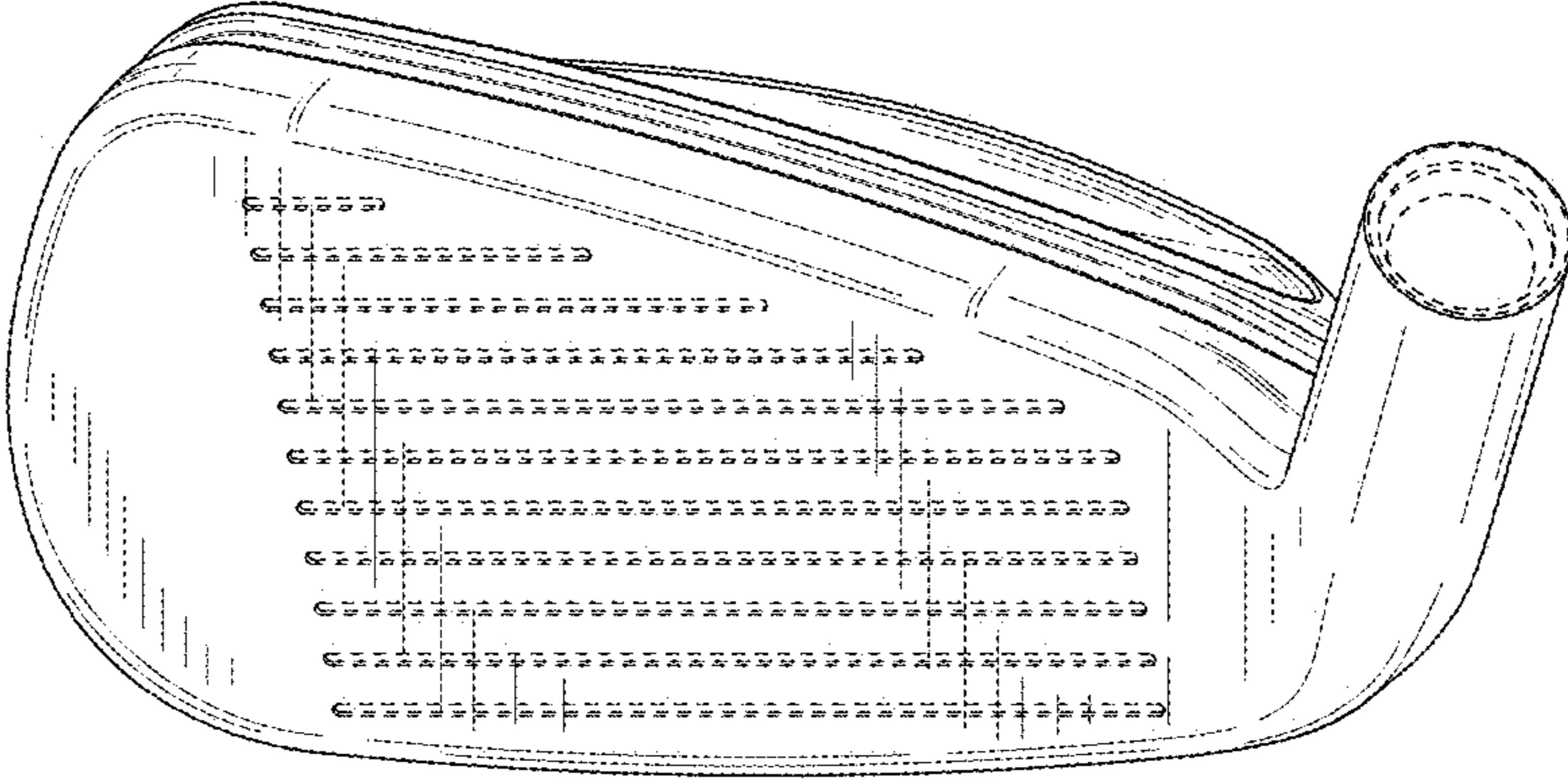


FIG. 1

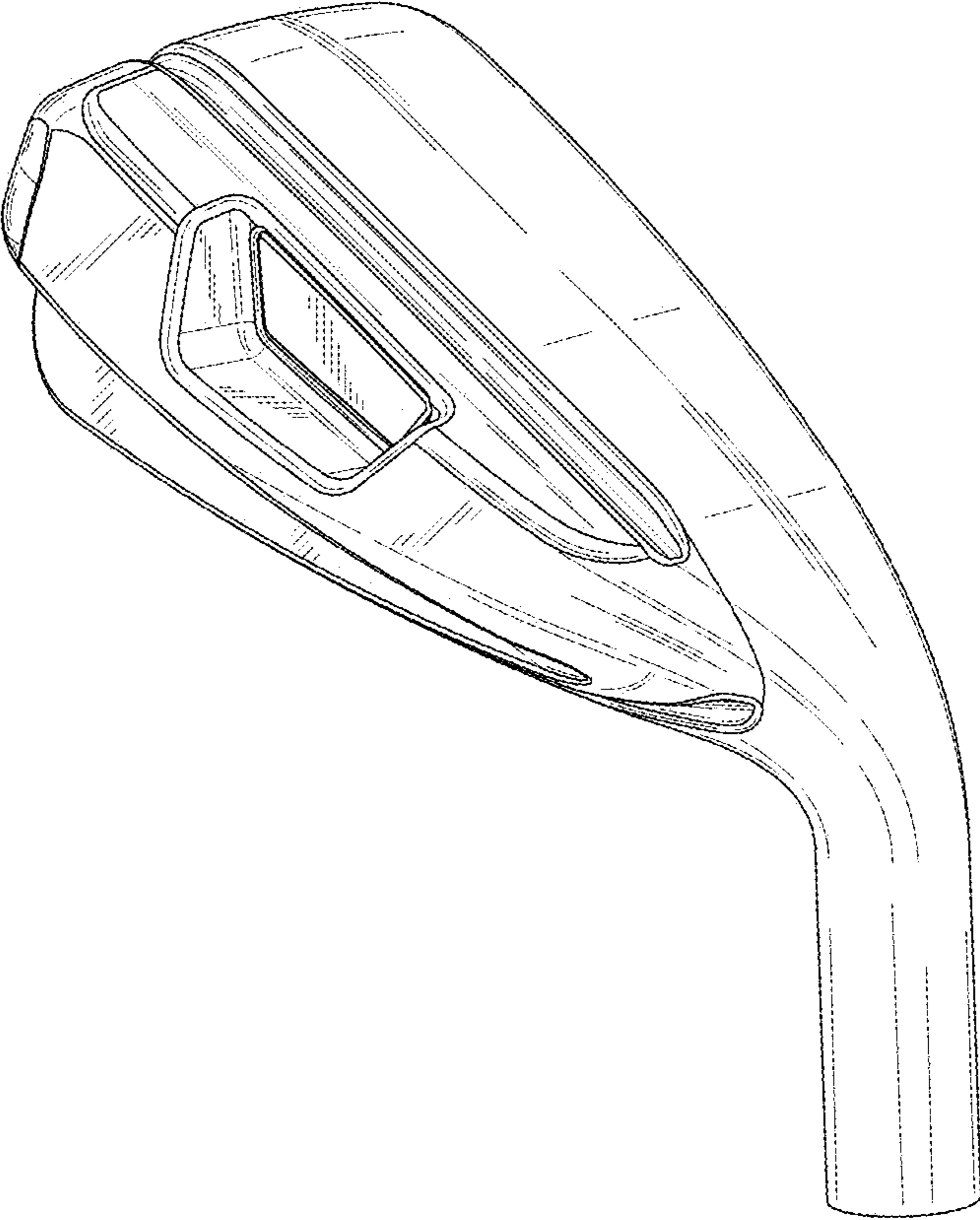


FIG. 2

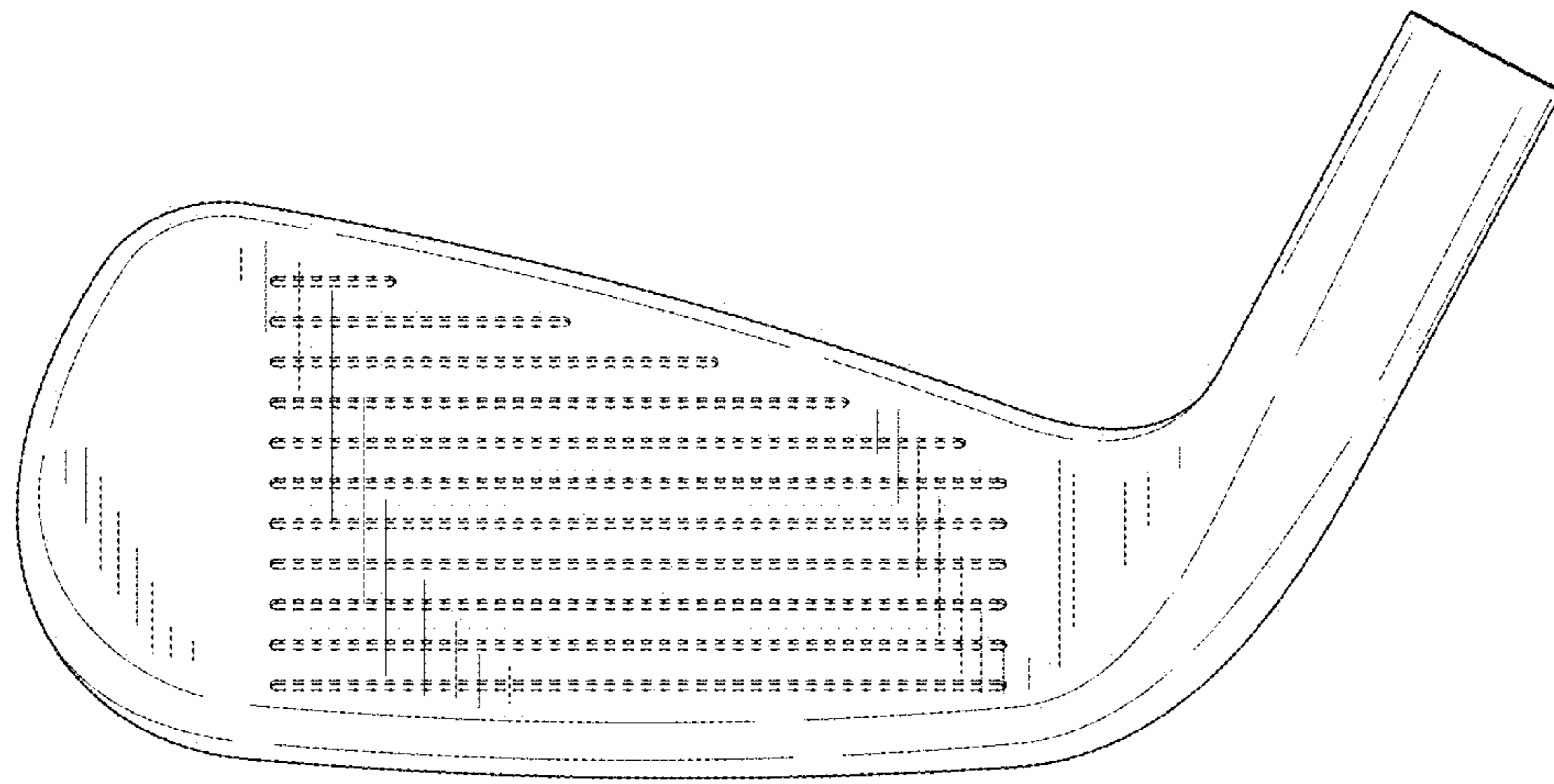


FIG. 3

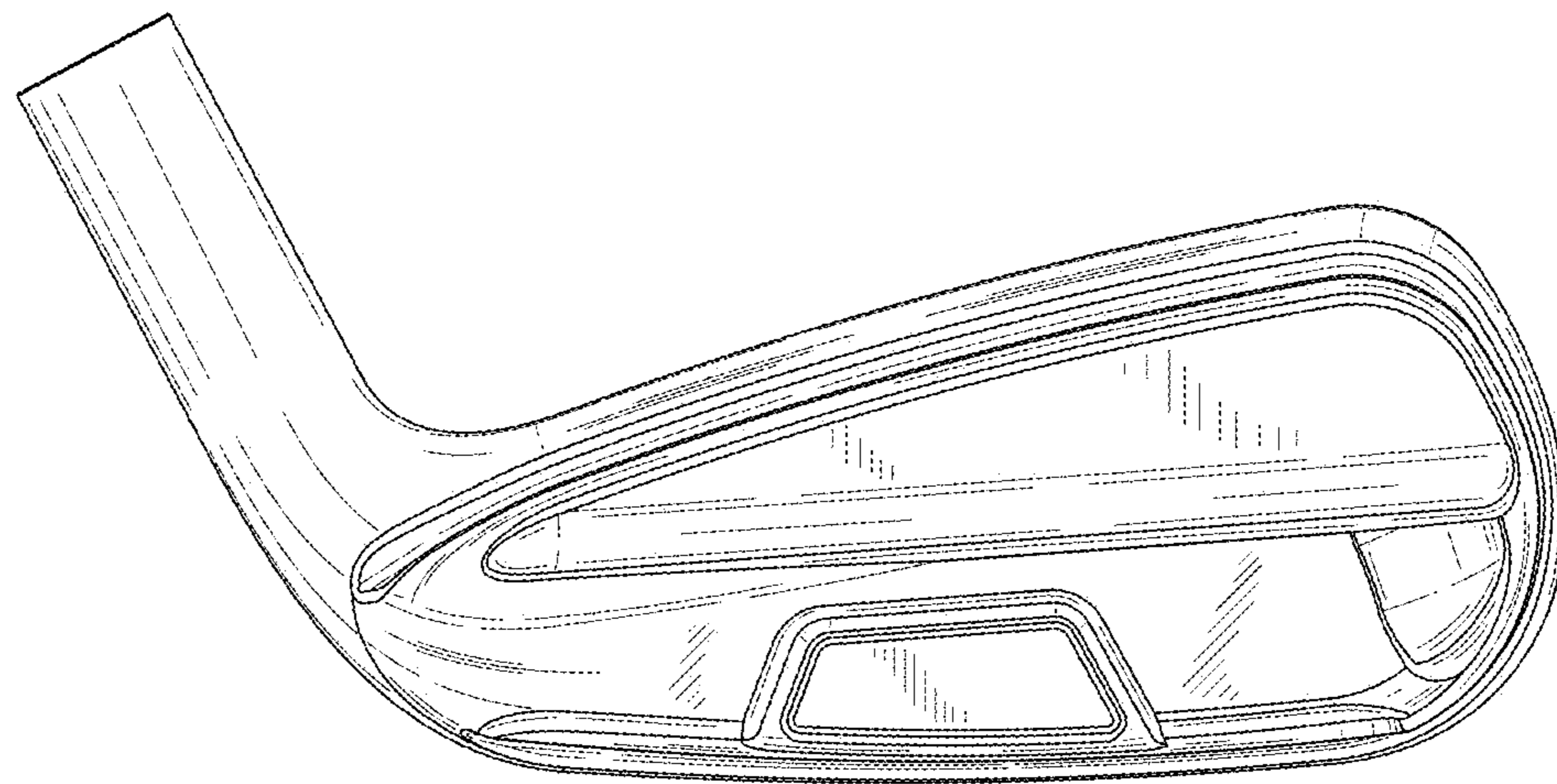


FIG. 4

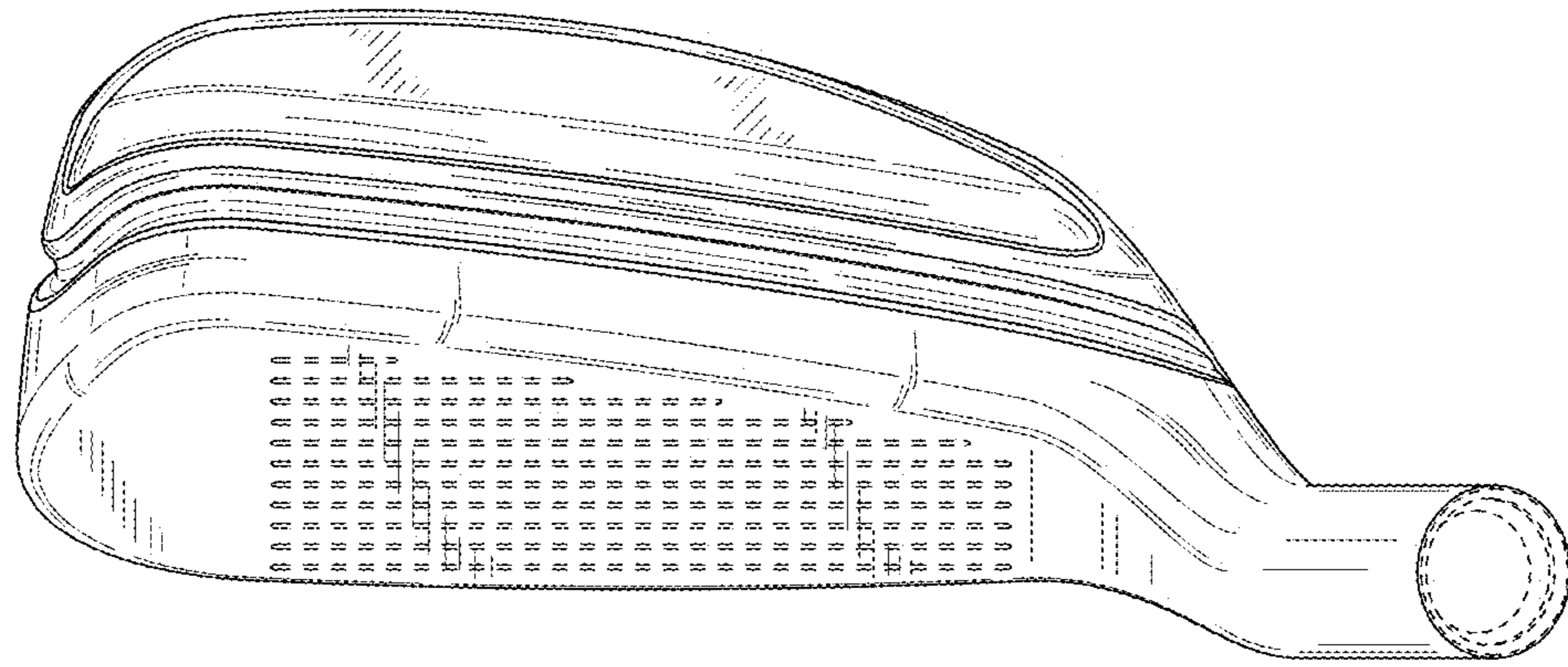


FIG. 5

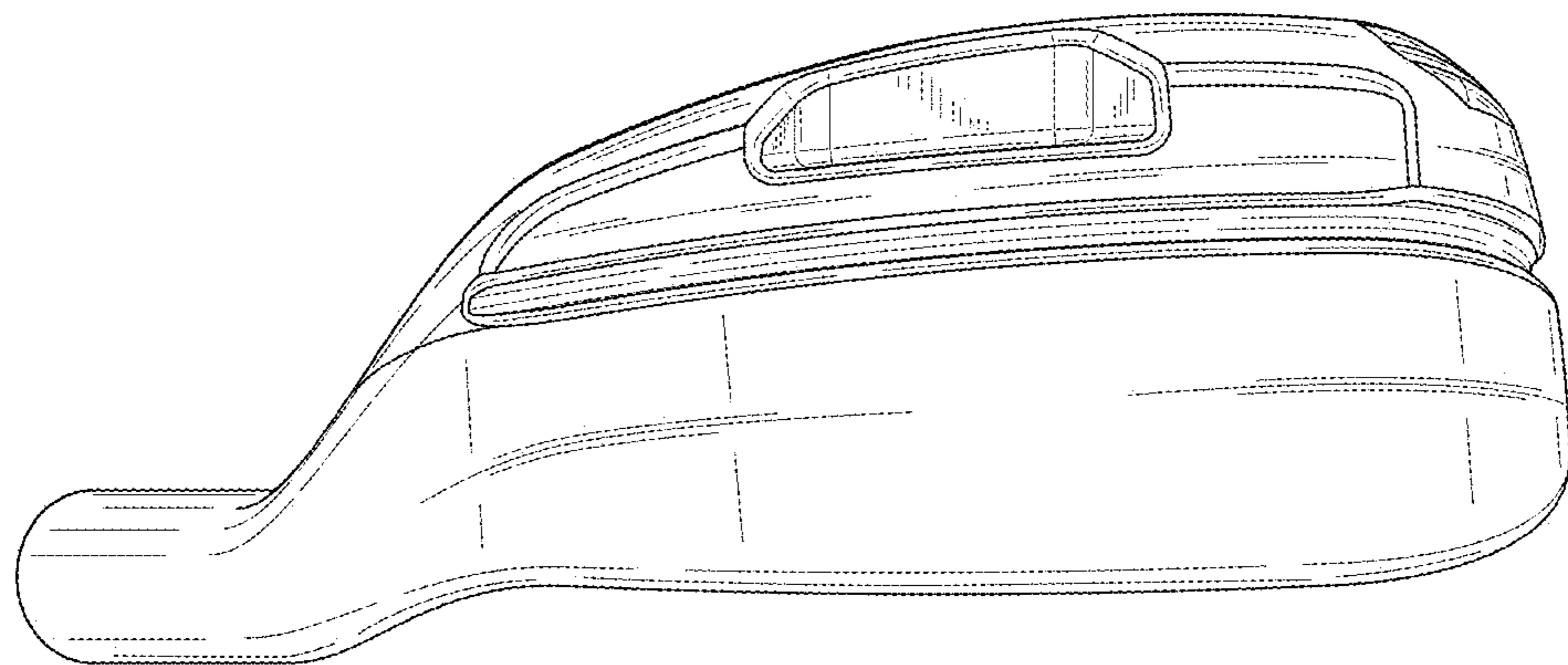


FIG. 6

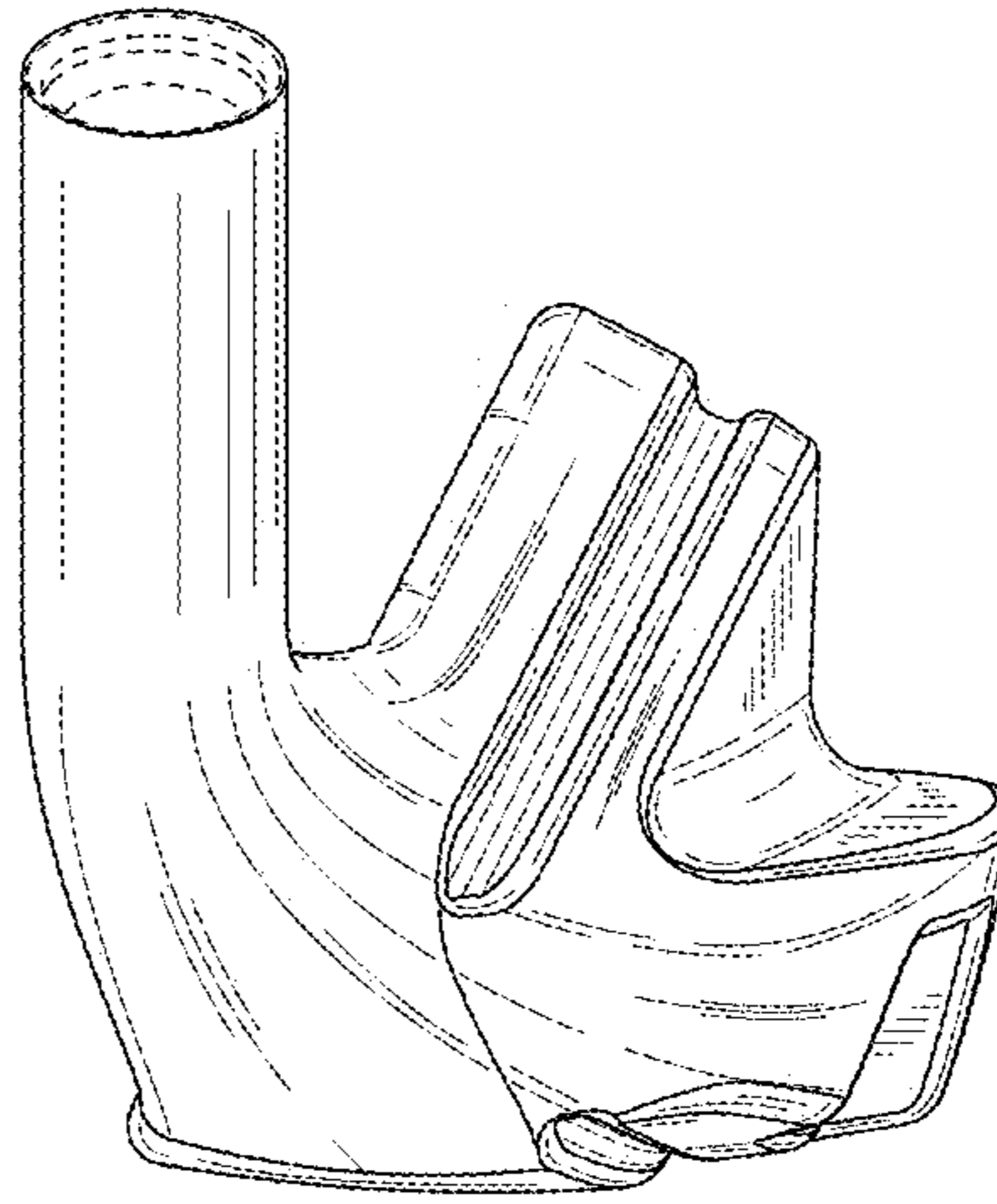


FIG. 7

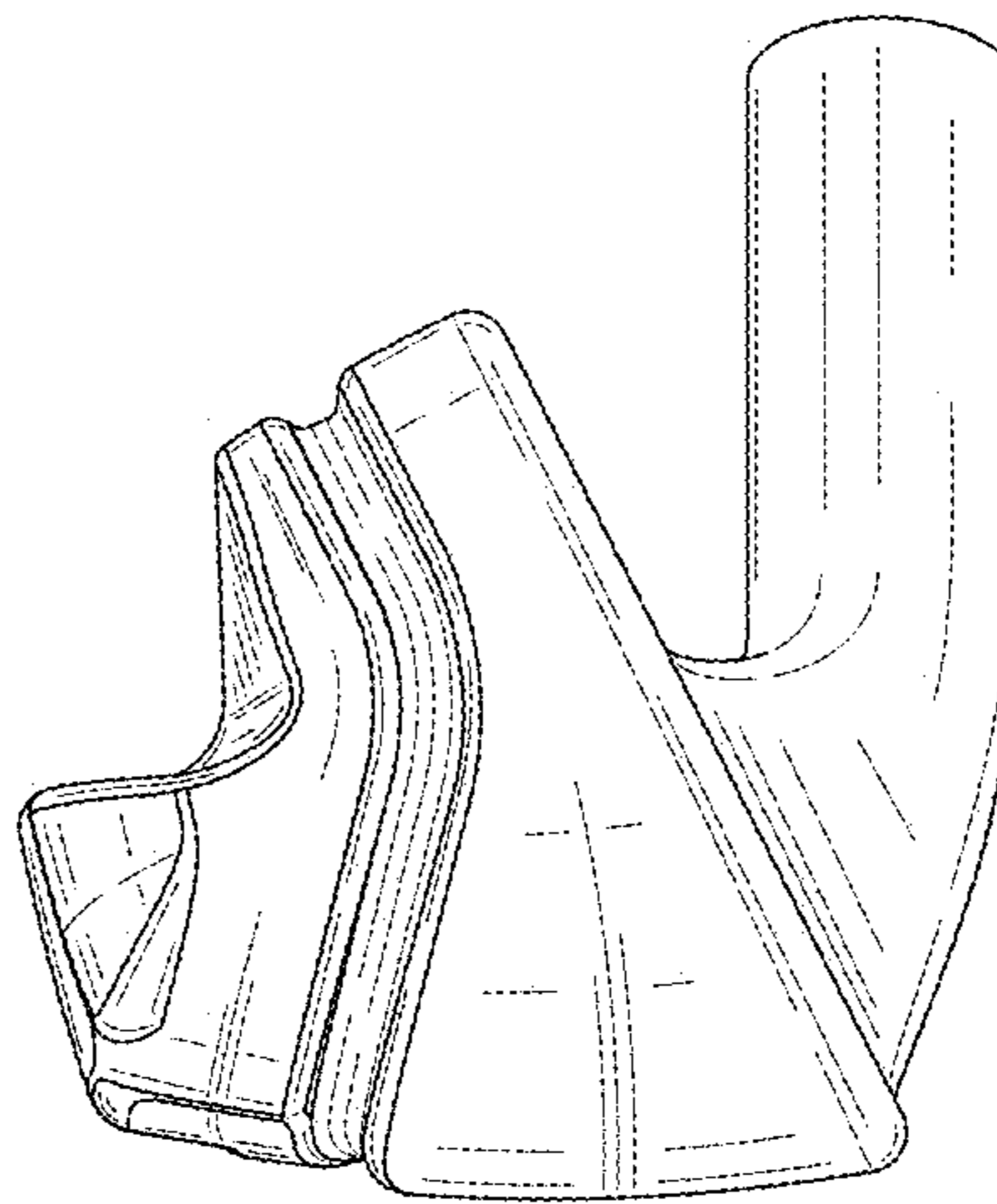


FIG. 8