



US00D985082S

(12) **United States Design Patent** (10) **Patent No.:** **US D985,082 S**  
**Demkowski et al.** (45) **Date of Patent:** **\*\* May 2, 2023**

(54) **GOLF PUTTER**

(71) Applicant: **Taylor Made Golf Company, Inc.**,  
Carlsbad, CA (US)

(72) Inventors: **Paul M. Demkowski**, Cardiff, CA  
(US); **Jonathan Dreitlein**, Carlsbad,  
CA (US); **Bill Price**, Santa Ana, CA  
(US); **Robert Nunez**, Vista, CA (US)

(73) Assignee: **Taylor Made Golf Company, Inc.**,  
Carlsbad, CA (US)

(\*\*) Term: **15 Years**

(21) Appl. No.: **29/769,090**

(22) Filed: **Feb. 3, 2021**

(51) **LOC (14) Cl.** ..... **21-02**

(52) **U.S. Cl.**  
USPC ..... **D21/736**

(58) **Field of Classification Search**

USPC ..... D21/736-746

CPC ..... A63B 53/00; A63B 53/04; A63B 53/007;  
A63B 53/065; A63B 53/0487; A63B  
60/00; A63B 60/46

See application file for complete search history.

(56) **References Cited**

**U.S. PATENT DOCUMENTS**

D380,029 S	6/1997	Anderson	
D407,445 S	3/1999	Rollinson et al.	
D461,514 S *	8/2002	Tang	D21/742
D461,861 S *	8/2002	Tang	D21/742
D485,321 S	1/2004	Breier et al.	
D520,582 S	5/2006	Zelnicek	
D561,854 S	2/2008	Morris	
D571,880 S	6/2008	Ban et al.	
D584,782 S *	1/2009	Barez	D21/759
D584,783 S *	1/2009	Barez	D21/759
D584,784 S *	1/2009	Barez	D21/759
D622,337 S *	8/2010	Kohno	D21/752
D623,711 S *	9/2010	Kadoya	D21/752

D631,111 S *	1/2011	Bennett	D21/752
D669,546 S *	10/2012	Llewellyn	D21/752
D669,948 S *	10/2012	Sakamoto	D21/752
D669,949 S *	10/2012	Sakamoto	D21/752
D715,388 S *	10/2014	Serrano	D21/743

(Continued)

**OTHER PUBLICATIONS**

Pxg putter google search; google.com; Nov. 23, 2022.\*

(Continued)

*Primary Examiner* — Mitchell I. Siegel

(74) *Attorney, Agent, or Firm* — Klarquist Sparkman,  
LLP

(57) **CLAIM**

We claim the ornamental design for a golf putter, as shown  
and described.

**DESCRIPTION**

FIG. 1 is a perspective view of a golf club head, as viewed  
from above, the rear and one side, according to one embod-  
iment.

FIG. 2 is a front elevation view of a golf club head of FIG.  
1.

FIG. 3 is a rear elevation view of the golf club head of FIG.  
1.

FIG. 4 is a side elevation view of a toe side of the golf club  
head of FIG. 1.

FIG. 5 is a side elevation view of a heel side of the golf club  
head of FIG. 1.

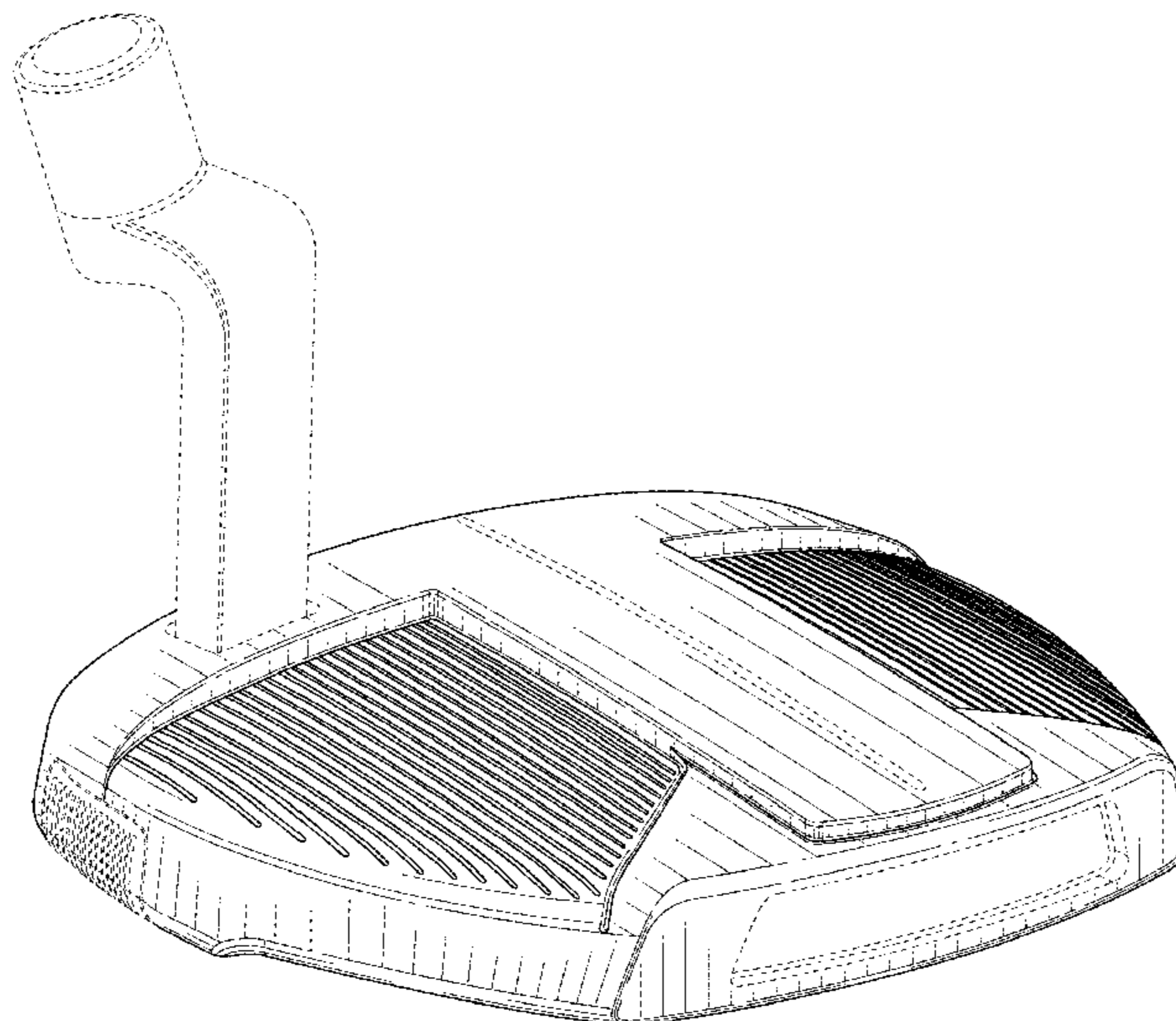
FIG. 6 is a top plan view of the golf club head of FIG. 1.

FIG. 7 is a bottom plan view of the golf club head of FIG.  
1; and,

FIG. 8 is a perspective view of the golf club head of FIG. 1,  
as viewed from below, the front and one side.

The broken lines in the drawings are for purpose of illus-  
trating environmental structure as well as portions of the  
design that form no part of the present claimed design.

**1 Claim, 8 Drawing Sheets**



(56)

References Cited

U.S. PATENT DOCUMENTS

D720,023 S 12/2014 Rollinson  
 D720,411 S 12/2014 Rollinson  
 D720,412 S 12/2014 Rollinson  
 D725,729 S \* 3/2015 Song ..... D21/752  
 D726,848 S \* 4/2015 Song ..... D21/752  
 D736,876 S 8/2015 Rollinson  
 D774,607 S \* 12/2016 Serrano ..... D21/743  
 D774,610 S \* 12/2016 Serrano ..... D21/744  
 D811,503 S \* 2/2018 Bacon ..... D21/752  
 D814,582 S \* 4/2018 Bacon ..... D21/752  
 D814,583 S \* 4/2018 Stokke ..... D21/752  
 D815,223 S \* 4/2018 Stokke ..... D21/752  
 D825,013 S \* 8/2018 Milleman ..... D21/752  
 D832,950 S \* 11/2018 Serrano ..... D21/746  
 D840,482 S \* 2/2019 Serrano ..... D21/736  
 D867,502 S \* 11/2019 Song ..... D21/752  
 D879,222 S \* 3/2020 Serrano ..... D21/742  
 D892,956 S \* 8/2020 Clarke ..... D21/744  
 D895,041 S \* 9/2020 Chun ..... D21/752  
 D907,729 S \* 1/2021 Kim ..... D21/752  
 D909,507 S \* 2/2021 Rollinson ..... D21/736  
 D909,508 S \* 2/2021 Rollinson ..... D21/743

D916,221 S \* 4/2021 Bacon ..... D21/752  
 D917,644 S \* 4/2021 Wang ..... D21/752  
 D921,142 S \* 6/2021 Song ..... D21/752  
 D925,674 S \* 7/2021 Song ..... D21/752  
 D928,259 S \* 8/2021 Andrews ..... D21/736  
 D929,516 S \* 8/2021 Wang ..... D21/744  
 D930,776 S \* 9/2021 Song ..... D21/752  
 D931,391 S \* 9/2021 Chun ..... D21/752  
 D931,393 S \* 9/2021 Song ..... D21/752  
 D934,363 S \* 10/2021 Serrano ..... D21/746  
 D954,873 S \* 6/2022 Andrews ..... D21/736  
 D955,518 S \* 6/2022 Jacobson ..... D21/752  
 D957,555 S \* 7/2022 Greer ..... D21/752  
 D958,276 S \* 7/2022 Woodward ..... D21/752  
 D960,270 S \* 8/2022 Wang ..... D21/744  
 D963,773 S \* 9/2022 Milleman ..... D21/752  
 D966,449 S \* 10/2022 Bruschi ..... D21/736

OTHER PUBLICATIONS

Putter google search; google search; Nov. 23, 2022.\*  
 pxg.com; Nov. 23, 2022.\*  
 taylormade.com; Nov. 23, 2022.\*

\* cited by examiner

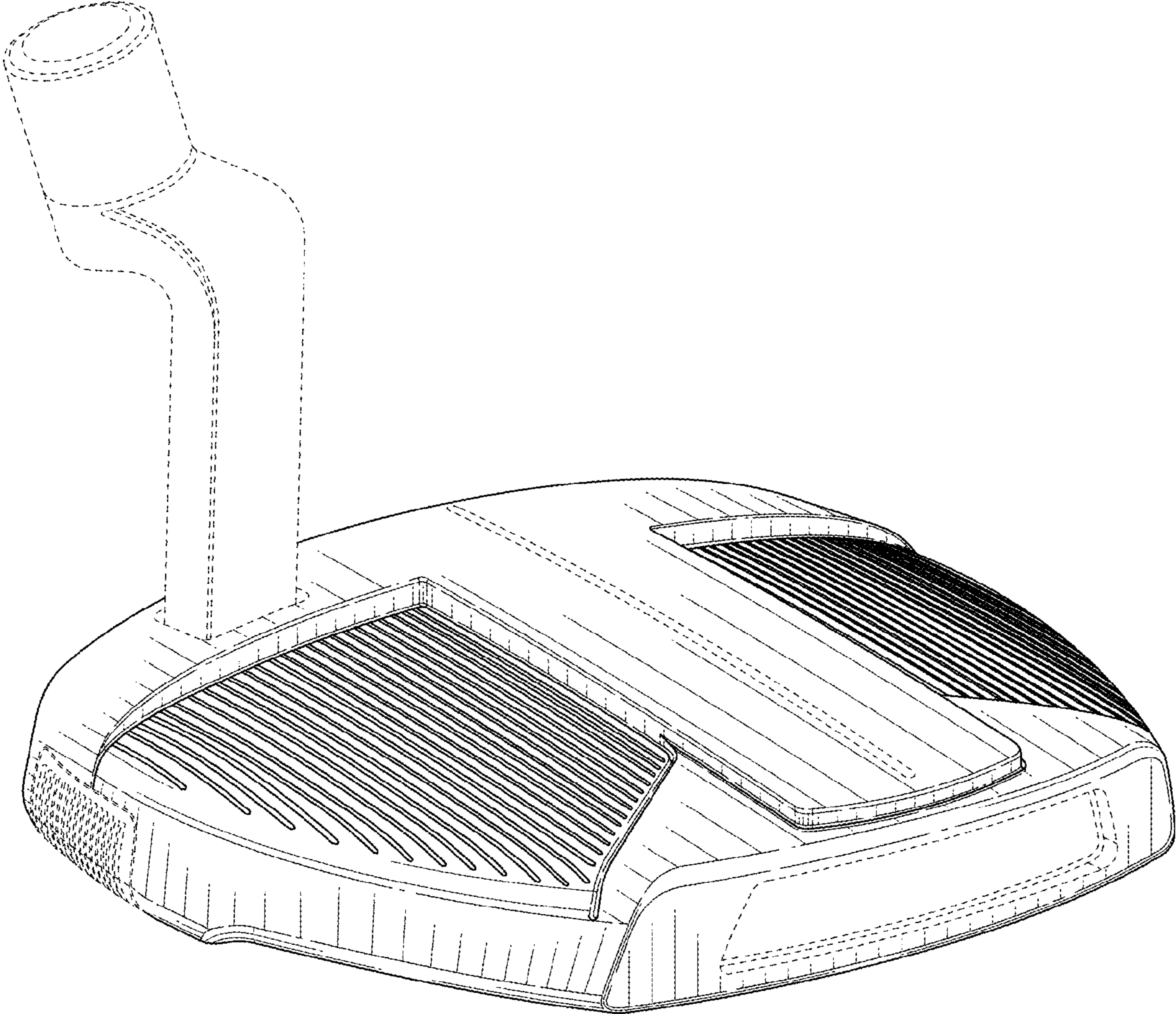


FIG. 1

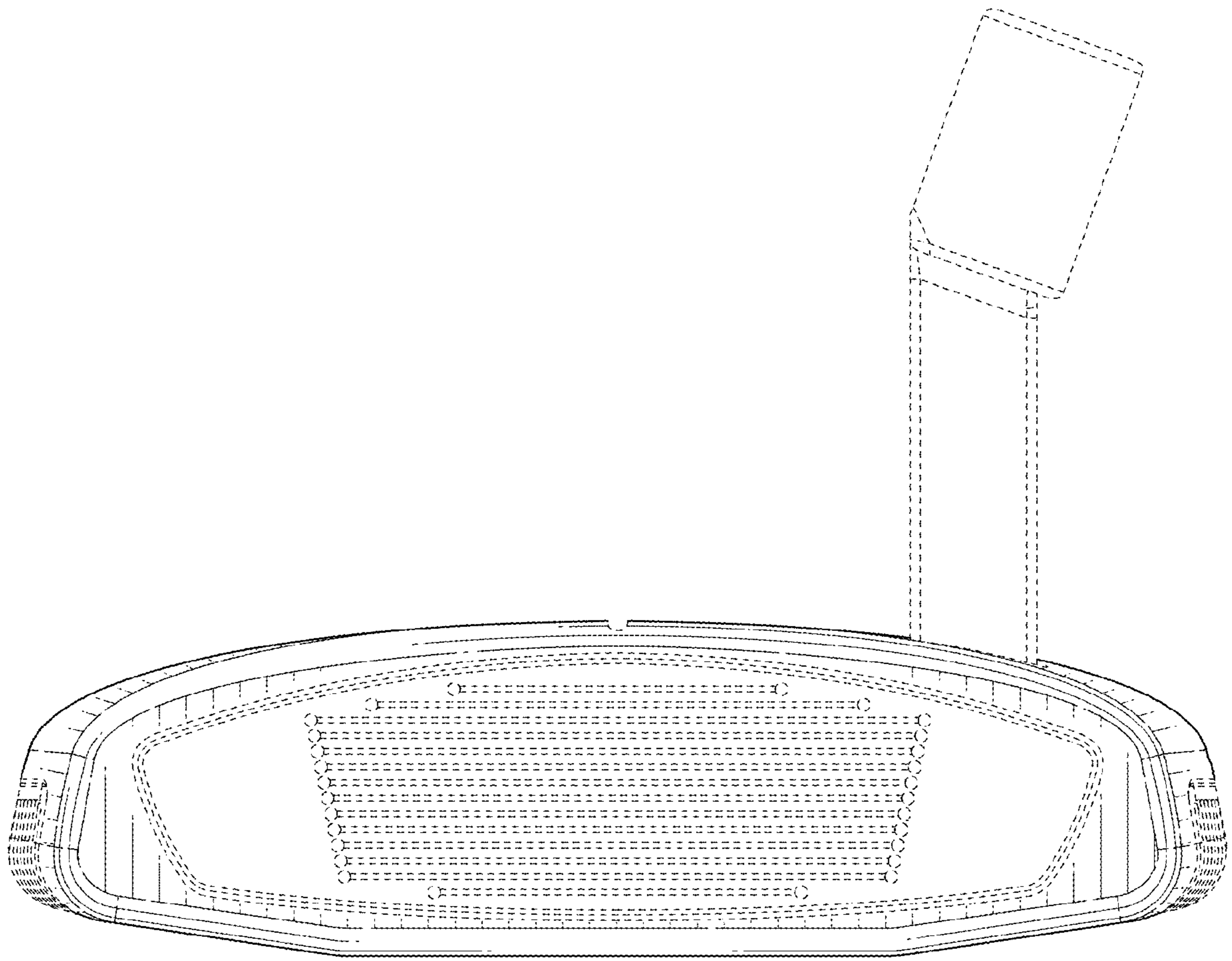


FIG. 2

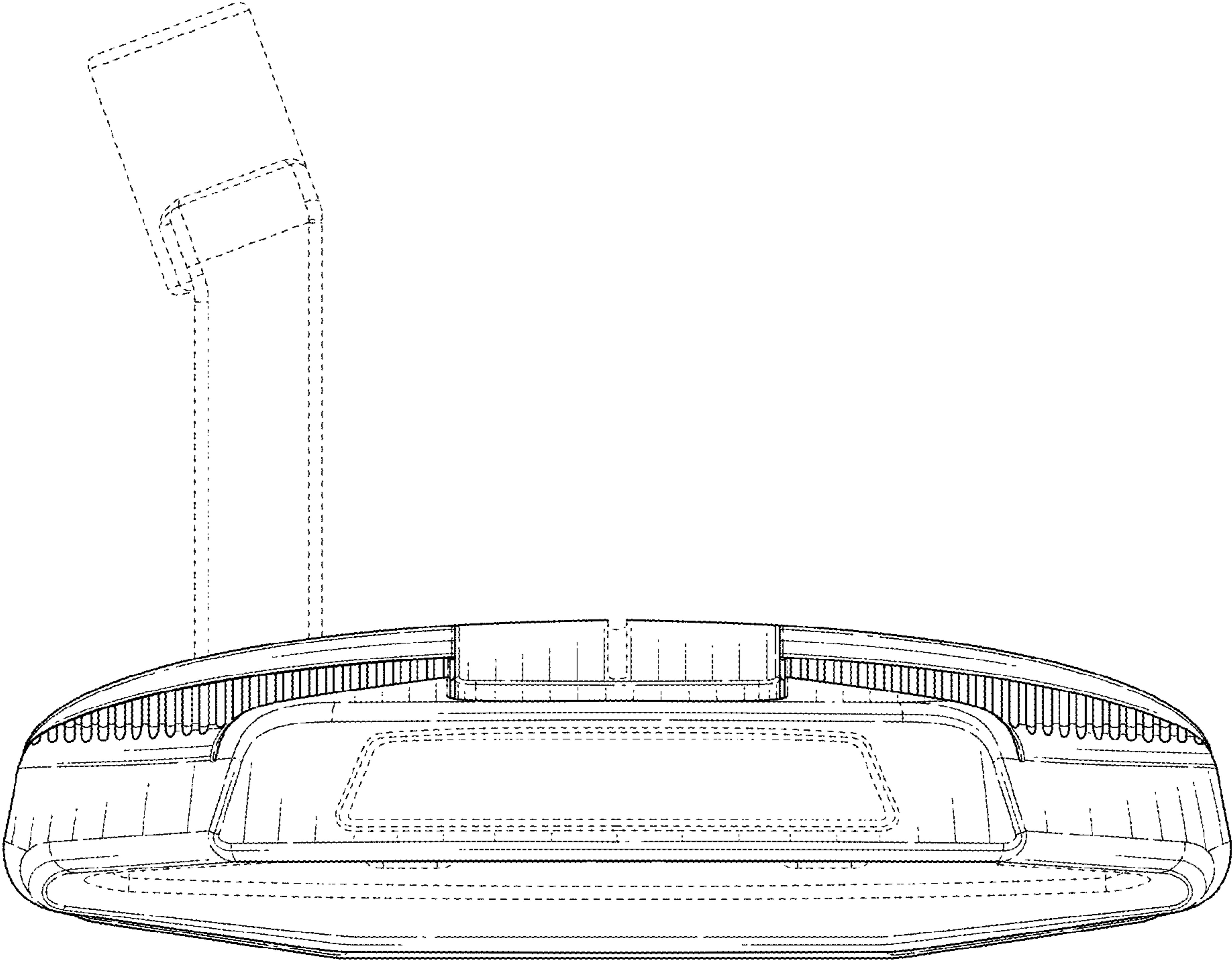


FIG. 3

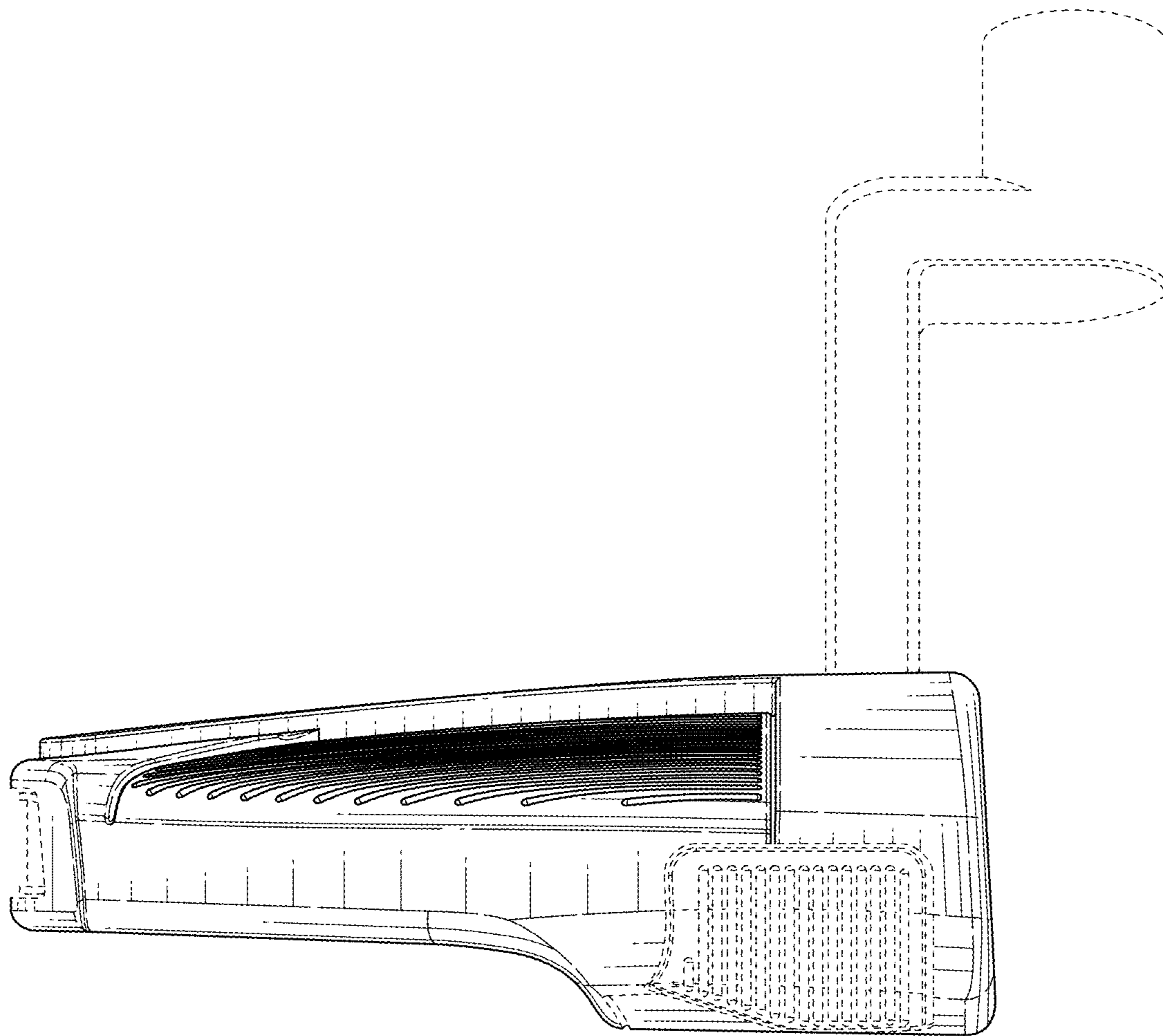


FIG. 4

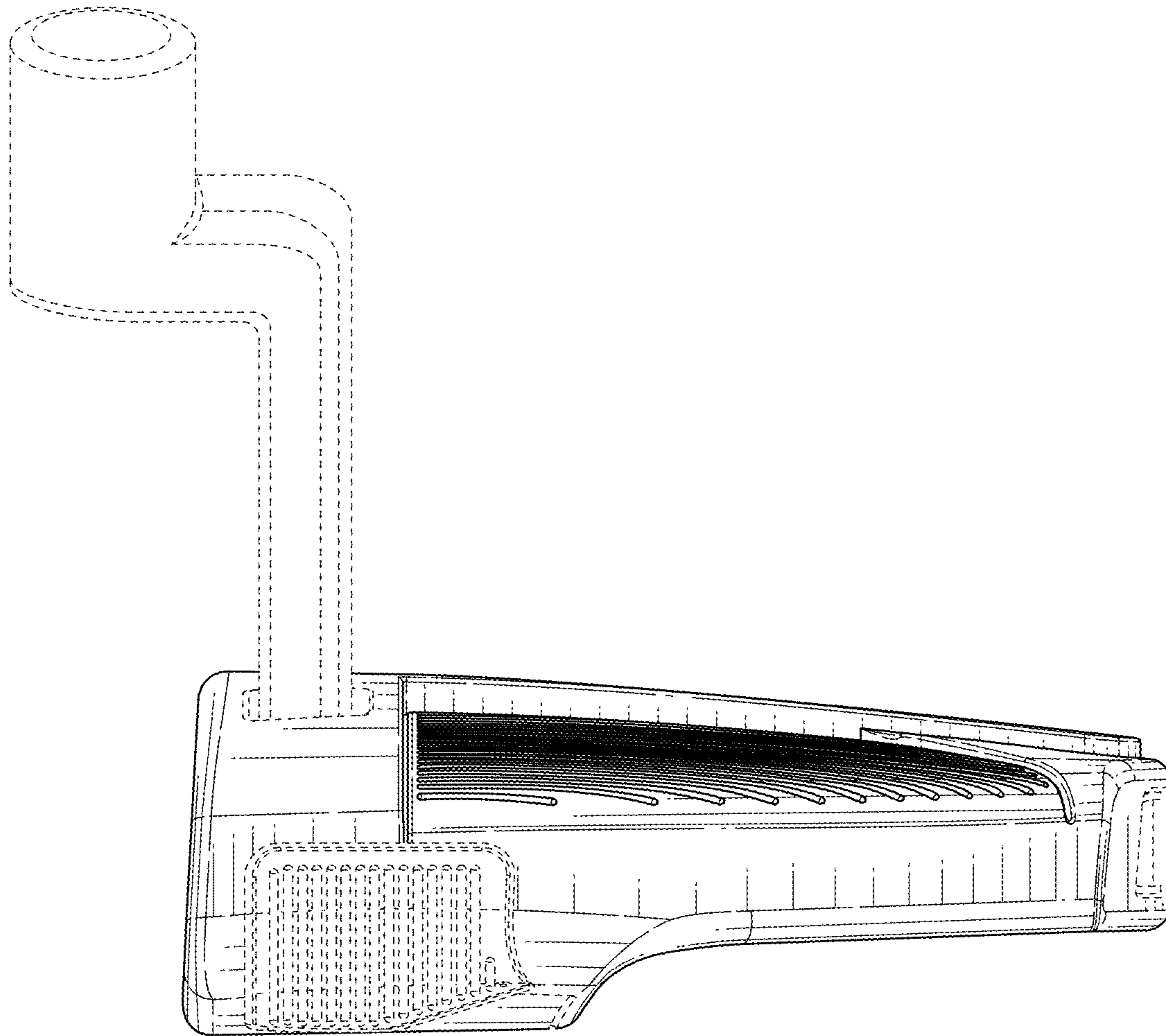


FIG. 5

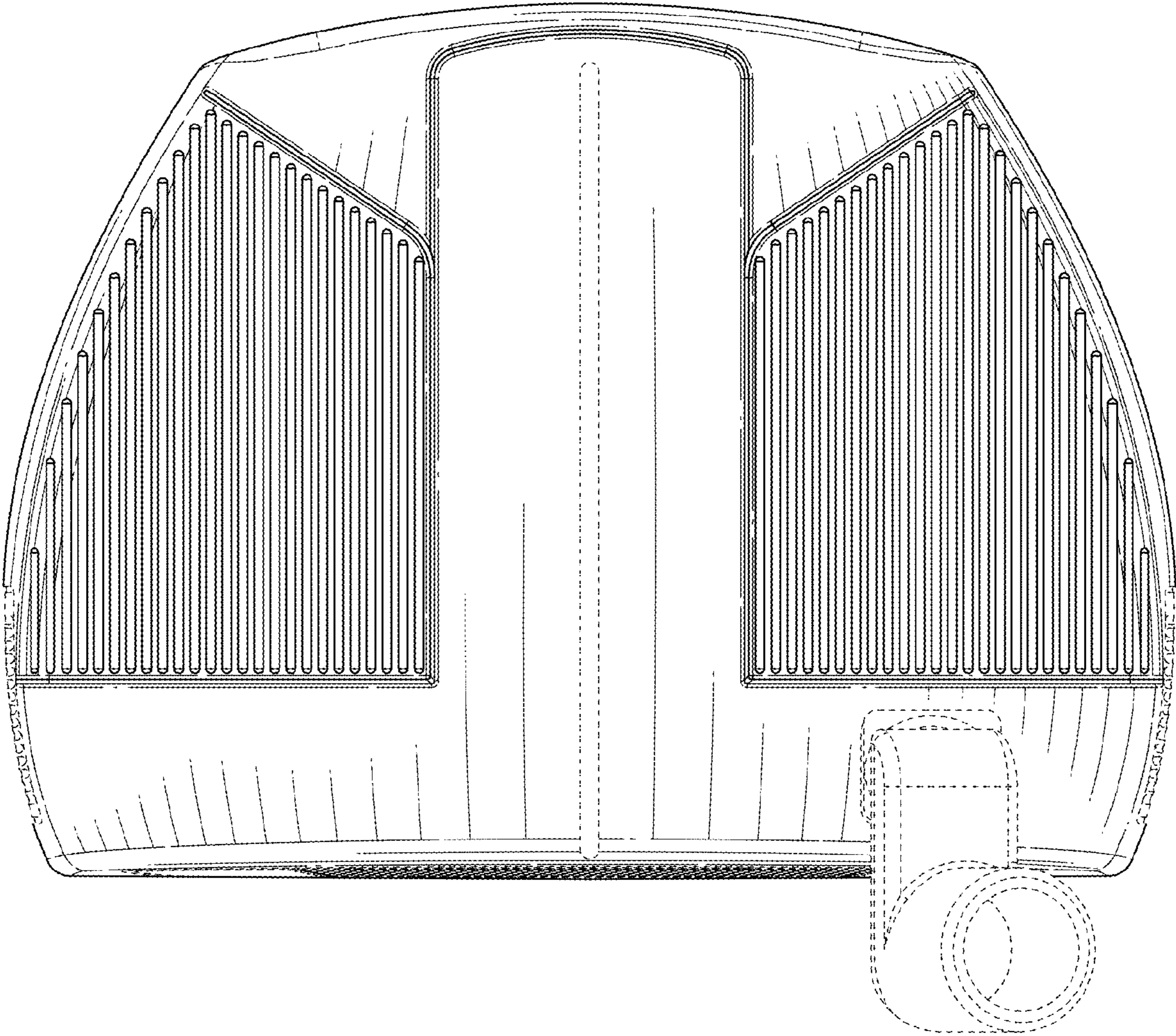


FIG. 6



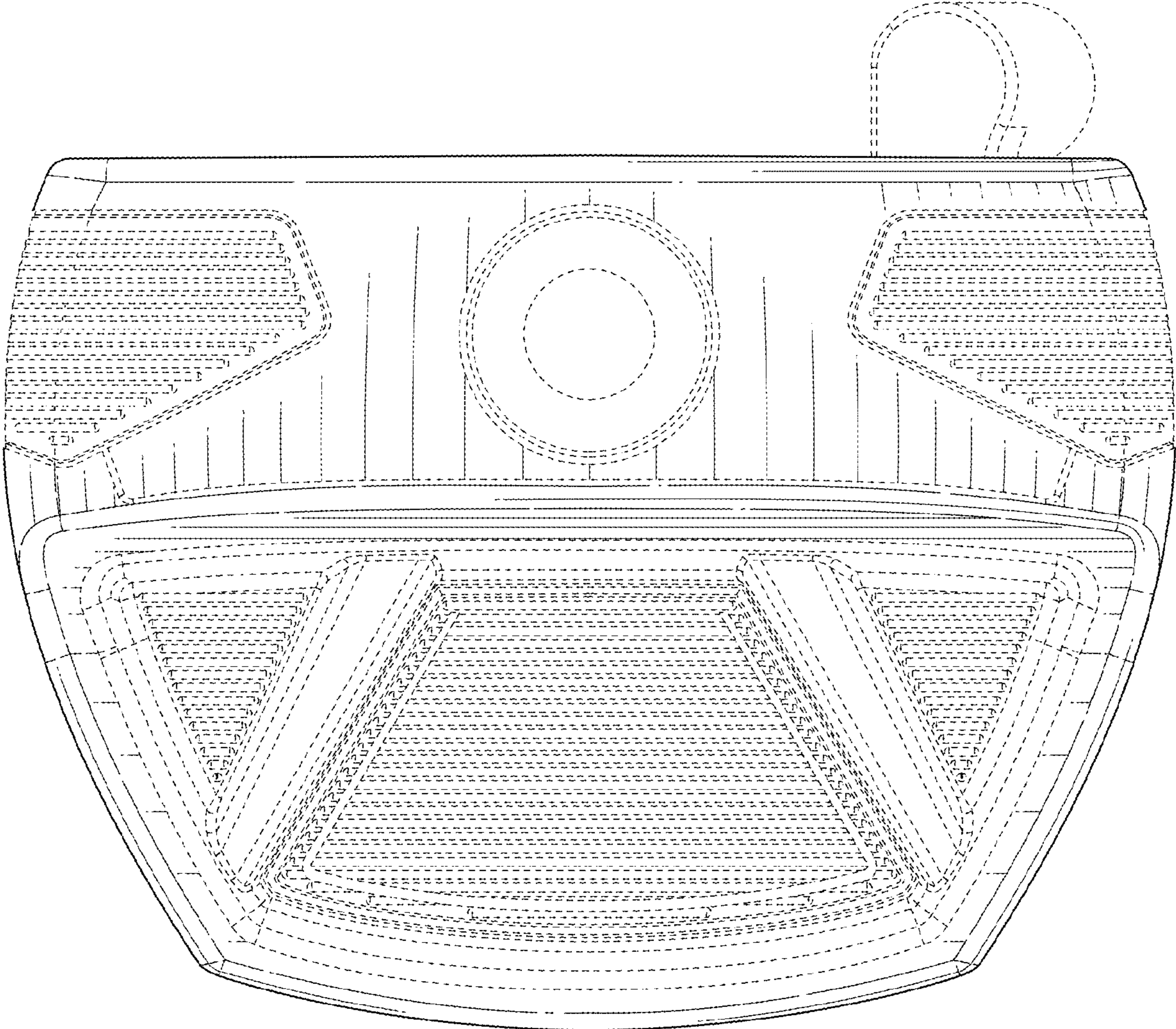


FIG. 7

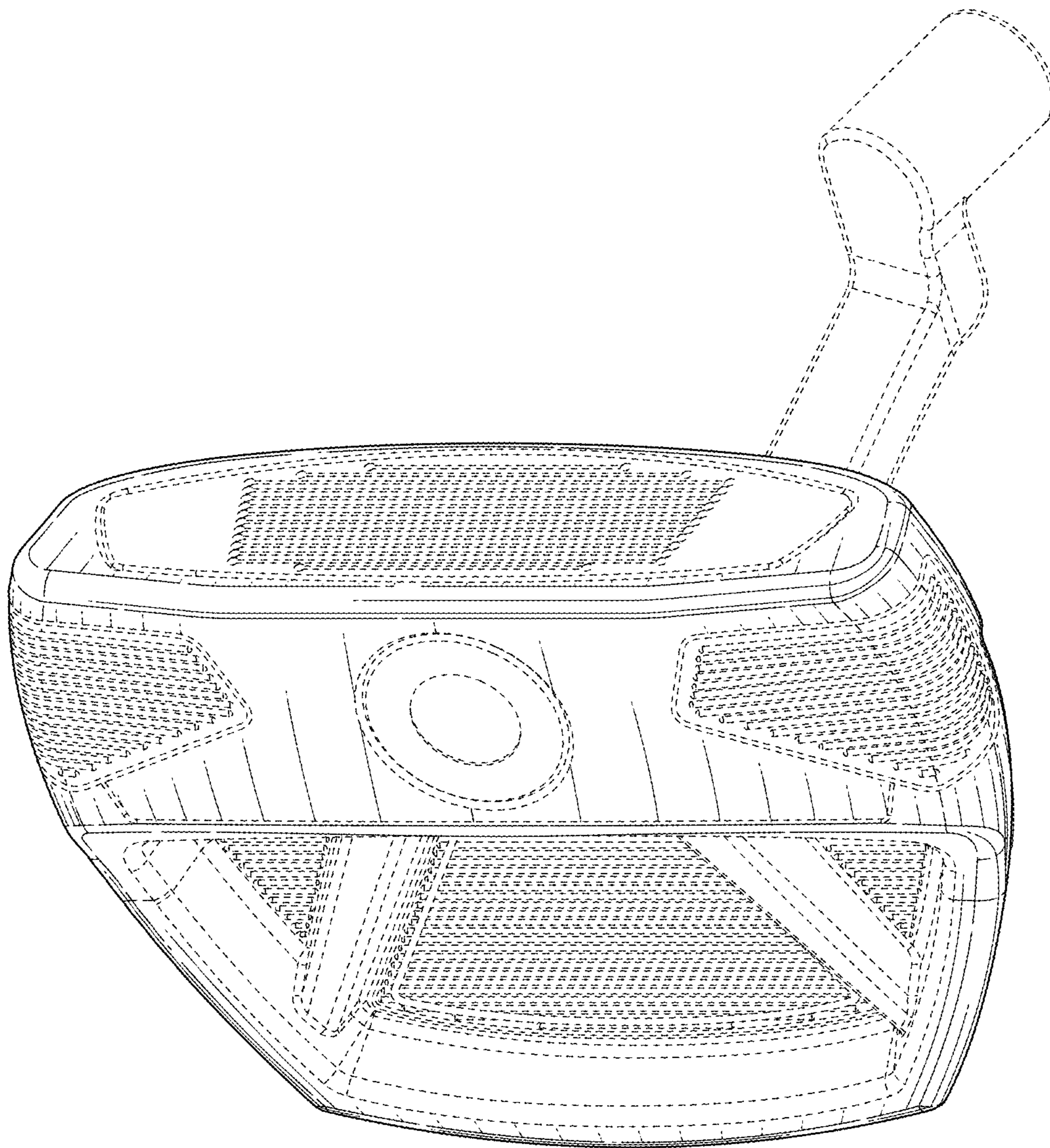


FIG. 8