



US00D985080S

(12) **United States Design Patent** (10) **Patent No.:** **US D985,080 S**
Frazier et al. (45) **Date of Patent:** **** May 2, 2023**

(54) **SOCCER GOAL**
(71) Applicant: **Soccer Park, LLC**, Boise, ID (US)
(72) Inventors: **Joshua Leland Frazier**, Boise, ID (US); **Justin Shook**, Boise, ID (US)
(73) Assignee: **Soccer Park, LLC**, Boise, ID (US)
(**) Term: **15 Years**

10,758,802 B2 * 9/2020 ViaCava A63B 1/00
2003/0119611 A1 * 6/2003 Lytle A63B 69/0097
273/400
2006/0202426 A1 * 9/2006 Tennett A63B 63/00
473/478
2009/0029807 A1 * 1/2009 Sifrit A63B 63/004
473/478
2011/0015002 A1 * 1/2011 Brown A63B 63/00
473/446
2012/0165139 A1 * 6/2012 Leoni A63B 63/004
473/478
2017/0246522 A1 * 8/2017 Donley A63B 63/004
2019/0381381 A1 * 12/2019 ViaCava A63B 1/00

(Continued)

(21) Appl. No.: **29/805,044**
(22) Filed: **Aug. 24, 2021**
(51) **LOC (14) Cl.** **21-02**
(52) **U.S. Cl.**
USPC **D21/705**
(58) **Field of Classification Search**
USPC D21/301–305, 704–705, 699, 788, 698
CPC A63B 63/00; A63B 63/008; A63B 63/004;
A63B 63/003; A63B 2210/50; A63B
71/022; A63B 71/02; A63B 61/006; A63B
2063/001; A63B 2063/002; A63B
2063/005; A63B 2069/0006; A63B
69/0097

See application file for complete search history.

(56) **References Cited**

U.S. PATENT DOCUMENTS

2,449,708 A * 9/1948 Leslie A63B 63/004
473/478
4,083,562 A * 4/1978 Zepper A63B 63/004
473/478
D251,864 S * 5/1979 DiAmico D21/705
5,816,947 A * 10/1998 Kavitch A63B 71/0669
273/374
6,659,892 B2 * 12/2003 Lytle A63B 63/004
473/434
7,686,712 B2 * 3/2010 Sifrit A63B 63/004
473/421
D842,949 S * 3/2019 Shaughnessy D21/705
D884,098 S * 5/2020 Lewis D21/705

OTHER PUBLICATIONS

Urban Soccer Park Private Soccer Field. Date Uploaded: Dec. 7, 2020. Retrieved from internet: <<https://www.youtube.com/watch?v=jRiTnMdp6QQ>> [site visited Nov. 29, 2022] (Year: 2020).*

Primary Examiner — Katherine Glennon
Assistant Examiner — Yuan Yuan
(74) *Attorney, Agent, or Firm* — Parsons Behle & Latimer

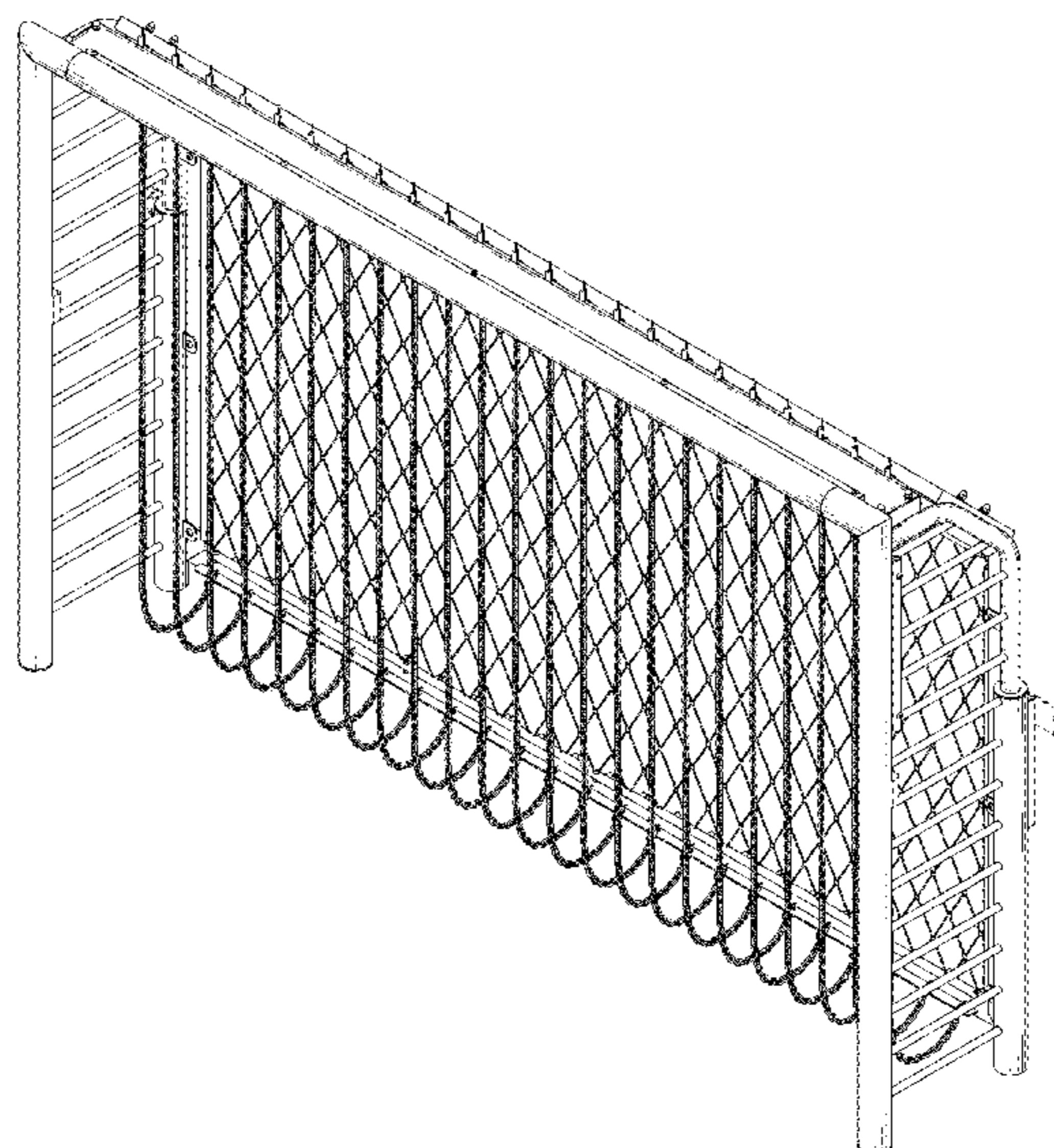
(57) **CLAIM**

The ornamental design for a soccer goal, as shown and described.

DESCRIPTION

FIG. 1 is a perspective view of a soccer goal showing our new design.
FIG. 2 is a front elevational view thereof.
FIG. 3 is a rear elevational view thereof.
FIG. 4 is a right side elevational view thereof.
FIG. 5 is a left side elevational view thereof.
FIG. 6 is a top plan view thereof; and,
FIG. 7 is a bottom plan view thereof.
The broken lines in the figures depict portions of the soccer goal that form no part of the claimed design.

1 Claim, 5 Drawing Sheets



(56)

References Cited

U.S. PATENT DOCUMENTS

2021/0046372 A1* 2/2021 Frazier A63C 19/04
2021/0146220 A1* 5/2021 Hall A63B 71/0622

* cited by examiner

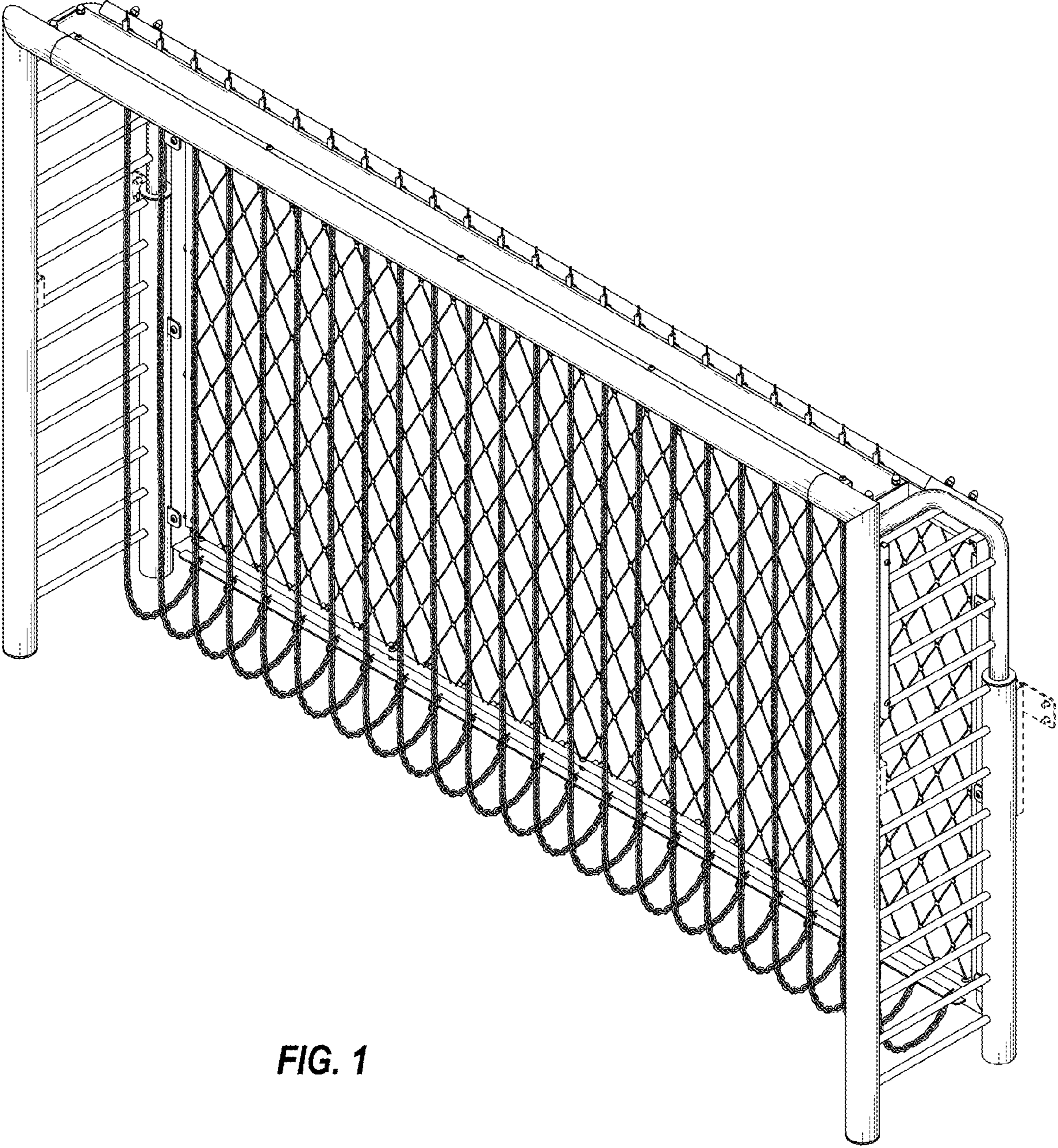


FIG. 1

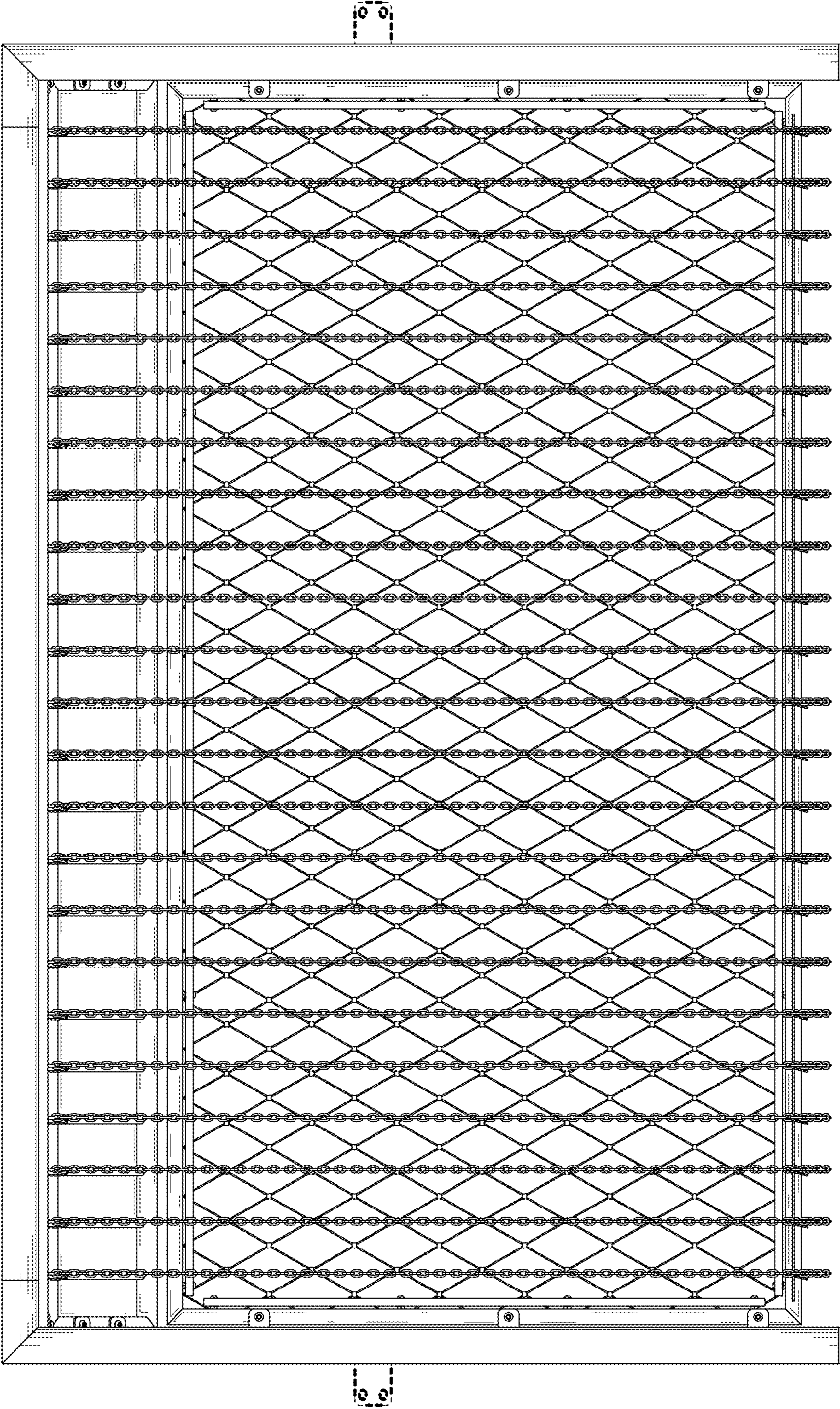


FIG. 2

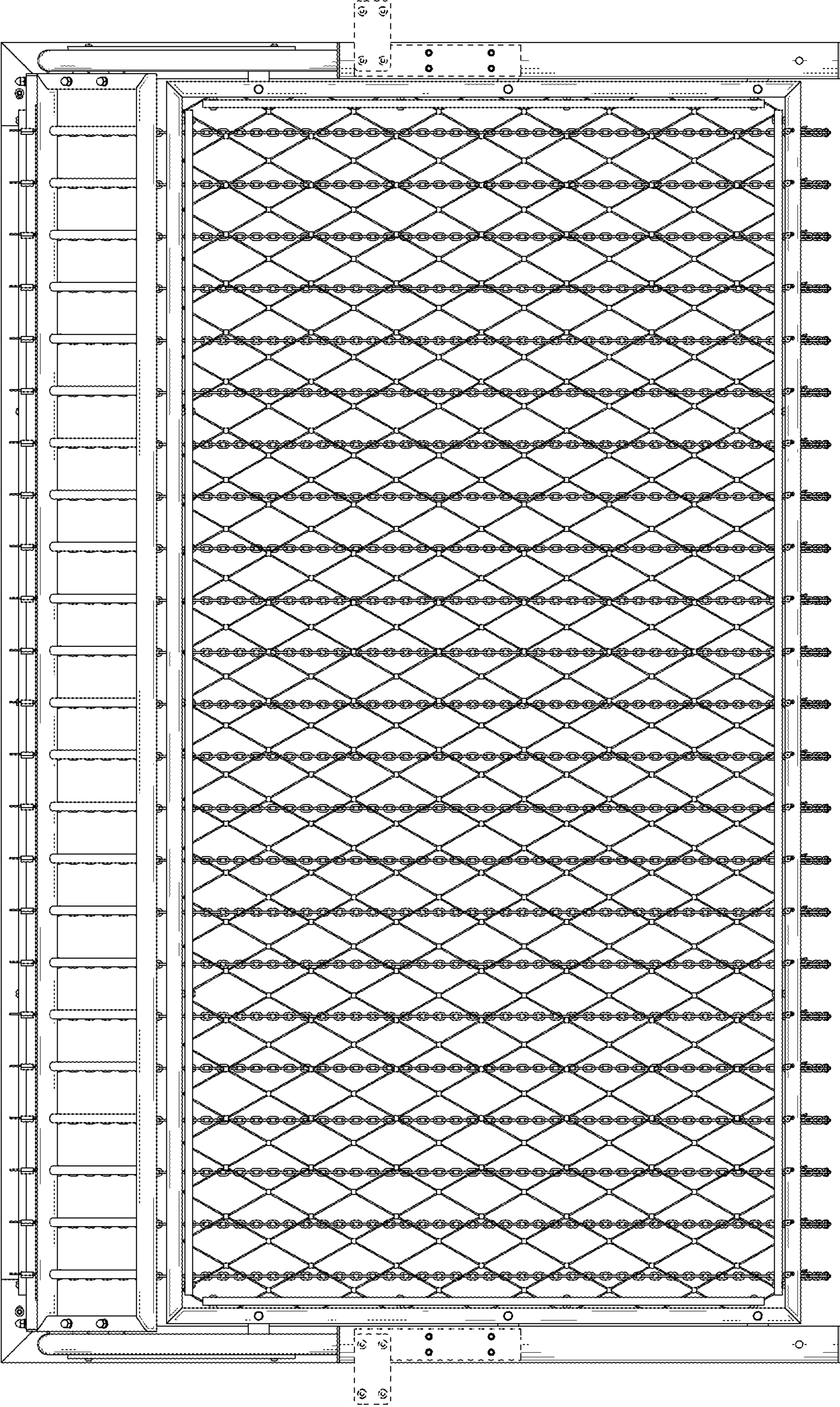


FIG. 3

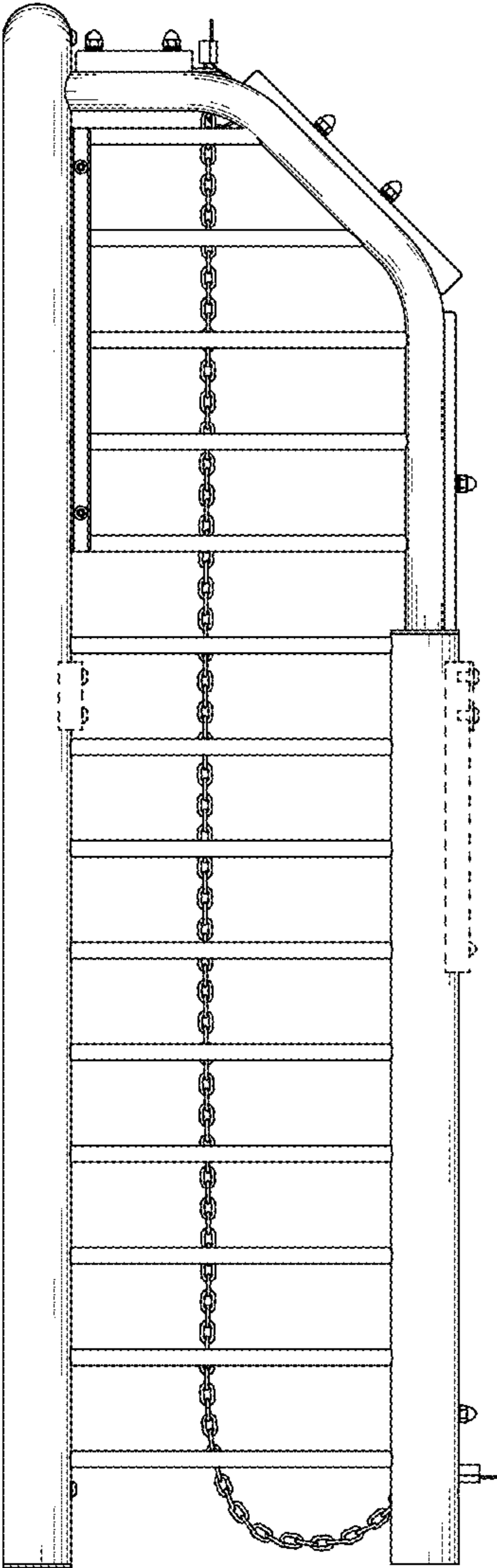


FIG. 4

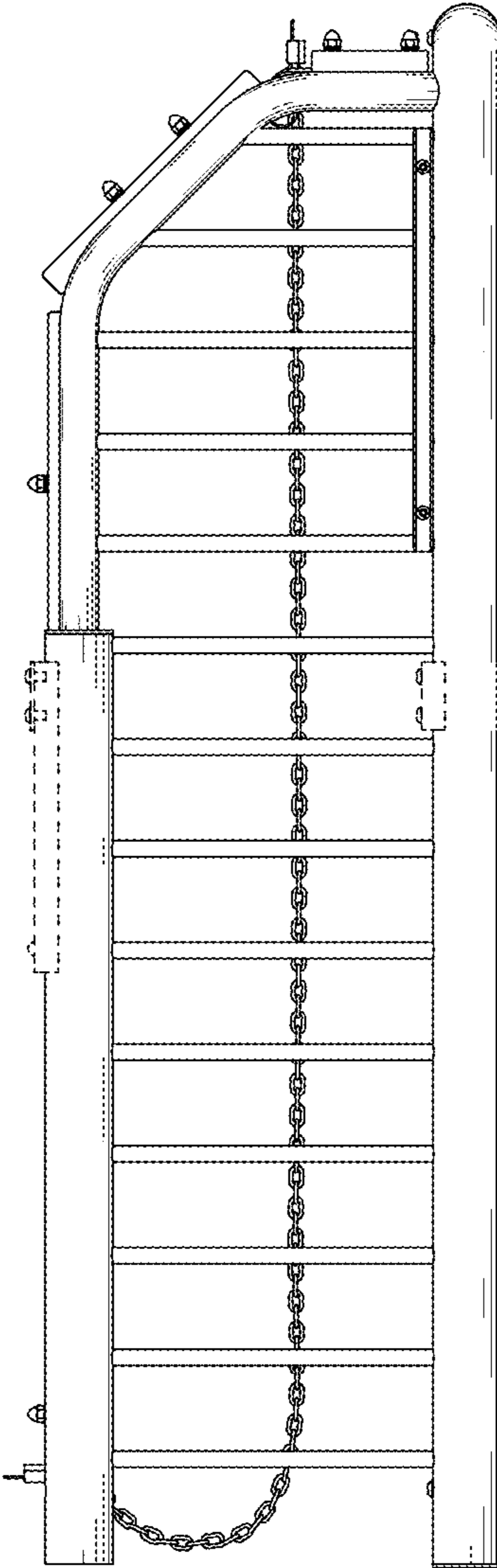


FIG. 5

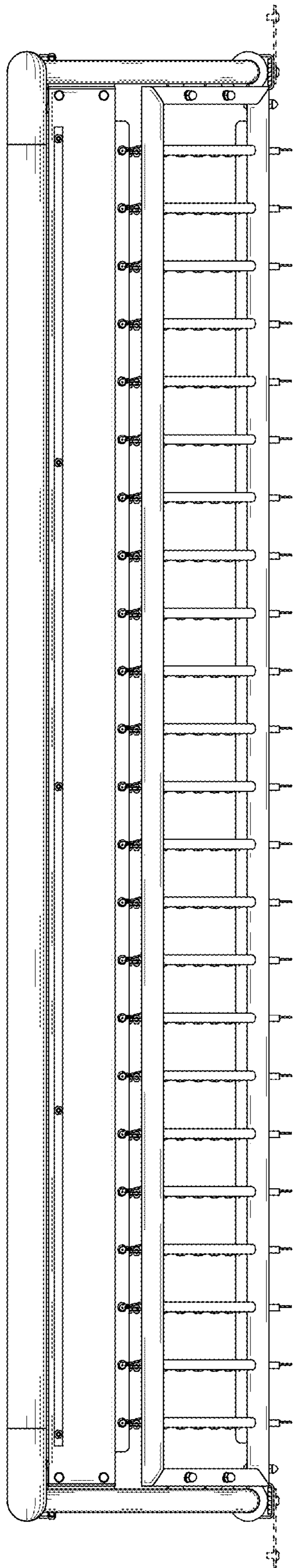


FIG. 6

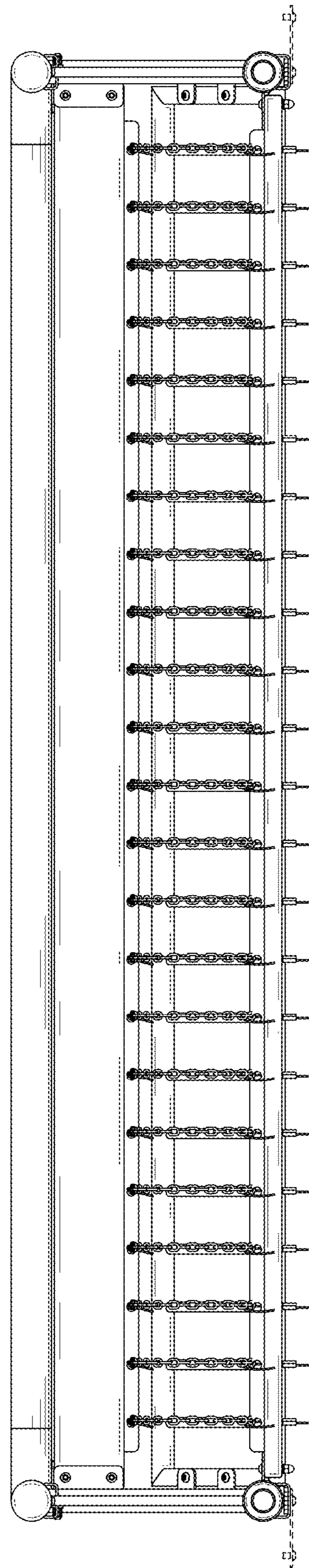


FIG. 7