



US00D985079S

(12) **United States Design Patent**
Hou

(10) **Patent No.:** **US D985,079 S**

(45) **Date of Patent:** **** May 2, 2023**

(54) **SPORTS SIMULATION TRAINER**

(71) Applicant: **Xuemei Hou**, Henan (CN)

(72) Inventor: **Xuemei Hou**, Henan (CN)

(**) Term: **15 Years**

(21) Appl. No.: **29/828,967**

(22) Filed: **Mar. 2, 2022**

(51) **LOC (14) Cl.** **21-02**

(52) **U.S. Cl.**
USPC **D21/791**

(58) **Field of Classification Search**
USPC D21/789, 791, 698, 662, 694; D24/214
CPC Y10S 482/907; A63B 2023/006; A63B
21/0004; A63B 21/4025; A61H 1/02;
A61H 1/0281; A61H 2201/0157
See application file for complete search history.

(56) **References Cited**

U.S. PATENT DOCUMENTS

- 3,351,346 A * 11/1967 Strahan A63B 15/00
482/109
- D268,362 S * 3/1983 Wong D21/399
- 4,781,373 A * 11/1988 Irwin A63B 23/0488
482/131
- 5,108,090 A * 4/1992 Reed A63B 23/0211
482/907
- 5,209,481 A * 5/1993 DeBack A63B 21/4047
473/220
- D359,089 S * 6/1995 Taylor D21/691
- 5,584,756 A * 12/1996 Grapengiser A63B 23/04
482/92
- D395,687 S 6/1998 Marney
- D428,461 S * 7/2000 Koszalinski D21/791
- D439,942 S 4/2001 Ray
- 6,352,495 B1 * 3/2002 Hsu A61H 1/0244
482/92
- D460,506 S 7/2002 Tamminga
- D467,290 S 12/2002 Chen

- D470,201 S 2/2003 Paull
- 6,595,906 B2 * 7/2003 Smith A63B 21/00047
482/148
- D484,939 S * 1/2004 Rohan-Weaver D21/791
- D518,122 S * 3/2006 Reilly D21/679
- 7,223,212 B2 * 5/2007 DiOrio A63B 21/4015
482/907
- D594,989 S * 6/2009 Carlson D24/188
- D617,401 S 6/2010 Kulka
- D664,611 S * 7/2012 Pinskiy D21/662
- D664,612 S * 7/2012 Pinskiy D21/662
- D668,304 S 10/2012 Hill

(Continued)

OTHER PUBLICATIONS

Zhheyyds by zhheyyds dated Oct. 6, 2021. Found online [Oct. 25, 2022] <https://tinyurl.com/2p8dmyhr>.*

(Continued)

Primary Examiner — Ryan Harvey

(74) *Attorney, Agent, or Firm* — Rumit Ranjit Kanakia

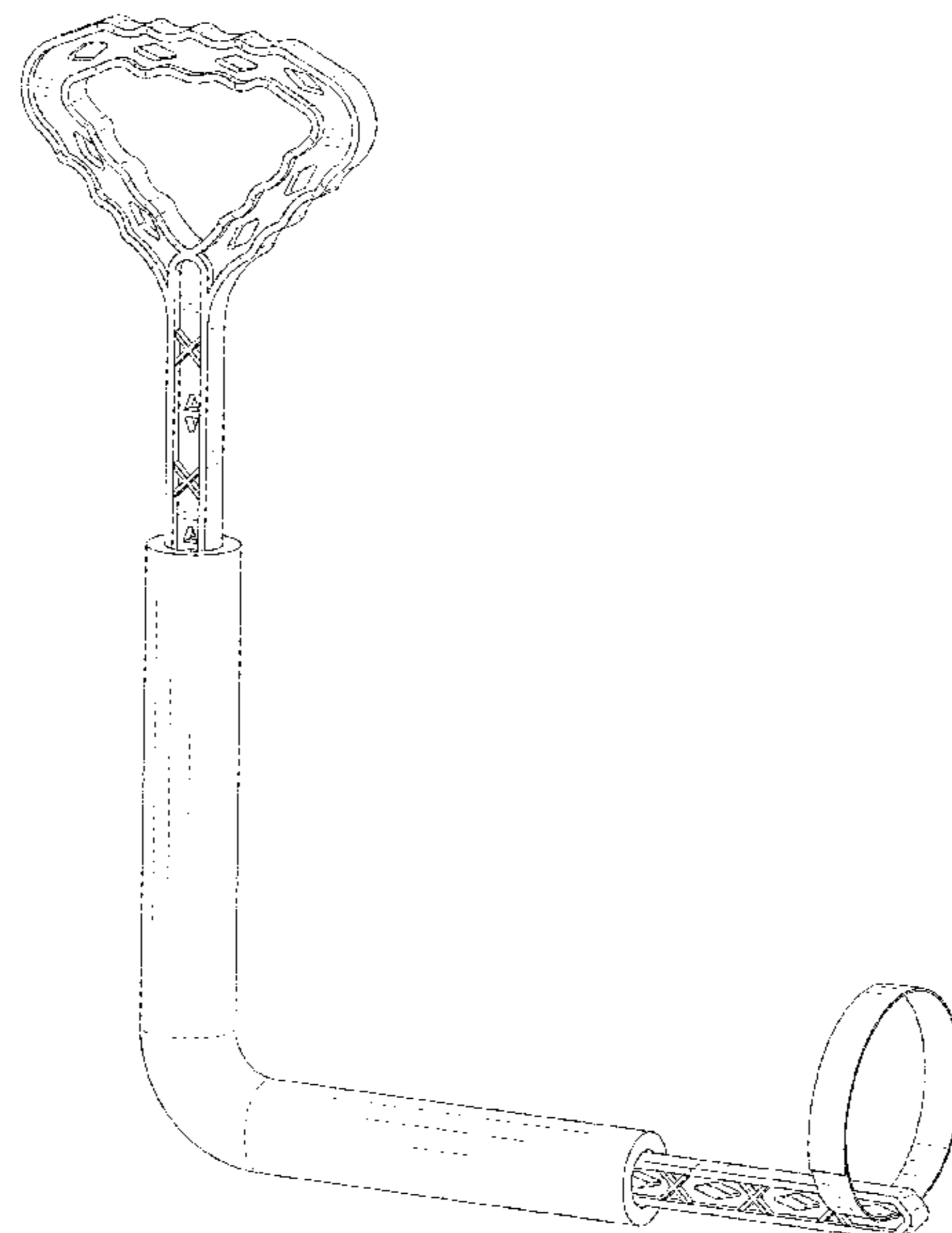
(57) **CLAIM**

The ornamental design for a sports simulation trainer, as shown and described.

DESCRIPTION

FIG. 1 is a perspective view of a sports simulation trainer showing my new design;
FIG. 2 is another perspective view thereof;
FIG. 3 is a front elevational view thereof;
FIG. 4 is a rear elevational view thereof;
FIG. 5 is a left elevational view thereof;
FIG. 6 is a right elevational view thereof;
FIG. 7 is a top plan view thereof;
FIG. 8 is a bottom plan view thereof; and,
FIG. 9 is a perspective view of the sports simulation trainer in an alternative state.

1 Claim, 7 Drawing Sheets



(56)

References Cited

U.S. PATENT DOCUMENTS

D691,731 S * 10/2013 Grippo A61H 39/04
D24/215
D722,174 S * 2/2015 Almarales D24/214
D739,950 S * 9/2015 Almarales D24/214
D741,964 S * 10/2015 Rychtyk D21/692
D763,460 S * 8/2016 Almarales D24/214
D769,998 S * 10/2016 Preston D21/698
D778,999 S * 2/2017 Zanyk D21/686
9,700,752 B1 * 7/2017 Powers A61H 1/0244
10,172,758 B1 * 1/2019 Downs A61H 1/0237
D844,080 S 3/2019 Young
D844,717 S 4/2019 Gagnon
D864,319 S 10/2019 Manton, III
D958,270 S * 7/2022 Chen D21/690
2004/0204302 A1 * 10/2004 Flynn A63B 21/0004
482/125
2005/0085350 A1 * 4/2005 Shen A63B 23/00
482/91
2011/0294634 A1 * 12/2011 Bua A61H 1/0281
482/139
2018/0243631 A1 * 8/2018 DiMarco A63B 57/00

OTHER PUBLICATIONS

Hadgethey by hadgethey dated Mar. 16, 2021. Found online [Oct. 25, 2022] <https://tinyurl.com/2p8d44t5>.*

* cited by examiner

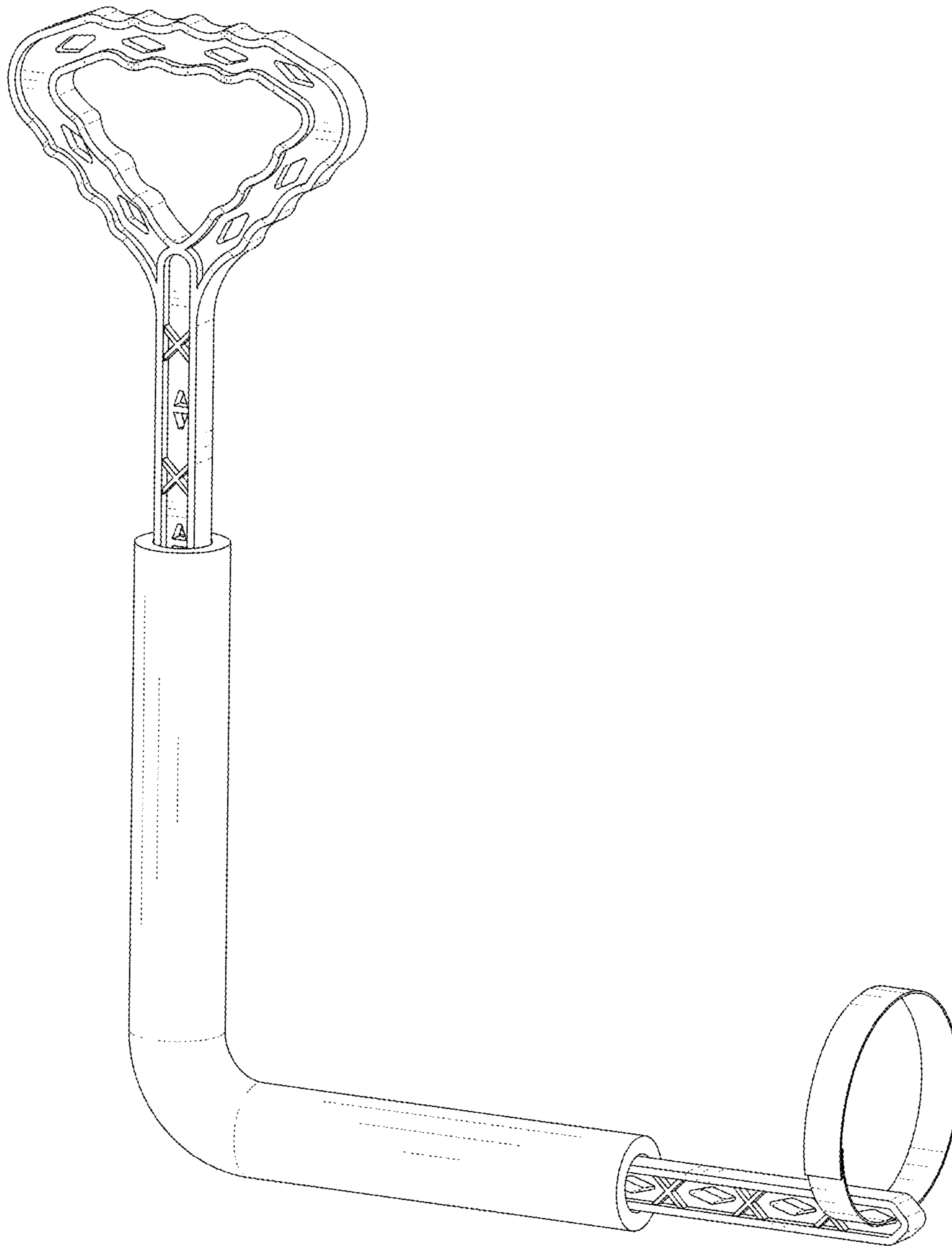


FIG. 1

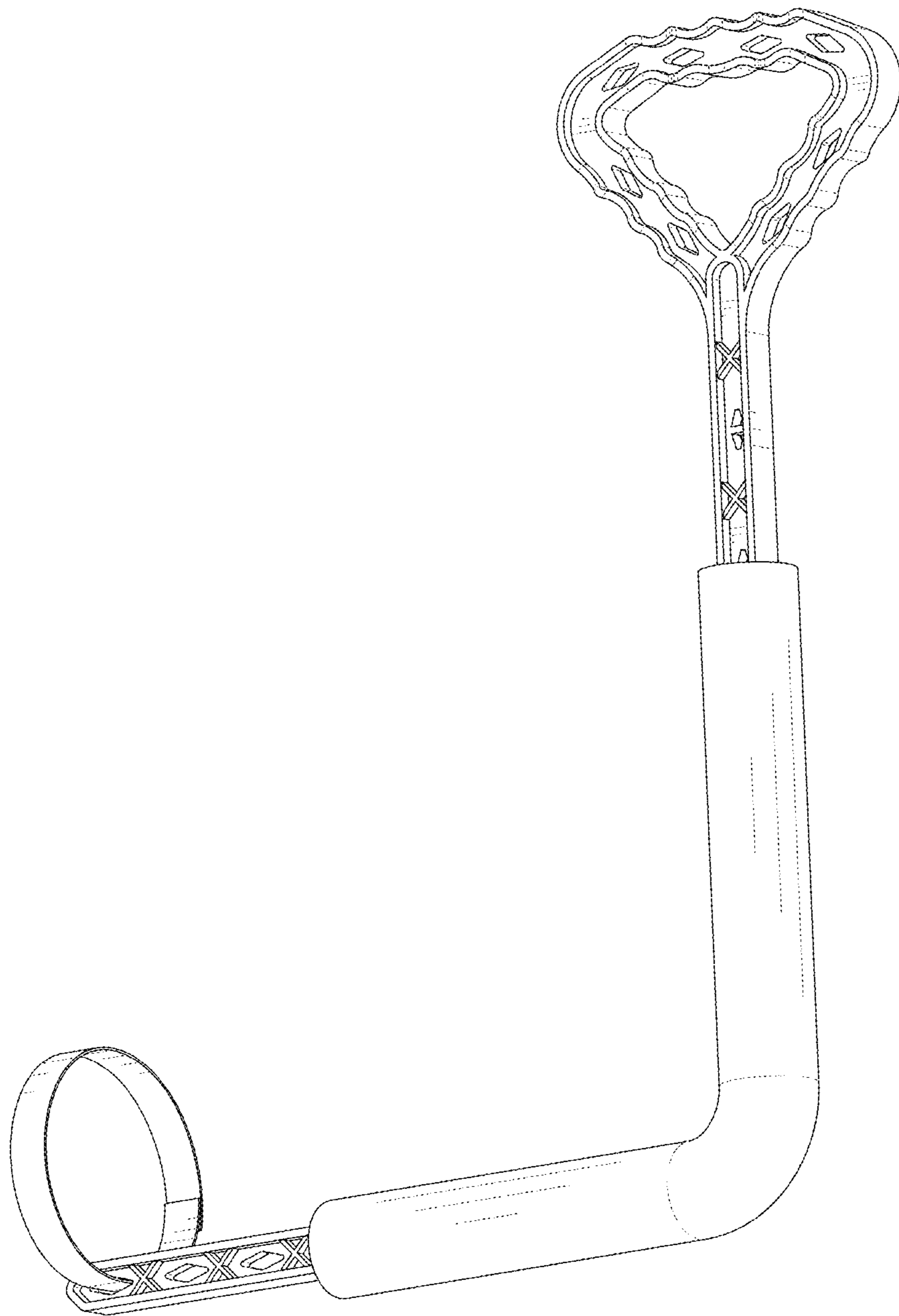


FIG. 2

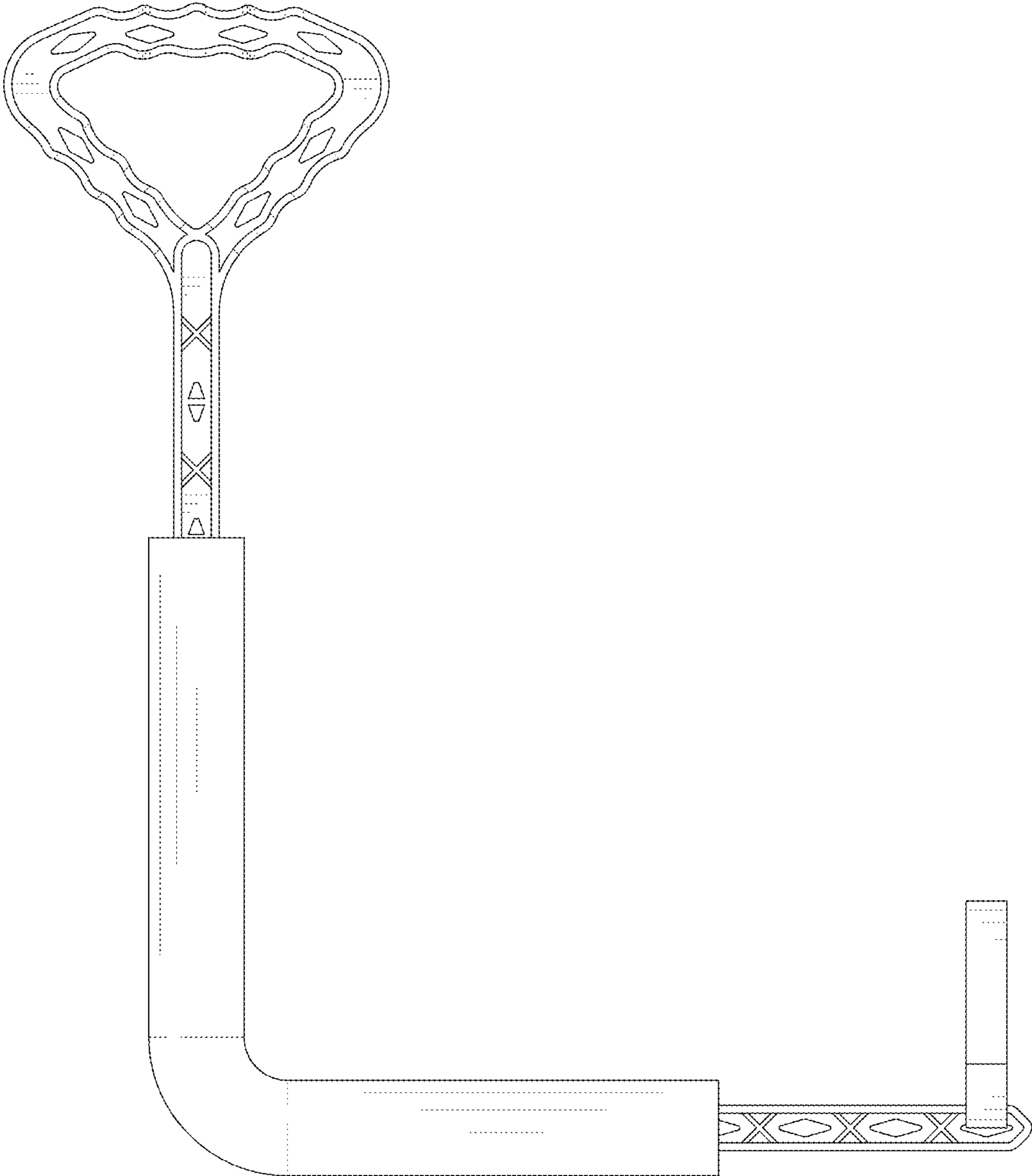


FIG. 3

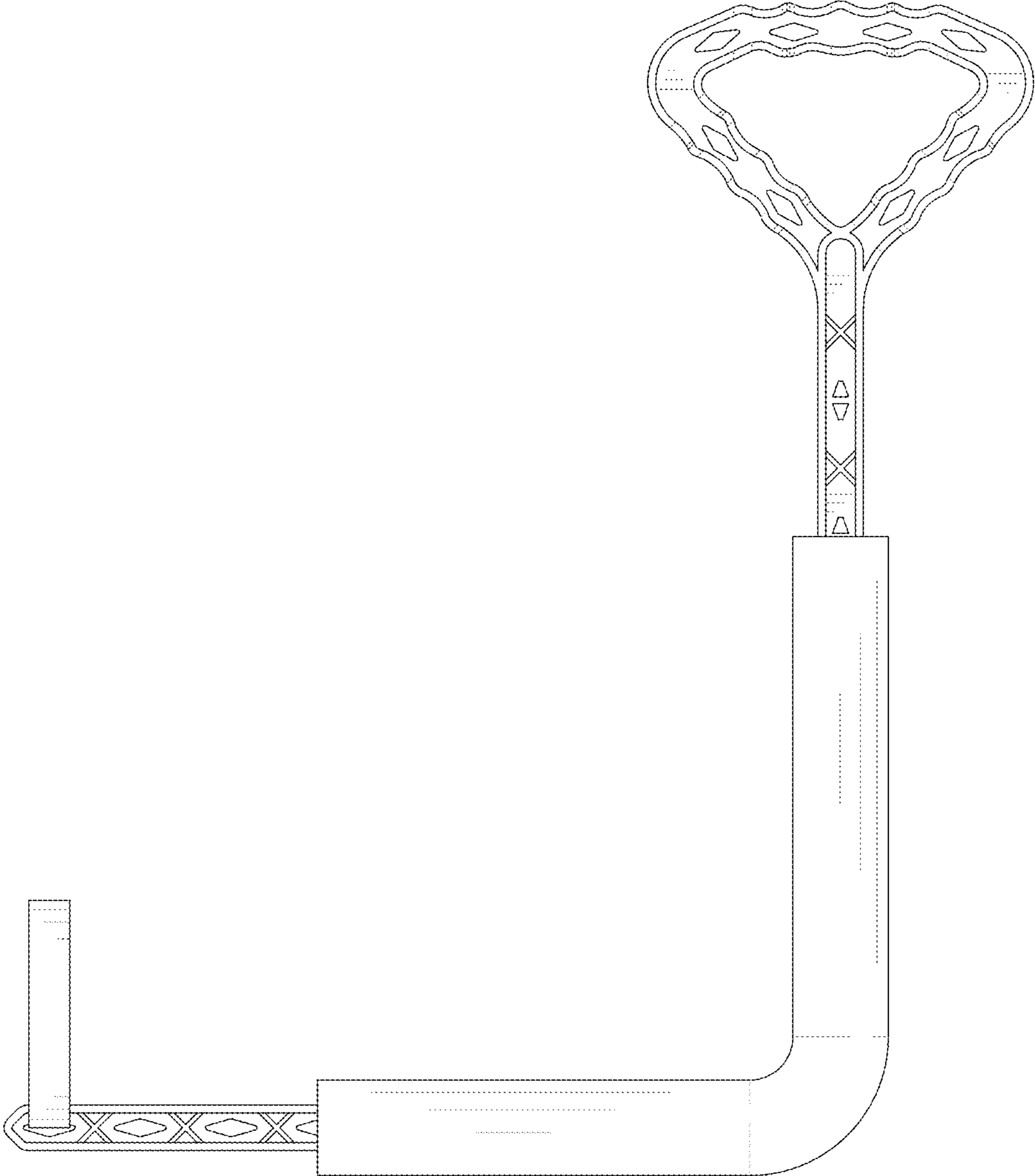


FIG. 4

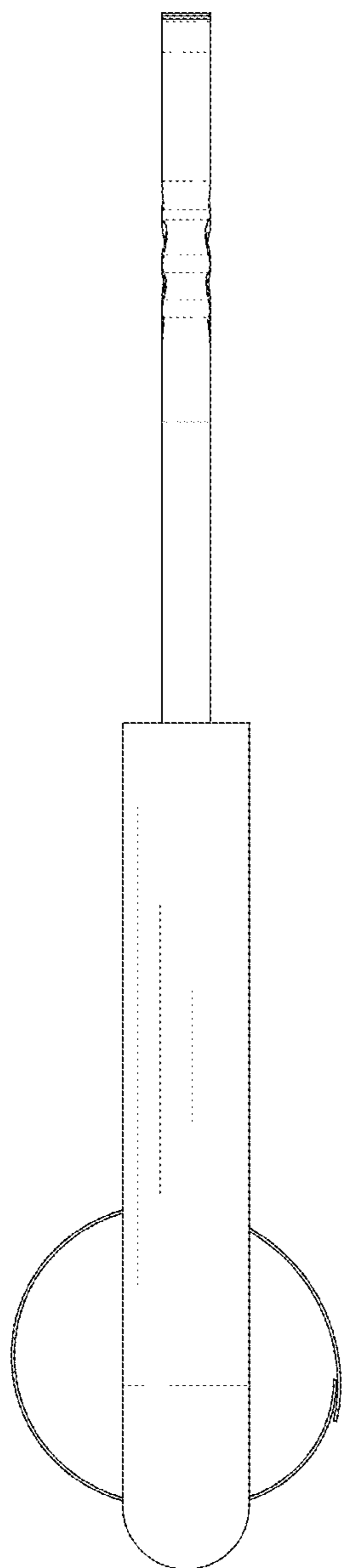


FIG. 5

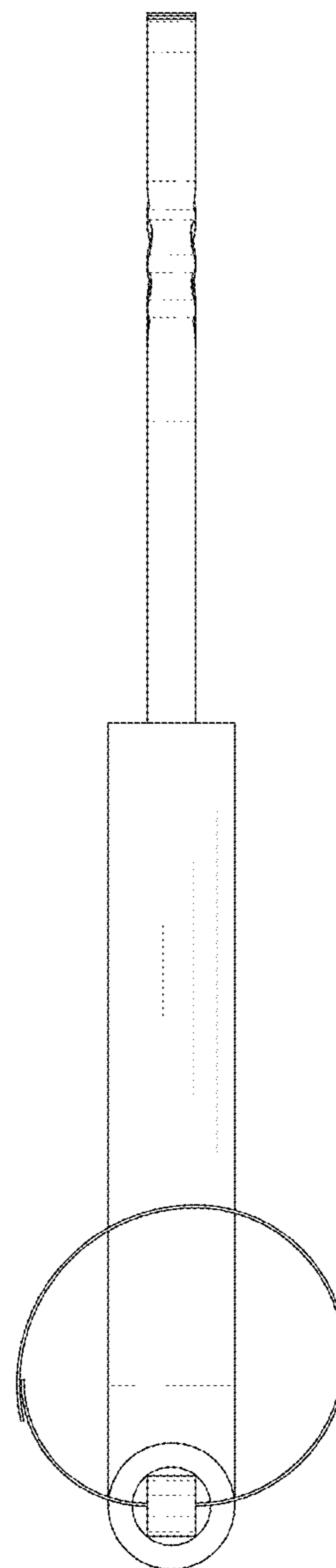


FIG. 6

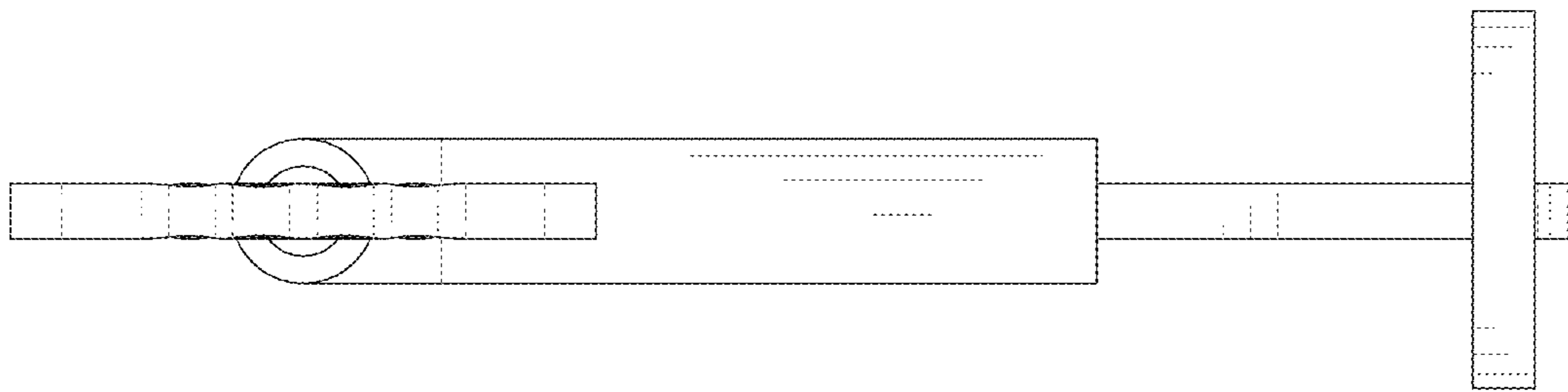


FIG. 7

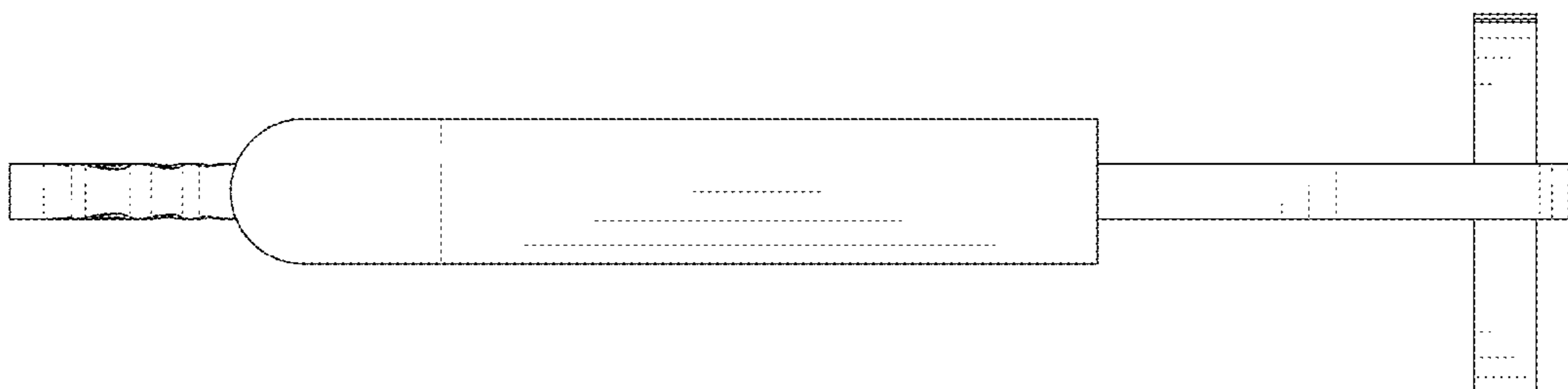


FIG. 8

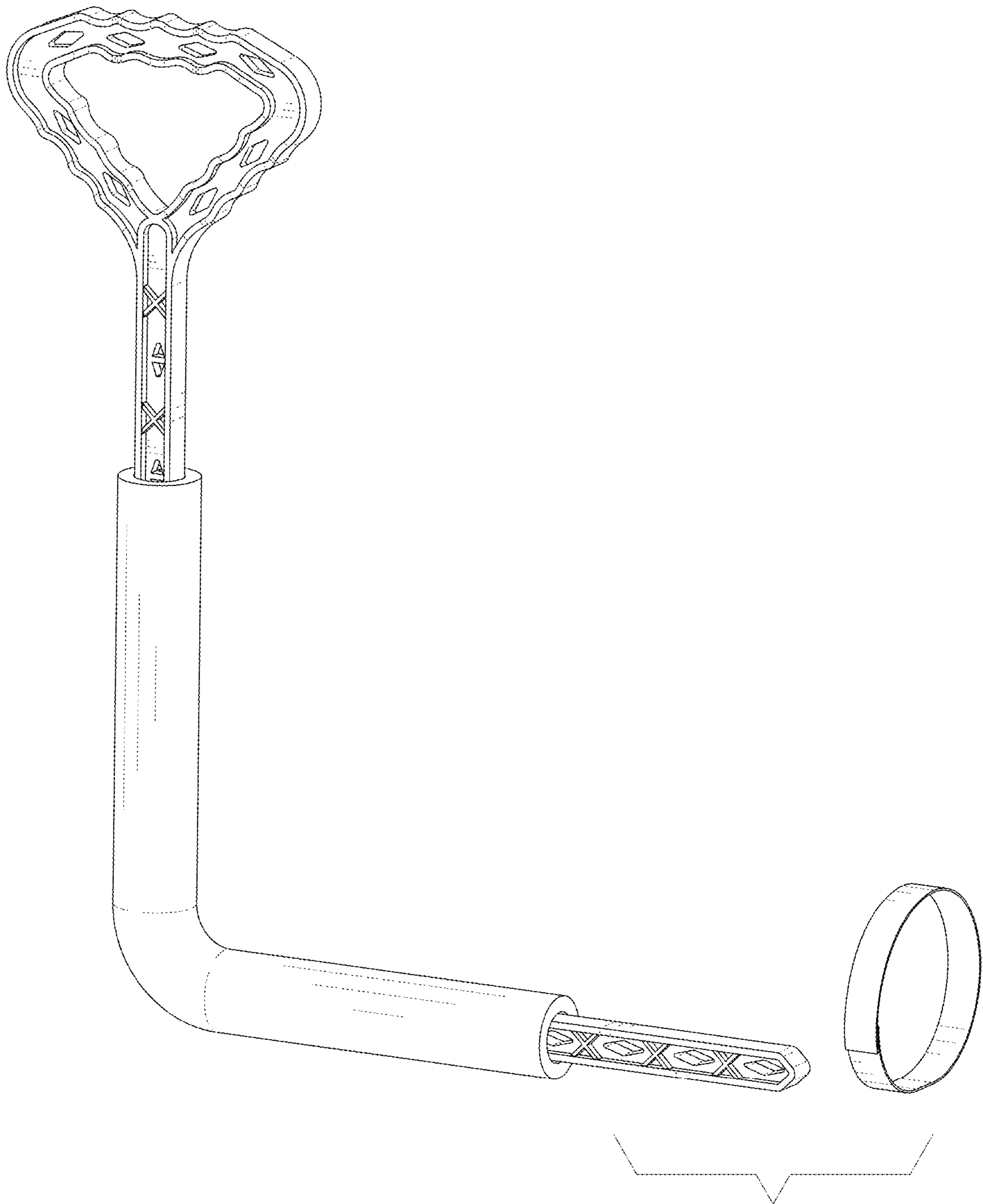


FIG. 9