



US00D985077S

(12) **United States Design Patent** (10) **Patent No.:** **US D985,077 S**  
**Zhao** (45) **Date of Patent:** **\*\* May 2, 2023**

- (54) **ABDOMINAL ROLLER WHEEL**
- (71) Applicant: **NINGBO LAND CRUISER INTERNATIONAL TRADING CO., LTD**, Ningbo (CN)
- (72) Inventor: **Huande Zhao**, Jinhua (CN)
- (\*\*) Term: **15 Years**
- (21) Appl. No.: **29/825,941**
- (22) Filed: **Feb. 8, 2022**
- (30) **Foreign Application Priority Data**  
Dec. 3, 2021 (CN) ..... 202130799617.5
- (51) **LOC (14) Cl.** ..... **21-02**
- (52) **U.S. Cl.**  
USPC ..... **D21/688**
- (58) **Field of Classification Search**  
USPC ..... D21/662, 694, 692, 679, 680, 684, 686,  
D21/688  
See application file for complete search history.

- (56) **References Cited**  
**U.S. PATENT DOCUMENTS**  
3,752,475 A \* 8/1973 Ott ..... A63B 21/0004  
482/127  
D463,001 S \* 9/2002 Buchanan ..... D21/680  
D655,357 S 3/2012 Casey et al.  
D745,614 S 12/2015 Ho et al.  
D767,376 S \* 9/2016 Elliott ..... D8/360  
9,649,521 B2 \* 5/2017 Miller ..... A63B 21/4025  
D852,903 S 7/2019 Chuang  
D861,808 S \* 10/2019 Shi ..... D21/688  
D930,765 S \* 9/2021 Ehtesham ..... D21/684

- D949,252 S \* 4/2022 Chen ..... D21/662
- D951,376 S \* 5/2022 Li ..... D21/686
- 2012/0264578 A1 \* 10/2012 Frederick ..... A63B 22/20  
482/132

**OTHER PUBLICATIONS**

Cruiser Rhino, announced Sep. 6, 2021 [online], [site visited Sep. 22, 2022]. Available on internet, URL: <https://www.amazon.com/Workout-Equipment-Resistance-Strength-Exercise/dp/B09FJDKPXN/ref> (Year: 2021).\*

\* cited by examiner

*Primary Examiner* — Khawaja Anwar  
*Assistant Examiner* — Julice Seung Eun Oum  
(74) *Attorney, Agent, or Firm* — Rumit Ranjit Kanakia

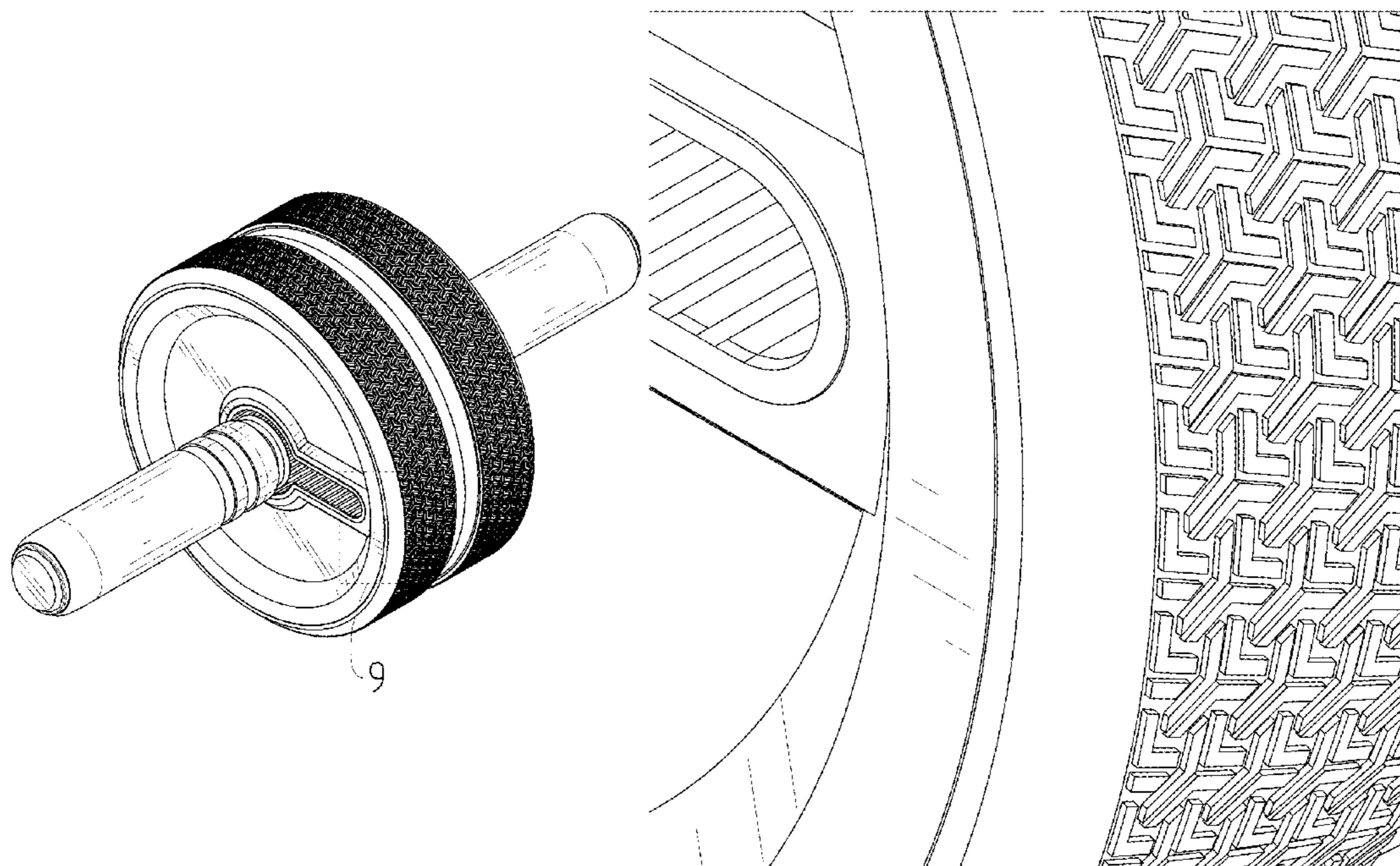
(57) **CLAIM**

The ornamental design for an abdominal roller wheel, as shown and described.

**DESCRIPTION**

FIG. 1 is a first perspective view of an abdominal roller wheel showing my new design;  
FIG. 2 is a second perspective view thereof;  
FIG. 3 is a front view thereof;  
FIG. 4 is a back view thereof;  
FIG. 5 is a left side view thereof;  
FIG. 6 is a right side view thereof;  
FIG. 7 is a top view thereof;  
FIG. 8 is a bottom view thereof;  
FIG. 9 is an enlarged view of the selected portion 9 in FIG. 1; and,  
FIG. 10 is an enlarged view of the selected portion 10 in FIG. 2.

**1 Claim, 10 Drawing Sheets**



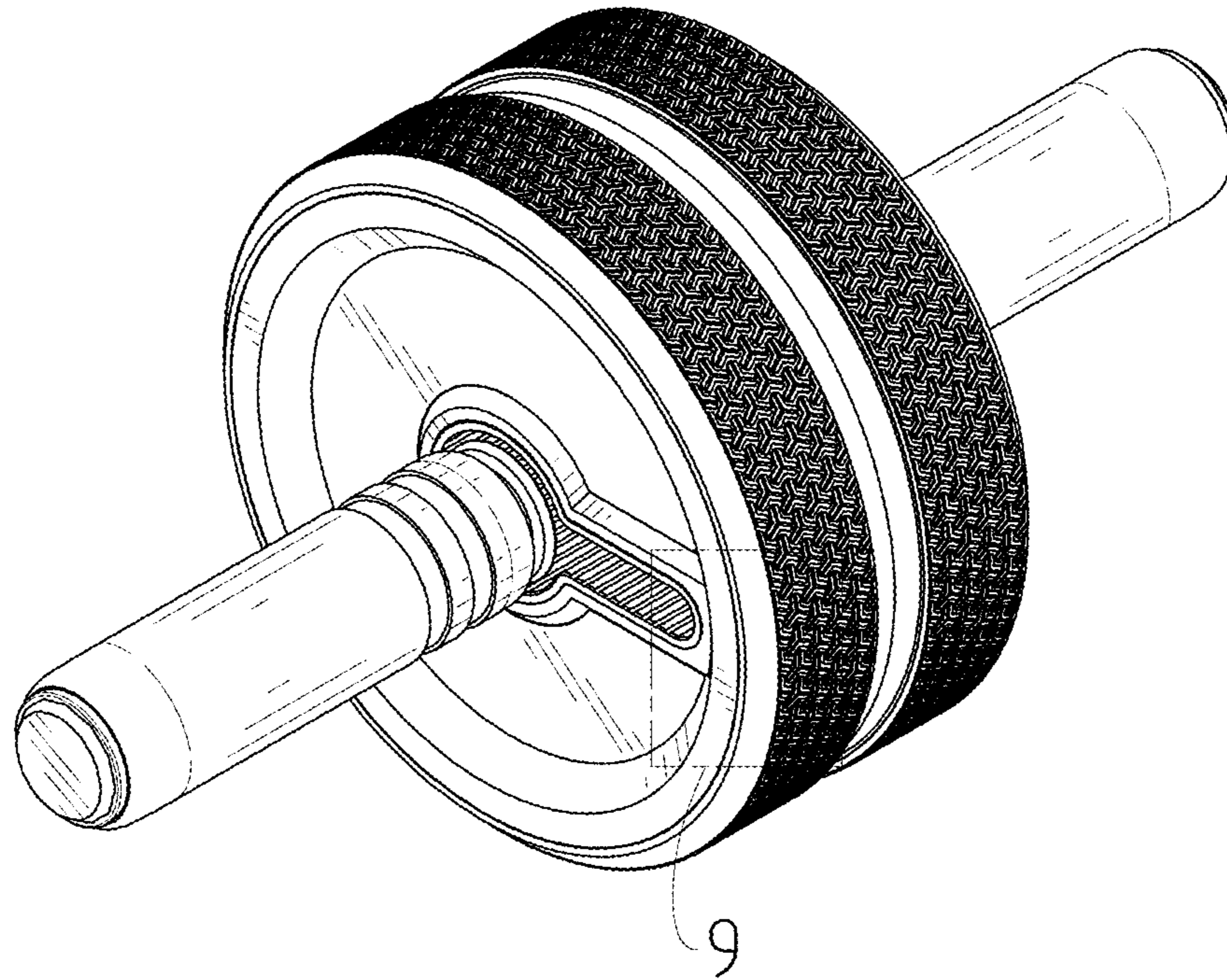


FIG. 1

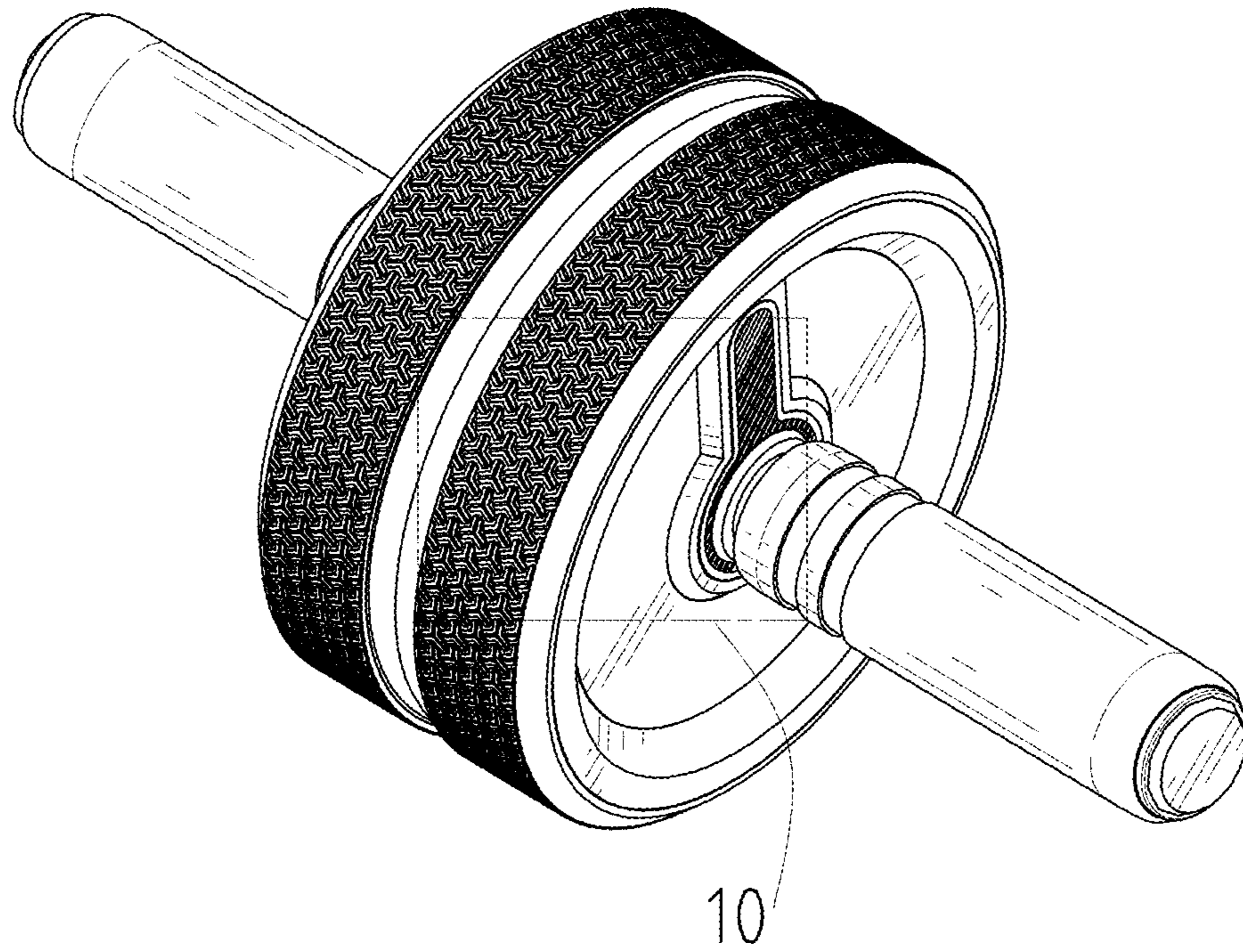


FIG. 2

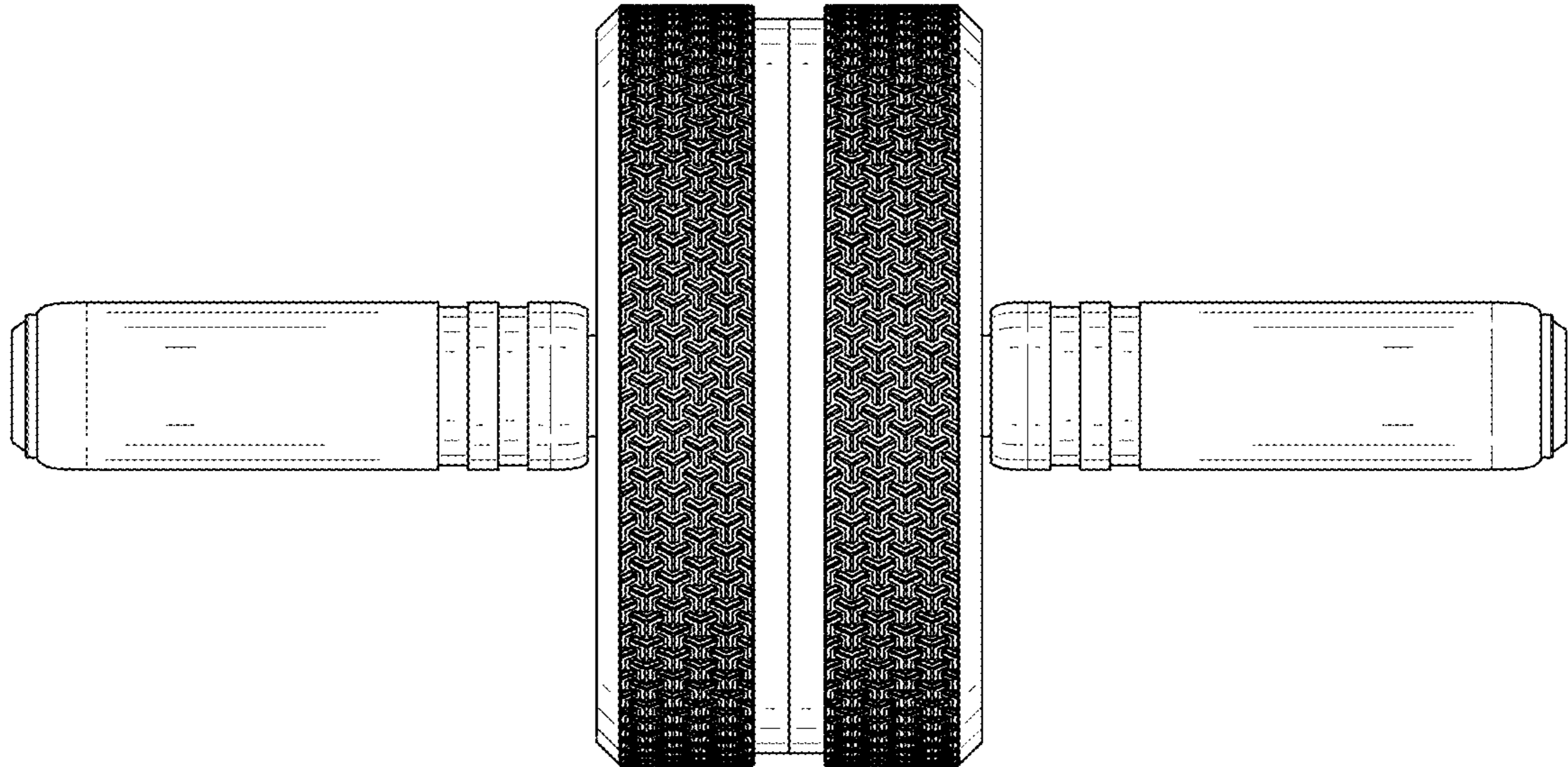


FIG. 3

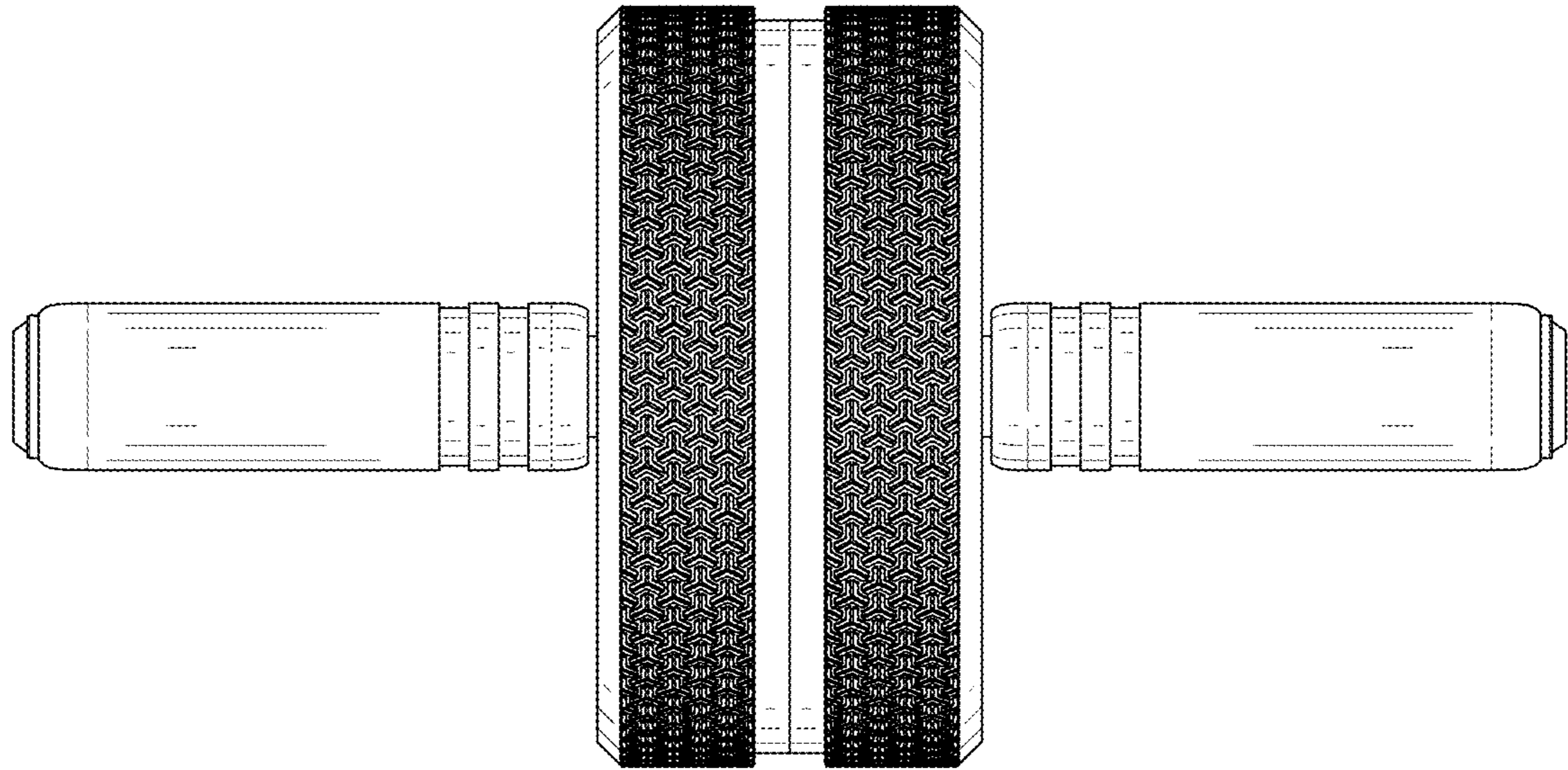


FIG. 4

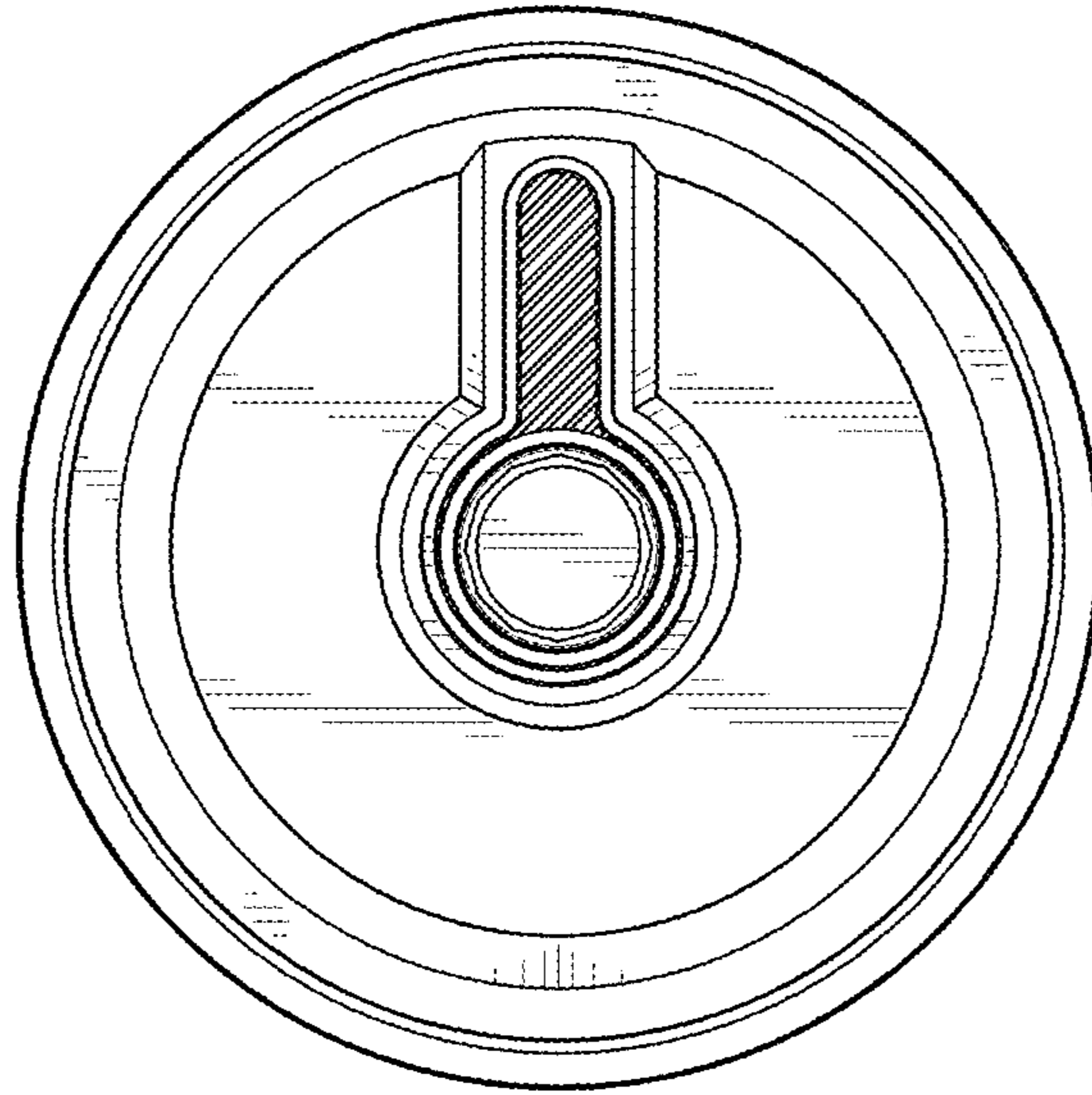


FIG. 5

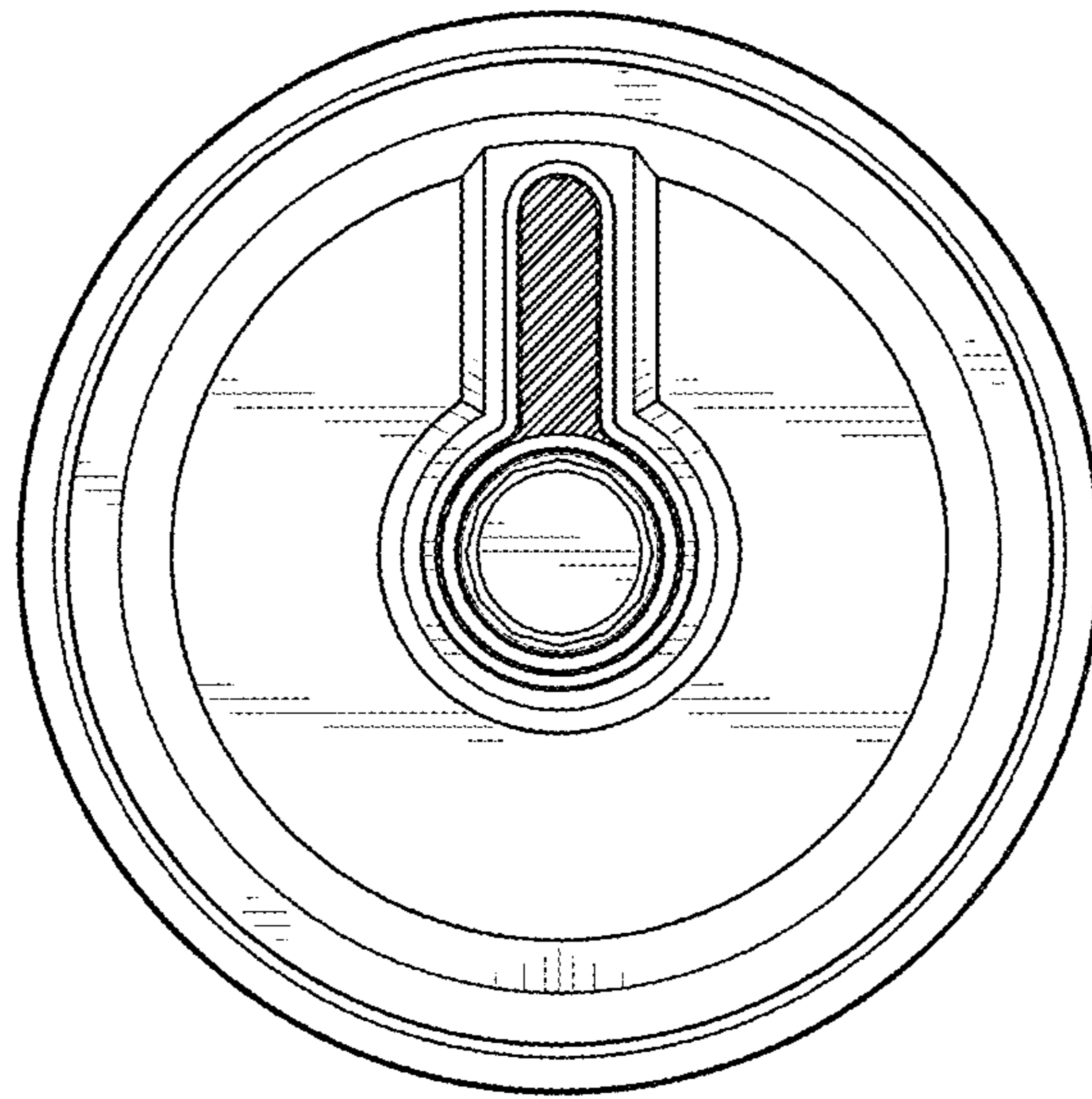


FIG. 6

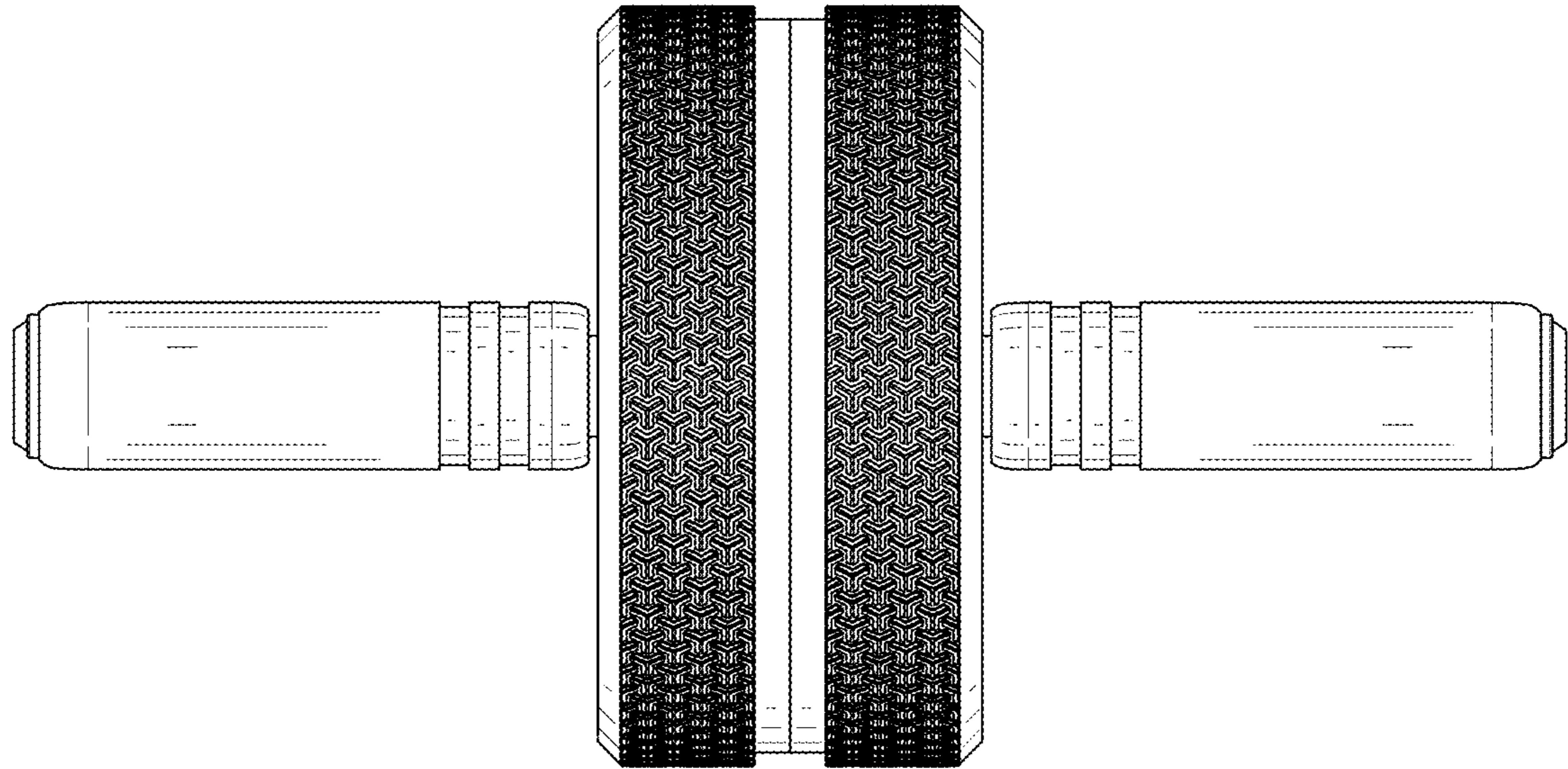


FIG. 7



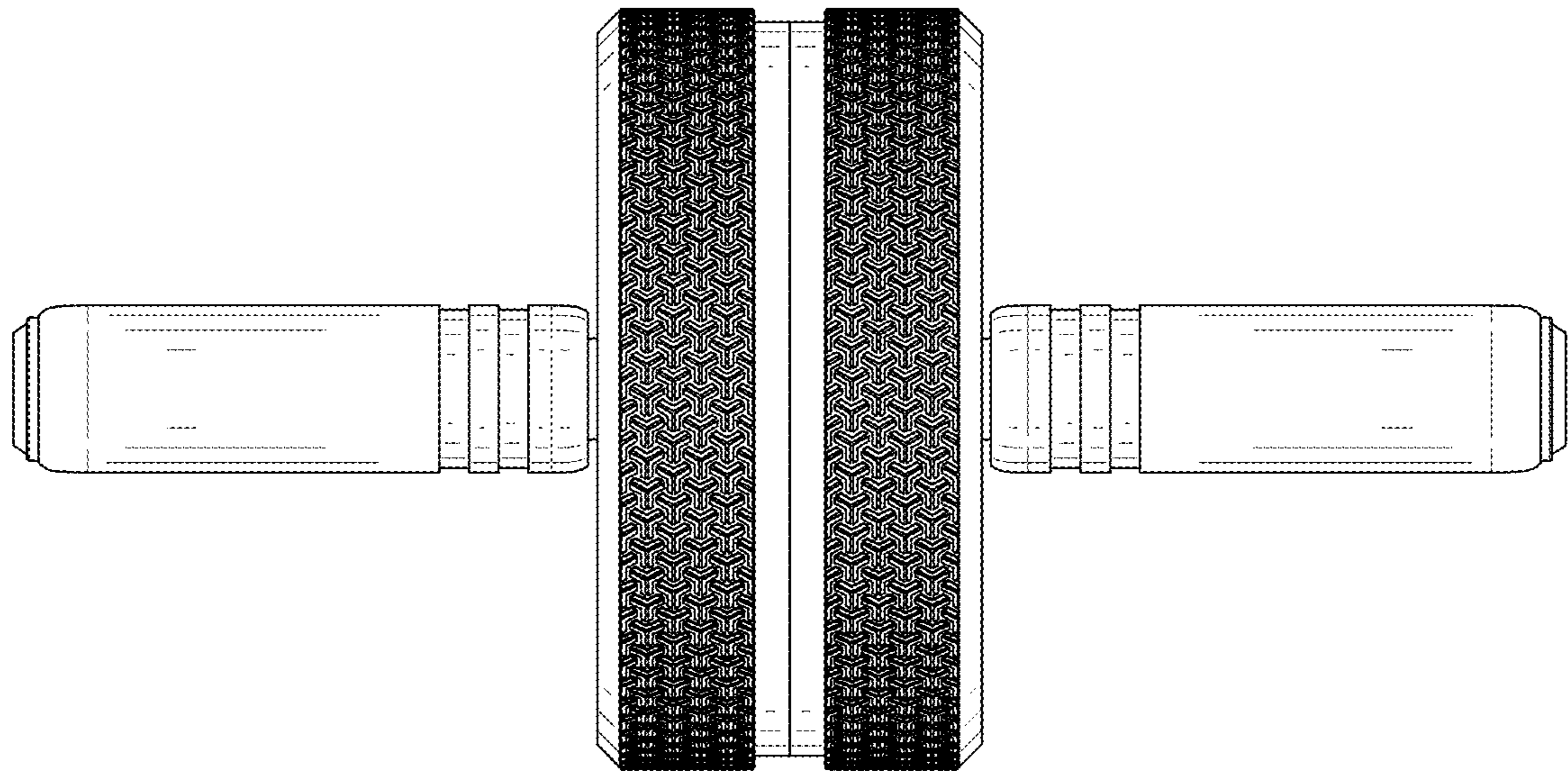


FIG. 8

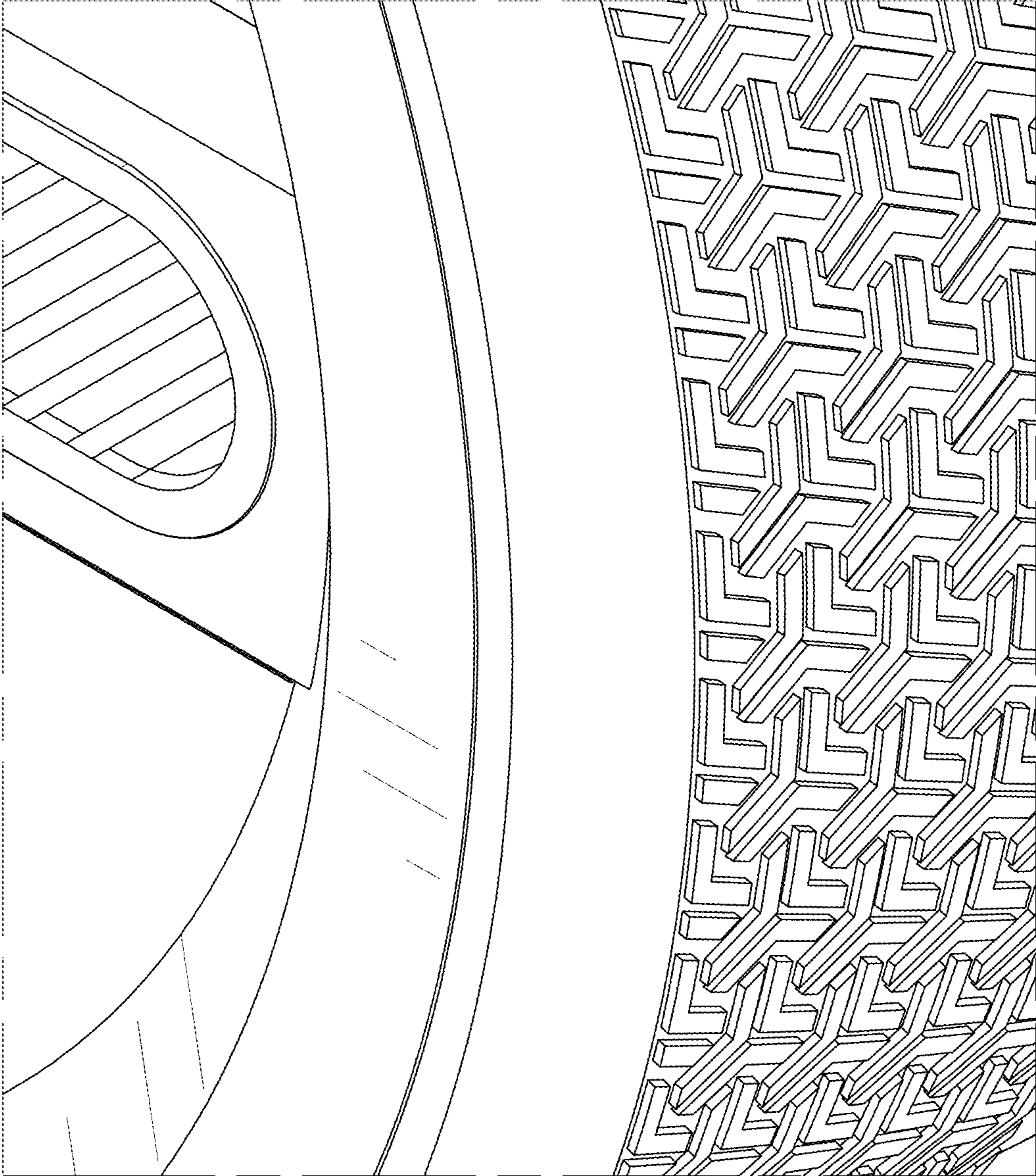


FIG. 9

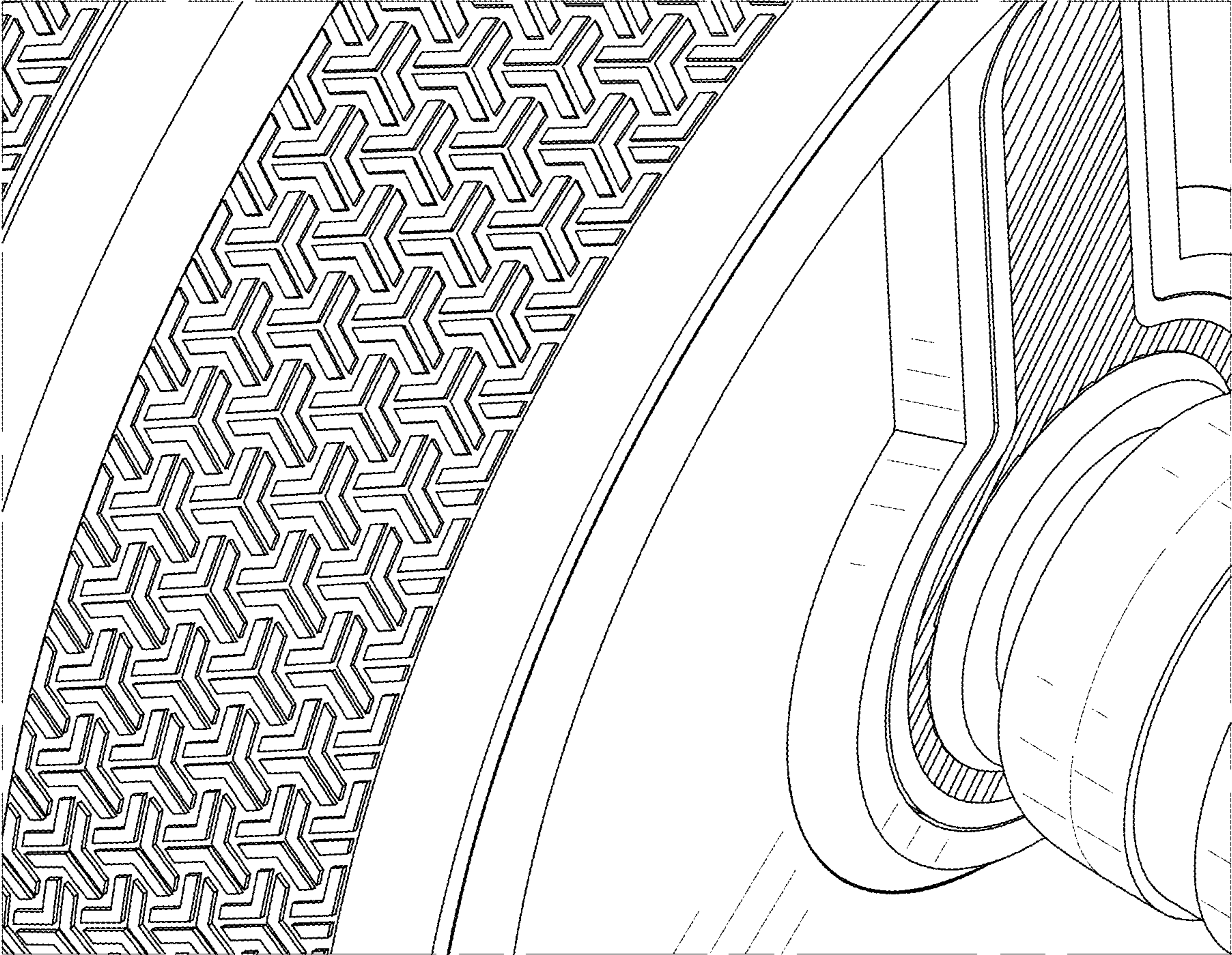


FIG. 10