



US00D985075S

(12) **United States Design Patent** (10) **Patent No.:** **US D985,075 S**  
**Lin** (45) **Date of Patent:** **\*\* May 2, 2023**

(54) **TOY GUN**

G06F 2203/0331; G01S 13/92; G01S 13/91; G01S 13/93; G01S 13/931; G01S 2013/932

(71) Applicant: **Shijun Lin**, Shantou (CN)

See application file for complete search history.

(72) Inventor: **Shijun Lin**, Shantou (CN)

(\*\*) Term: **15 Years**

(56) **References Cited**

(21) Appl. No.: **29/832,133**

U.S. PATENT DOCUMENTS

(22) Filed: **Mar. 24, 2022**

(51) **LOC (14) Cl.** ..... **21-01**

(52) **U.S. Cl.**

USPC ..... **D21/574**; D21/570

D225,005	S	*	10/1972	Greene	.....	D10/102
D400,199	S	*	10/1998	Fitch	.....	D14/428
D515,638	S	*	2/2006	Pflaumer	.....	D21/574
D654,118	S	*	2/2012	Sogabe	.....	D14/218
D664,609	S	*	7/2012	Johnson	.....	D21/574
9,189,908	B2	*	11/2015	Sampson	.....	B65H 3/56
10,109,136	B2	*	10/2018	McGowan	.....	F21L 4/00

(Continued)

(58) **Field of Classification Search**

USPC ..... D21/301, 324–327, 331–333, 385, 401, D21/567–575; D22/100–108; D14/412–413, 415–416, 418, 426–428, D14/430; D10/46, 98

CPC ..... A63H 33/009; A63H 33/28; A63H 33/30; A63H 33/3072; A63H 33/36; A63H 2200/00; F41C 3/005; F41C 3/06; F41C 3/08; F41C 3/10; F41C 3/12; F41C 3/00; F41C 3/14; F41C 3/16; F41C 7/00; F41C 7/02; F41C 7/025; F41C 7/04; F41C 7/06; F41C 7/11; F41C 7/12; F41C 9/00; F41C 27/00; F41C 33/08; F41B 7/08; F41B 11/89; F41B 5/00; F41B 5/0005; F41B 5/001; F41B 5/0026; F41B 5/0031; F41B 5/0052; F41B 5/0073; F41B 5/0094; F41B 5/10; F41B 5/12; F41B 5/123; F41B 5/126; F41B 1/00; F41B 9/00; F41B 9/005; F41B 9/0053; F41B 9/0009; F41B 9/0012; F41B 9/0028; F41B 9/0031; F41B 9/0078; F41B 9/0081; F41B 9/0096; F41B 4/00; F41B 15/00; A63F 13/837; A63F 13/92; A63F 13/98; A63F 13/00; A63F 13/20; A63F 13/24; A63F 13/245; A63F 9/02; A63F 9/0252; A63F 2009/0256; A63F 2009/0265; A63F 2009/026; G06F 3/011; G06F 3/014; G06F 3/02; G06F 3/0202;

OTHER PUBLICATIONS

Lin, Shijun, CN Design No. 307362318, published at Orbit, publication date May 24, 2022. Site visited Sep. 27, 2022. Available from Internet. (Year: 2022).\*

(Continued)

*Primary Examiner* — Kathleen L Jones

(74) *Attorney, Agent, or Firm* — Rumit Ranjit Kanakia

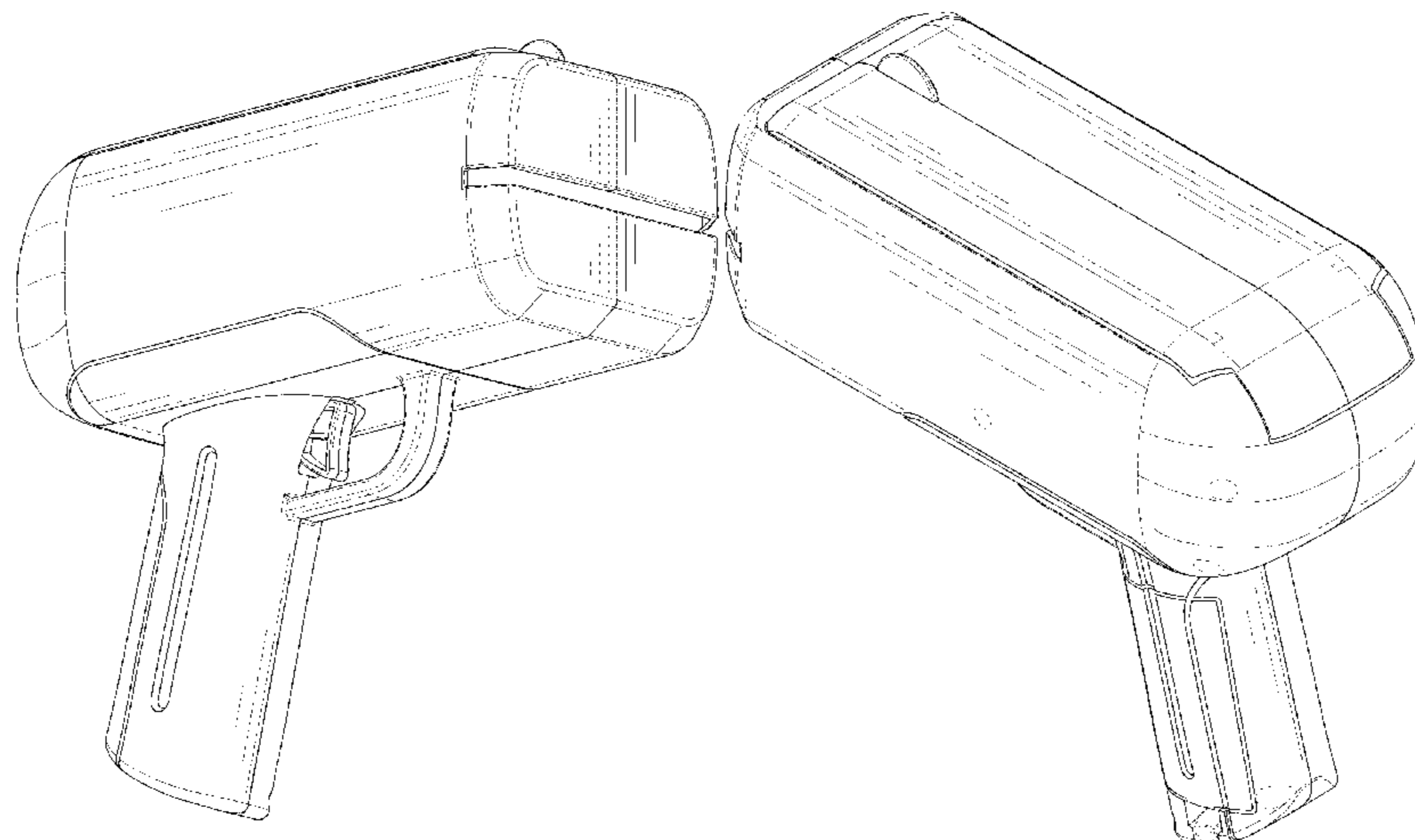
(57) **CLAIM**

The ornamental design for a toy gun, as shown and described.

**DESCRIPTION**

FIG. 1 is a first perspective view of a toy gun showing my new design;  
FIG. 2 is a second perspective view thereof;  
FIG. 3 is a front view thereof;  
FIG. 4 is a back view thereof;  
FIG. 5 is a left side view thereof;  
FIG. 6 is a right side view thereof;  
FIG. 7 is a top view thereof; and,  
FIG. 8 is a bottom view thereof.

(Continued)



The broken lines shown in the drawings depict portions of the toy gun that form no part of the claimed design.

1 Claim, 8 Drawing Sheets

2014/0345586	A1*	11/2014	Schexnayder .....	F41B 4/00 124/32
2018/0117754	A1*	5/2018	Corn .....	B25F 3/00
2019/0201771	A1*	7/2019	Kelley .....	A63B 71/0619
2019/0222771	A1*	7/2019	Hedeen .....	H02J 50/10
2021/0364250	A1*	11/2021	DeSantis .....	F41C 33/0209

(56)

References Cited

U.S. PATENT DOCUMENTS

D839,970	S	2/2019	Chu	
D842,390	S	3/2019	Iwasawa	
D844,005	S *	3/2019	Murray .....	D14/428
D846,038	S	4/2019	Lin	
D847,136	S *	4/2019	Tenbrink .....	D21/333
D896,895	S *	9/2020	Yang .....	D21/401
11,198,072	B2 *	12/2021	Waxkirsh .....	A63F 1/14
D962,349	S *	8/2022	Gao .....	D21/401
2005/0024807	A1 *	2/2005	Cerovic .....	F41H 13/0018 361/232
2013/0312722	A1 *	11/2013	Price .....	F41B 15/00 124/1

OTHER PUBLICATIONS

Alagoo Store, Super Money Guns, posted at Amazon, review posting date Feb. 23, 2021. Site visited Sep. 27, 2022. URL: <<https://www.amazon.com/Alagoo-Playing-Handheld-Dispenser-Metallic/dp/B08L7NHBQR/>> (Year: 2021).\*

Sogabe, Takashi, RU Design No. 00079968, published at Orbit, publication date Oct. 16, 2011. Site visited Sep. 7, 2022. Available from Internet. (Year: 2011).\*

Wang, Lei, CN Design No. 306279578, published at Orbit, publication date Jan. 12, 2021. Site visited Sep. 7, 2022. Available from Internet. (Year: 2021).\*

\* cited by examiner

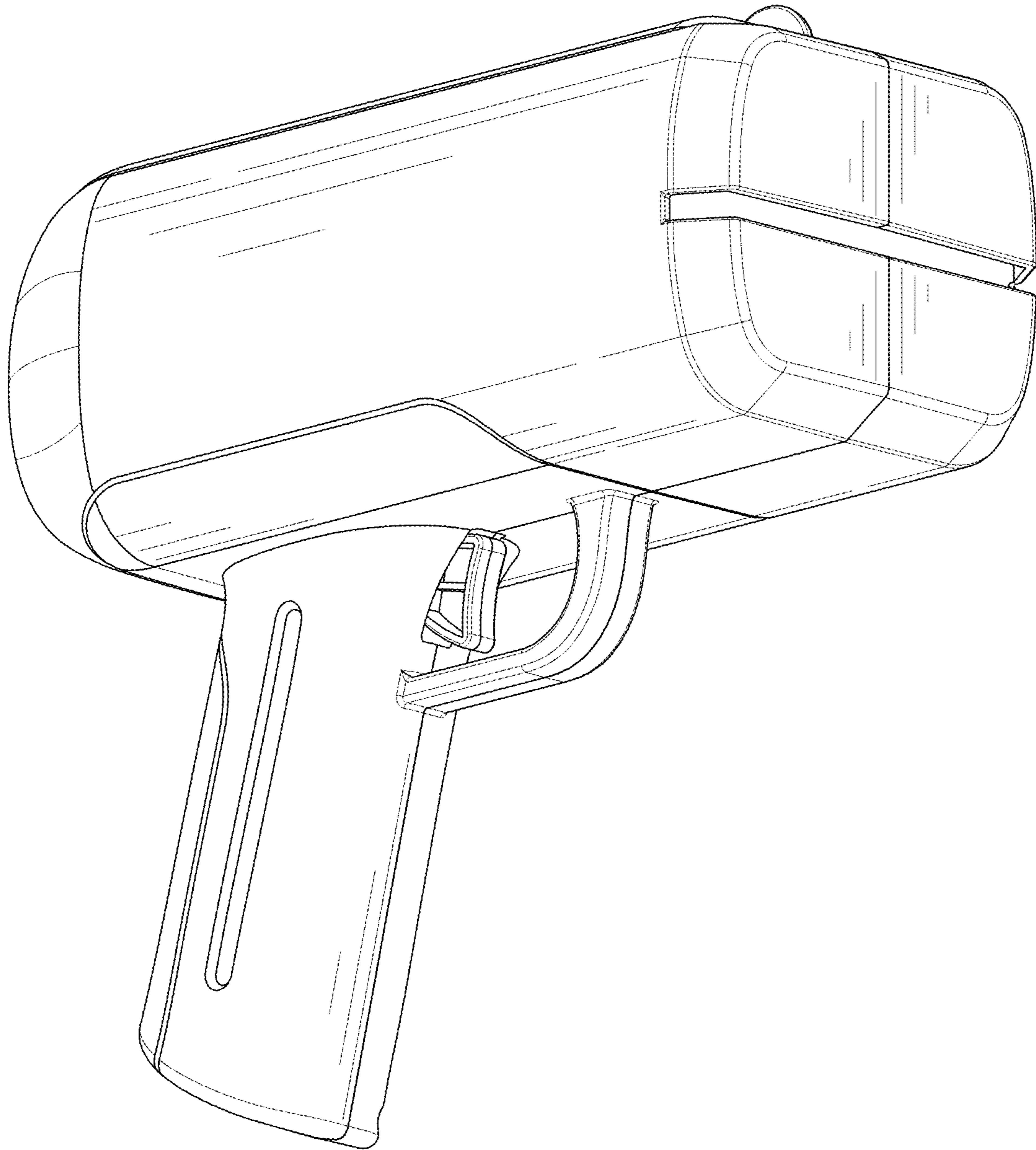


FIG. 1

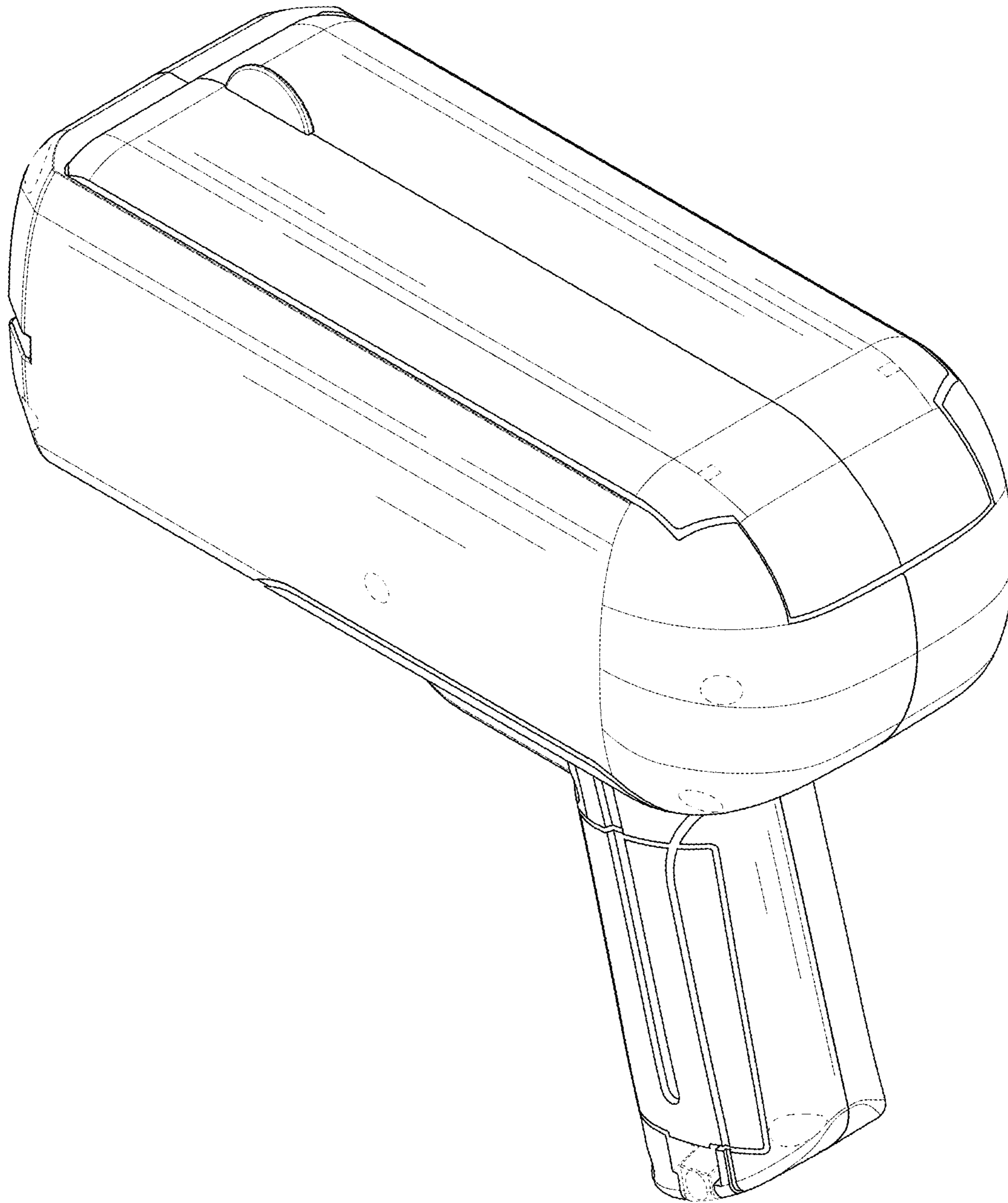


FIG. 2

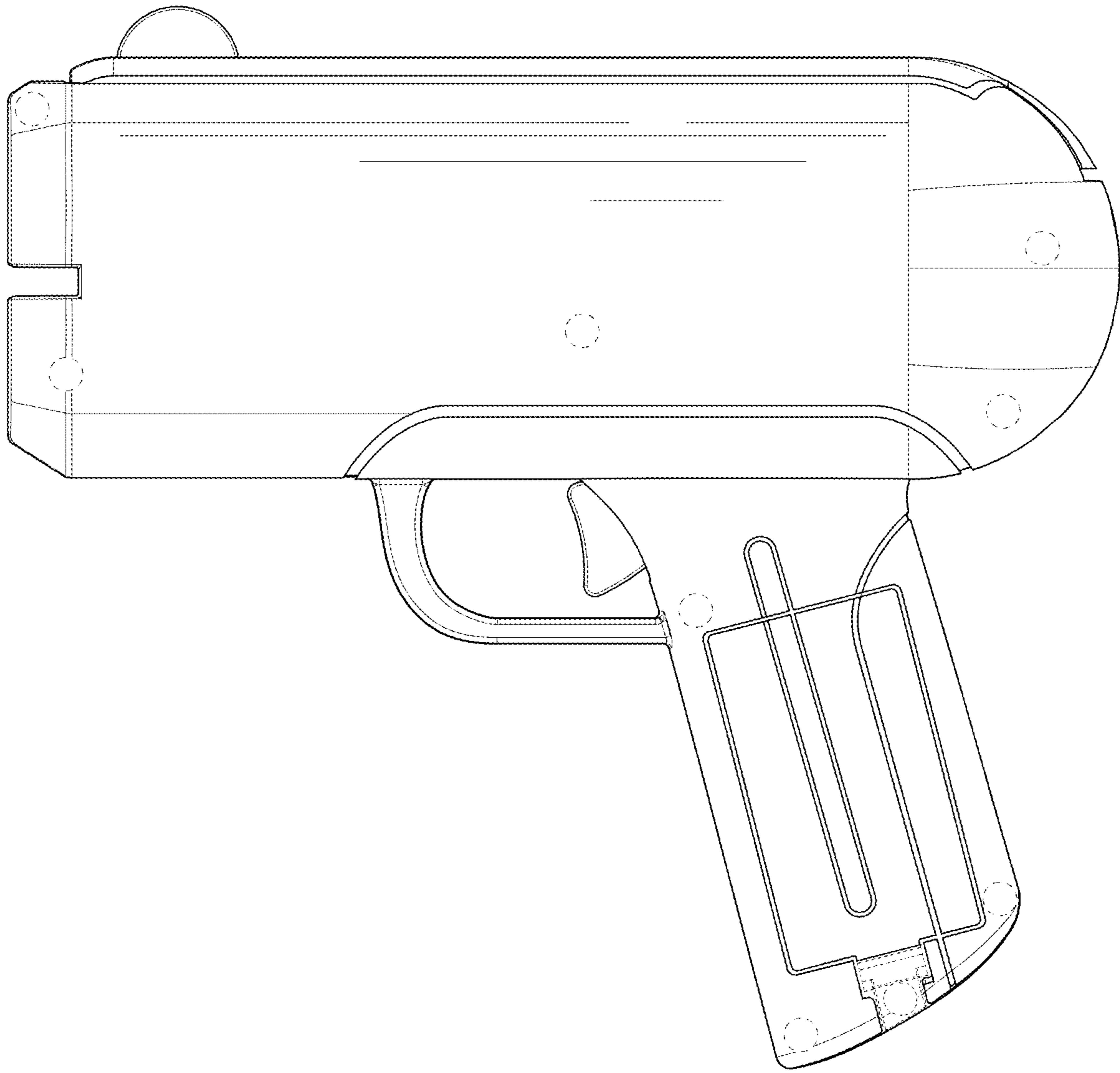


FIG. 3

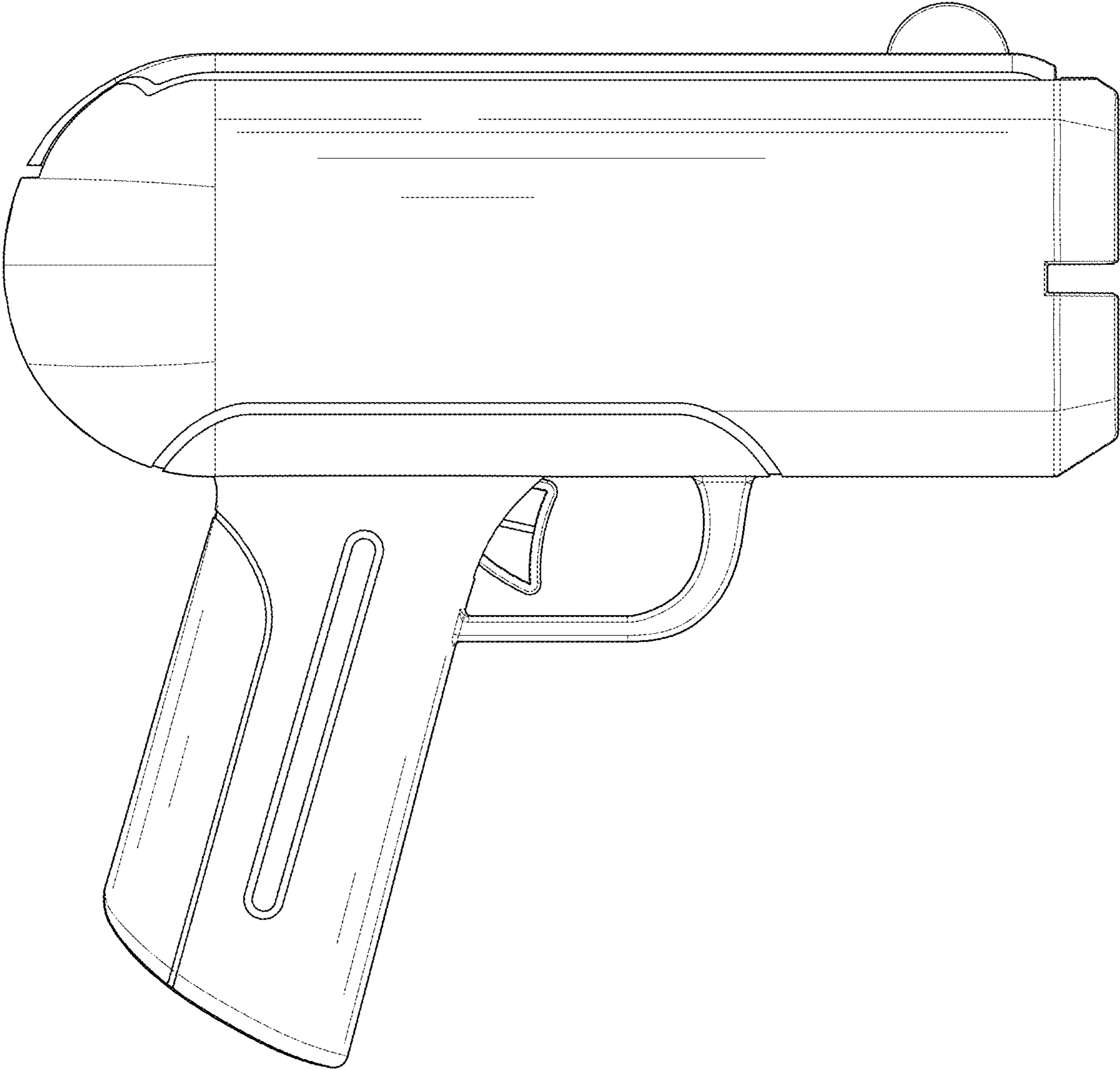


FIG. 4

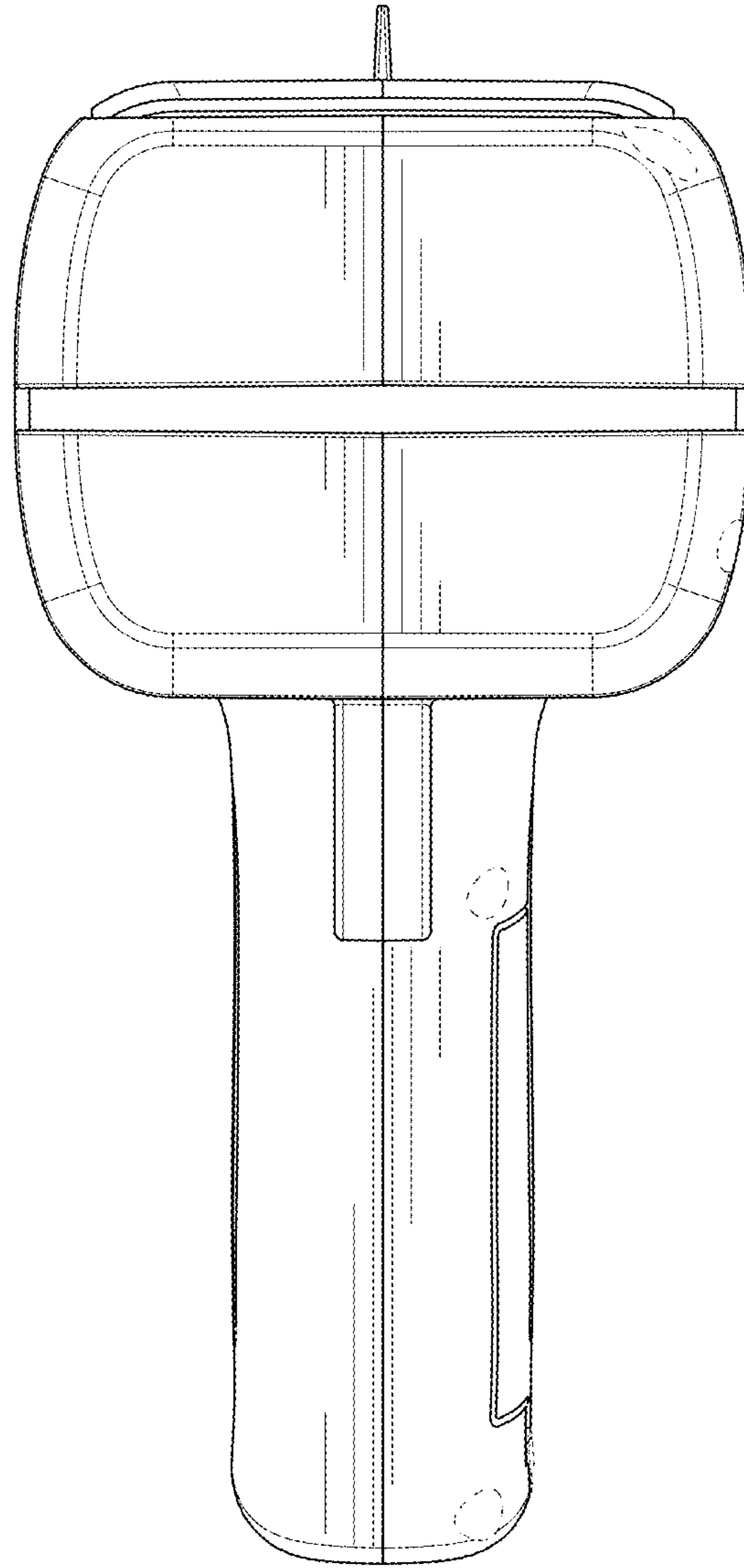


FIG. 5

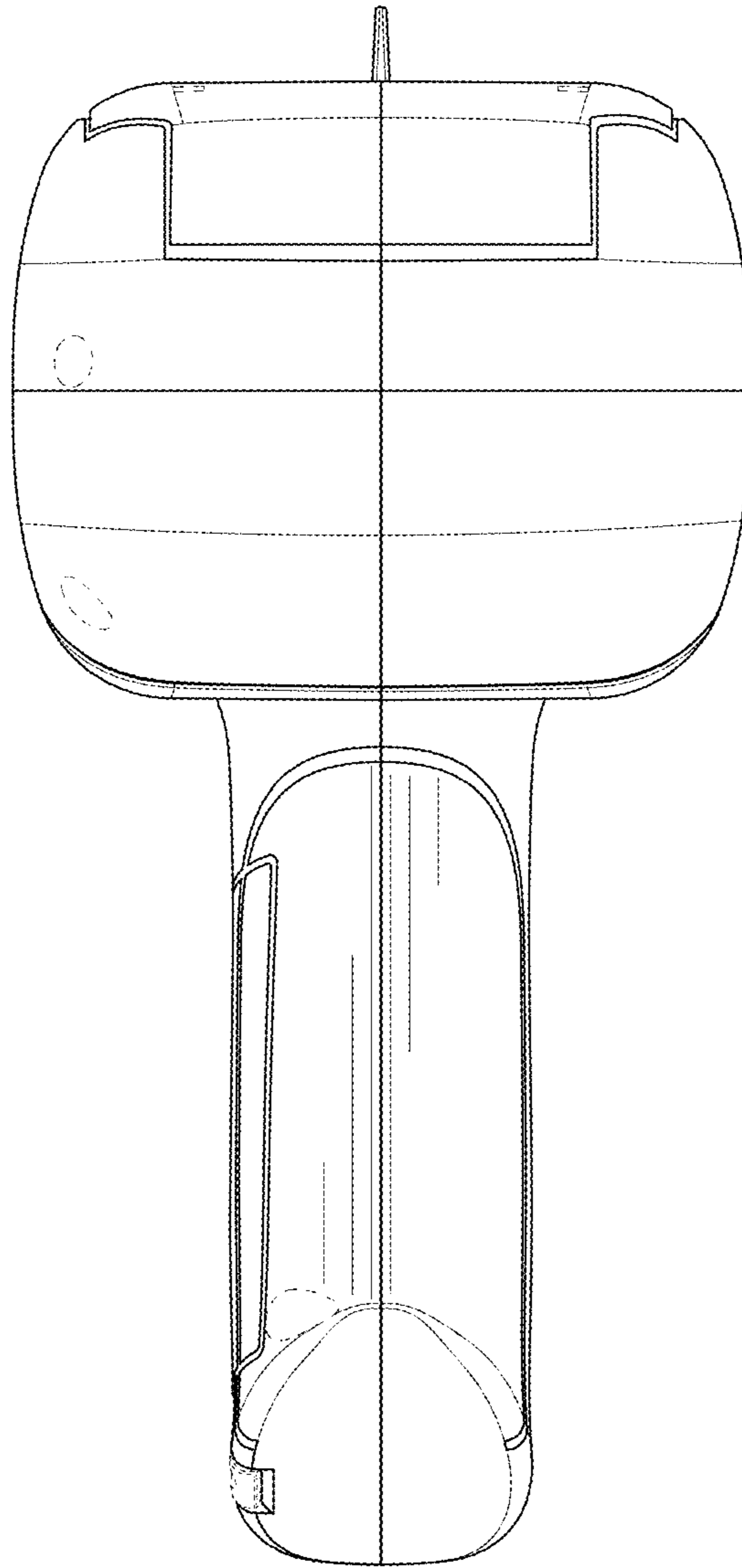


FIG. 6



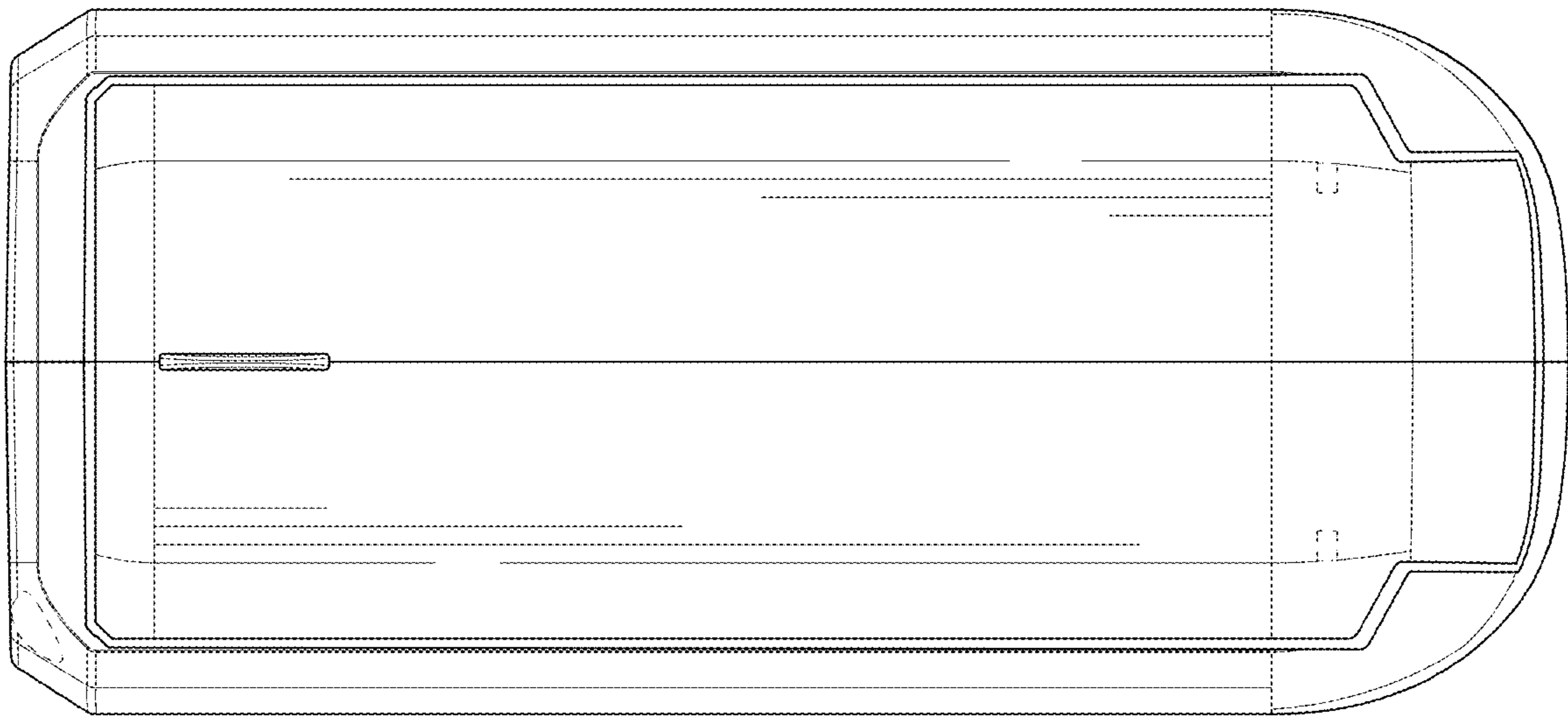


FIG. 7

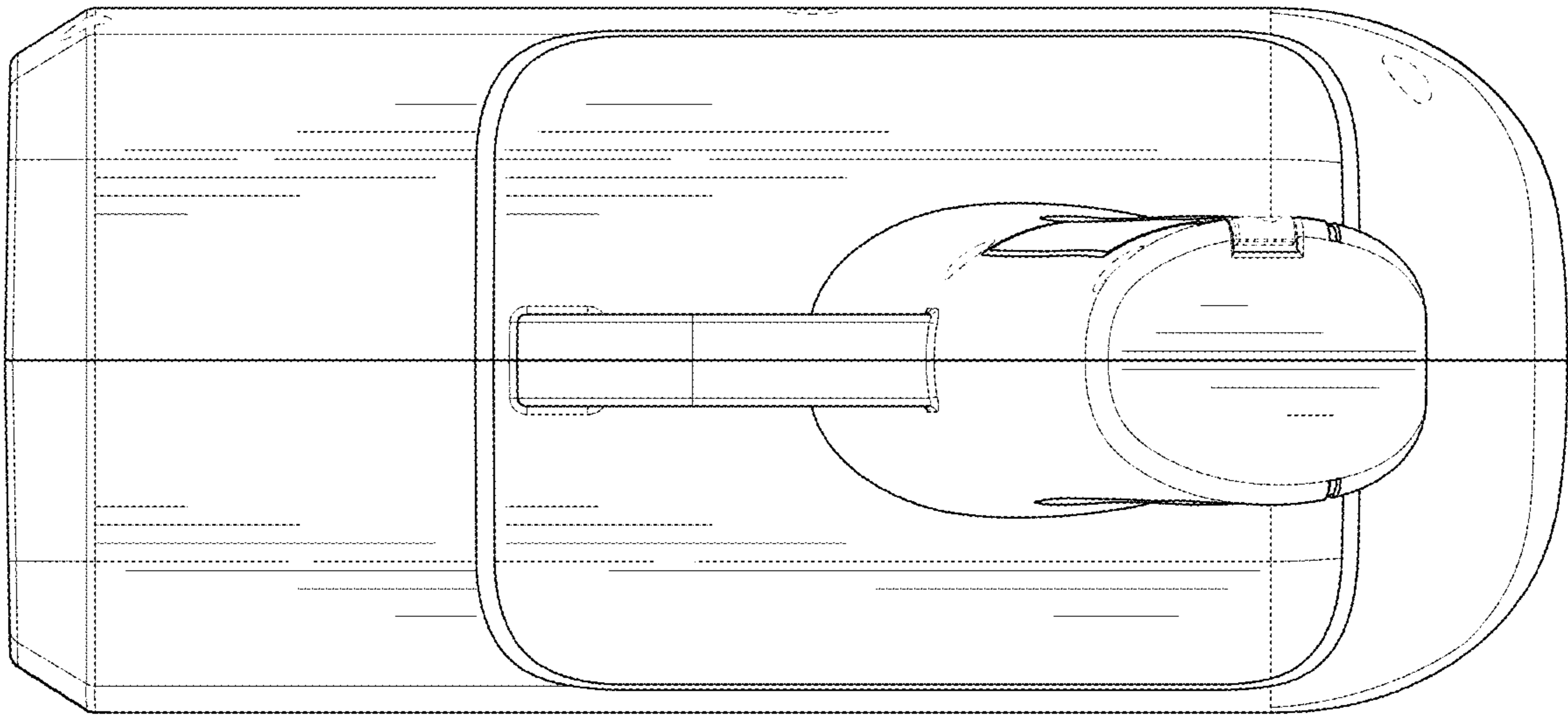


FIG. 8