



US00D985074S

(12) **United States Design Patent**
Lin

(10) **Patent No.:** **US D985,074 S**
(45) **Date of Patent:** **** May 2, 2023**

(54) **WATER GUN**

(71) Applicant: **Ruiqiang Lin**, Shantou (CN)

(72) Inventor: **Ruiqiang Lin**, Shantou (CN)

(**) Term: **15 Years**

(21) Appl. No.: **29/866,281**

(22) Filed: **Sep. 7, 2022**

(51) **LOC (14) Cl.** **21-01**

(52) **U.S. Cl.**

USPC **D21/572**; D21/567; D21/570; D21/573

(58) **Field of Classification Search**

USPC D21/572, 573, 333, 570; D14/418;
D22/100, 103, 105; D23/226

CPC A63H 33/28; F41B 9/0012; F41B 9/0078

See application file for complete search history.

(56) **References Cited**

U.S. PATENT DOCUMENTS

5,984,788	A	*	11/1999	Lebensfeld	F41J 5/02 463/51
D426,593	S	*	6/2000	Zimmerman	D21/572
D436,108	S	*	1/2001	Lee	D21/333
D474,529	S	*	5/2003	Sodemann	D23/223
D489,792	S	*	5/2004	Chen	D23/223
D511,808	S	*	11/2005	Chen	D23/223
D539,494	S	*	3/2007	Carpanese	D32/25
D547,422	S	*	7/2007	Carpanese	D23/226
D550,411	S	*	9/2007	Carpanese	D32/25
D557,355	S	*	12/2007	Higuchi	D21/572
D615,157	S	*	5/2010	Chen	D23/226
D629,067	S	*	12/2010	Carpanese	D23/226
D903,789	S		12/2020	Zheng		
D944,336	S	*	2/2022	Ren	D21/572
D949,983	S		4/2022	Walter		

FOREIGN PATENT DOCUMENTS

EM	009167257-0001	*	9/2022
HK	0901588-0001	*	10/2009
HK	1400812-0001	*	5/2014

OTHER PUBLICATIONS

Amazon Website, NERF Rival Curve Shot, Earliest Available Date: Feb. 7, 2021 [Website Visited on Dec. 9, 2022], Available on the internet URL <https://www.amazon.com/NERF-XXI-100-Blaster-Downward-Straight/dp/B08HSQVV3S> (Year: 2021).*

* cited by examiner

Primary Examiner — S. Bryan Reinholdt, Jr.

Assistant Examiner — James T Tyree

(74) *Attorney, Agent, or Firm* — True Shepherd LLC;
Andrew C. Cheng

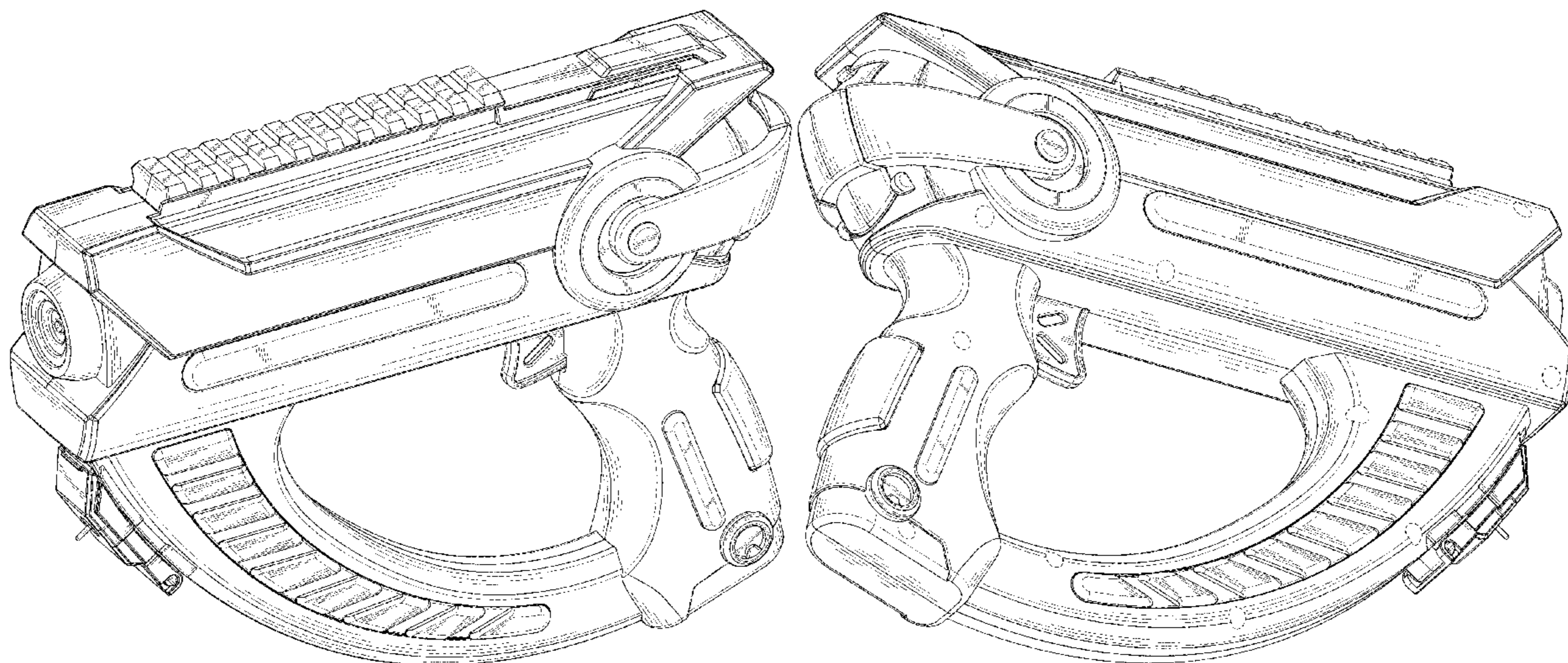
(57) **CLAIM**

The ornamental design for a water gun, as shown and described.

DESCRIPTION

FIG. 1 is a perspective view of a water gun showing my new design according to a first embodiment; FIG. 2 is another perspective view thereof; FIG. 3 is a front view thereof; FIG. 4 is a rear view thereof; FIG. 5 is a left side view thereof; FIG. 6 is a right side view thereof; FIG. 7 is a top plan view thereof; and, FIG. 8 is a bottom plan view thereof. The broken lines depict portions of the water gun and form no part of the claimed design.

1 Claim, 8 Drawing Sheets



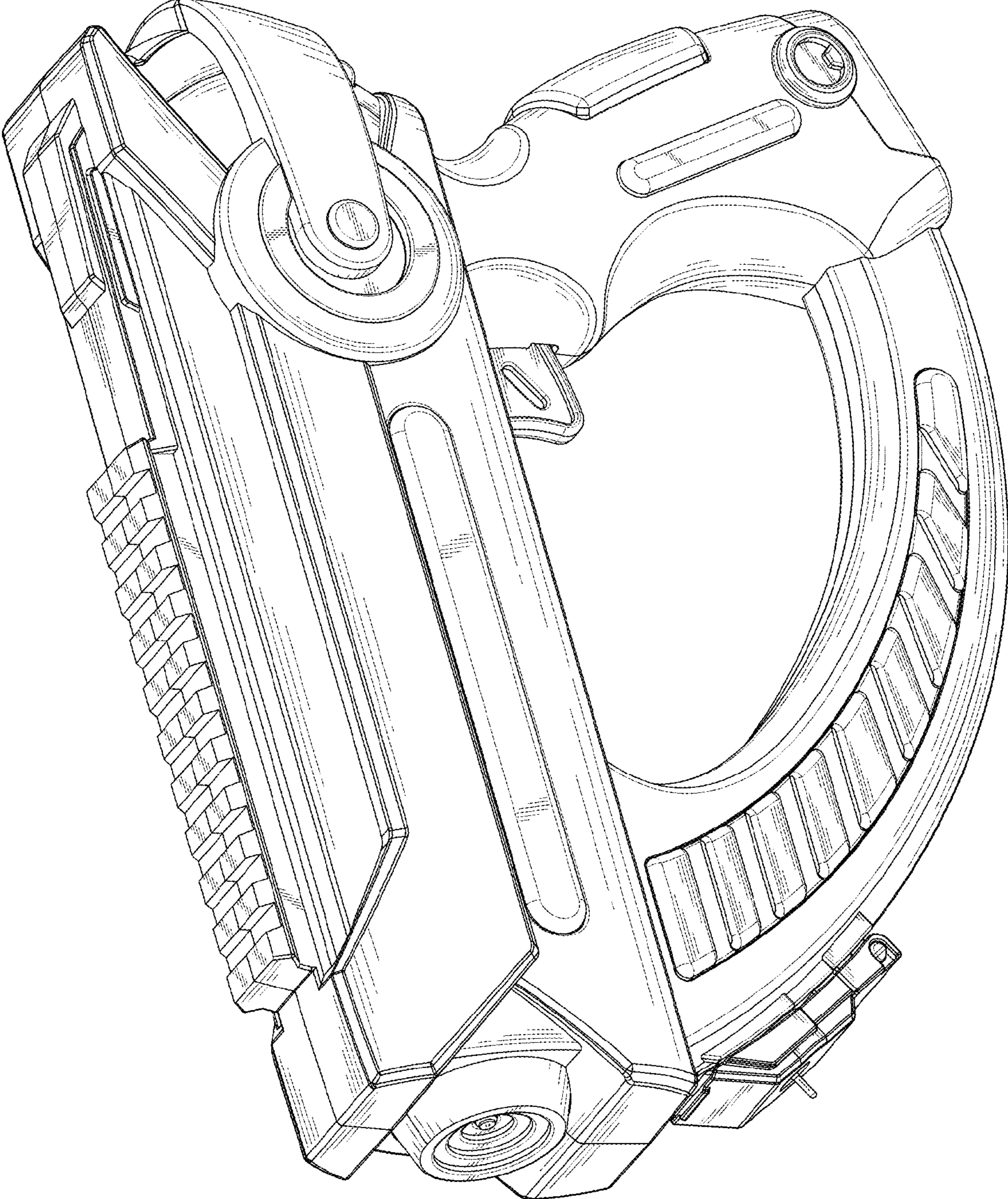


FIG. 1

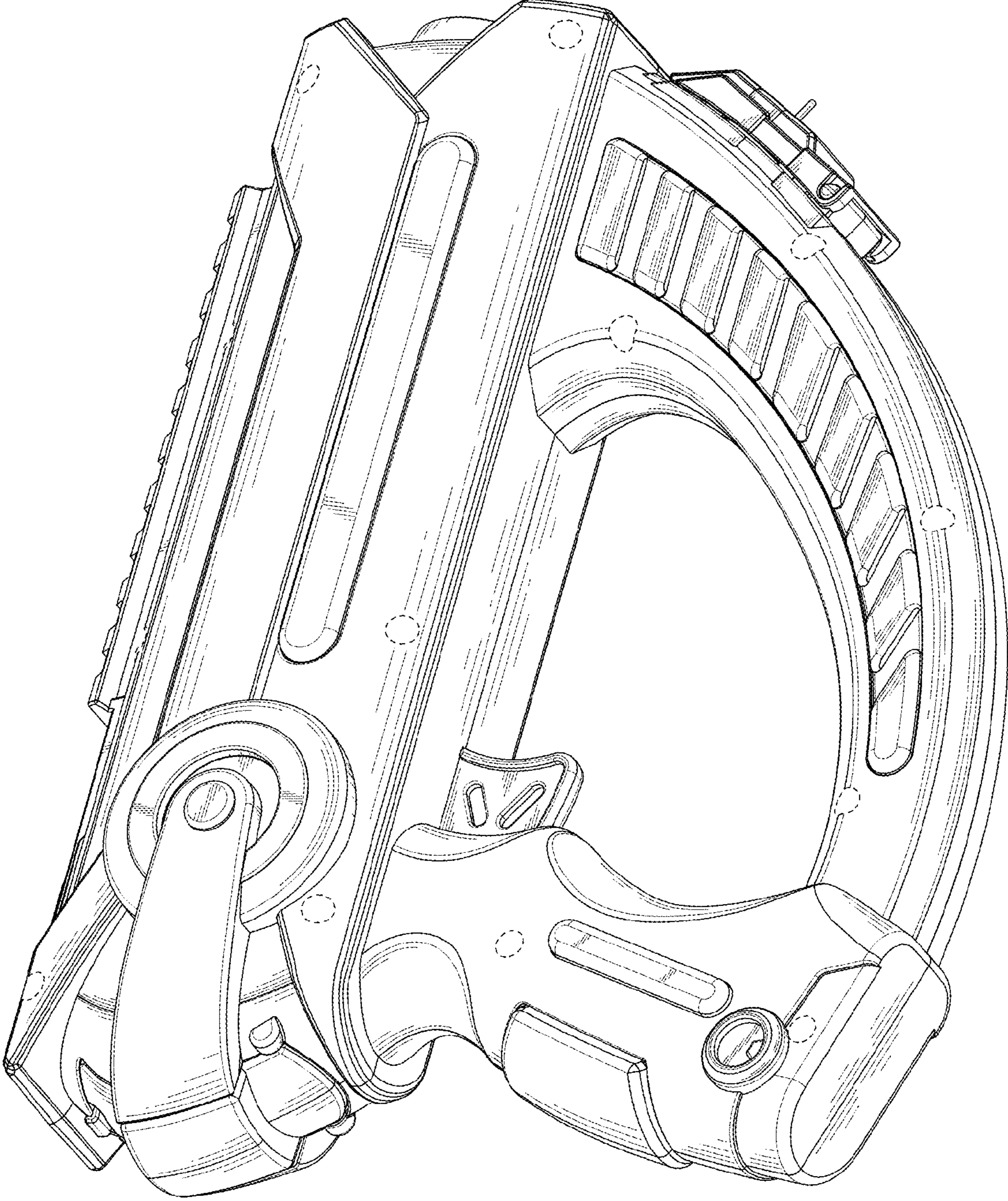


FIG. 2

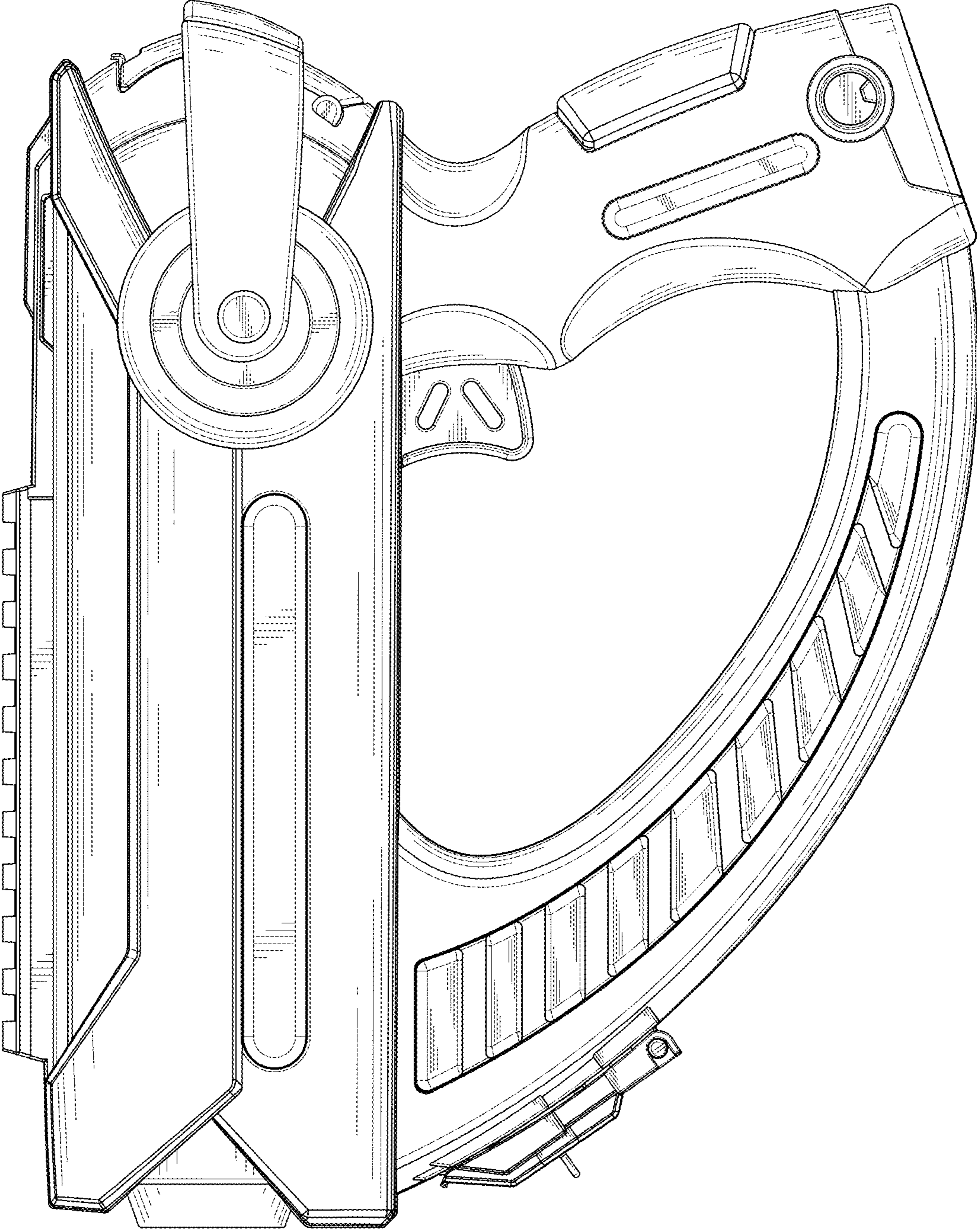


FIG. 3

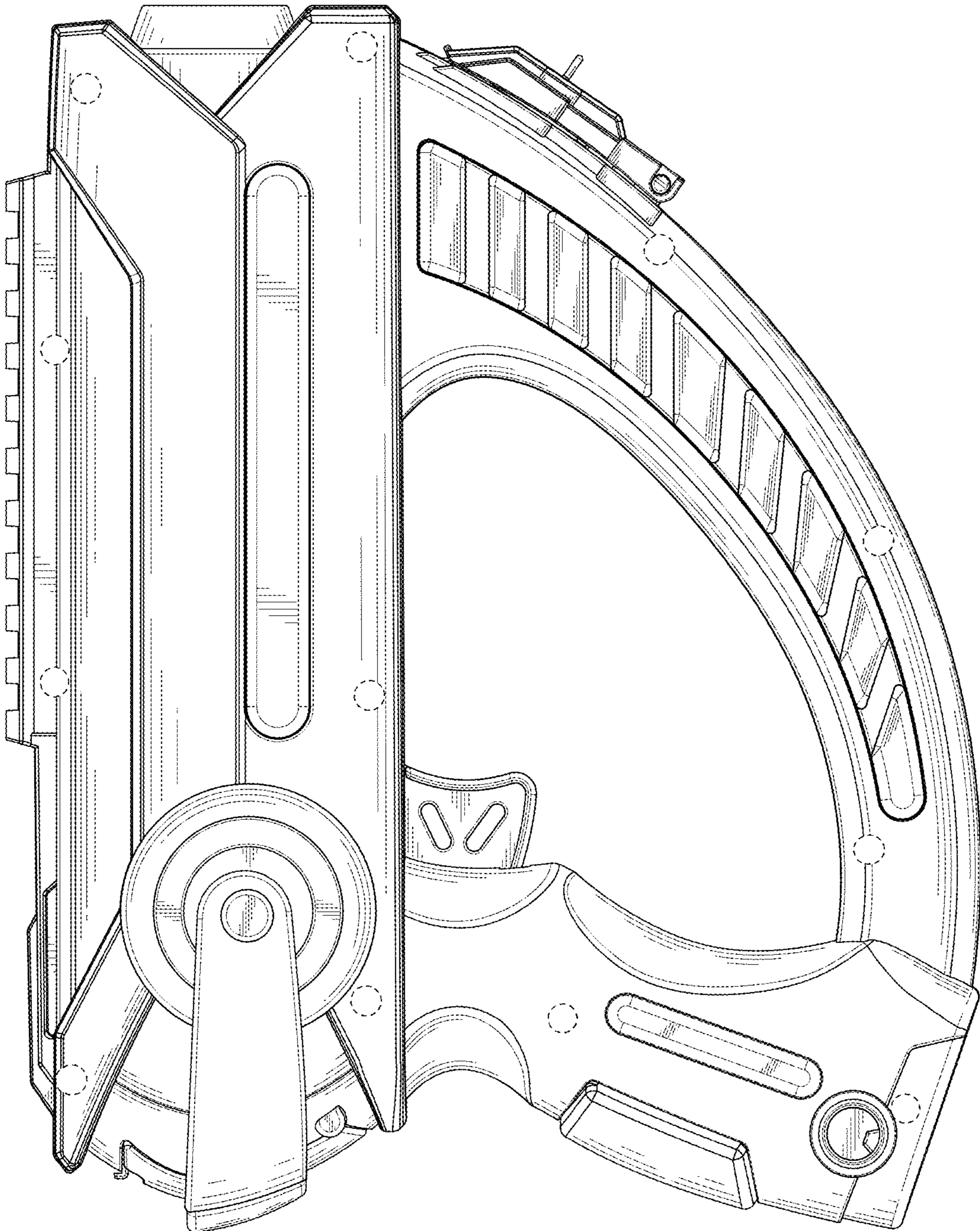


FIG. 4

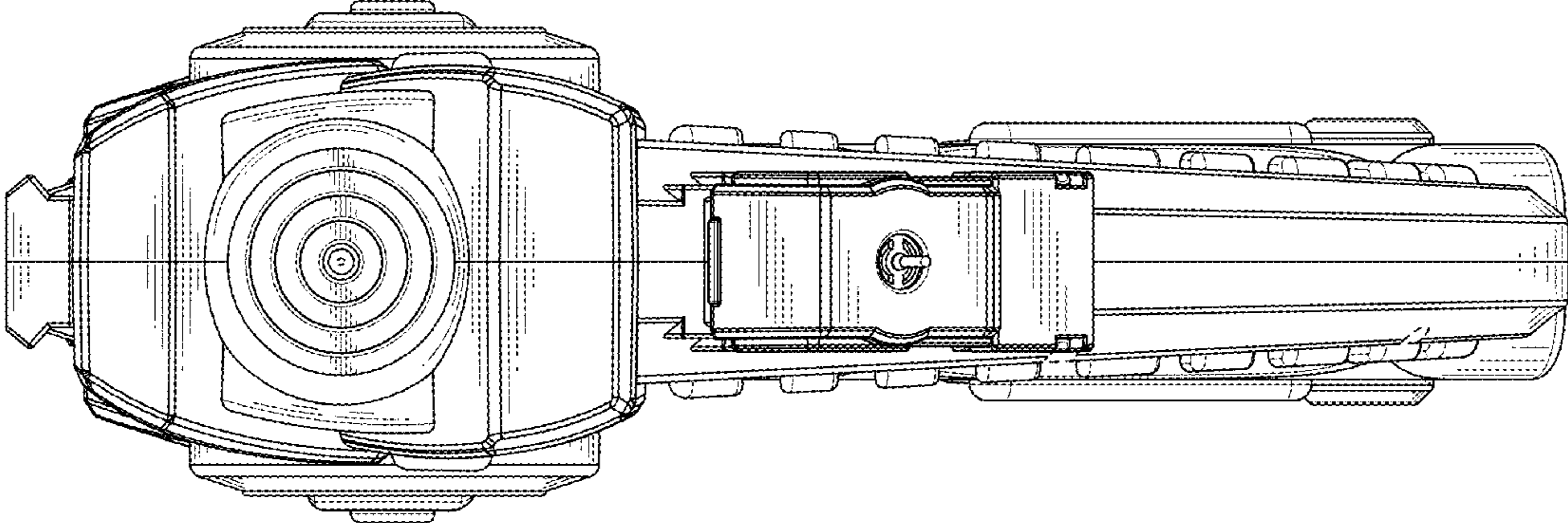


FIG. 5

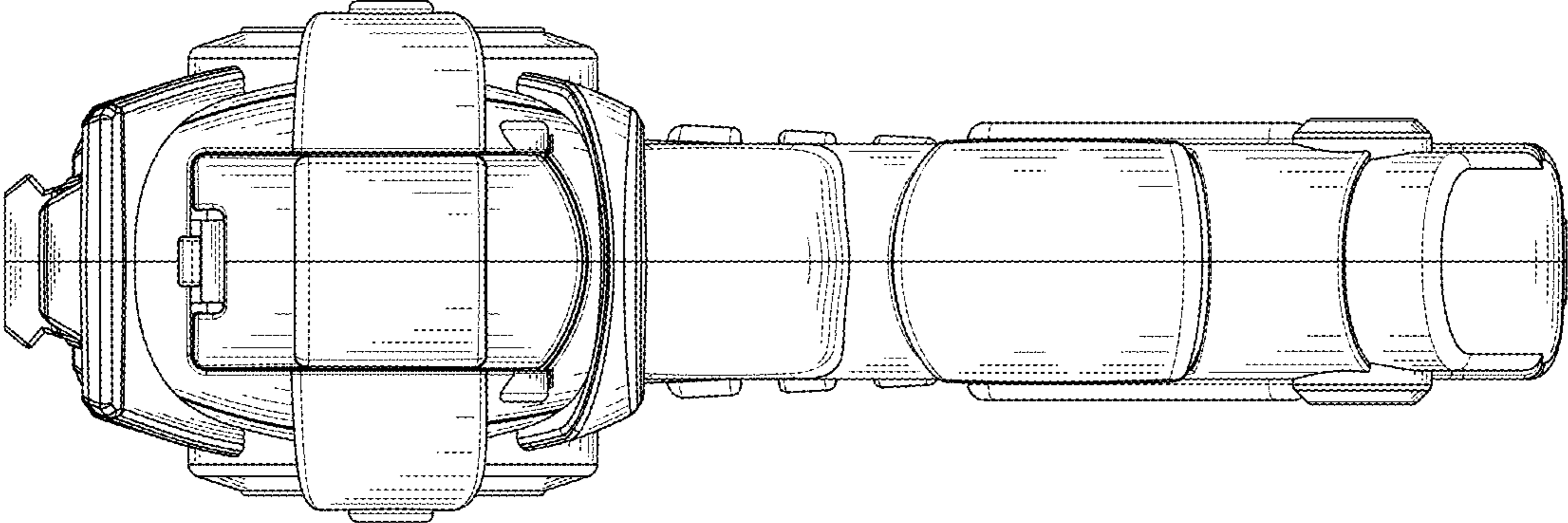


FIG. 6

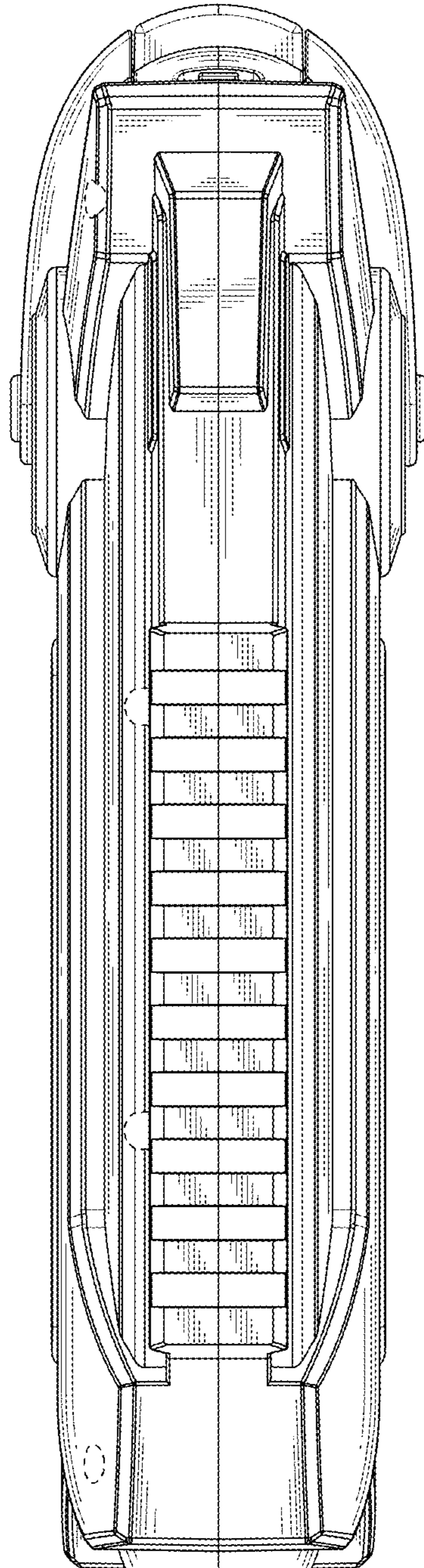


FIG. 7

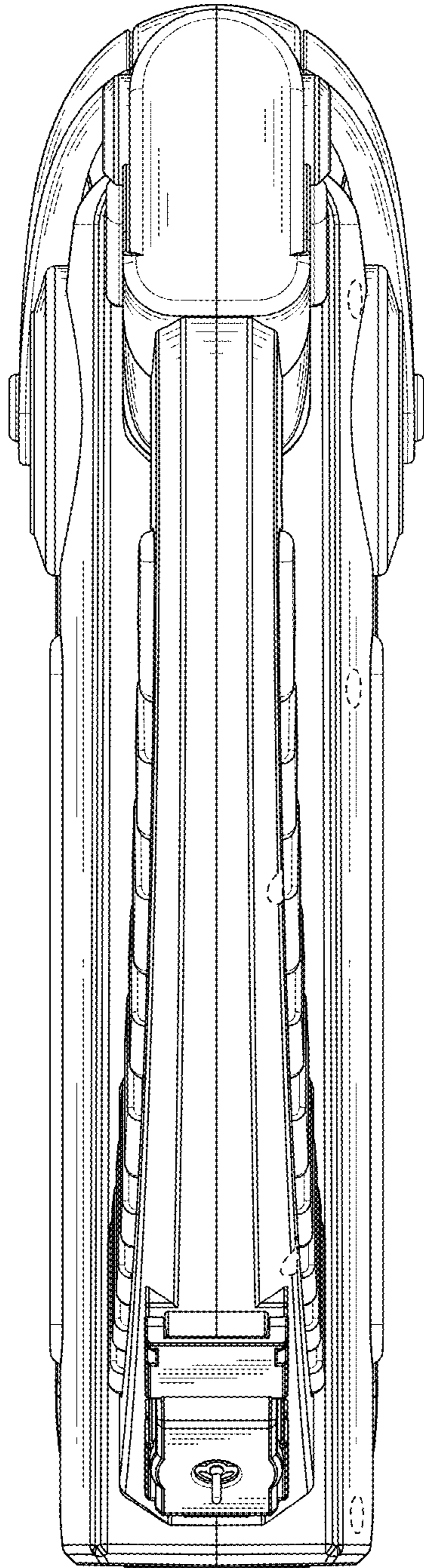


FIG. 8