



US00D985073S

(12) **United States Design Patent** (10) **Patent No.:** **US D985,073 S**  
**Xu** (45) **Date of Patent:** **\*\* May 2, 2023**

(54) **TOY TRUCK**

(71) Applicant: **Gengze Xu**, Shantou (CN)

(72) Inventor: **Gengze Xu**, Shantou (CN)

(\*\*) Term: **15 Years**

(21) Appl. No.: **29/790,460**

(22) Filed: **Nov. 29, 2021**

(30) **Foreign Application Priority Data**

Sep. 7, 2021 (CN) ..... 202130588316.8

(51) **LOC (14) Cl.** ..... **21-01**

(52) **U.S. Cl.**

USPC ..... **D21/552**

(58) **Field of Classification Search**

USPC ..... D21/433, 434, 533, 548, 552, 557, 558,  
D21/559, 560, 562

CPC ..... A63H 17/00; A63H 17/004; A63H 17/05;  
A63H 17/25; A63H 17/262

See application file for complete search history.

(56) **References Cited**

**U.S. PATENT DOCUMENTS**

5,102,367 A \* 4/1992 Mullaney ..... A63H 17/262  
446/448  
5,228,880 A \* 7/1993 Meyer ..... A63H 17/004  
180/7.1  
5,487,692 A \* 1/1996 Mowrer ..... A63H 17/262  
446/448  
D534,593 S \* 1/2007 Yuen ..... D21/562  
D567,885 S 4/2008 Amadio et al.  
D678,425 S 3/2013 Foster

D802,685 S \* 11/2017 Barajas ..... D21/562  
D835,213 S 12/2018 Schmitt  
D939,638 S \* 12/2021 Chen ..... D21/548  
D940,253 S \* 1/2022 Bao ..... D21/533  
D941,400 S \* 1/2022 Xu ..... D21/533  
D946,470 S \* 3/2022 Harbour ..... D21/562  
D967,288 S \* 10/2022 Li ..... D21/550  
D970,648 S \* 11/2022 Liu ..... D21/550  
D972,656 S \* 12/2022 Chen ..... D21/552  
D975,204 S \* 1/2023 Xu ..... D21/549  
2017/0080350 A1 \* 3/2017 Allmendinger ..... A63H 30/04

\* cited by examiner

*Primary Examiner* — Cynthia M. Chin

(74) *Attorney, Agent, or Firm* — Rumit Ranjit Kanakia

(57) **CLAIM**

The ornamental design for a toy truck, as shown and described.

**DESCRIPTION**

FIG. 1 is a first perspective view of a toy truck showing my new design;

FIG. 2 is a second perspective view thereof;

FIG. 3 is a front view thereof;

FIG. 4 is a back view thereof;

FIG. 5 is a left side view thereof;

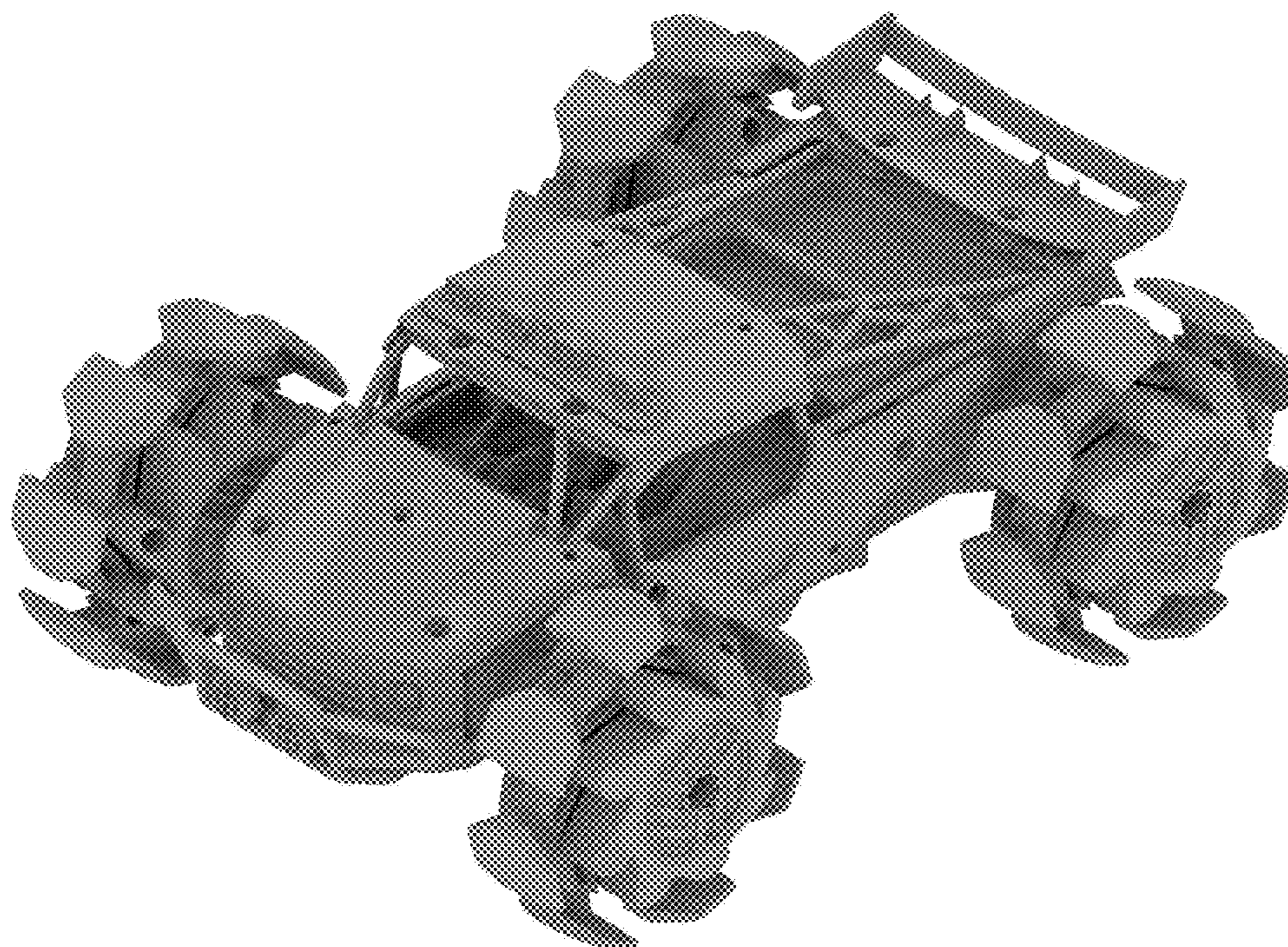
FIG. 6 is a right side view thereof;

FIG. 7 is a top view thereof; and,

FIG. 8 is a bottom view thereof.

The broken lines are for the purpose of illustrating portions of the article that form no part of the claimed design.

**1 Claim, 8 Drawing Sheets**



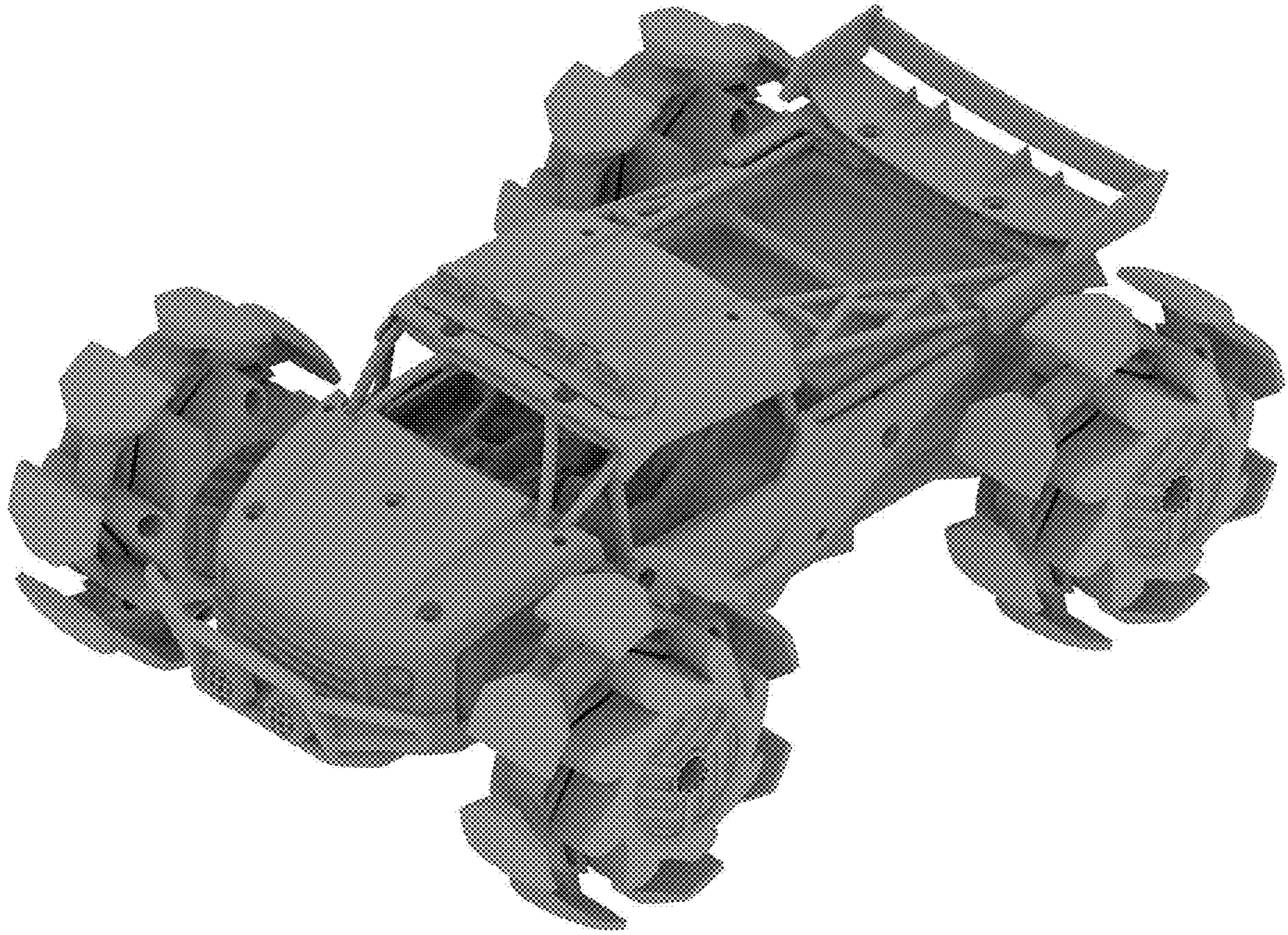


FIG. 1

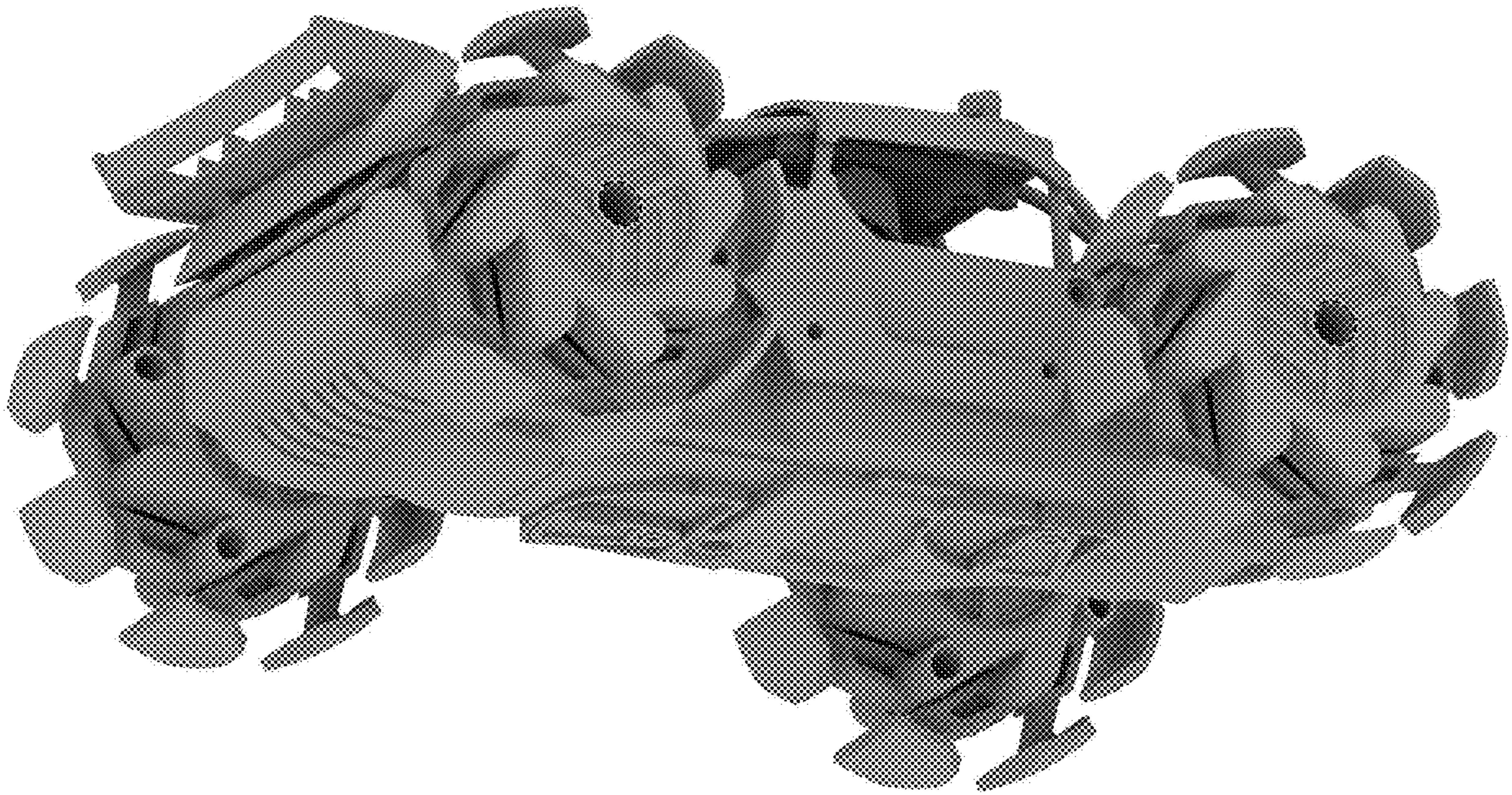


FIG. 2

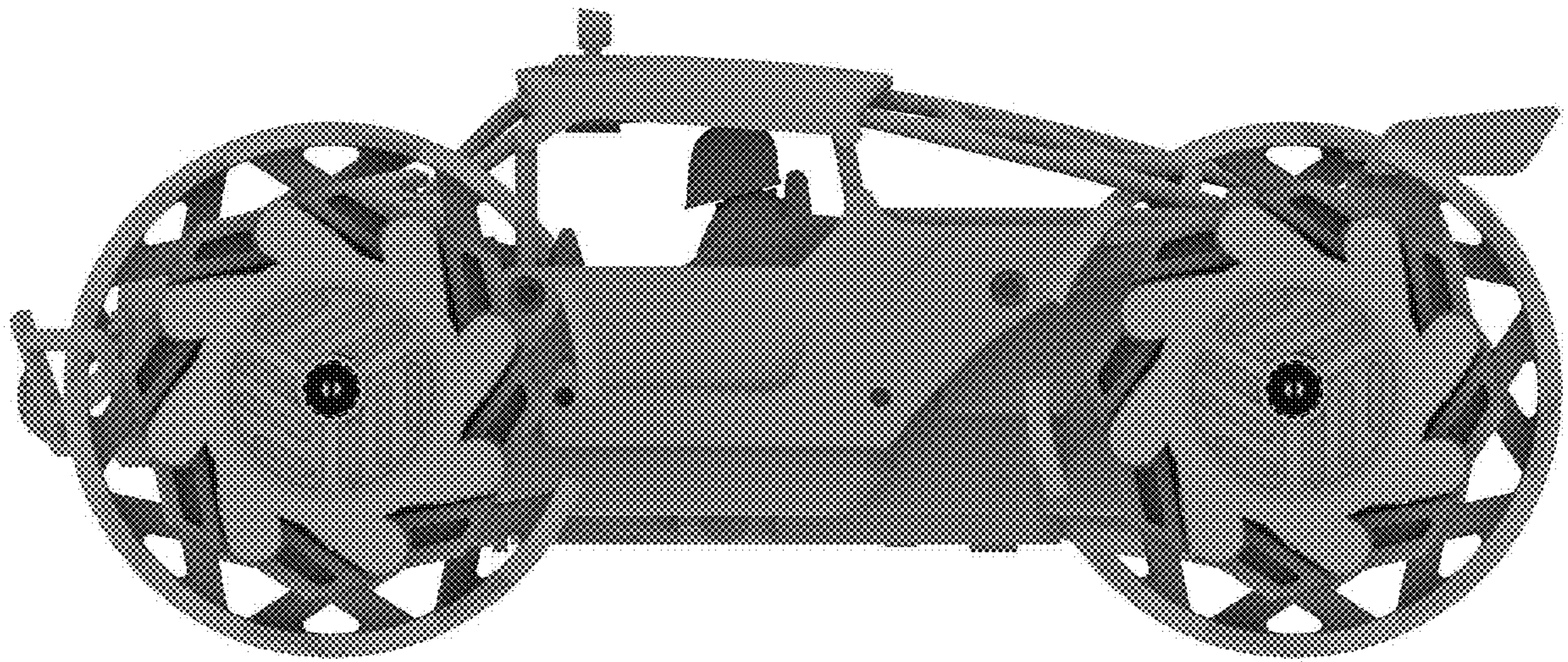


FIG. 3

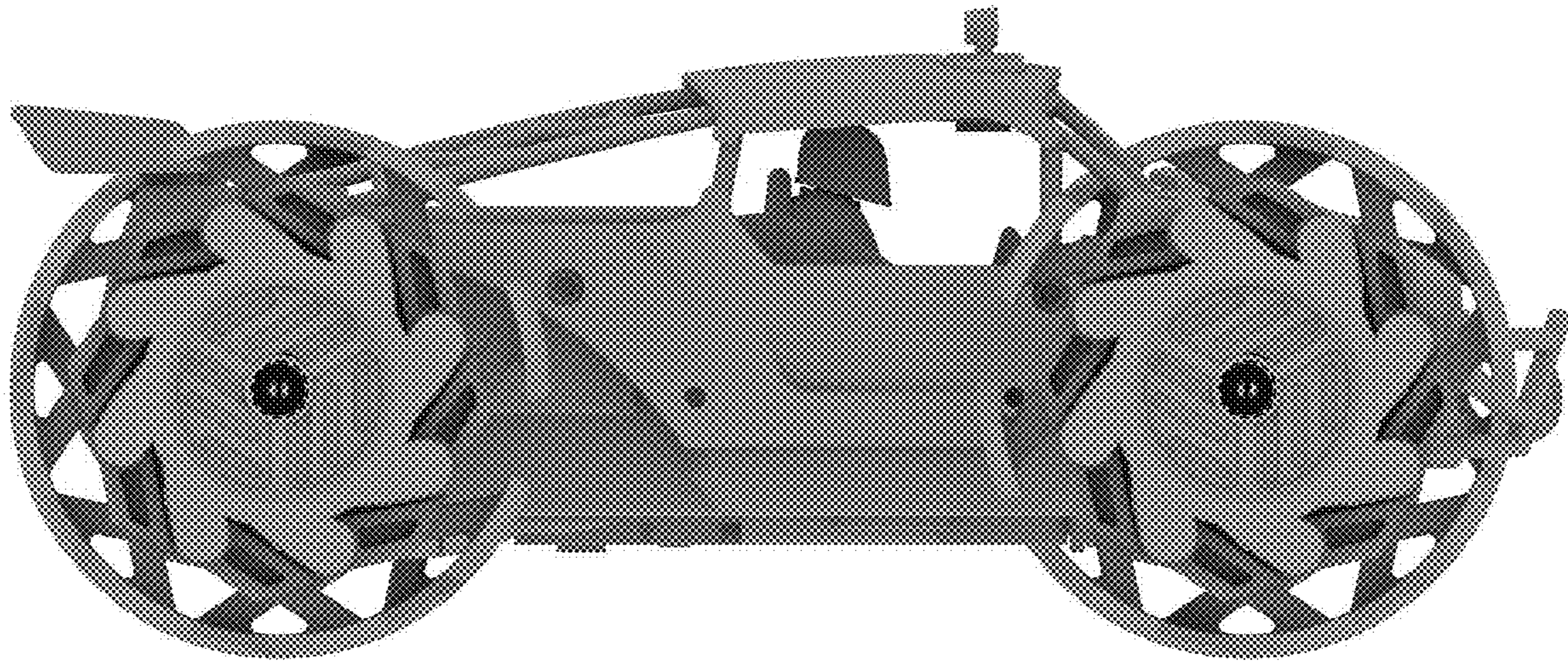


FIG. 4

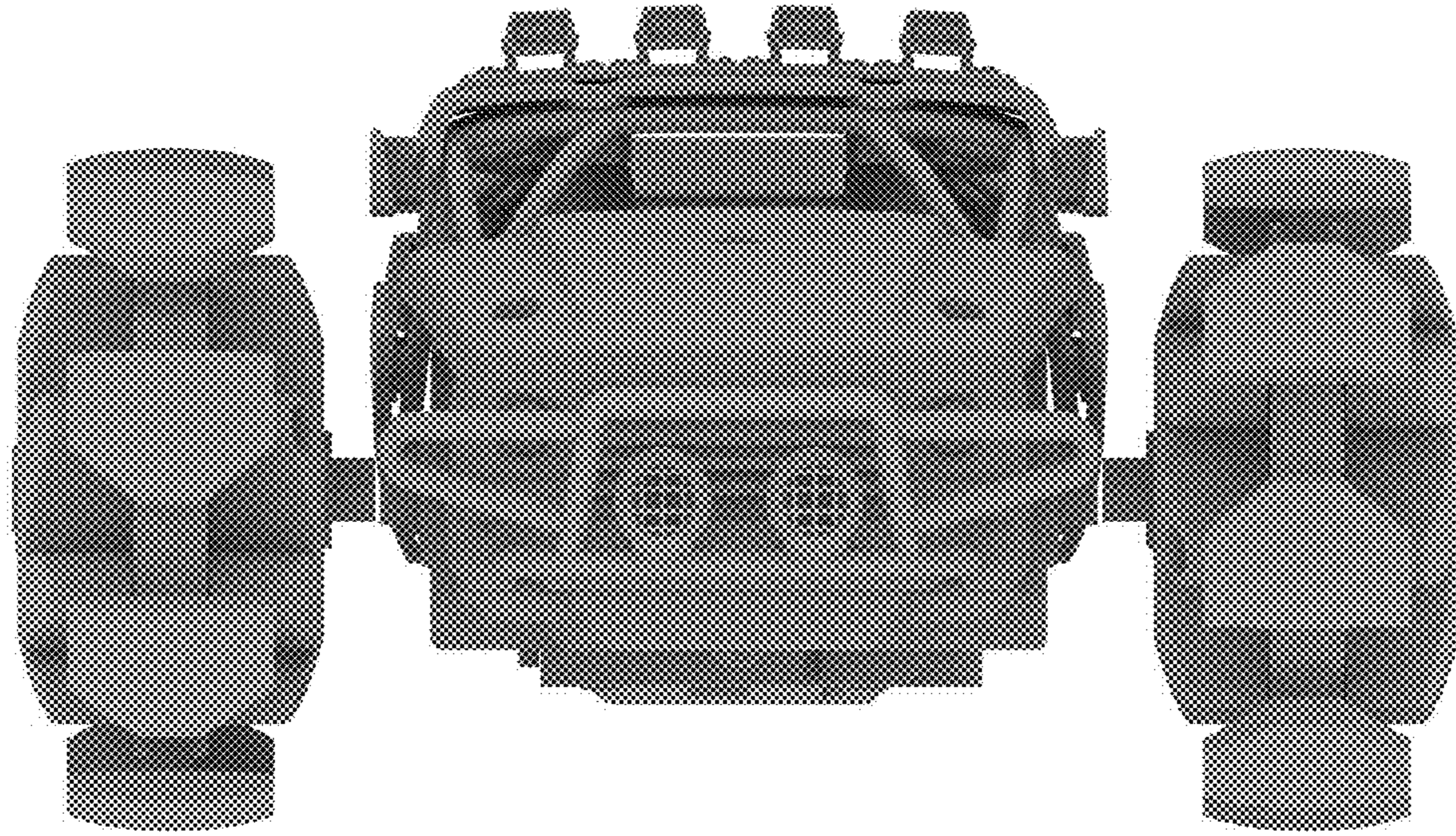


FIG. 5

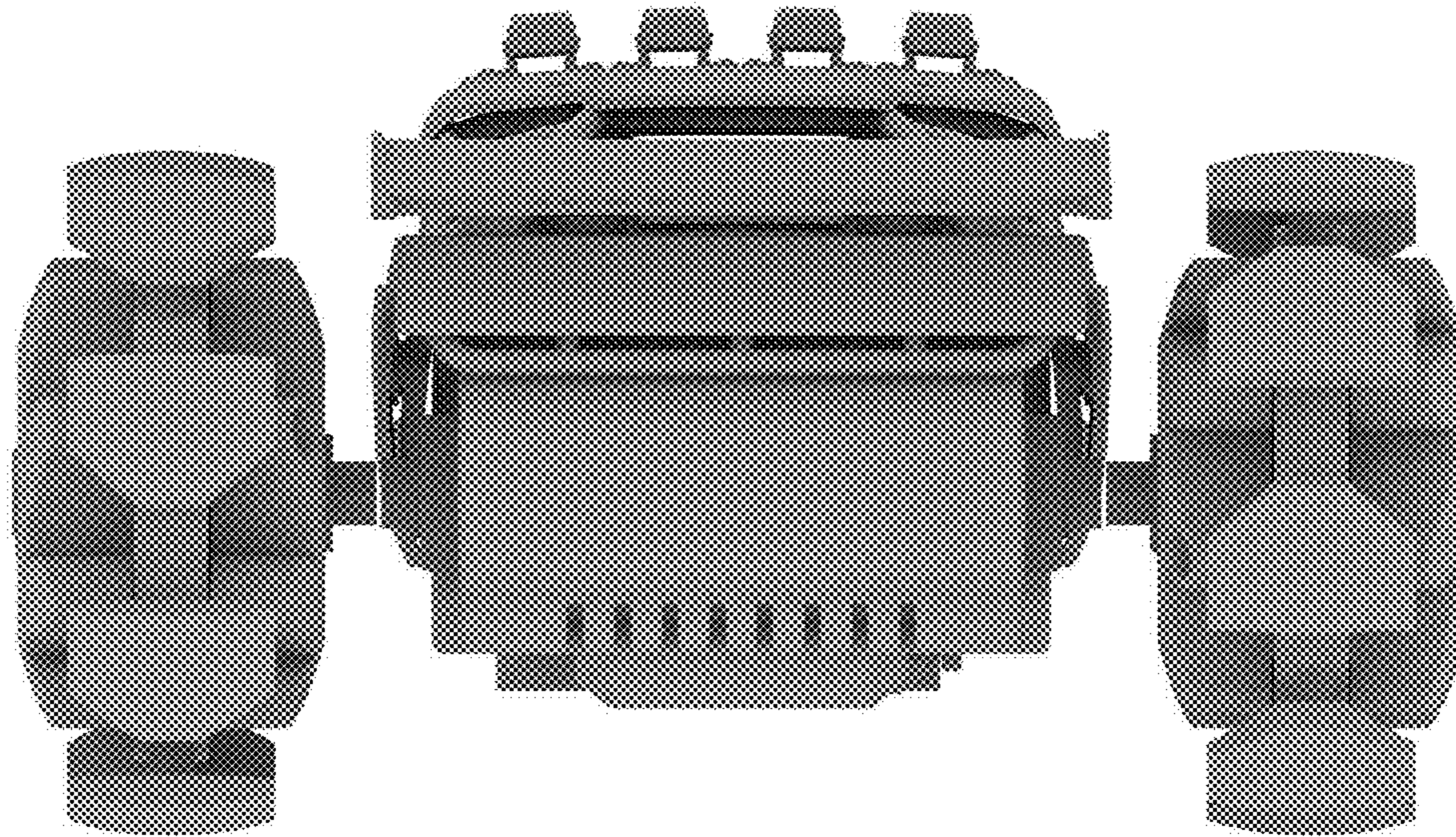


FIG. 6

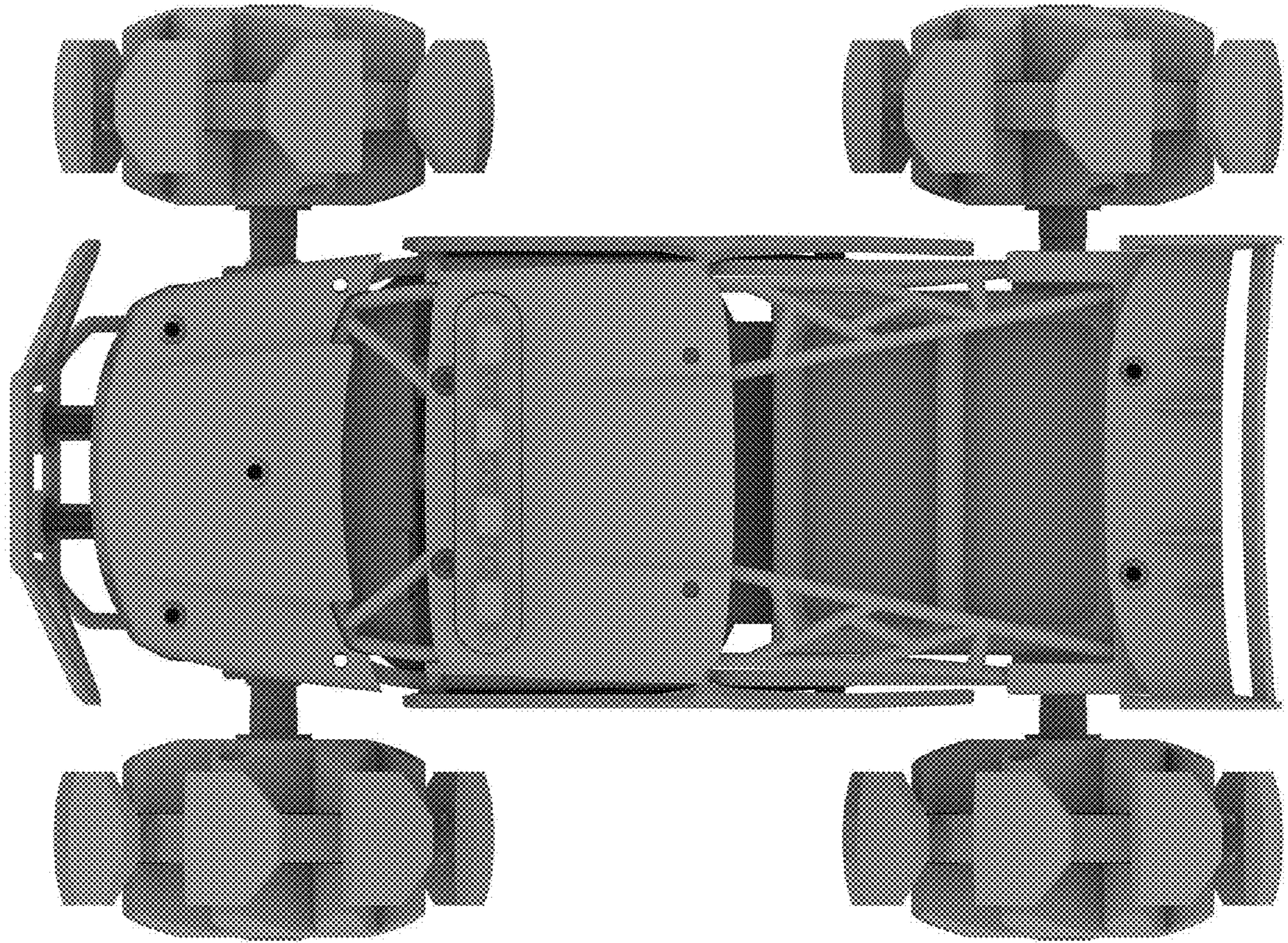


FIG. 7



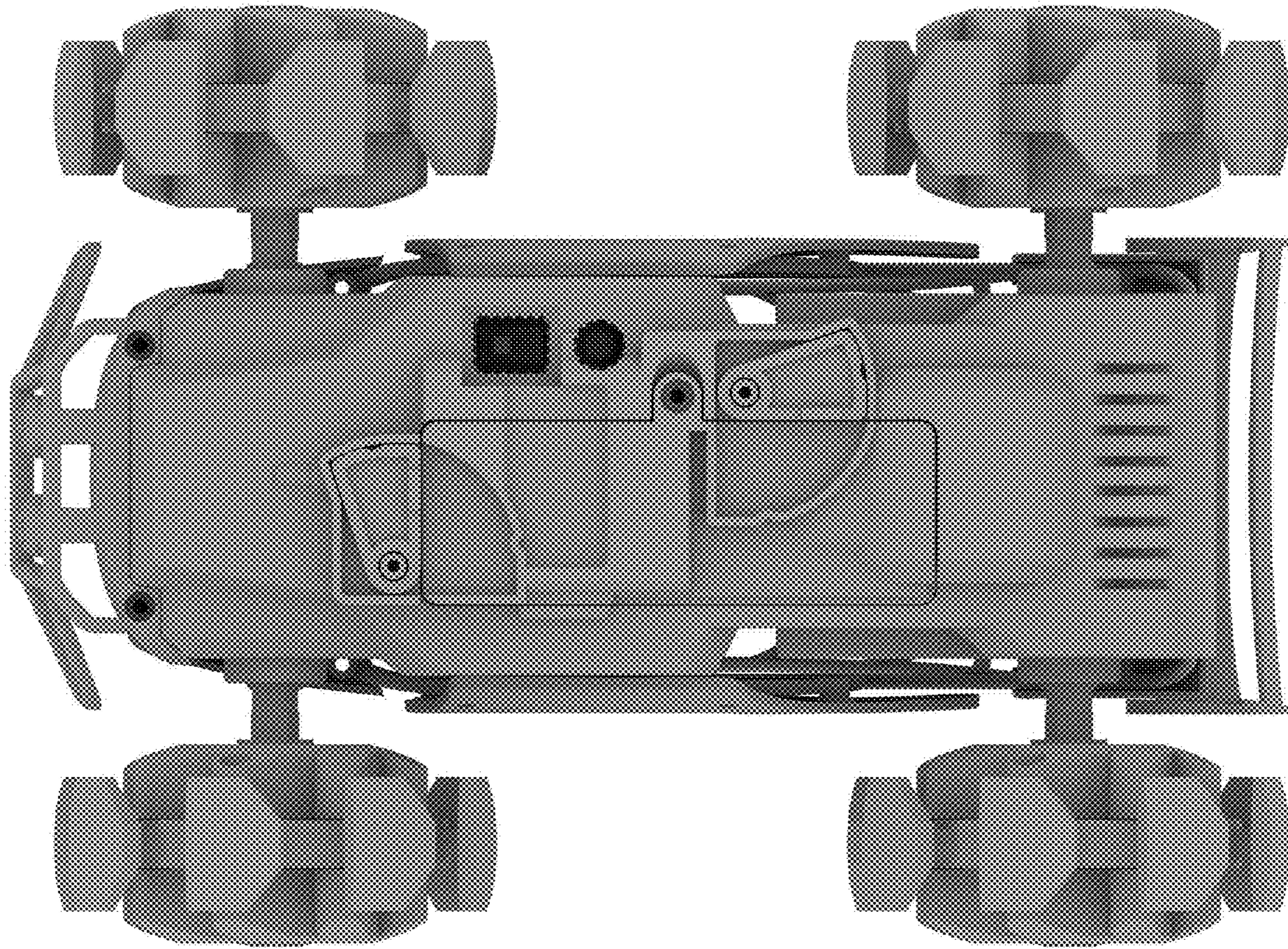


FIG. 8