



US00D985072S

(12) **United States Design Patent**
Hu

(10) **Patent No.:** **US D985,072 S**
(45) **Date of Patent:** **** May 2, 2023**

(54) **TOY CAR**

(71) Applicant: **Xiaohui Hu**, Nanyang (CN)

(72) Inventor: **Xiaohui Hu**, Nanyang (CN)

(**) Term: **15 Years**

(21) Appl. No.: **29/773,834**

(22) Filed: **Mar. 11, 2021**

(51) **LOC (14) Cl.** **21-01**

(52) **U.S. Cl.**
USPC **D21/548**; D21/549; D21/533

(58) **Field of Classification Search**
USPC D21/552, 549, 548, 495, 533, 554, 559,
D21/434, 424; D12/82, 93, 95, 83, 84,
D12/92, 87, 12; D19/144, 137, 97
CPC A63H 17/00; A63H 17/004; A63H 17/045
See application file for complete search history.

(56) **References Cited**

U.S. PATENT DOCUMENTS

5,259,808	A	*	11/1993	Garr	A63H 17/004
						446/469
D579,824	S	*	11/2008	Pandey	D12/91
D782,935	S	*	4/2017	Knox	D12/87
D871,512	S	*	12/2019	Cai	D21/550
D897,453	S	*	9/2020	Zhang	D21/550
D930,760	S	*	9/2021	Ewing	D21/562
D936,757	S	*	11/2021	Cai	D21/550
D952,054	S	*	5/2022	Xu	D21/552

FOREIGN PATENT DOCUMENTS

CN 302322638 * 2/2013

OTHER PUBLICATIONS

Amazon Website, Remote Control Car, Earliest comment date: Jul. 19, 2021, [Website Visited on Oct. 13, 2022], Available on the

internet URL <https://www.amazon.com/DEERC-DE43-Remote-Control-Car/dp/B092VVQ45R/> (Year: 2021).*
Amazon Website, Remote Control Car, Earliest comment date: Dec. 31, 2021, [Website Visited on Oct. 13, 2022], Available on the internet URL <https://www.amazon.com/dp/B09G1L76ZT/> (Year: 2021).*

* cited by examiner

Primary Examiner — S. Bryan Reinholdt, Jr.
Assistant Examiner — James T Tyree
(74) *Attorney, Agent, or Firm* — Daniel M. Cohn;
Howard M. Cohn

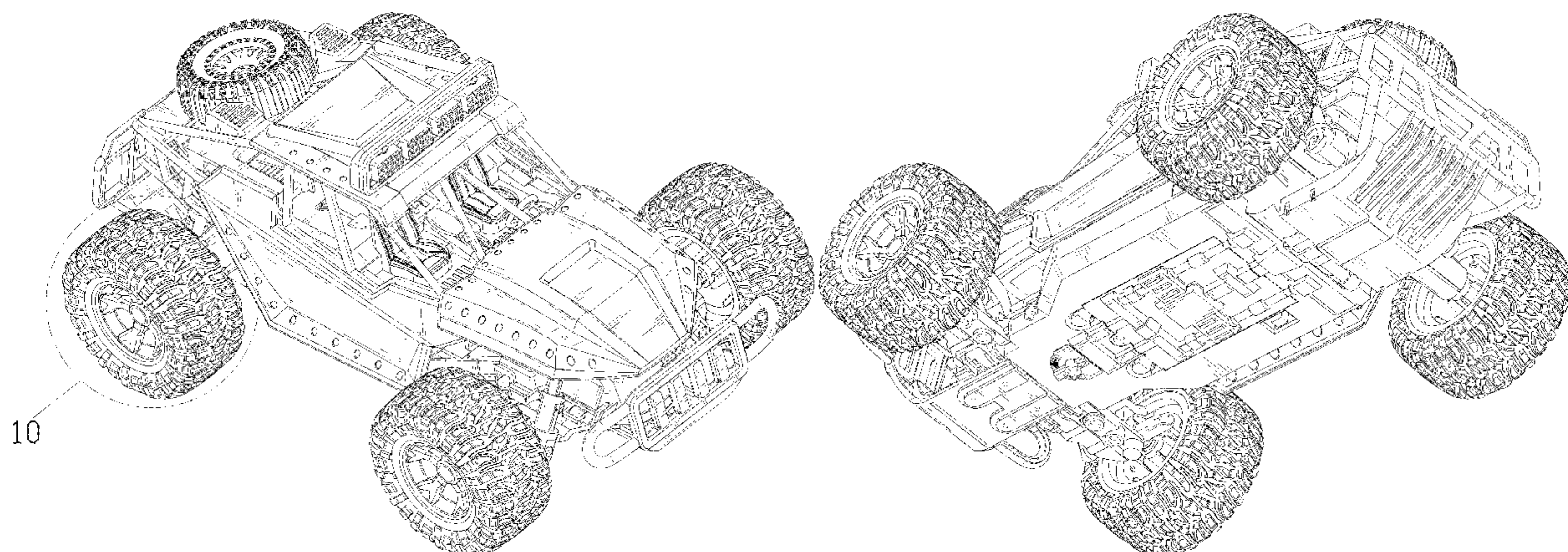
(57) **CLAIM**

The ornamental design for a toy car, as shown and described.

DESCRIPTION

FIG. 1 is a perspective view of a toy car showing my new design;
FIG. 2 is another perspective view thereof;
FIG. 3 is another perspective view thereof;
FIG. 4 is a front elevational view thereof;
FIG. 5 is a rear elevational view thereof;
FIG. 6 is a left side elevational view thereof;
FIG. 7 is a right side elevational view thereof;
FIG. 8 is a top plan view thereof;
FIG. 9 is a bottom plan view thereof;
FIG. 10 is an enlarged view of portion 10 shown in FIG. 1; and,
FIG. 11 is an enlarged view of portion 11 shown in FIG. 3. The evenly spaced broken lines depict portions of the toy car that form no part of the claimed design. The dot dash broken lines depict the boundaries of the detailed enlargements that form no part of the claimed design.

1 Claim, 11 Drawing Sheets



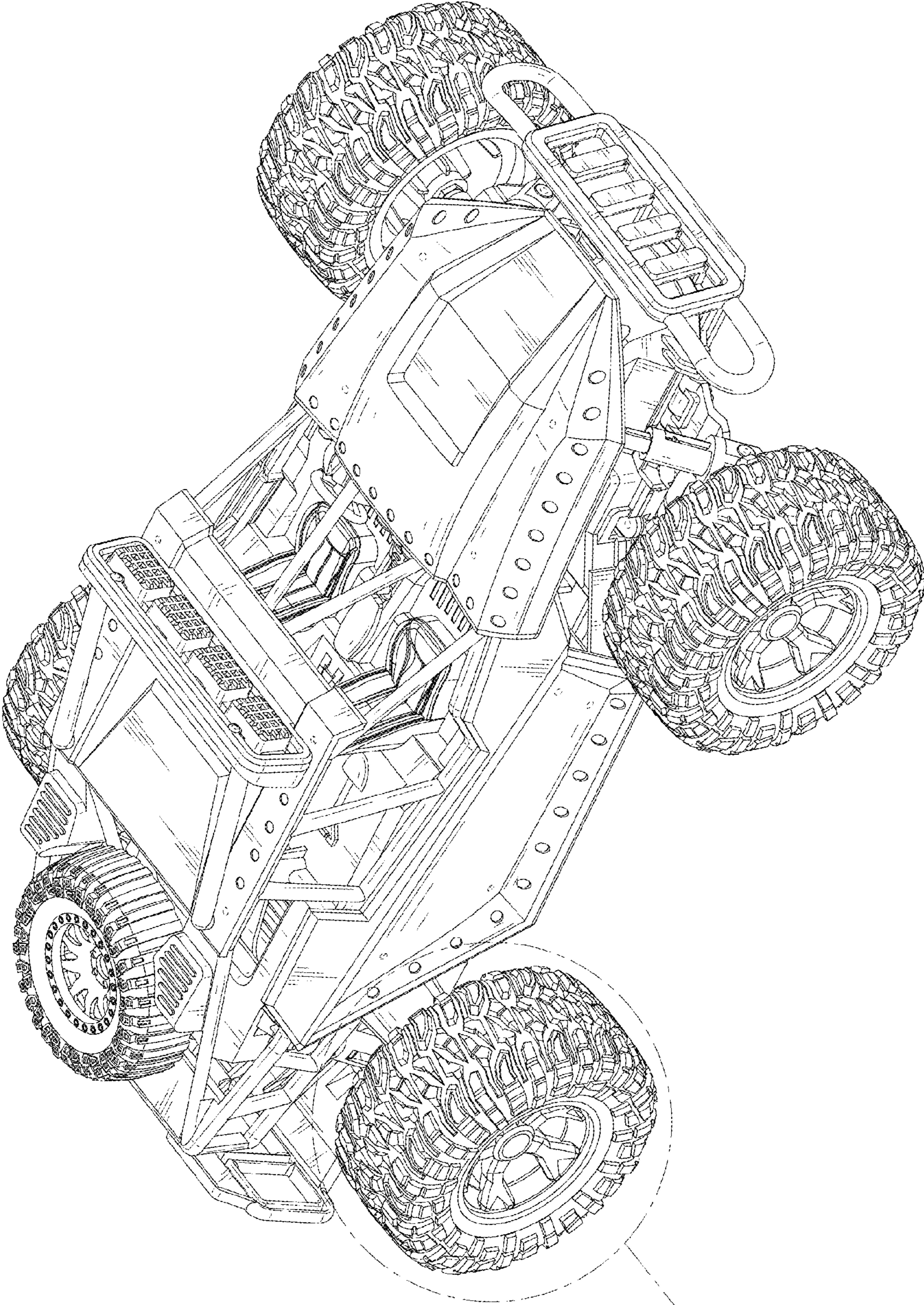


FIG. 1

10

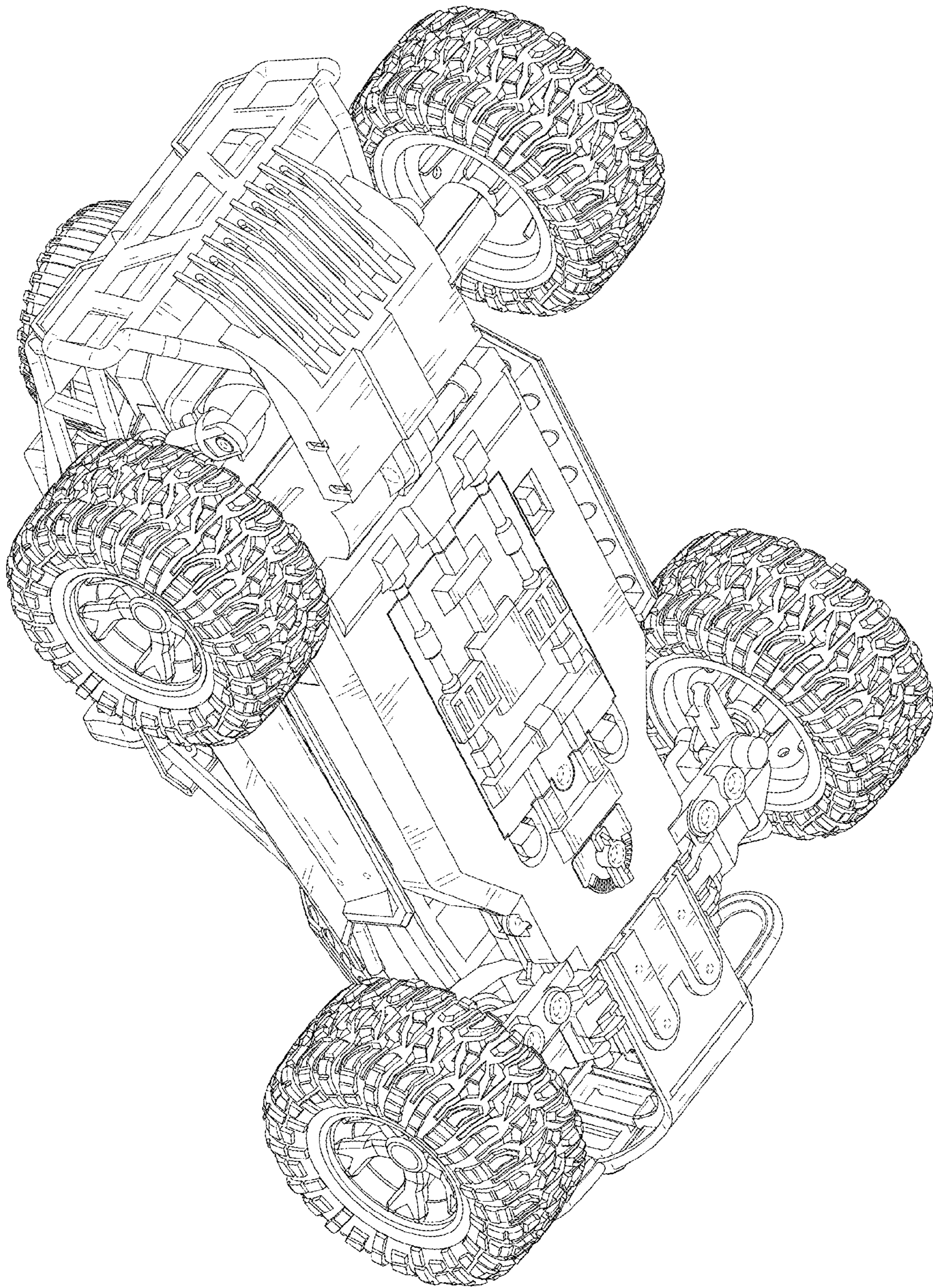


FIG. 2

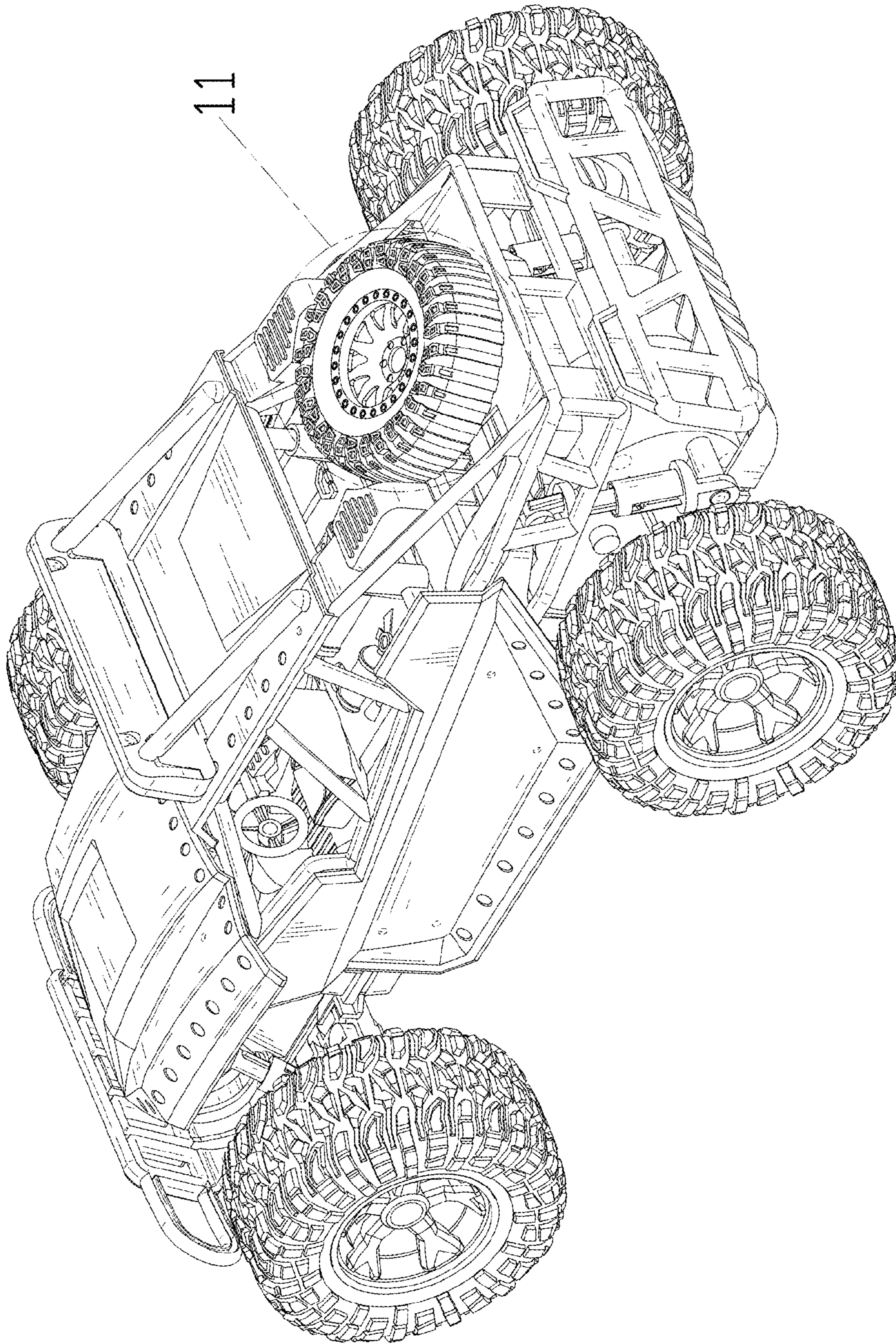


FIG. 3

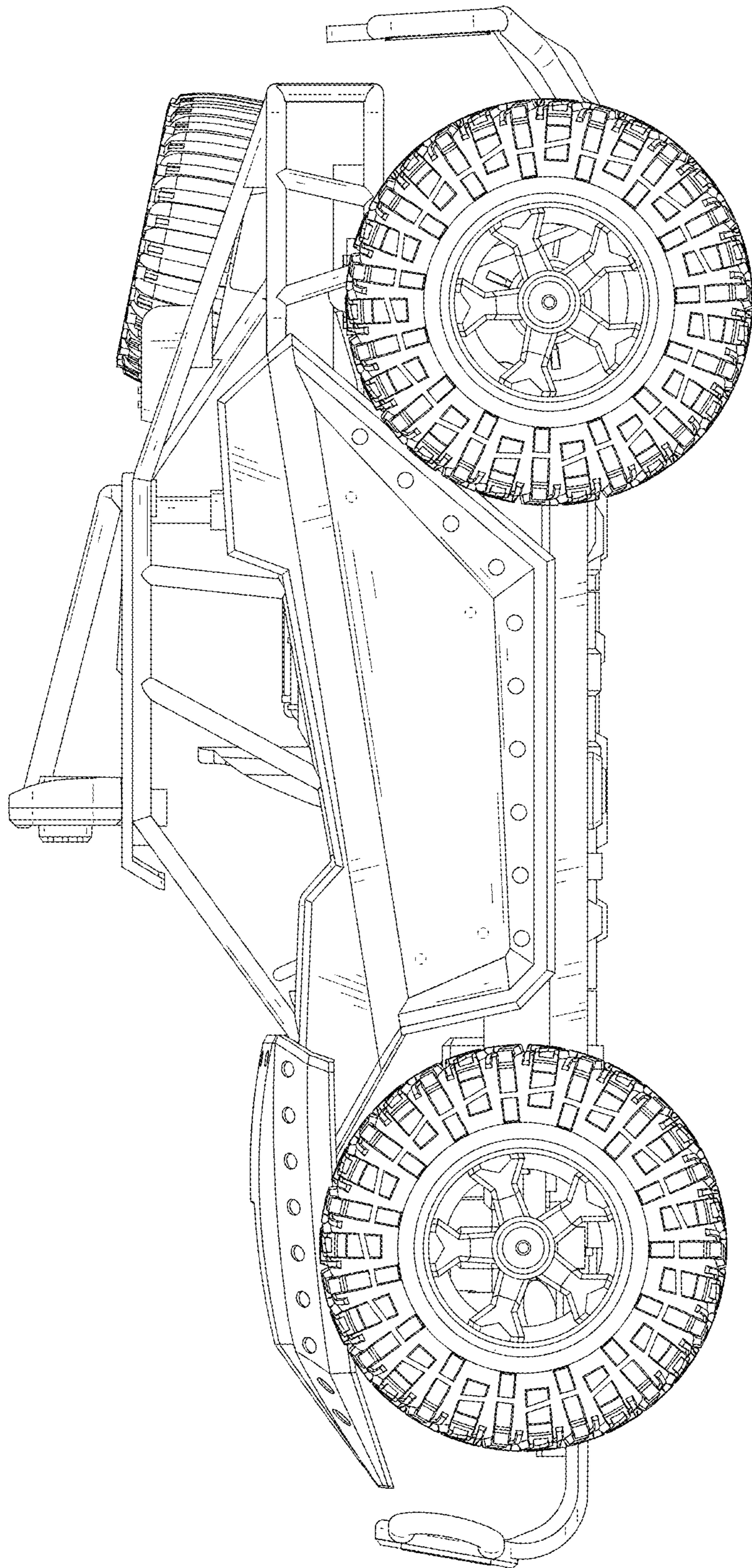


FIG. 4

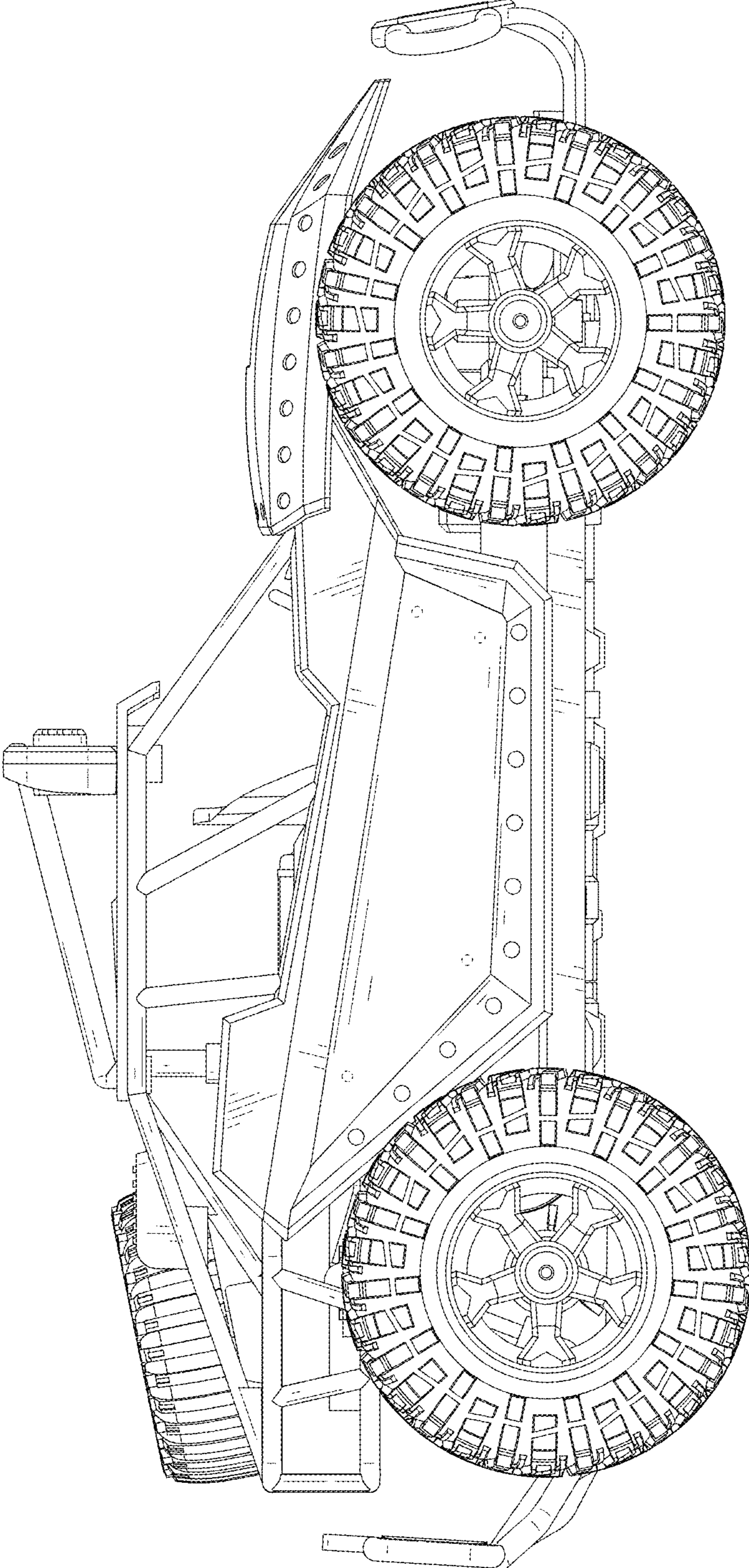


FIG. 5

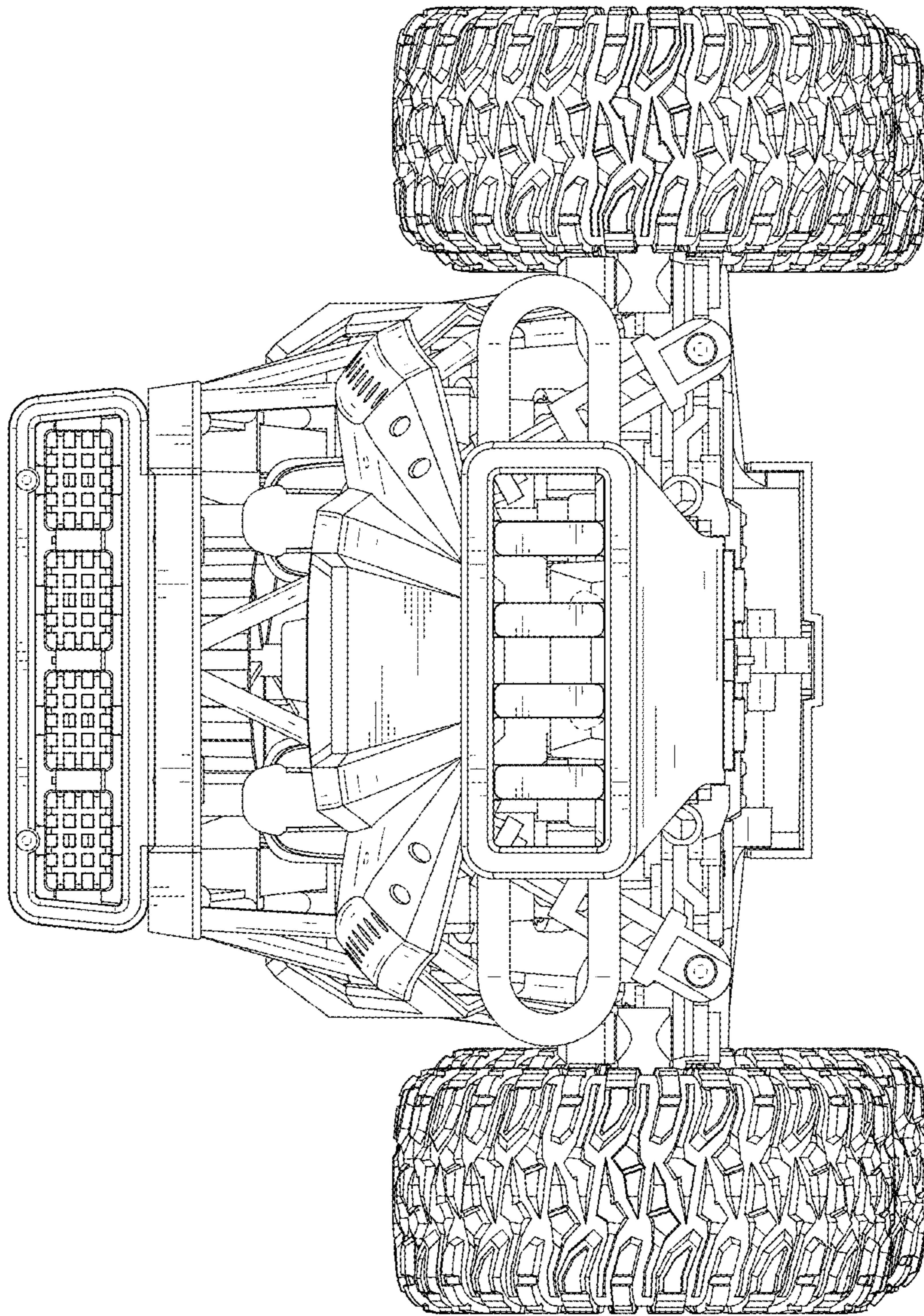


FIG. 6

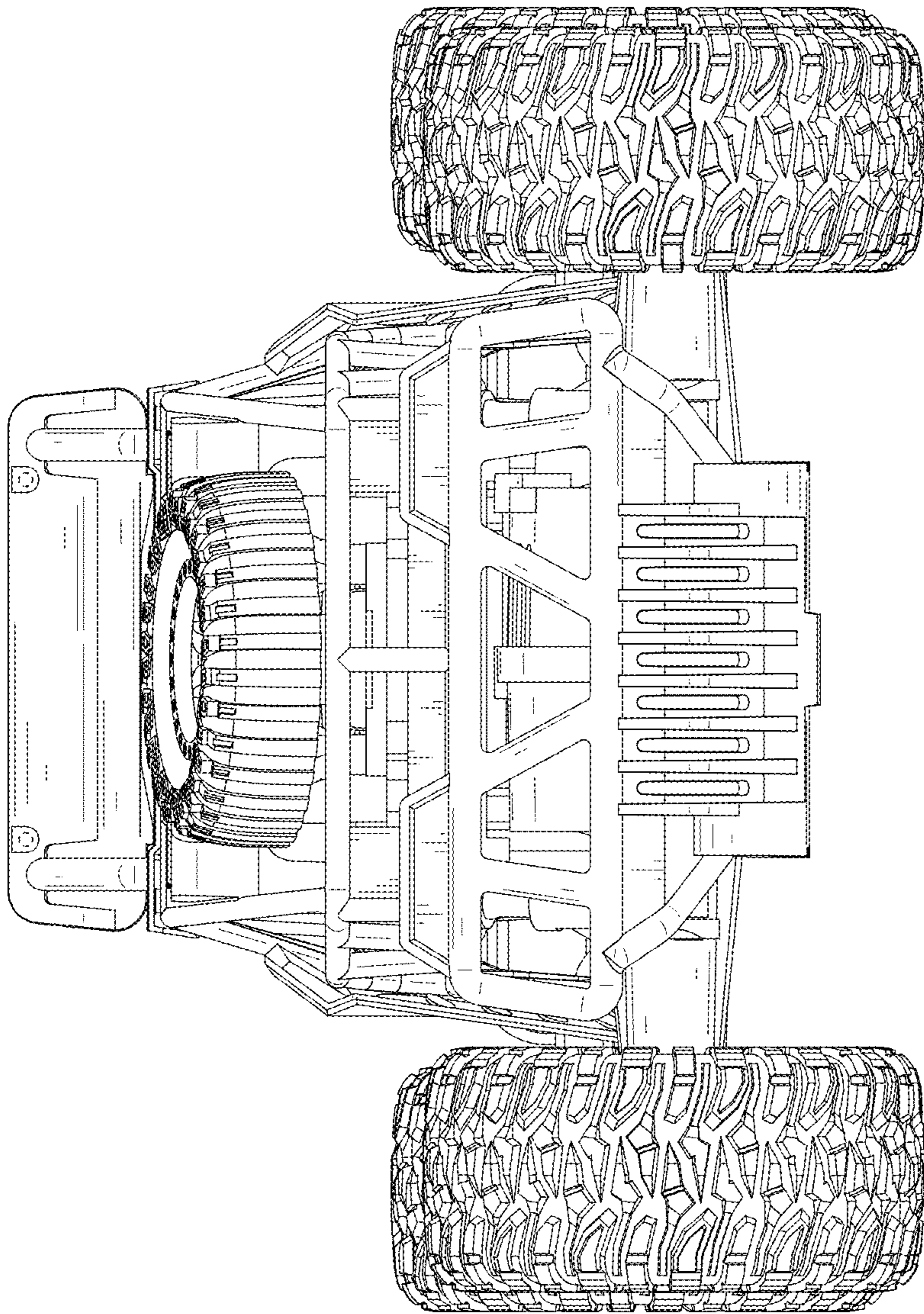


FIG. 7

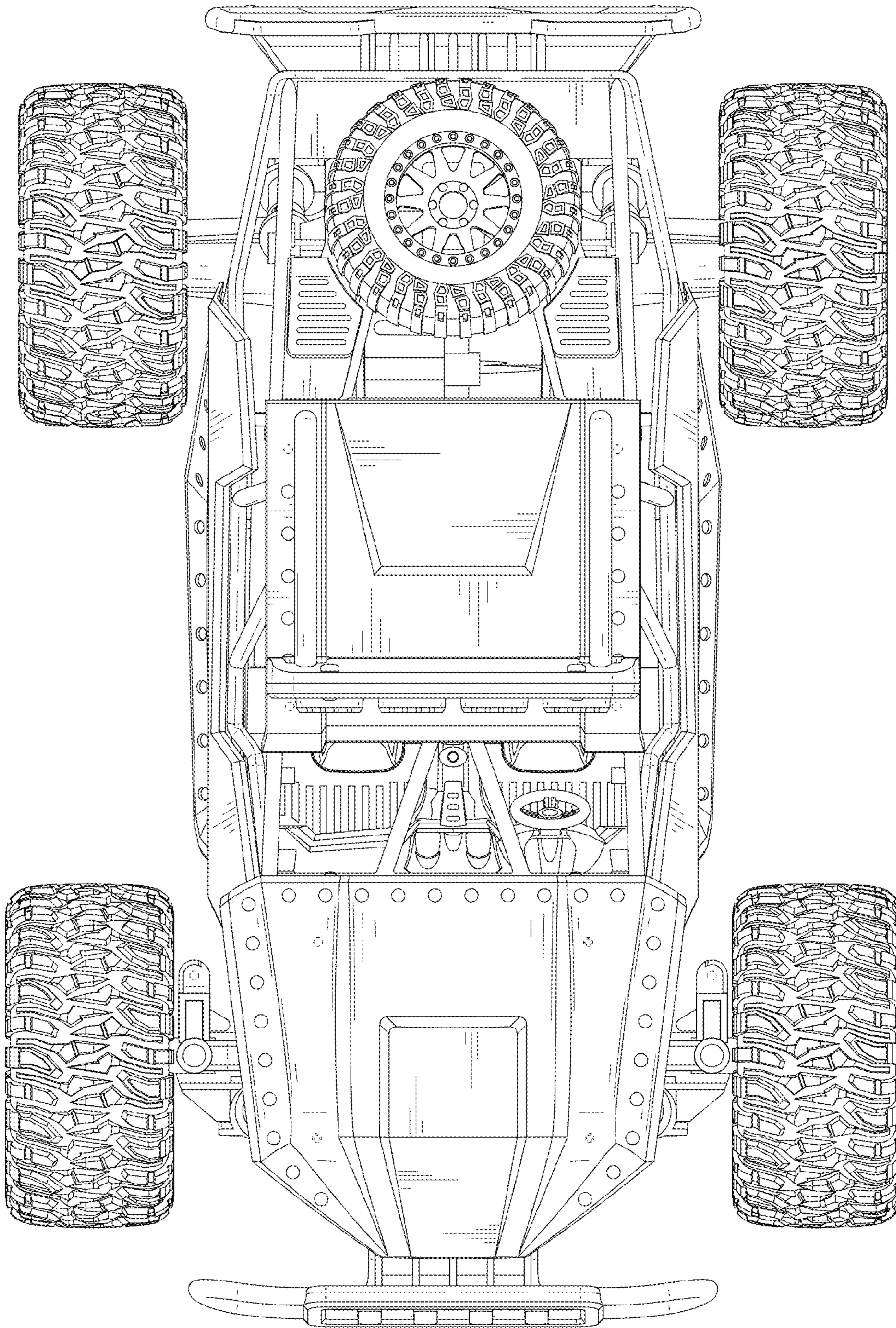


FIG. 8

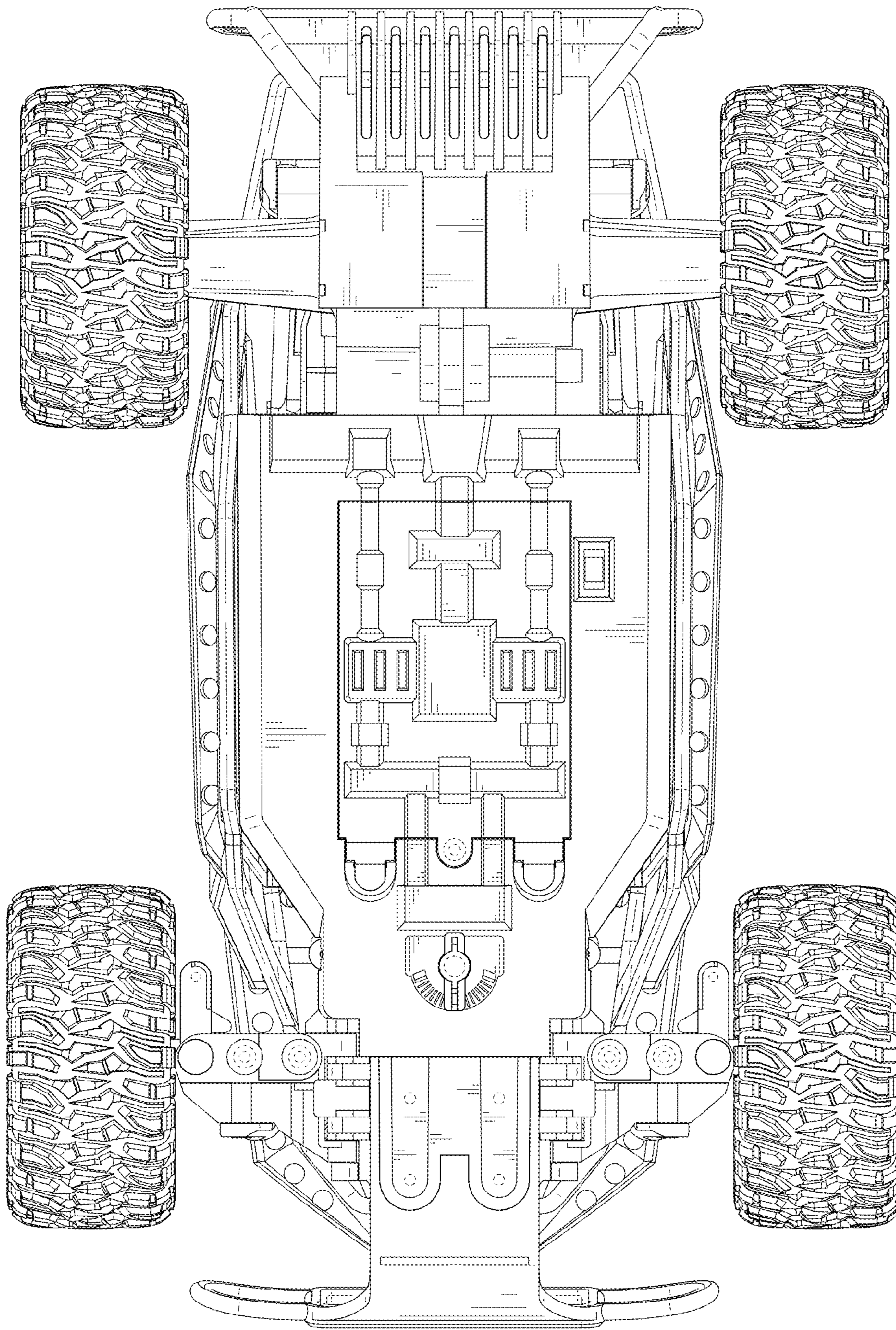


FIG. 9

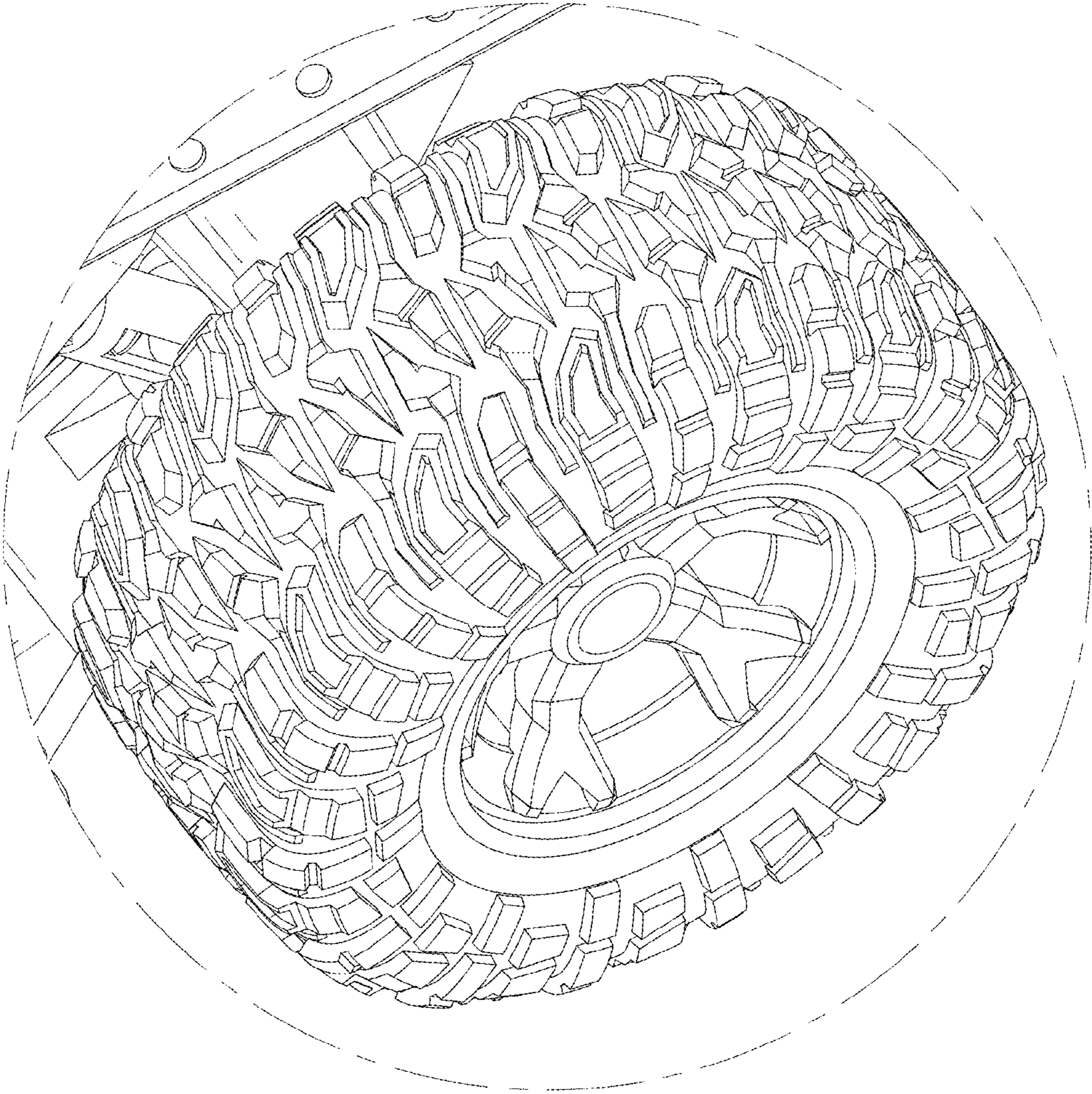


FIG. 10

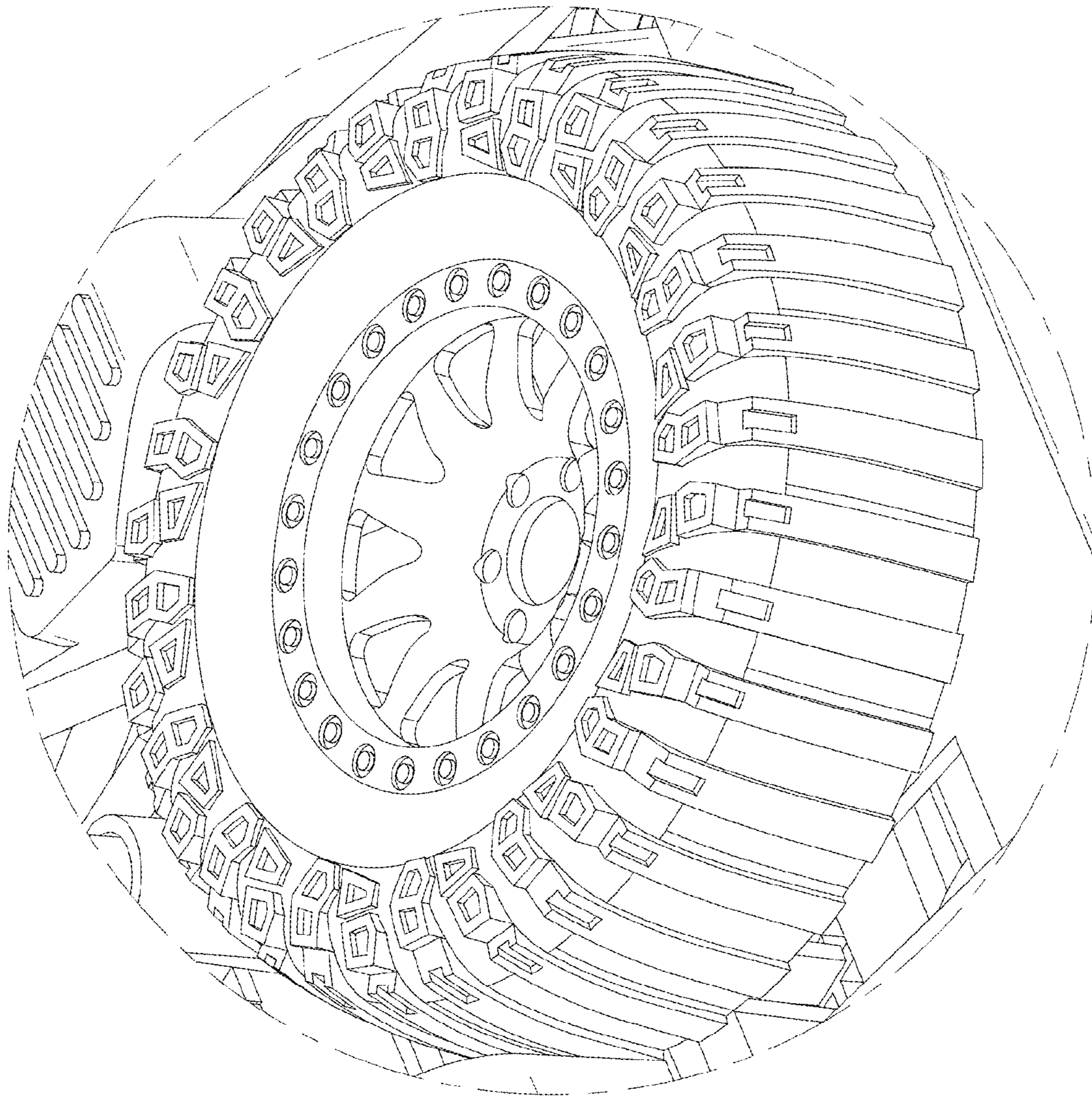


FIG. 11