



US00D985071S

(12) **United States Design Patent** (10) **Patent No.:** **US D985,071 S**
Zhang (45) **Date of Patent:** **** May 2, 2023**

(54) **MEDICAL BOX TOY**

OTHER PUBLICATIONS

(71) Applicant: **Haibin Zhang**, Shantou (CN)

Mcfance, announced 2020[online], [site visited Dec. 23, 2022]. Available on internet, URL:https://www.amazon.com/MCFANCE-Pretend-Stethoscope-Medical-Imagination/dp/B082PZKLY5/ref (Year: 2020).*

(72) Inventor: **Haibin Zhang**, Shantou (CN)

* cited by examiner

(**) Term: **15 Years**

Primary Examiner — Khawaja Anwar

(21) Appl. No.: **29/852,162**

Assistant Examiner — Julice Seung Eun Oum

(22) Filed: **Sep. 2, 2022**

(74) *Attorney, Agent, or Firm* — Justin Lampel

(51) **LOC (14) Cl.** **21-01**

(52) **U.S. Cl.**

(57) **CLAIM**

USPC **D21/529**

The ornamental design for a medical box toy, as shown and described.

(58) **Field of Classification Search**

DESCRIPTION

USPC D21/529, 680, 662; D3/2, 3, 4, 200, 201, D3/203.1, 203.6, 203.7, 228, 231, 242, D3/258, 259

FIG. 1 is a perspective view of a medical box toy showing the claimed design;

See application file for complete search history.

FIG. 2 is another perspective view thereof;

(56) **References Cited**

U.S. PATENT DOCUMENTS

5,211,302 A * 5/1993 Tiramani A45C 13/04 206/823
D348,984 S * 7/1994 Gilbert D3/205
D649,342 S * 11/2011 Sackett
D810,421 S * 2/2018 Ross D3/203.1
D846,264 S * 4/2019 Wu D3/201
D937,562 S * 12/2021 Lateef D3/203.1
D946,883 S * 3/2022 Lateef D3/203.1
D963,437 S * 9/2022 Lei D7/709

FIG. 3 is a top plan view thereof;

FIG. 4 is a bottom plan view thereof.

FIG. 5 is a left side view thereof;

FIG. 6 is a right side view thereof;

FIG. 7 is a rear elevational view thereof;

FIG. 8 is a front elevational view thereof; and,

FIG. 9 is an interior view thereof.

The broken lines depict portions of the medical box toy that form no part of the claimed design.

1 Claim, 9 Drawing Sheets

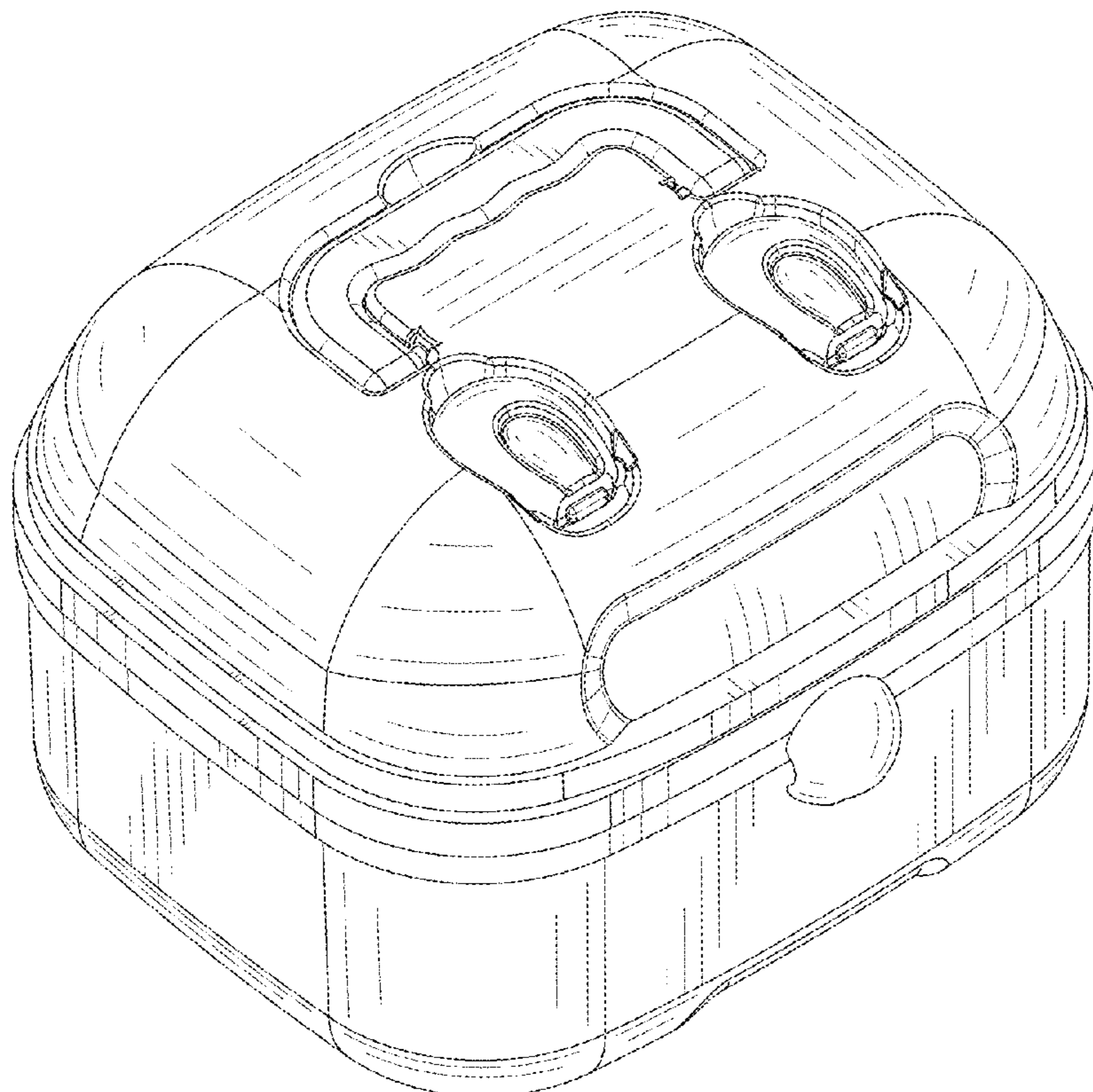




FIG. 1

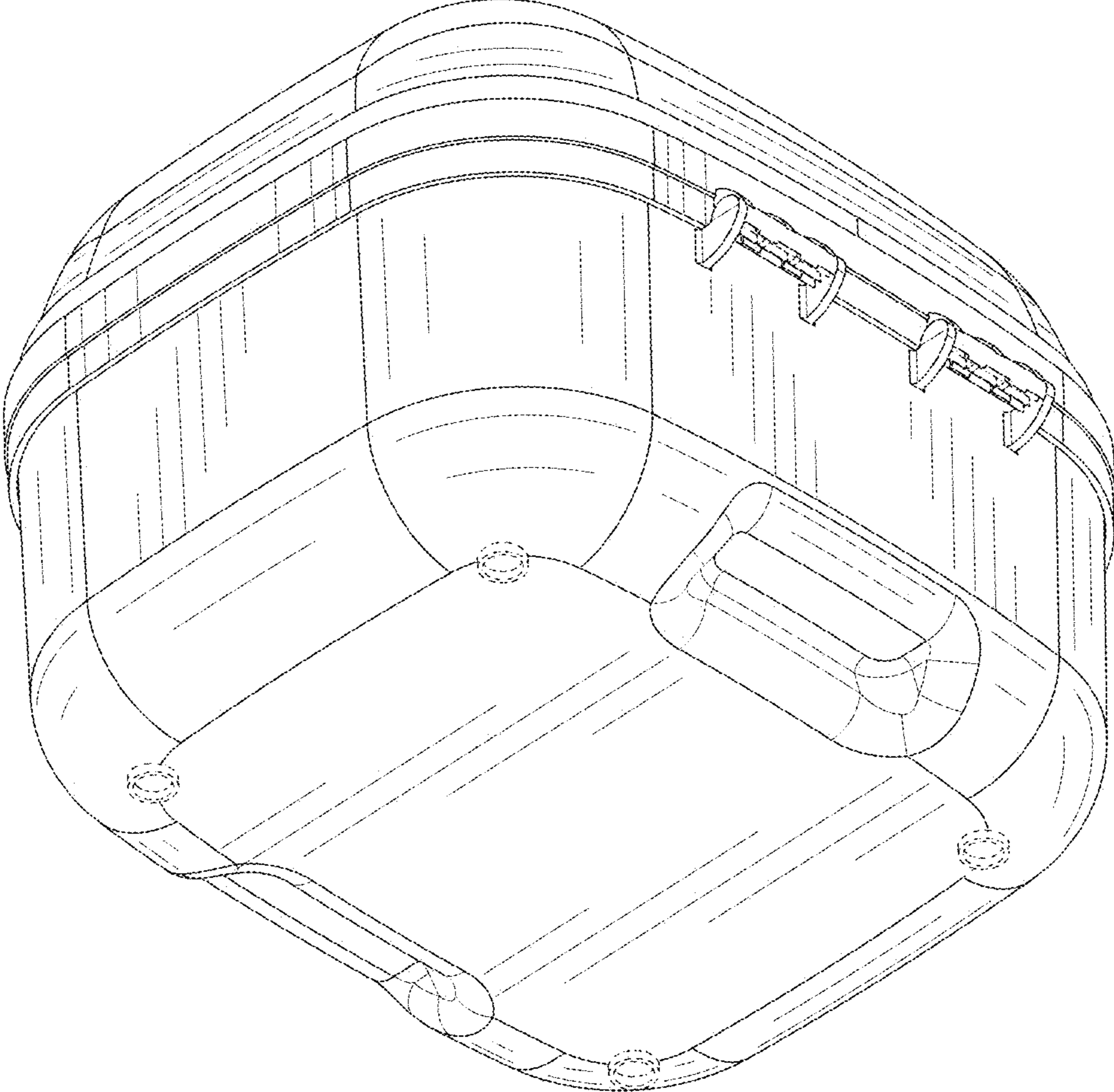


FIG. 2

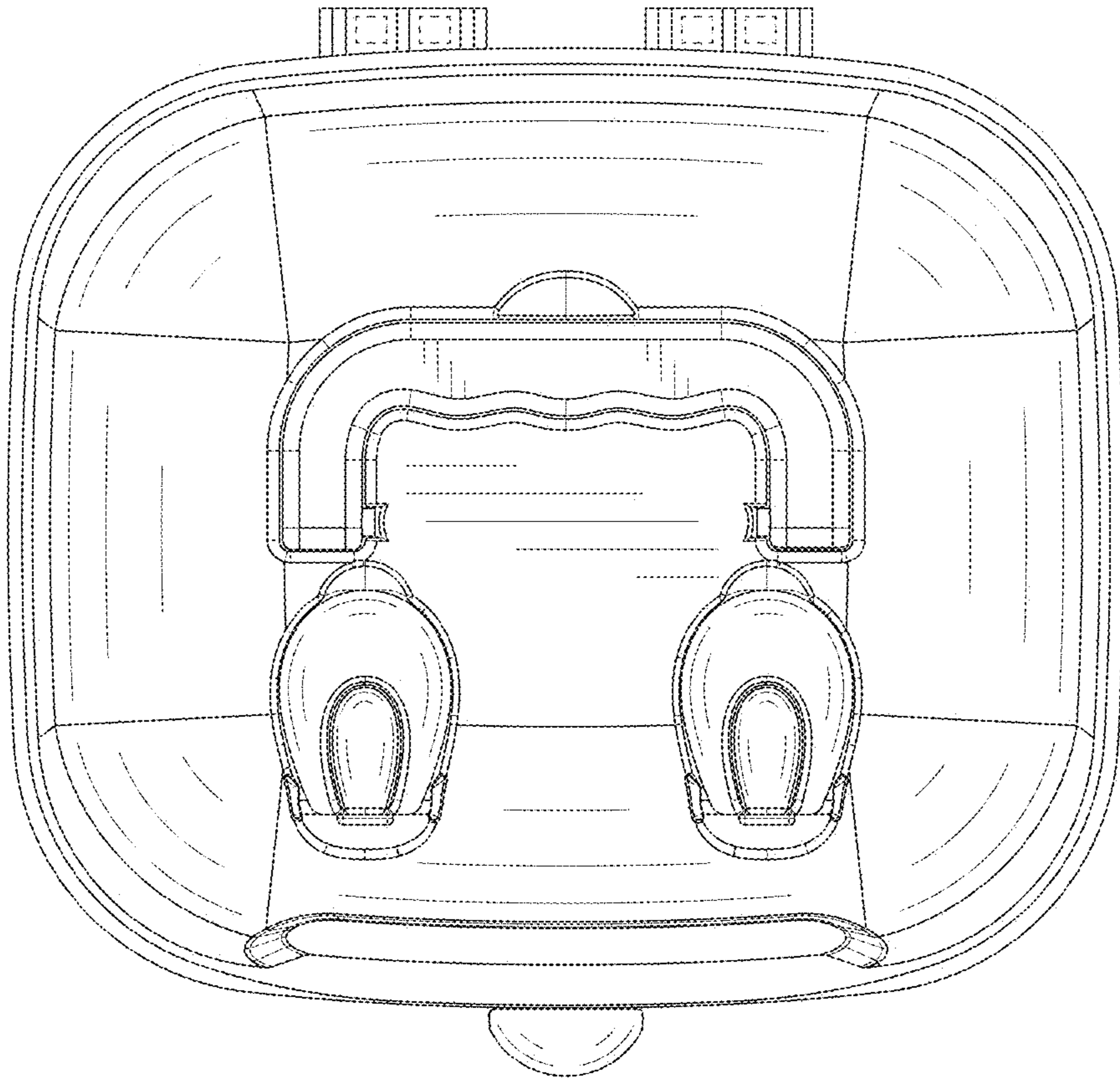


FIG. 3

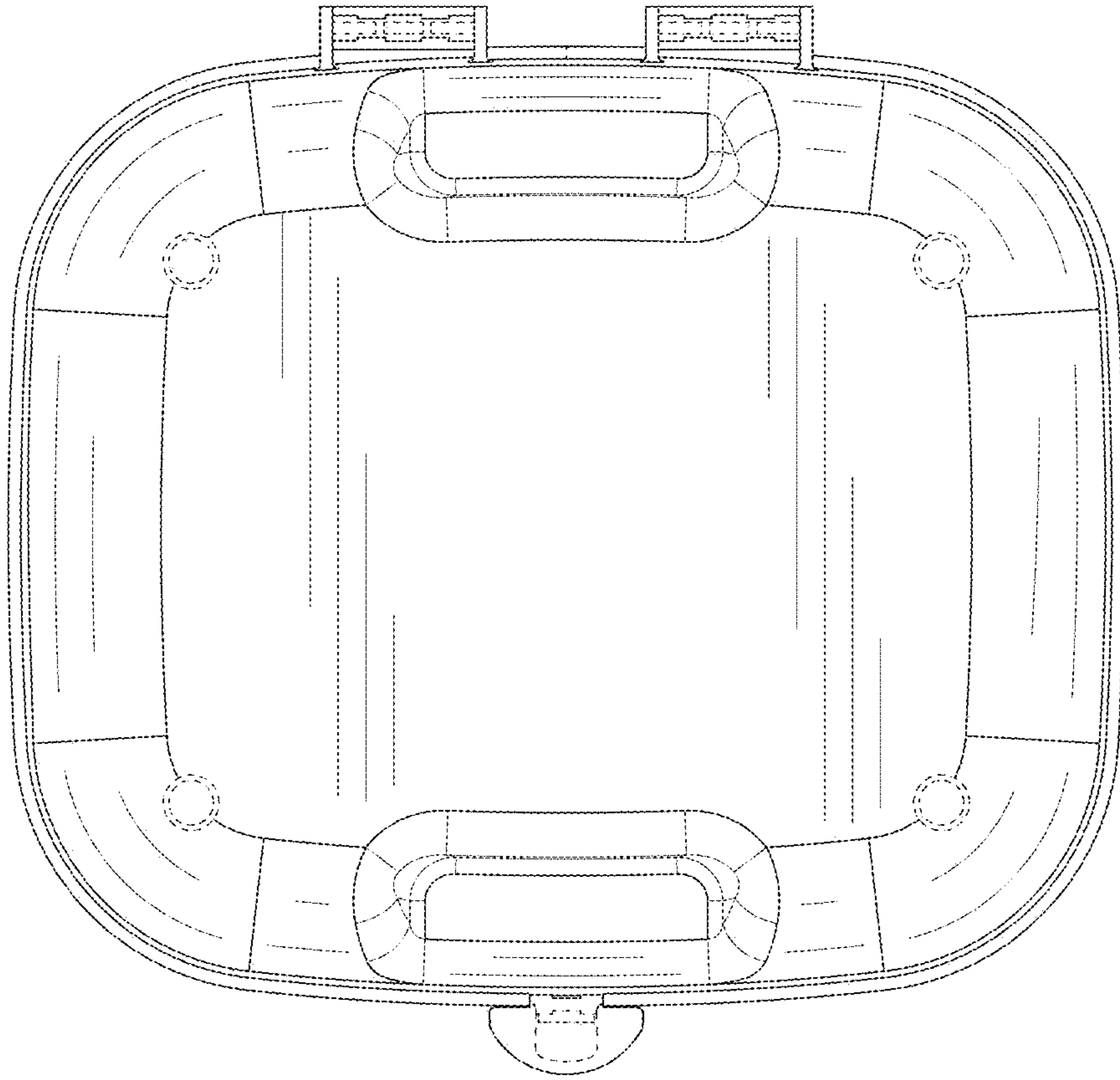


FIG. 4

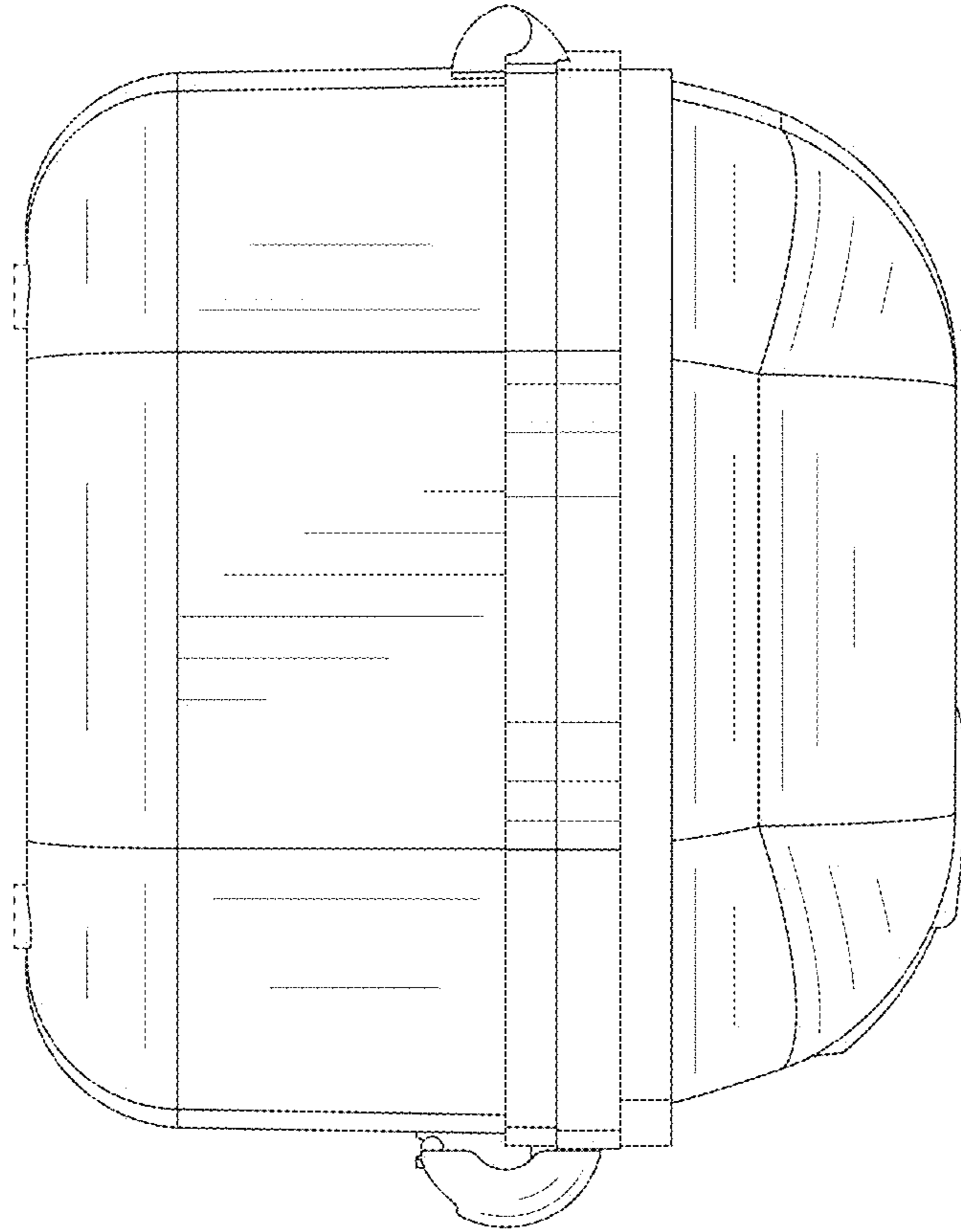


FIG. 5

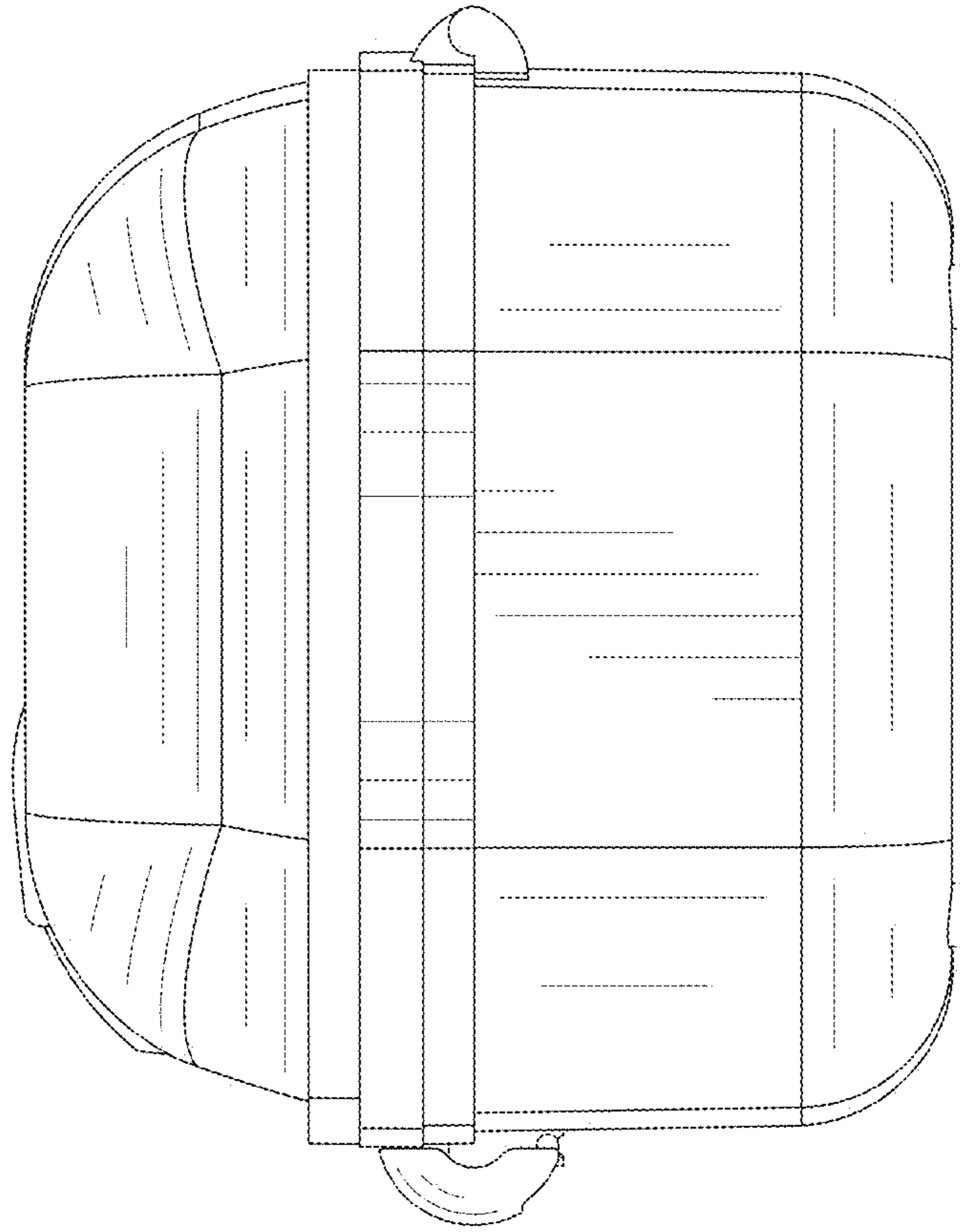


FIG. 6

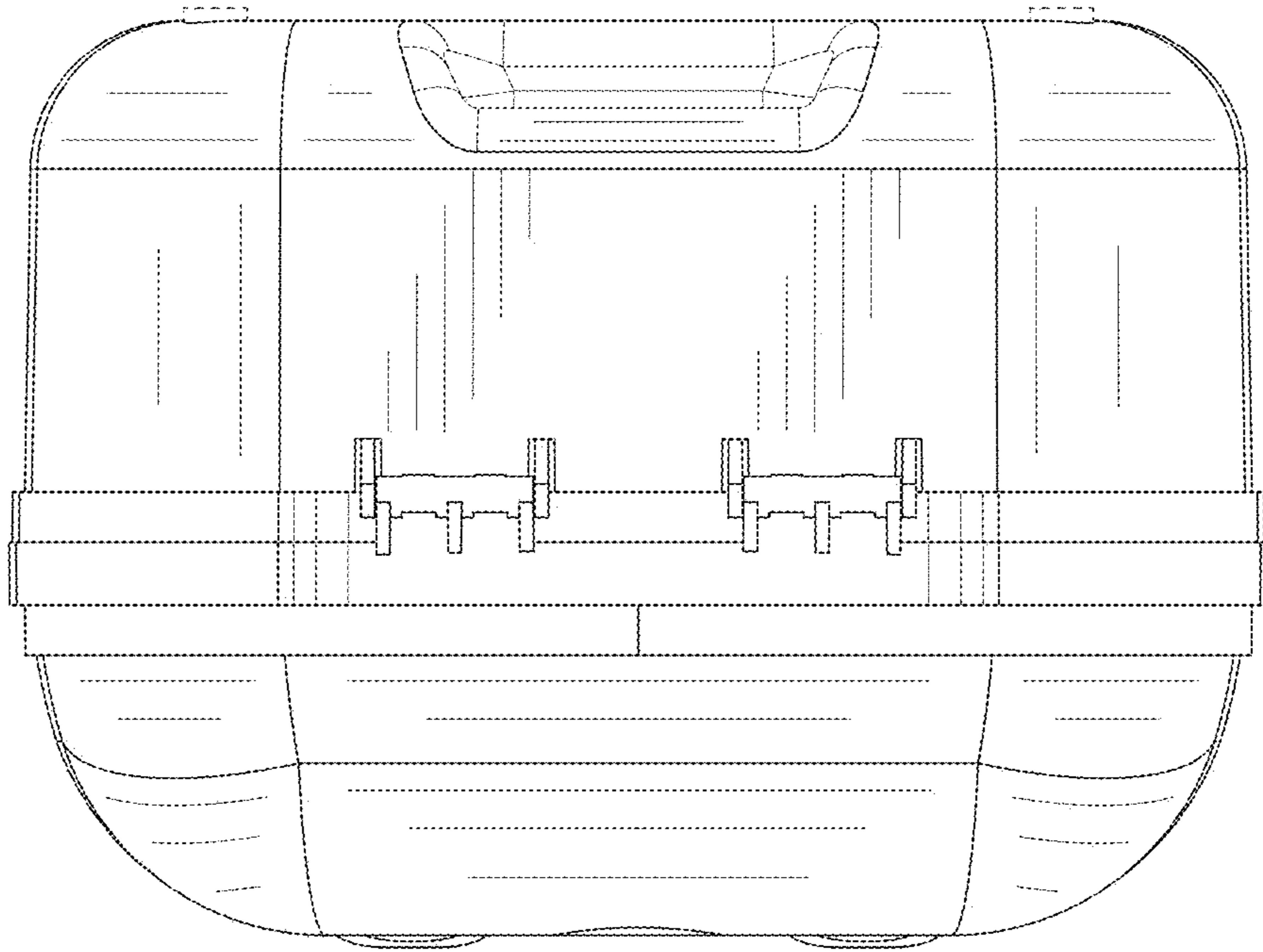


FIG. 7

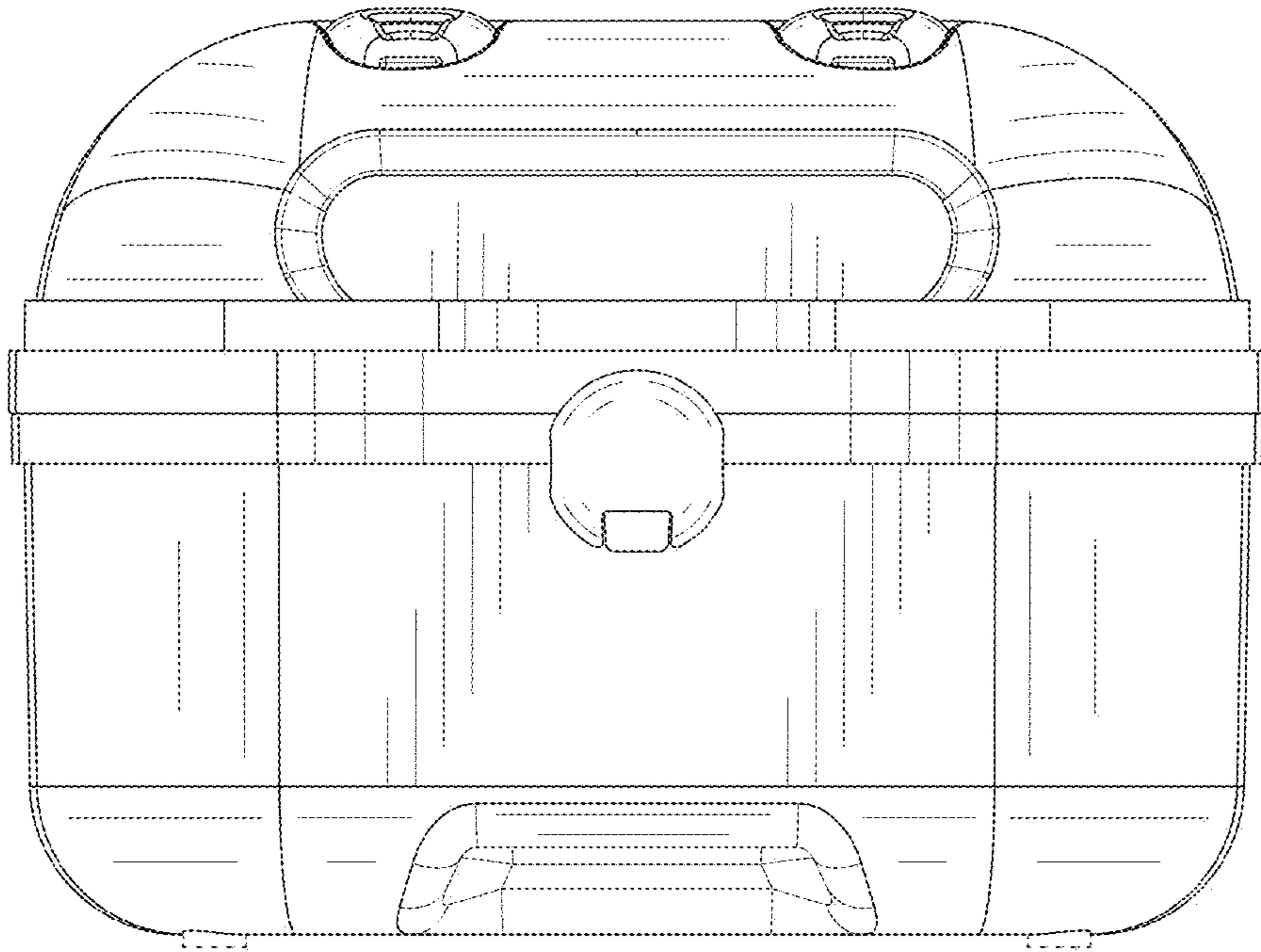


FIG. 8

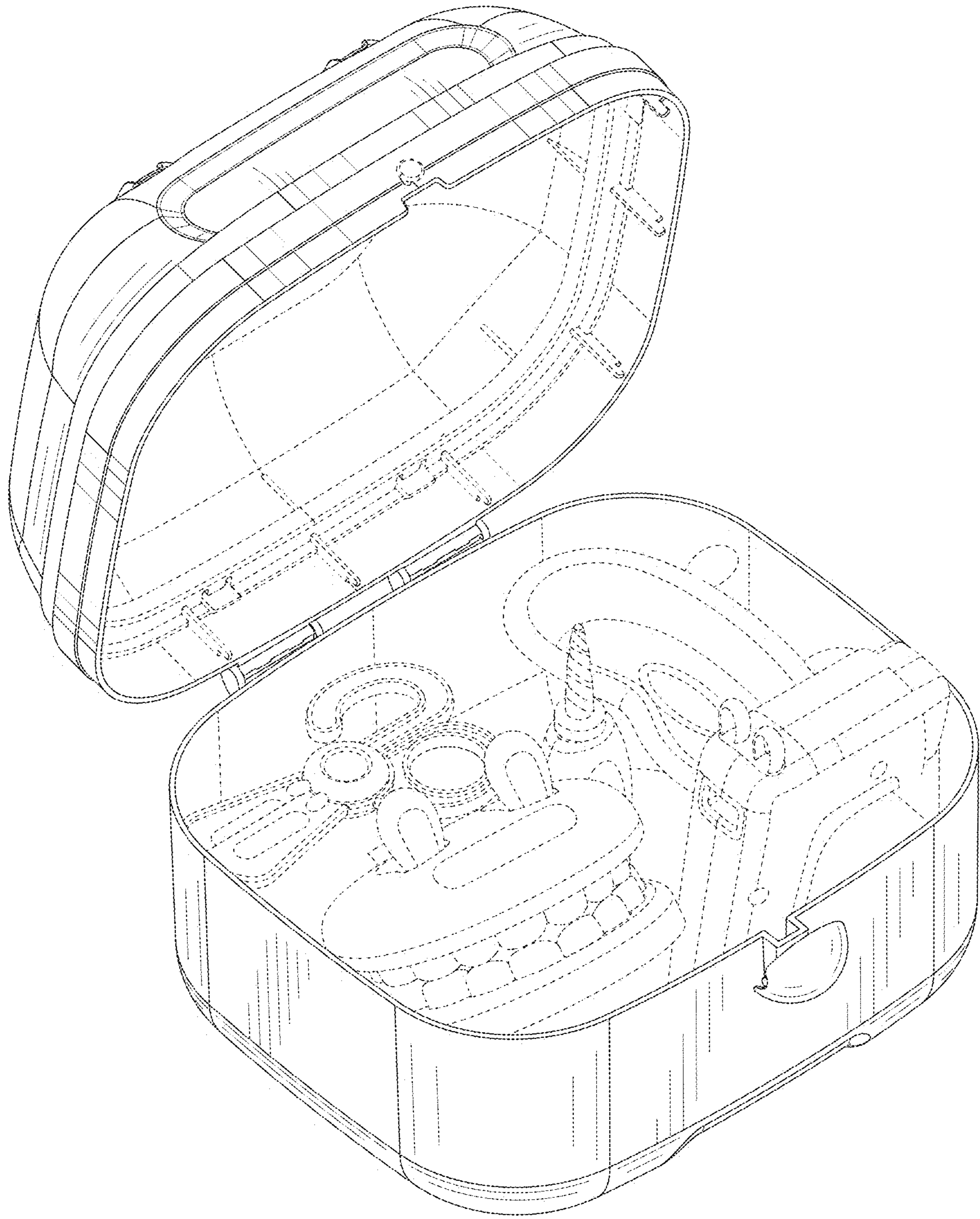


FIG. 9