



US00D985066S

(12) **United States Design Patent** (10) **Patent No.:** **US D985,066 S**
Yuan (45) **Date of Patent:** **** May 2, 2023**

(54) **SPINNING PRIZE WHEEL**

Assistant Examiner — Yuan Yuan

(71) Applicant: **Anhui Xinmai Technology Co., Ltd.**,
Wuhu (CN)

(74) *Attorney, Agent, or Firm* — Runit Ranjit Kanakia

(72) Inventor: **Xianyong Yuan**, Wuhu (CN)

(57) **CLAIM**

The ornamental design for a spinning prize wheel, as shown and described.

(**) Term: **15 Years**

DESCRIPTION

(21) Appl. No.: **29/849,440**

(22) Filed: **Aug. 11, 2022**

(51) **LOC (14) Cl.** **21-01**

(52) **U.S. Cl.**
USPC **D21/374**

(58) **Field of Classification Search**
USPC D21/374, 385, 371, 369, 370, 375;
D19/64; D14/227, 229; D16/244
CPC A63F 5/045; A63F 5/043; A63F 5/041;
A63F 5/04; A63F 5/0041; A63F
2003/0017; A63H 3/50; F41J 3/0019
See application file for complete search history.

FIG. 1 is a perspective view of a spinning prize wheel, showing my new design;
FIG. 2 is another perspective view thereof;
FIG. 3 is a front elevational view thereof;
FIG. 4 is a rear elevational view thereof;
FIG. 5 is a left side view thereof;
FIG. 6 is a right side view thereof;
FIG. 7 is a top plan view thereof;
FIG. 8 is a bottom plan view thereof;
FIG. 9 is an enlarged view of the portion 9 shown in FIG. 1;
FIG. 10 is an enlarged view of the portion 10 shown in FIG. 1;
FIG. 11 is an enlarged view of the portion 11 shown in FIG. 1;
FIG. 12 is an enlarged view of the portion 12 shown in FIG. 1;
FIG. 13 is an enlarged view of the portion 13 shown in FIG. 1;
FIG. 14 is an enlarged view of the portion 14 shown in FIG. 1;
FIG. 15 is an enlarged view of the portion 15 shown in FIG. 2; and
FIG. 16 is an enlarged view of the portion 16 shown in FIG. 2;
FIG. 17 is an enlarged view of the portion 17 shown in FIG. 2; and,
FIG. 18 is an enlarged view of the portion 18 shown in FIG. 2.
The broken lines in the drawings depict the boundaries of the enlarged views of the spinning prize wheel and form no part of the claimed design.

(56) **References Cited**

U.S. PATENT DOCUMENTS

696,735 A * 4/1902 Heidinger A63F 5/043
273/142 JA
1,703,498 A * 2/1929 Olbon A63F 5/045
D21/374
1,837,194 A * 12/1931 Baumgarten A63F 5/04
273/272

(Continued)

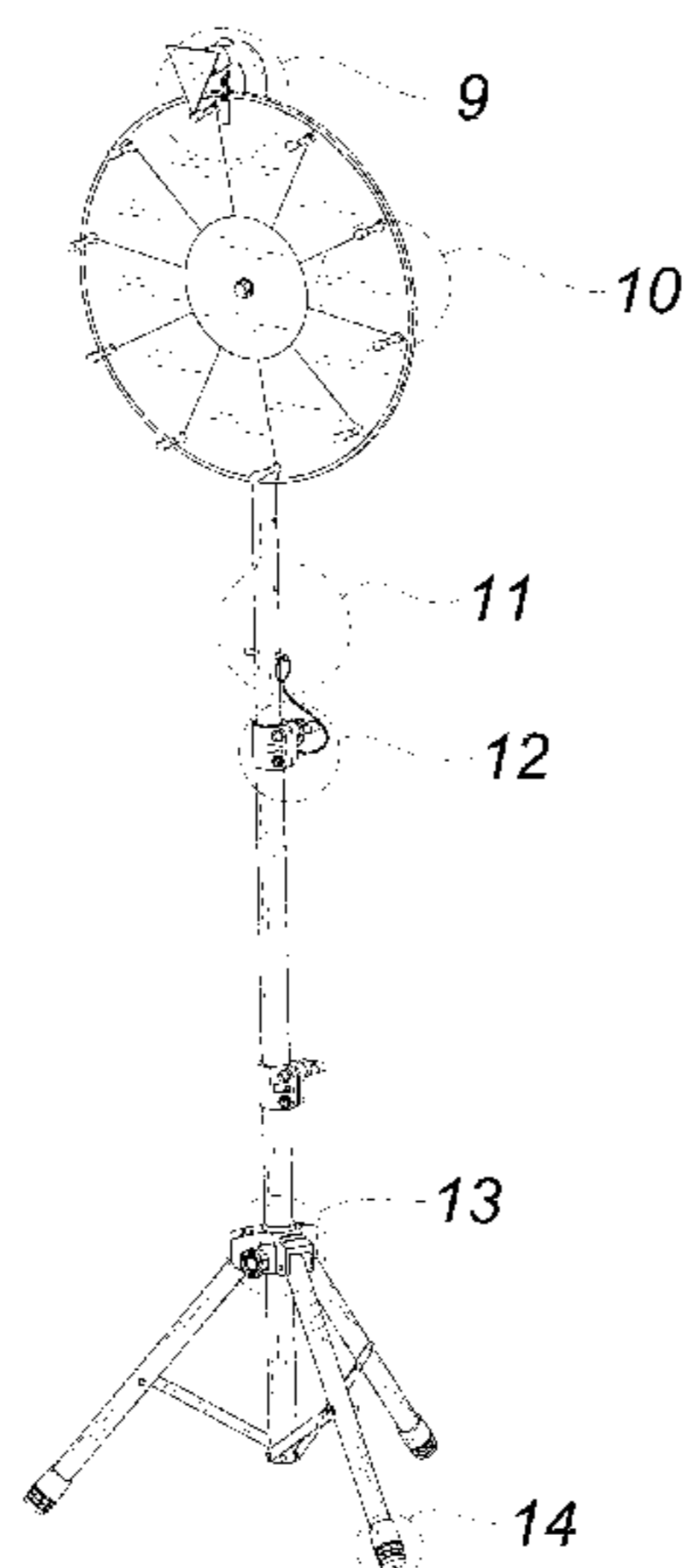
OTHER PUBLICATIONS

DarnBaly 16 inches Spinning Prize Wheel. Date First Available: Jun. 30, 2022. Retrieved from internet: <<https://www.amazon.ca/DarnBaly-16-Spinning-Prize-Wheel/dp/B09PD5J42F/>> [site visited Oct. 31, 2022] (Year: 2022).*

(Continued)

Primary Examiner — Katherine Glennon

1 Claim, 14 Drawing Sheets



(56)

References Cited

U.S. PATENT DOCUMENTS

2,043,047 A * 6/1936 Andres A63F 5/045
273/142 JC
2,077,124 A * 4/1937 Miller A63F 5/043
D21/374
D105,223 S * 7/1937 Miller et al. D21/374
2,165,145 A * 7/1939 Mahawash A63F 5/043
273/142 HA
D122,425 S * 9/1940 Slater D21/374
D132,975 S * 7/1942 Jones D20/18
2,831,691 A * 4/1958 Vince A63F 9/0098
434/167
2,922,651 A * 1/1960 Stange A63F 5/04
273/142 JA
3,817,532 A * 6/1974 Lee G07F 17/34
273/142 HA
3,850,432 A * 11/1974 Crocker F41J 3/0019
273/142 JA
D294,837 S * 3/1988 Haines D19/64
D295,191 S * 4/1988 Goldman D19/64
4,988,064 A * 1/1991 Hoshino F16M 11/2057
248/173
5,062,606 A * 11/1991 Hoshino F16M 11/28
248/169
D433,348 S * 11/2000 Kallestad D10/126
6,217,022 B1 * 4/2001 Astaneha A63F 5/043
273/274
6,375,135 B1 * 4/2002 Eason F16M 11/28
248/163.1
6,454,228 B1 * 9/2002 Bosnakovic F16M 11/245
248/169

D486,869 S 2/2004 Webb
8,517,384 B2 * 8/2013 Carbonaro A63F 5/00
273/142 E
D690,368 S 9/2013 Wojdyla-Gray
9,111,414 B1 * 8/2015 Sirois G07F 17/3211
9,925,455 B2 * 3/2018 Fisher A63F 9/0098
9,981,179 B1 * 5/2018 Matthews A63F 5/045
D843,469 S 3/2019 Nettenstrom
D880,616 S 4/2020 Field
D914,100 S 3/2021 Marks
D927,600 S 8/2021 Colvin et al.
D927,601 S 8/2021 Colvin
D927,602 S 8/2021 Colvin
D927,603 S 8/2021 Colvin
D928,237 S 8/2021 Colvin
D946,644 S * 3/2022 Lin D16/244
2005/0285336 A1 * 12/2005 Ilievski A63F 5/00
273/143 R
2008/0214266 A1 * 9/2008 Phillips G07F 17/3213
463/17
2016/0263472 A1 * 9/2016 Chavez-Munoz
G07F 17/3213
2020/0051372 A1 * 2/2020 Chapman A63F 5/045

OTHER PUBLICATIONS

Smartxchoices 24 Spinning Prize Wheel. Date First Available: Feb. 12, 2019. Retrieved from internet: <<https://www.amazon.com/Smartxchoices-Adjustable-Spinner-Carnival-Fortune/dp/B07NP2X7CW>> [site visited Oct. 31, 2022] (Year: 2019).*

* cited by examiner

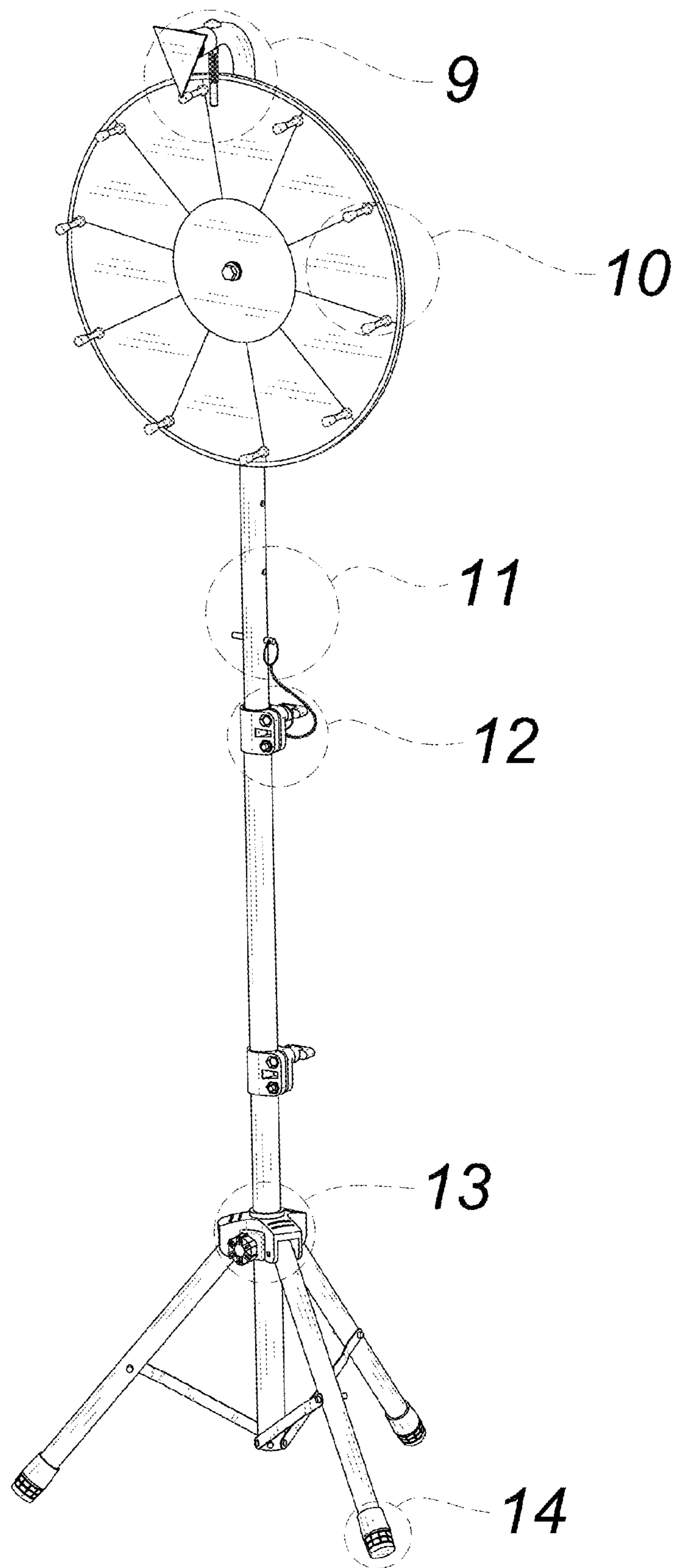


FIG. 1

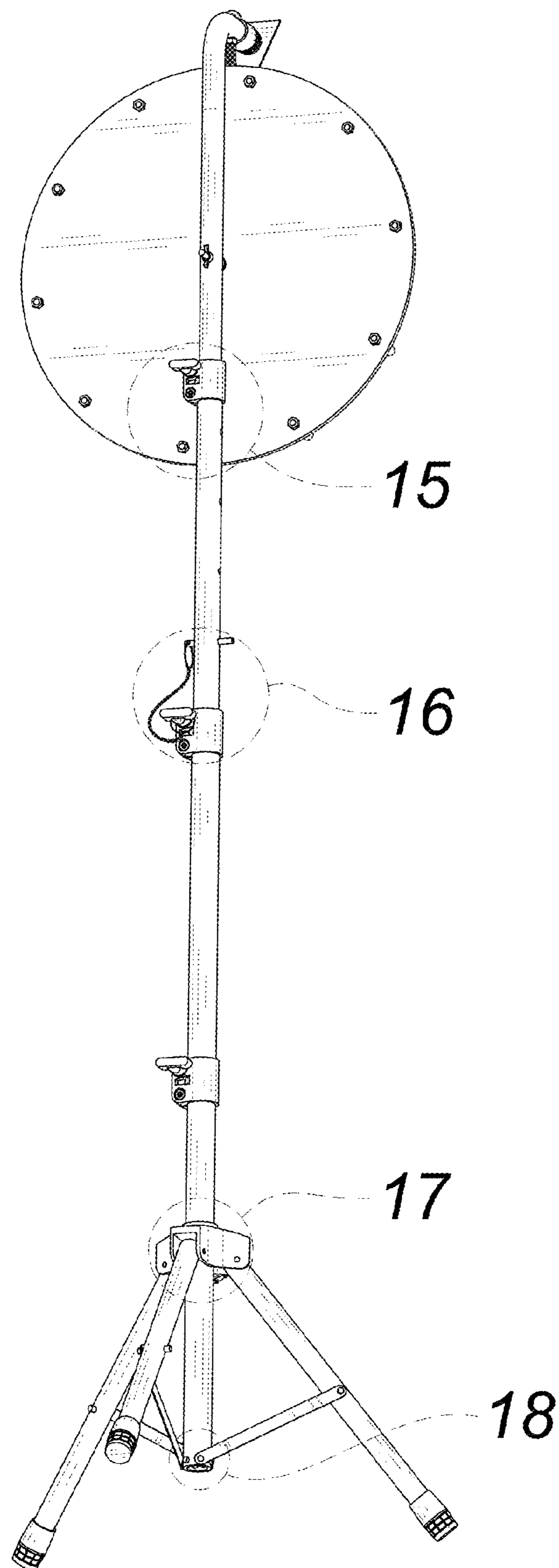


FIG. 2

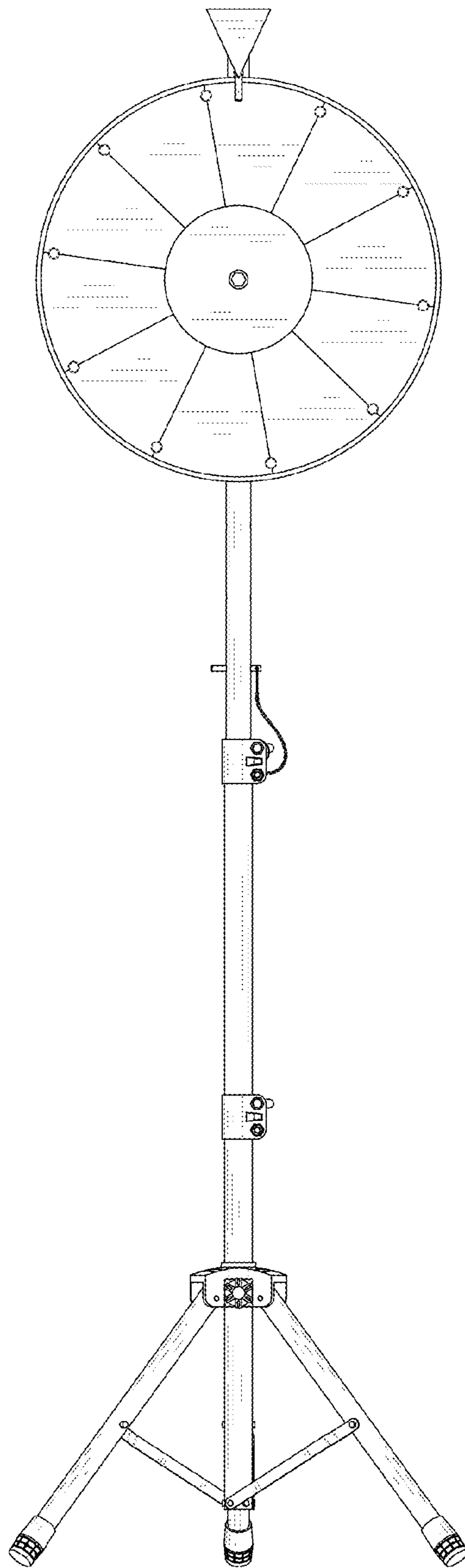


FIG. 3

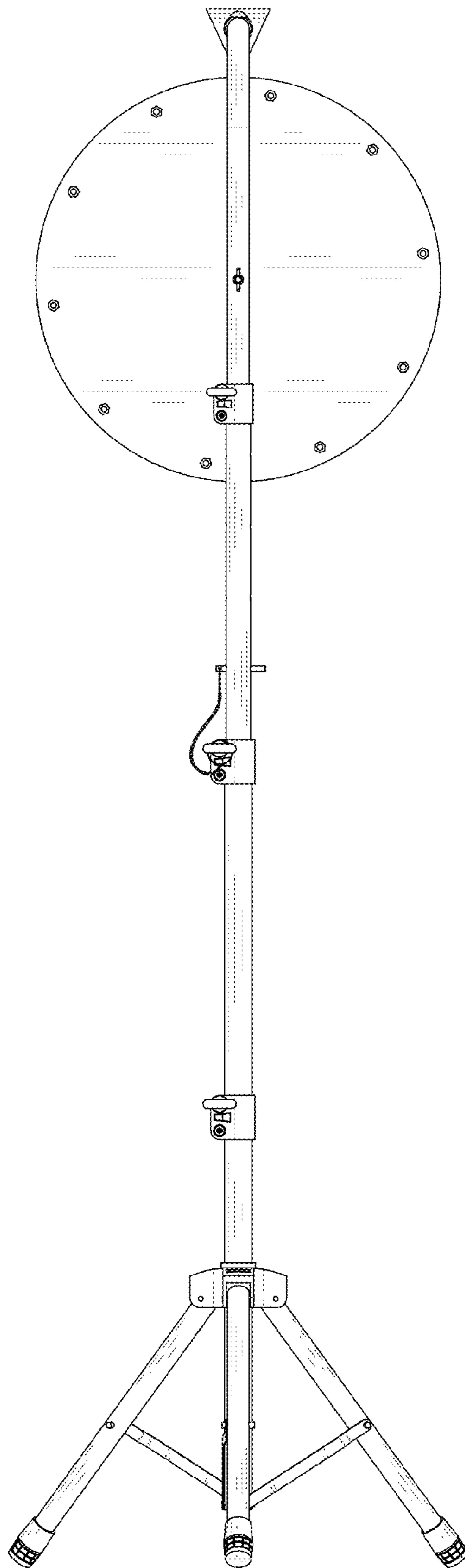


FIG. 4

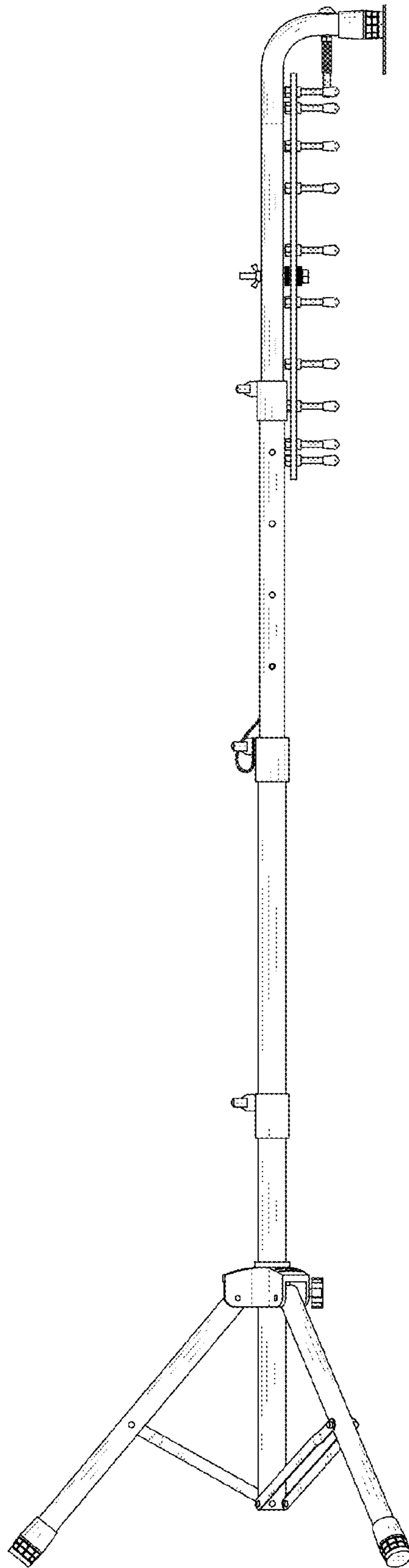


FIG. 5

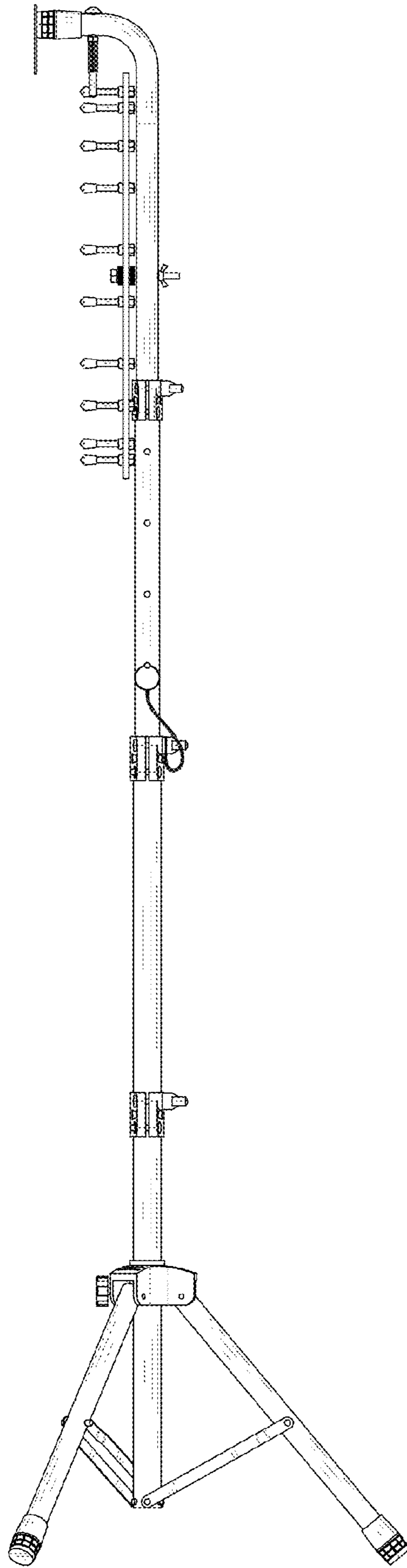


FIG. 6

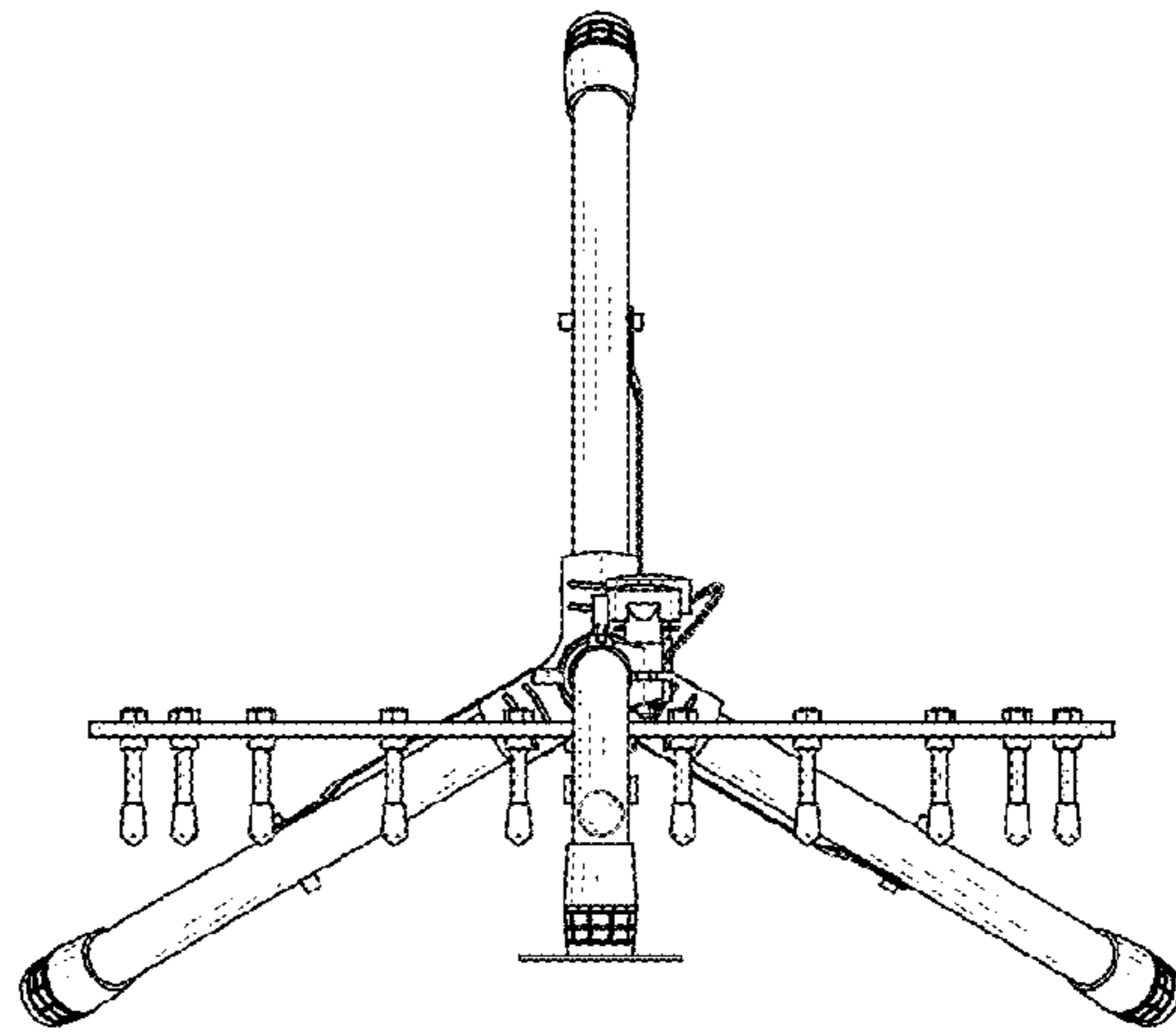


FIG. 7

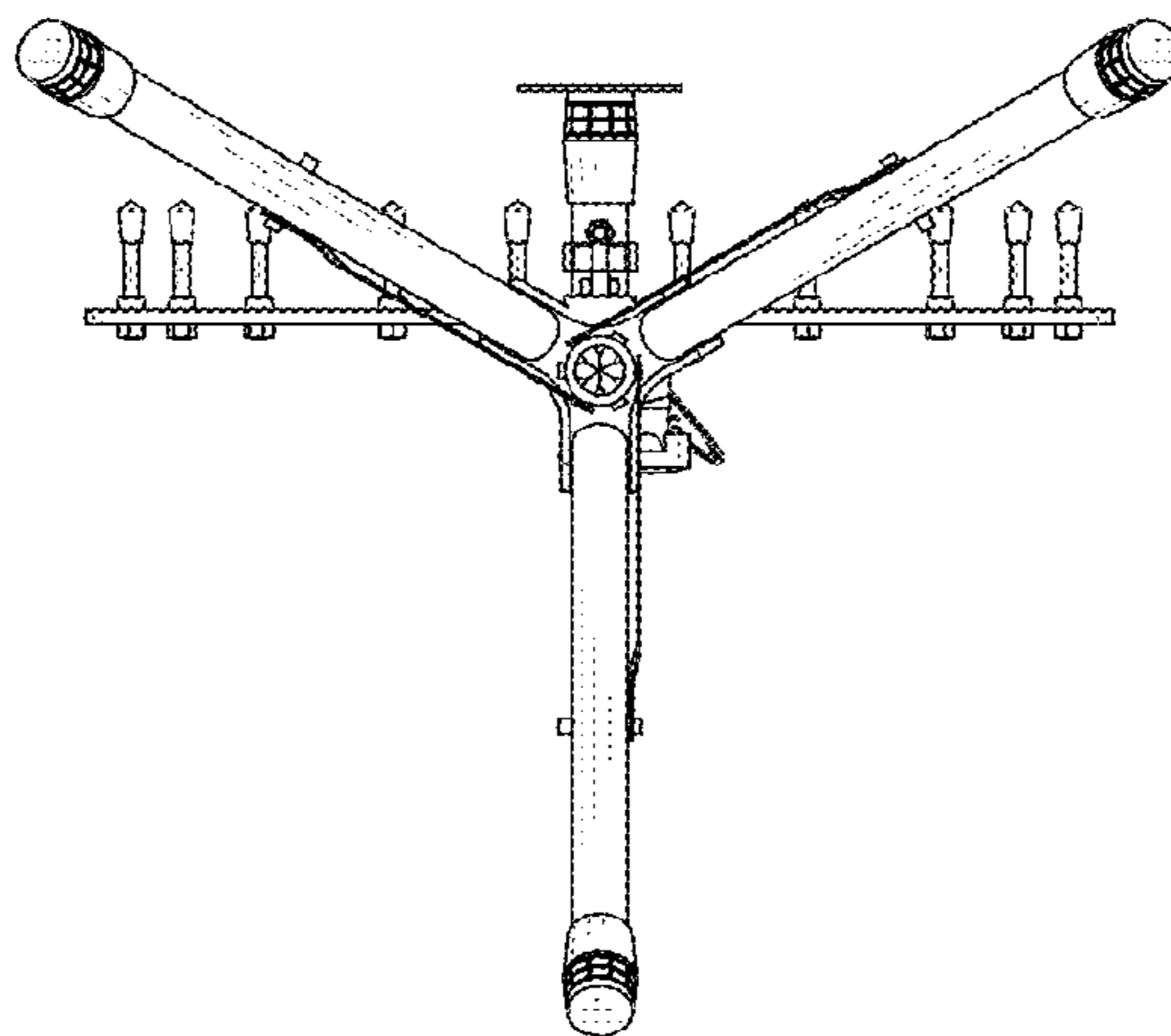


FIG. 8

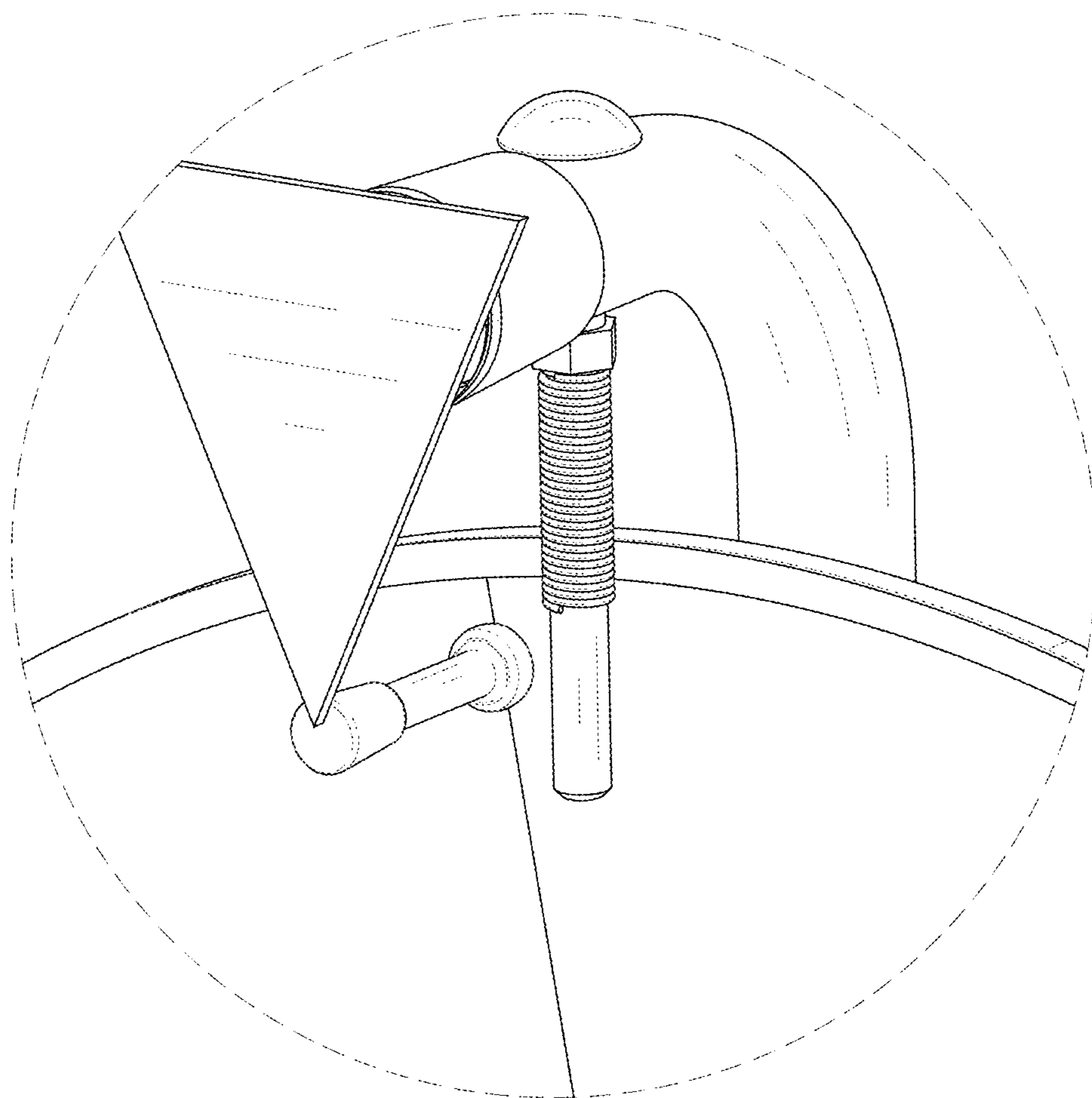


FIG. 9

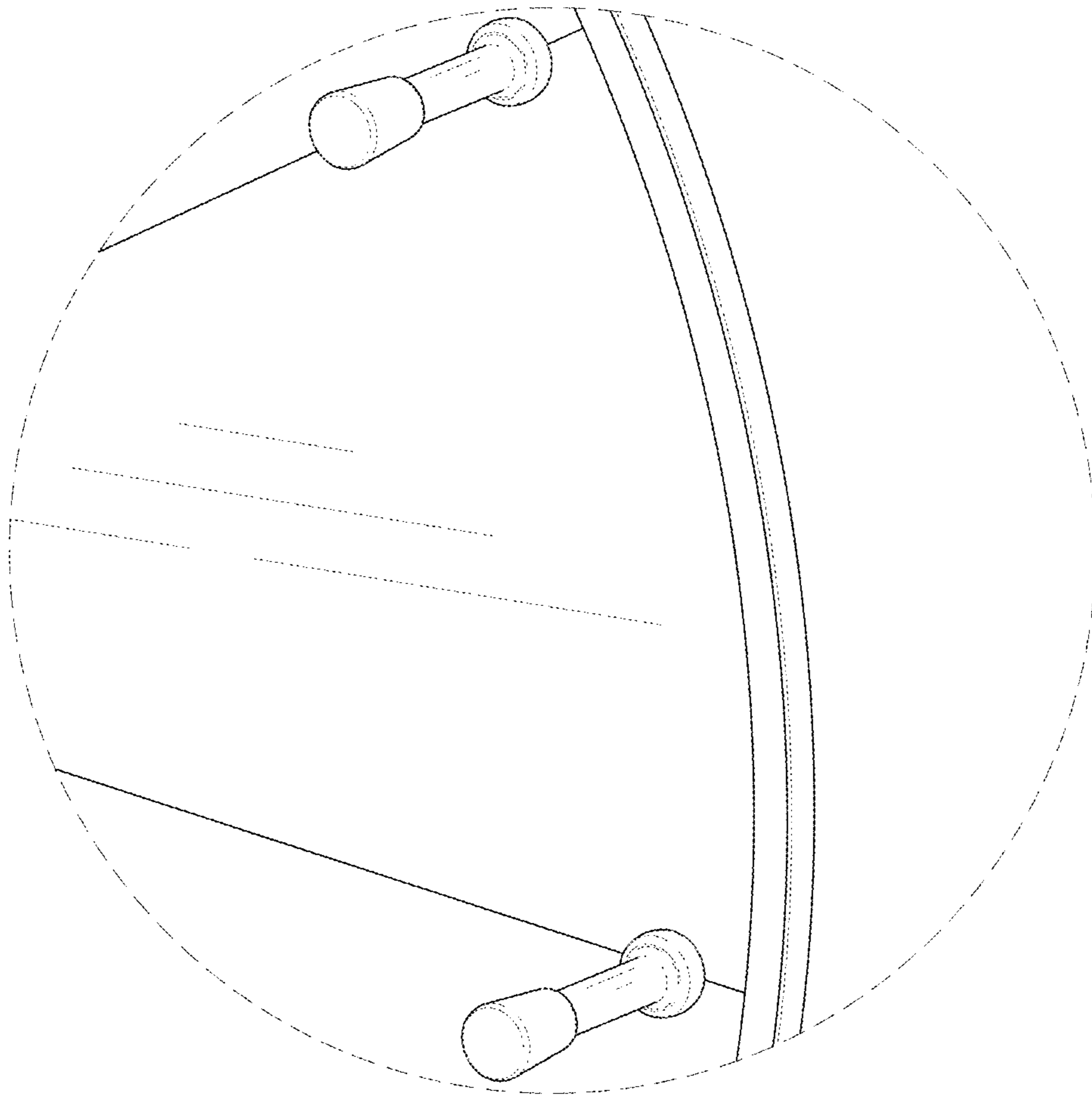


FIG. 10

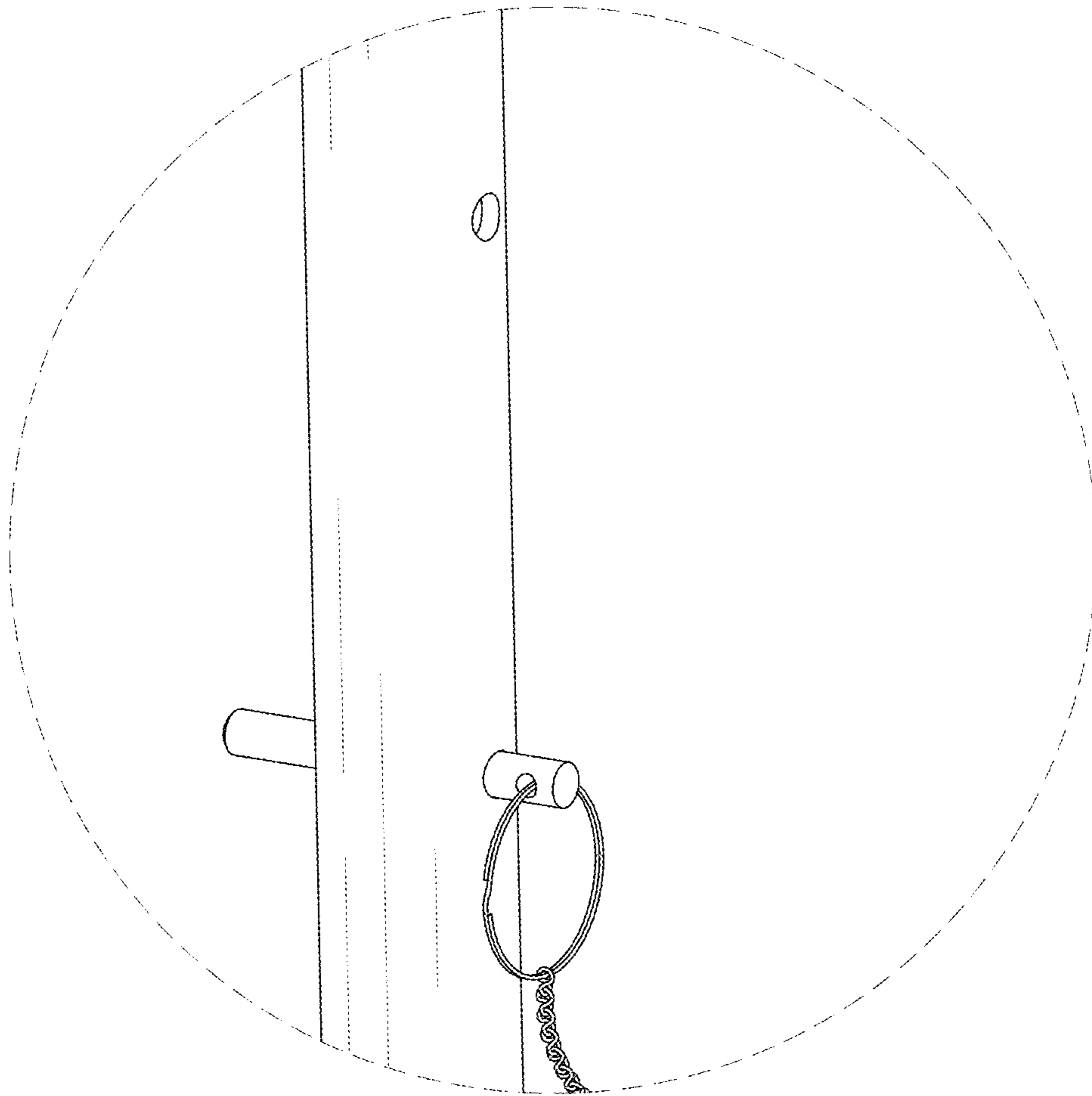


FIG. 11

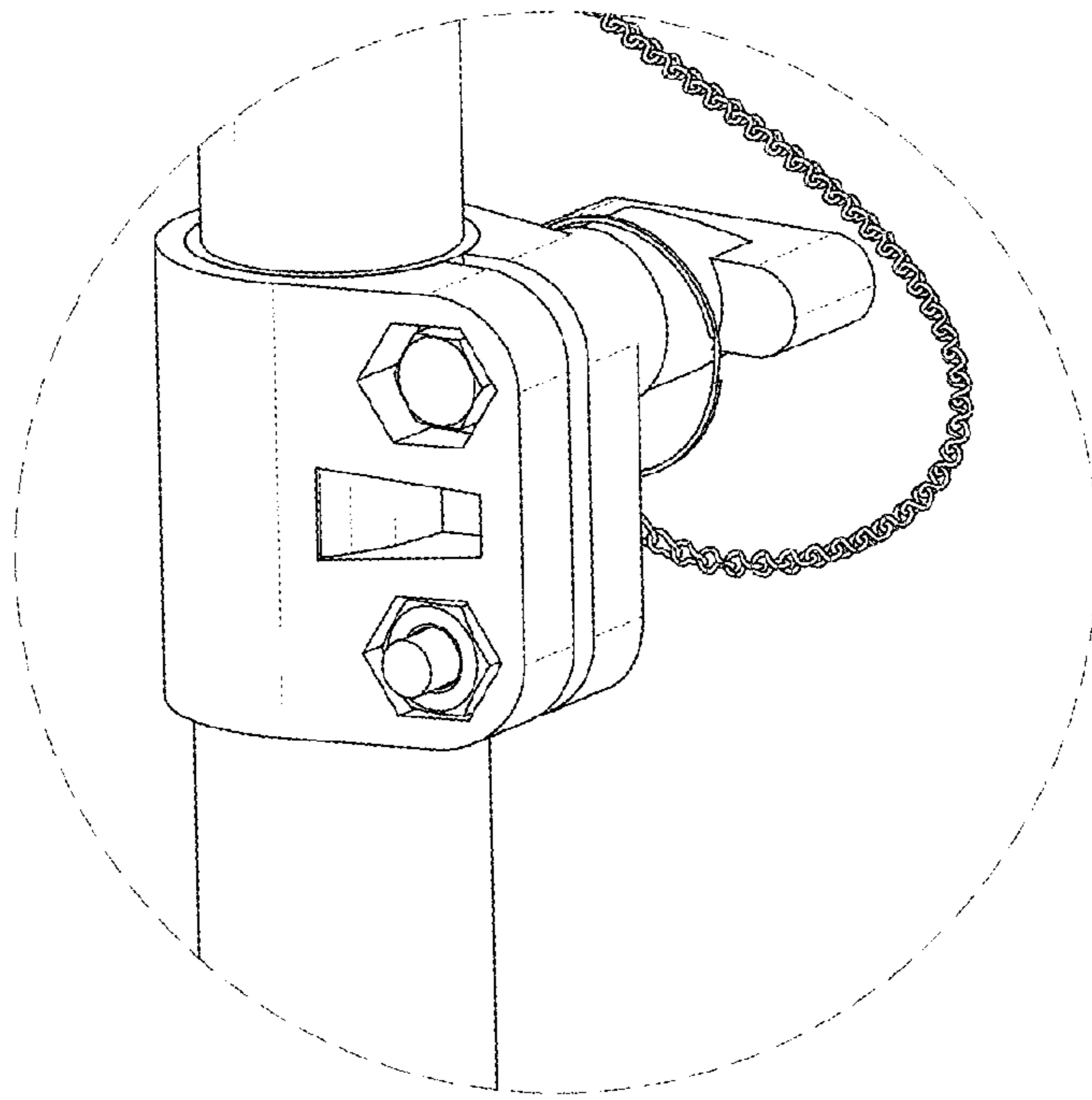


FIG. 12

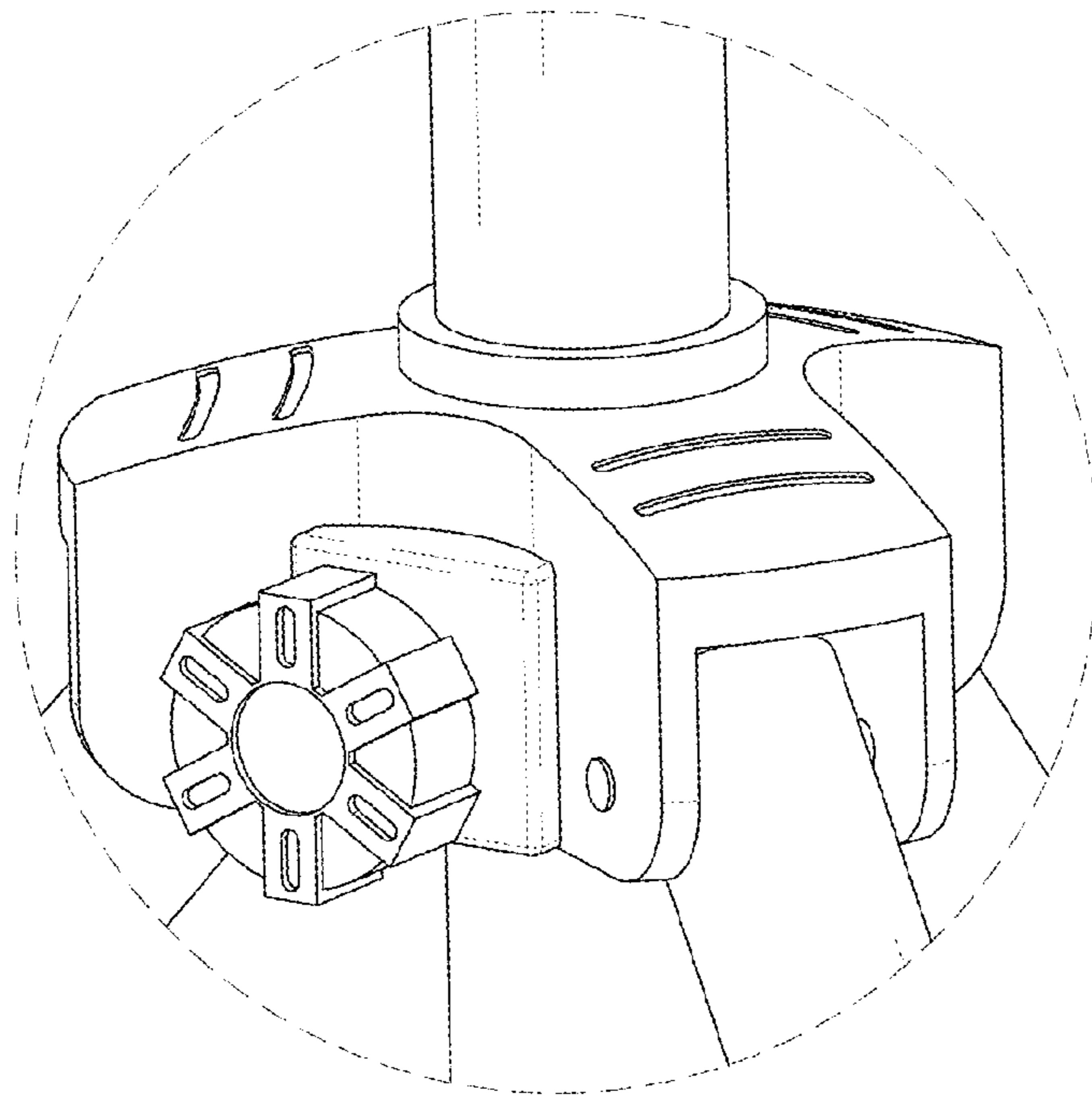


FIG. 13

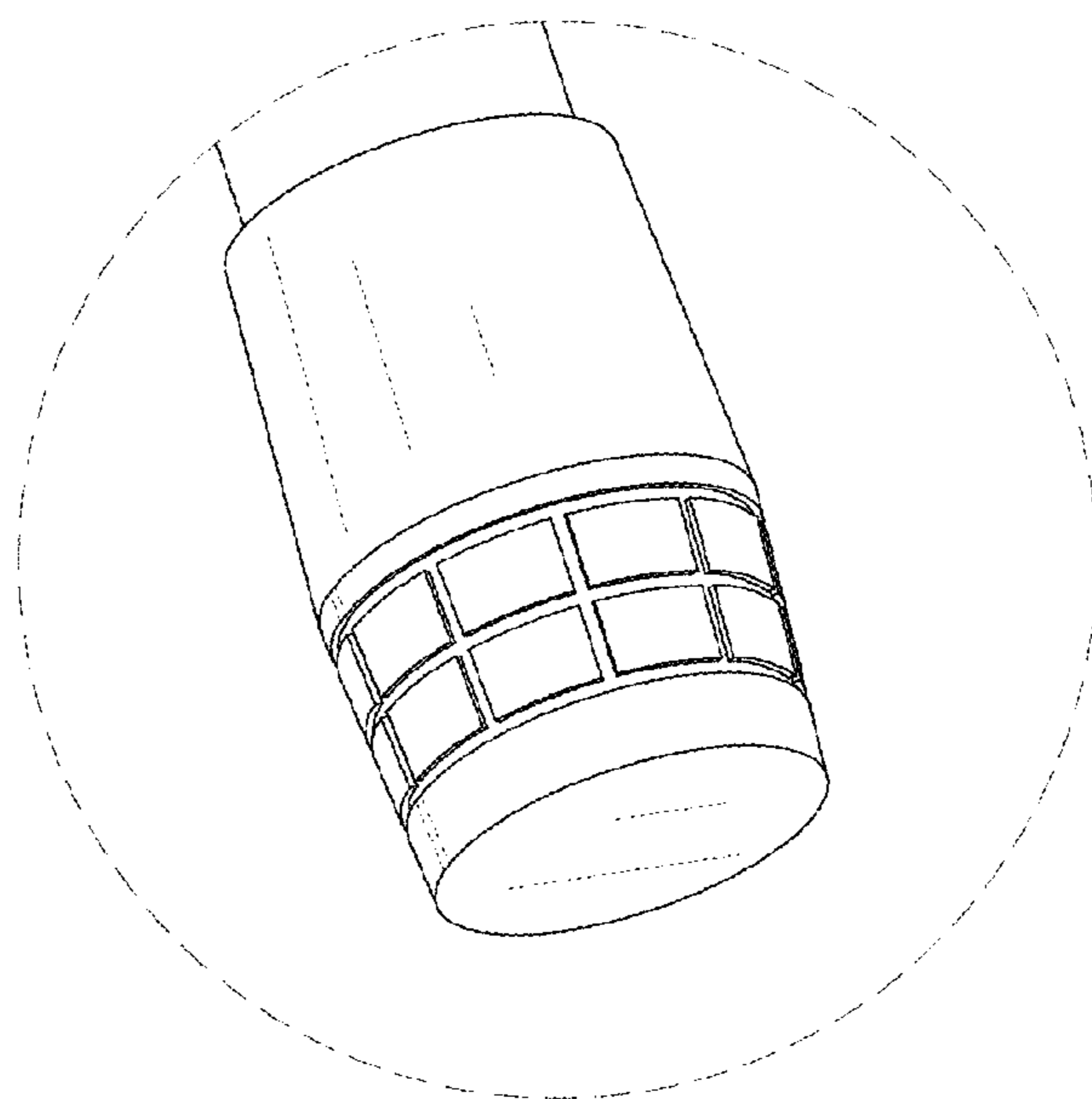


FIG. 14

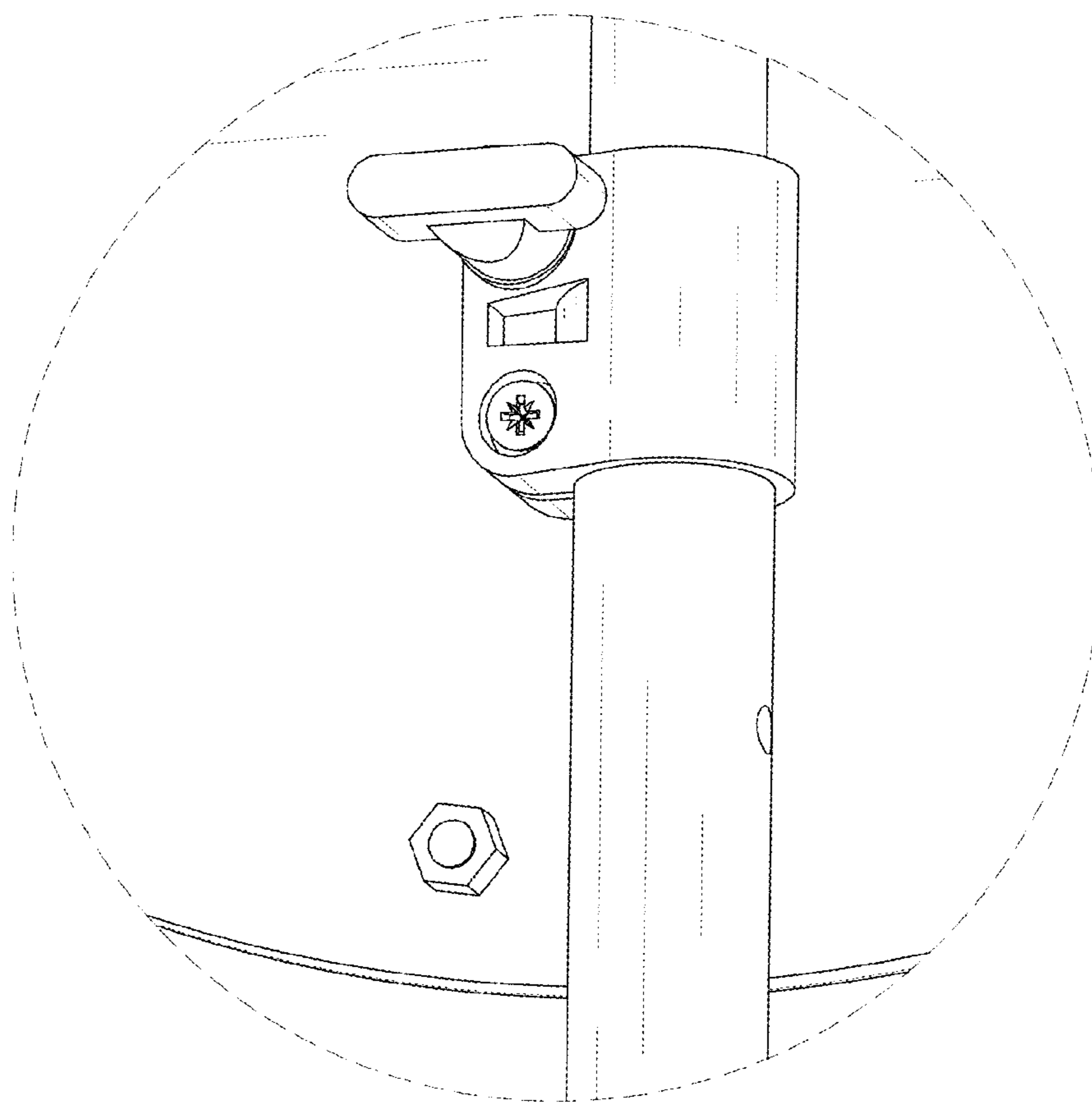


FIG. 15

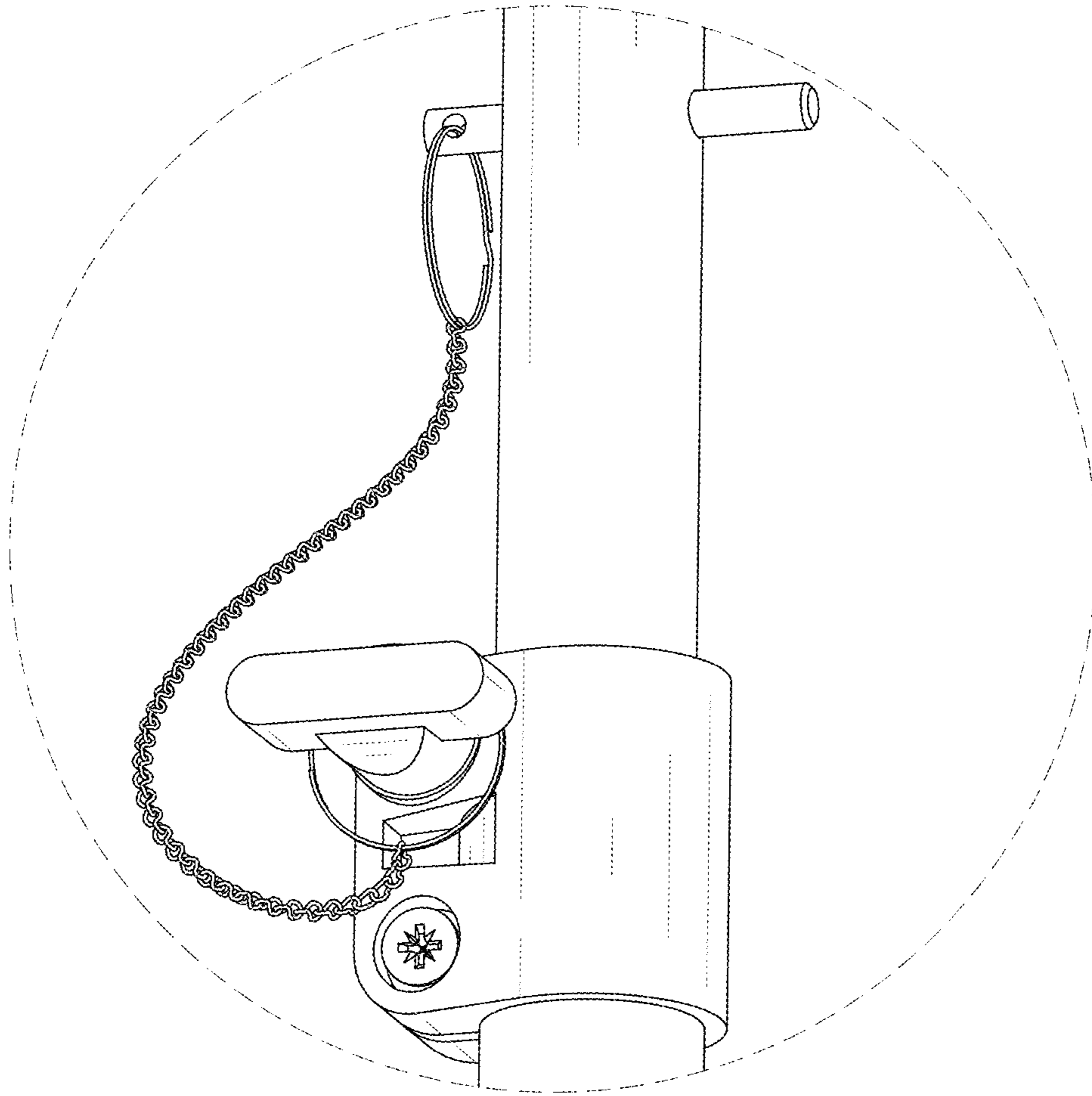


FIG. 16

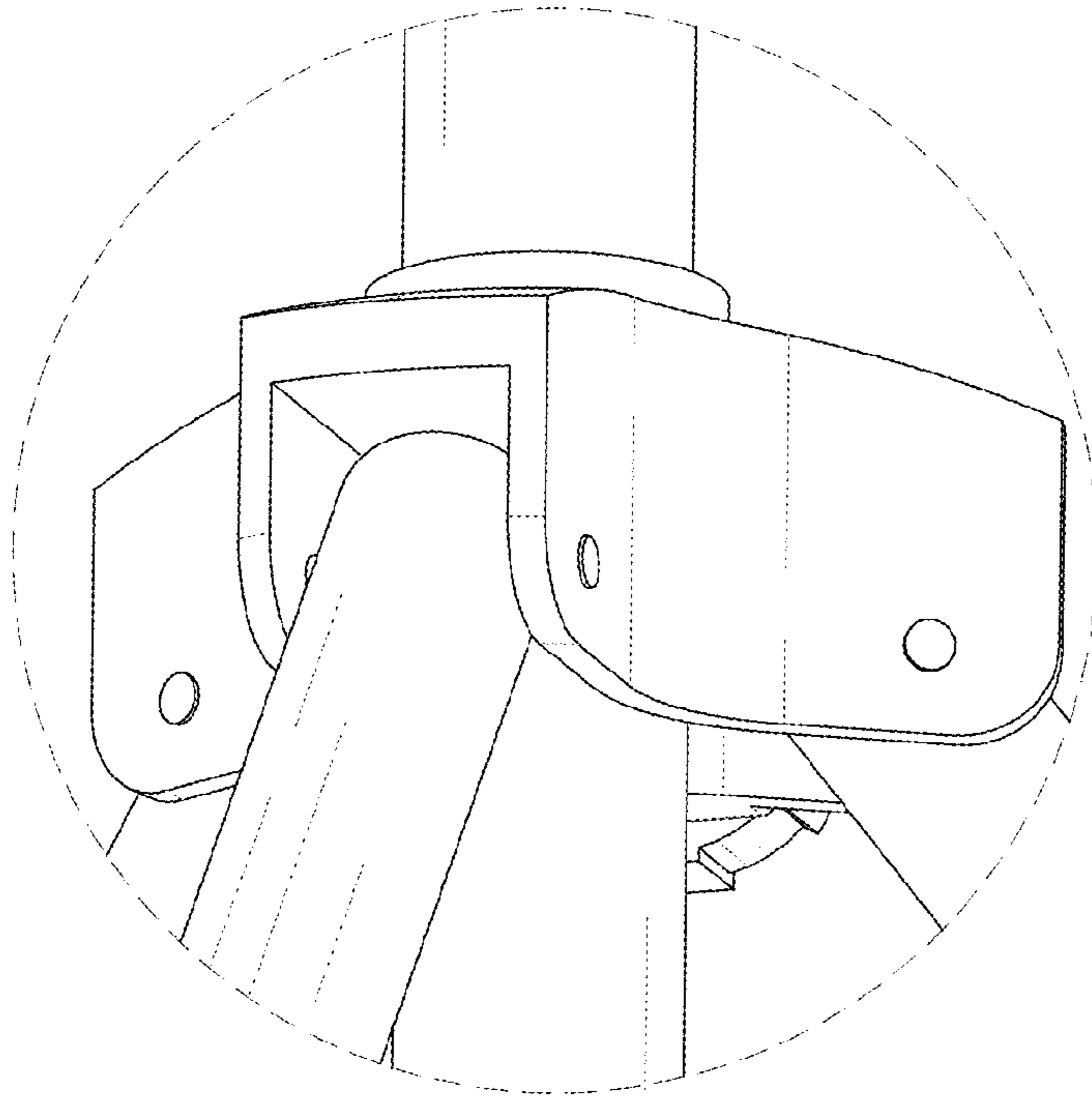


FIG. 17

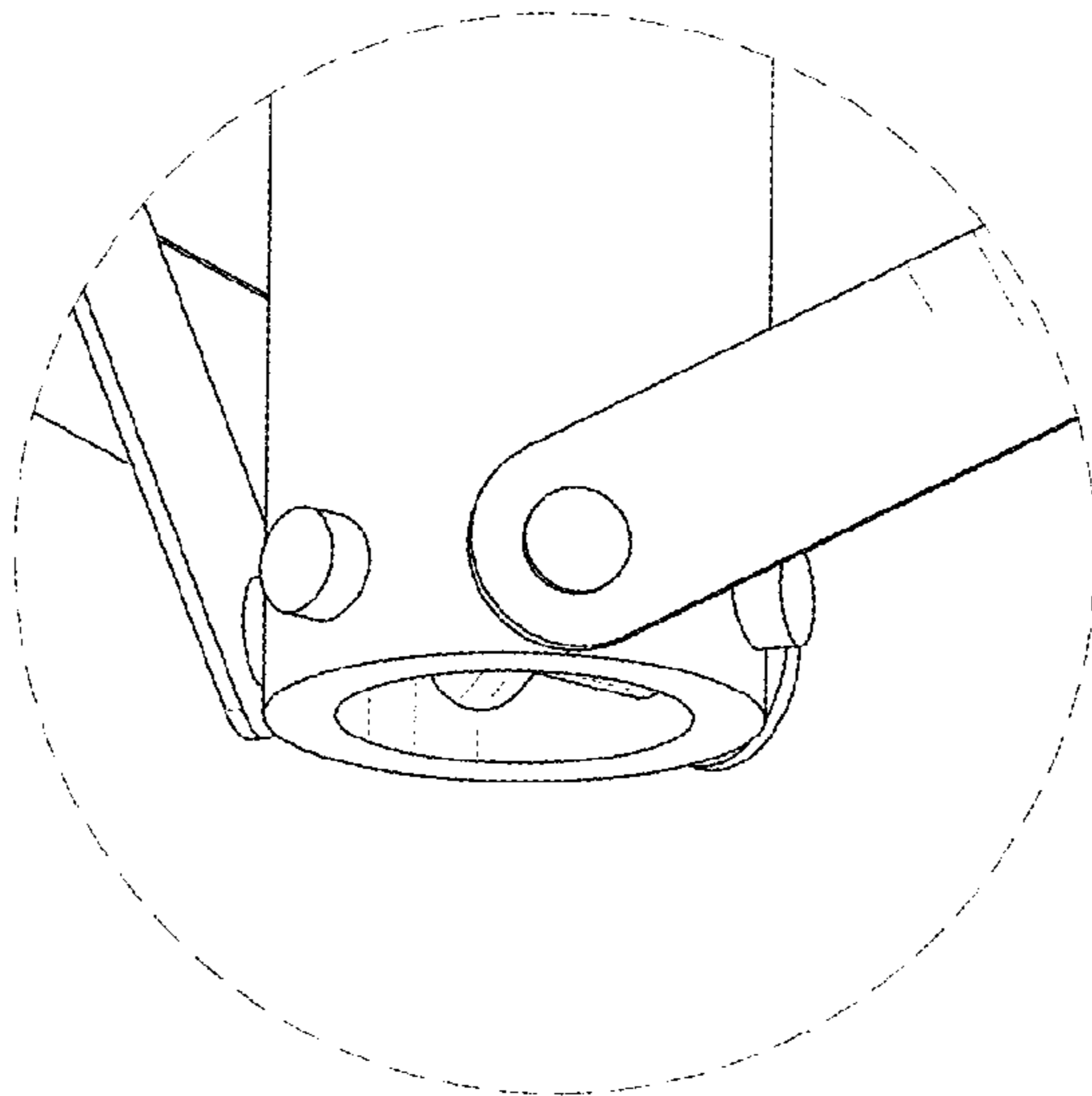


FIG. 18