



US00D985064S

(12) **United States Design Patent** (10) **Patent No.:** **US D985,064 S**
Cantoli-Alves et al. (45) **Date of Patent:** **** May 2, 2023**

(54) **DISH FOR FIDGET DEVICE**

FOREIGN PATENT DOCUMENTS

(71) Applicant: **POPSOCKETS LLC**, Boulder, CO (US)

WO WO-D218422-001 * 2/2022
WO WO-D218422-002 * 2/2022

(72) Inventors: **Vanessa Cantoli-Alves**, Boulder, CO (US); **Ivan Chen**, Boulder, CO (US); **Michael Kory**, Boulder, CO (US); **David Czarnecki**, Boulder, CO (US); **Lawrence Herman Fong**, Boulder, CO (US); **Randy Yang Chiang**, Boulder, CO (US); **David Barnett**, Boulder, CO (US)

OTHER PUBLICATIONS

Poppuck Starter Pack Day Trip, available on Popsockets.com, oldest customer review Nov. 4, 2021 [site visited Mar. 3, 2022], URL: <https://www.popsockets.com/en-us/p/poppuck-starter-pack-day-trip/804842.html> (Year: 2021).*

(Continued)

(73) Assignee: **POPSOCKETS LLC**, Boulder, CO (US)

Primary Examiner — Dana K Weiland

Assistant Examiner — Emily Anna Saunders

(74) *Attorney, Agent, or Firm* — Holland & Hart LLP

(**) Term: **15 Years**

(21) Appl. No.: **29/755,619**

(57) **CLAIM**

(22) Filed: **Oct. 21, 2020**

The ornamental design for a dish for fidget device, as shown and described.

(51) **LOC (14) Cl.** **21-01**

(52) **U.S. Cl.**
USPC **D21/455; D21/461**

(58) **Field of Classification Search**
USPC D7/399, 401, 500, 507, 51, 2, 553.4, D7/553.5, 553.6, 553.8, 554.1, 554.2; D30/129, 132; D21/455, 461; D9/424, D9/434, 499, 601, 60, 2, 550.1; D6/524, D6/532, 536; D23/278
CPC A47G 19/22; A47G 19/2283; A47K 5/00; A47K 5/04; A47K 5/08; A47K 3/024; A63H 33/00; A63H 33/26
See application file for complete search history.

DESCRIPTION

FIG. 1 is a top perspective view of the dish for fidget device according to the present invention;
FIG. 2 is a bottom perspective view thereof;
FIG. 3 is a top view thereof;
FIG. 4 is a bottom view thereof;
FIG. 5 is a front view thereof;
FIG. 6 is a rear view thereof;
FIG. 7 is a left side view thereof, the right side view being a mirror image of the left side view;
FIG. 8 is a cross-sectional view thereof taken in the direction of line 8-8 in FIG. 3; and,
FIG. 9 is a cross-sectional view thereof taken in the direction of line 9-9 in FIG. 3.

(56) **References Cited**

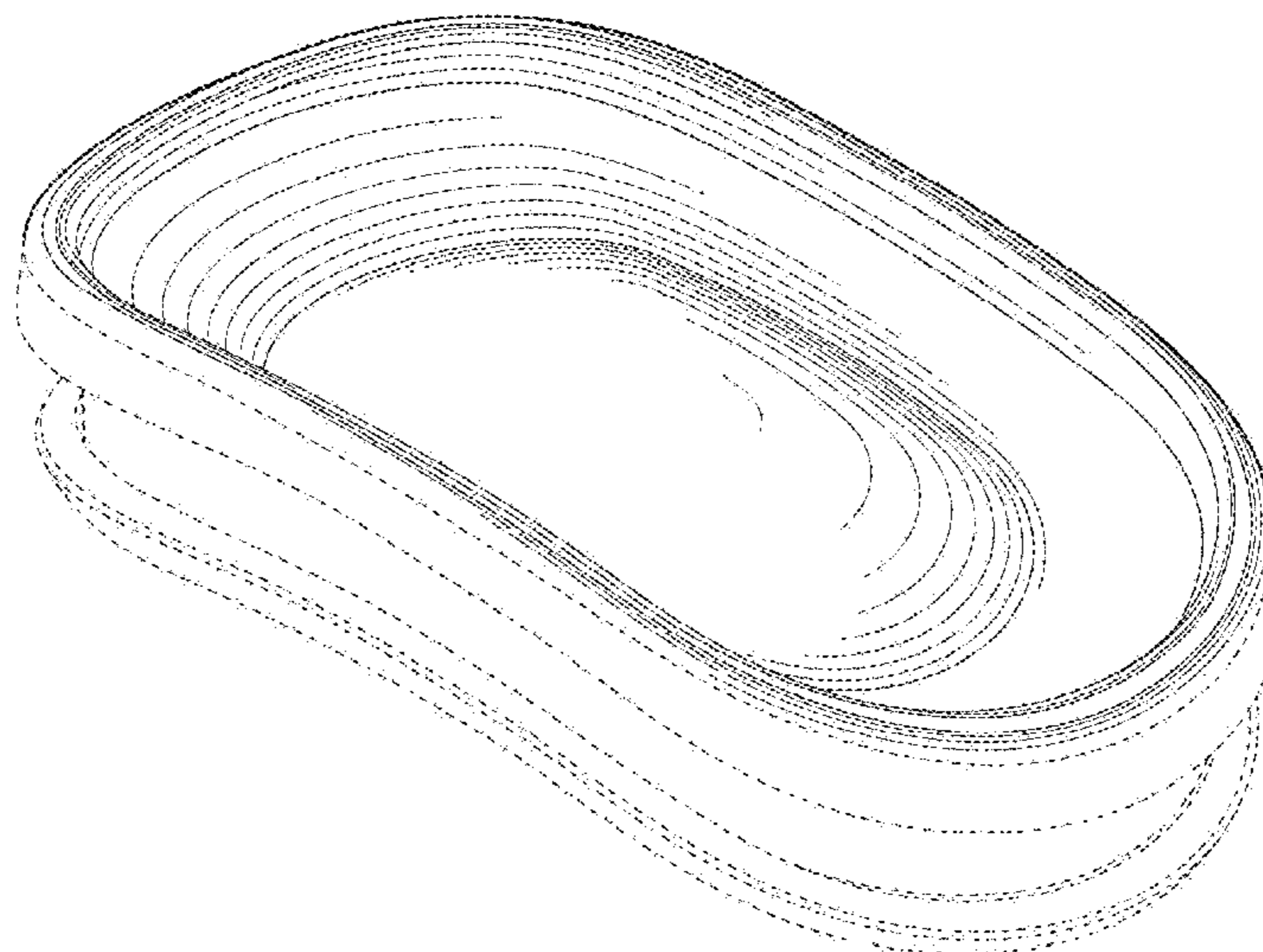
U.S. PATENT DOCUMENTS

2,547,743 A * 4/1951 Burr A47K 3/024
D23/278
D185,787 S * 8/1959 Menghi D23/278
D212,678 S * 11/1968 Swett D7/629

The broken lines shown in the figures depict portions of the dish for fidget device that form no part of the claimed design.

(Continued)

1 Claim, 4 Drawing Sheets



(56)

References Cited

U.S. PATENT DOCUMENTS

D225,886 S * 1/1973 Dolby D7/586
 D245,103 S * 7/1977 Gross D25/36
 D248,357 S * 7/1978 Daenen D7/505
 D257,107 S * 9/1980 Daenen D7/602
 D279,067 S * 6/1985 Kuster D7/554.2
 D286,355 S * 10/1986 Bussell D6/536
 D306,039 S * 2/1990 King D19/75
 D365,483 S * 12/1995 Van Dyk D6/536
 D371,963 S * 7/1996 Ahern, Jr. D7/602
 D373,509 S * 9/1996 Bormioli D7/554.2
 D407,974 S * 4/1999 Zimmer D9/428
 D412,643 S * 8/1999 Cornelissen D7/554.2
 D413,219 S * 8/1999 Glenton Kerr D6/536
 D417,574 S * 12/1999 Ludwig D6/536
 D424,443 S * 5/2000 Panetti D9/455
 D427,432 S * 7/2000 Au D3/265
 D466,762 S * 12/2002 Cote D7/545
 D469,320 S * 1/2003 Pettaweebuncha D7/629
 D480,304 S * 10/2003 Stodd D9/434
 D483,444 S * 12/2003 Lebrun D23/277
 D490,656 S * 6/2004 Levien D7/554.2
 D494,817 S * 8/2004 Rutter D7/545
 D497,774 S * 11/2004 Smith D7/545
 D507,459 S * 7/2005 Angeletti D7/554.1
 D515,873 S * 2/2006 Vendl D7/545
 D524,604 S * 7/2006 Vendl D7/545
 D525,120 S * 7/2006 Maskell D9/428
 D546,925 S * 7/2007 Bruce D23/277
 D595,392 S * 6/2009 Verlinden D23/278
 D610,408 S * 2/2010 Paolini D7/584
 D637,844 S * 5/2011 Kraemer D6/536
 D646,159 S * 10/2011 Bellamah D9/424
 D650,238 S * 12/2011 Klein D7/554.2
 D665,253 S * 8/2012 Bellamah D9/424

D670,450 S * 11/2012 Graves D30/129
 D674,688 S * 1/2013 Loftin D9/428
 D679,547 S * 4/2013 Chen D7/545
 D697,764 S * 1/2014 Carlson D7/602
 D710,486 S * 8/2014 Sundberg D23/278
 D745,645 S * 12/2015 Burke D23/277
 D750,441 S * 3/2016 Hartmann D7/553.5
 D757,458 S * 5/2016 Snell D6/536
 D811,215 S * 2/2018 Wu D9/428
 D815,717 S * 4/2018 Urquiola Hidalgo D23/293.1
 D943,068 S * 2/2022 Kang D23/277
 D948,002 S * 4/2022 Bélanger D23/277
 2022/0096949 A1 * 3/2022 Cantoli-Alves A63H 33/26

OTHER PUBLICATIONS

Poppuck Starter Pack Day Trip, available on popsockets.com, Wayback Machine date Nov. 27, 2021, oldest customer review Jan. 19, 2022, [site visited Mar. 3, 2022], URL: <https://web.archive.org/web/20211127023510/https://www.popsockets.com/en-us/p/poppuck-starter-pack-black-flip/804839.html> (Year: 2021).*

Woosha! Ohana Mini Fidget Dish, available on worthpoint.com, [site visited Mar. 3, 2022], URL: <https://www.worthpoint.com/worthopedia/woosah-ohana-mini-fidget-spinner-1926210534> (Year: 2022).*

Avenue 36cm Oval Platter White, available on myer.com.au, Wayback Machine date Oct. 20, 2020, oldest customer review 2021, [site visited Mar. 3, 2022], URL: <https://web.archive.org/web/20201020055602/https://www.myer.com.au/p/heritage-avenue-oval-platter-white-36cm> (Year: 2020).*

Mason Cash William Baking Dish, available on biscoes.co.nz, [site visited Mar. 3, 2022], URL: <https://www.biscoes.co.nz/product/1089102/mason-cash-william-mason-white-rectangle-baking-dish-28cm/> (Year: 2022).*

* cited by examiner

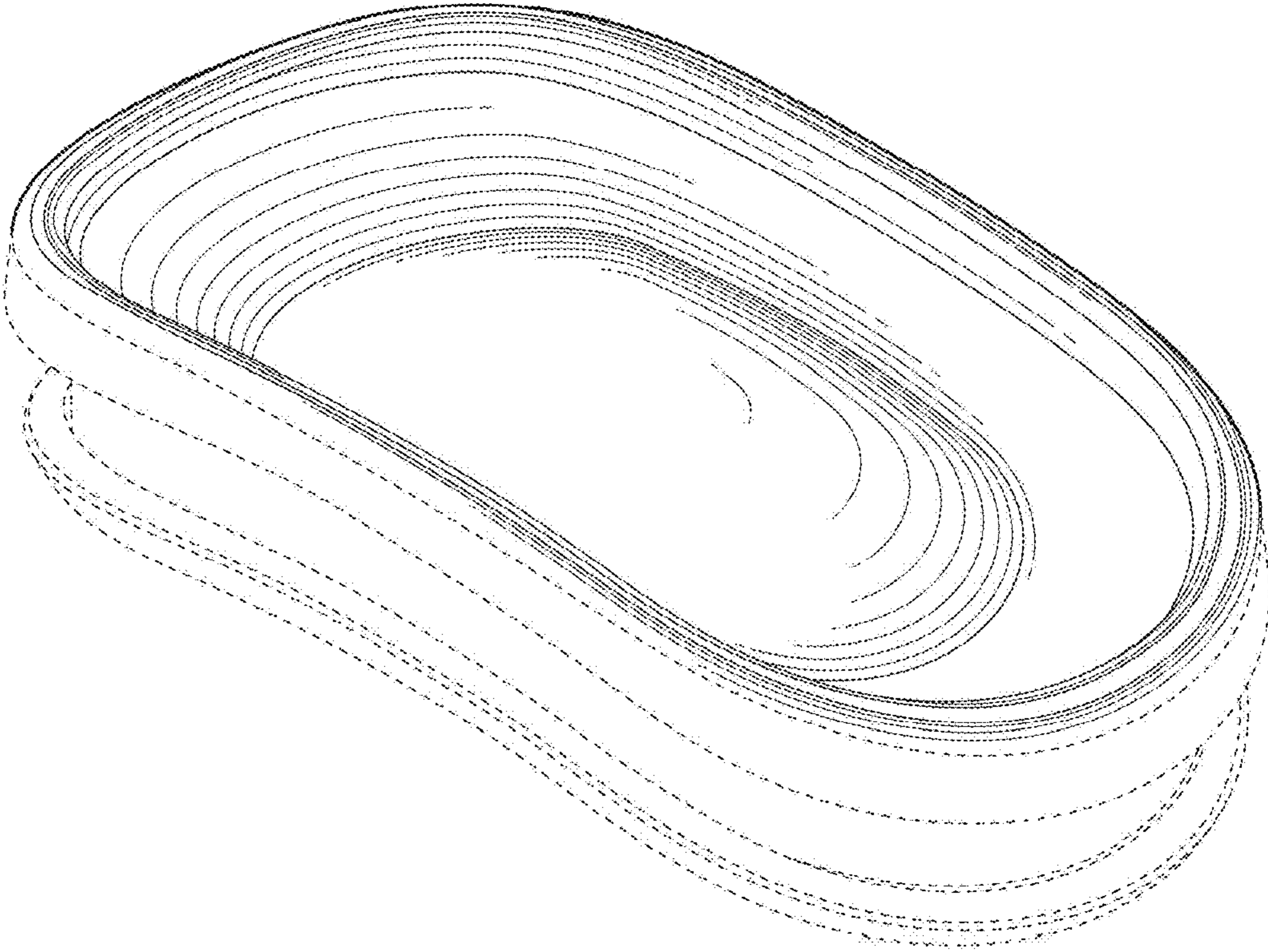


FIG. 1

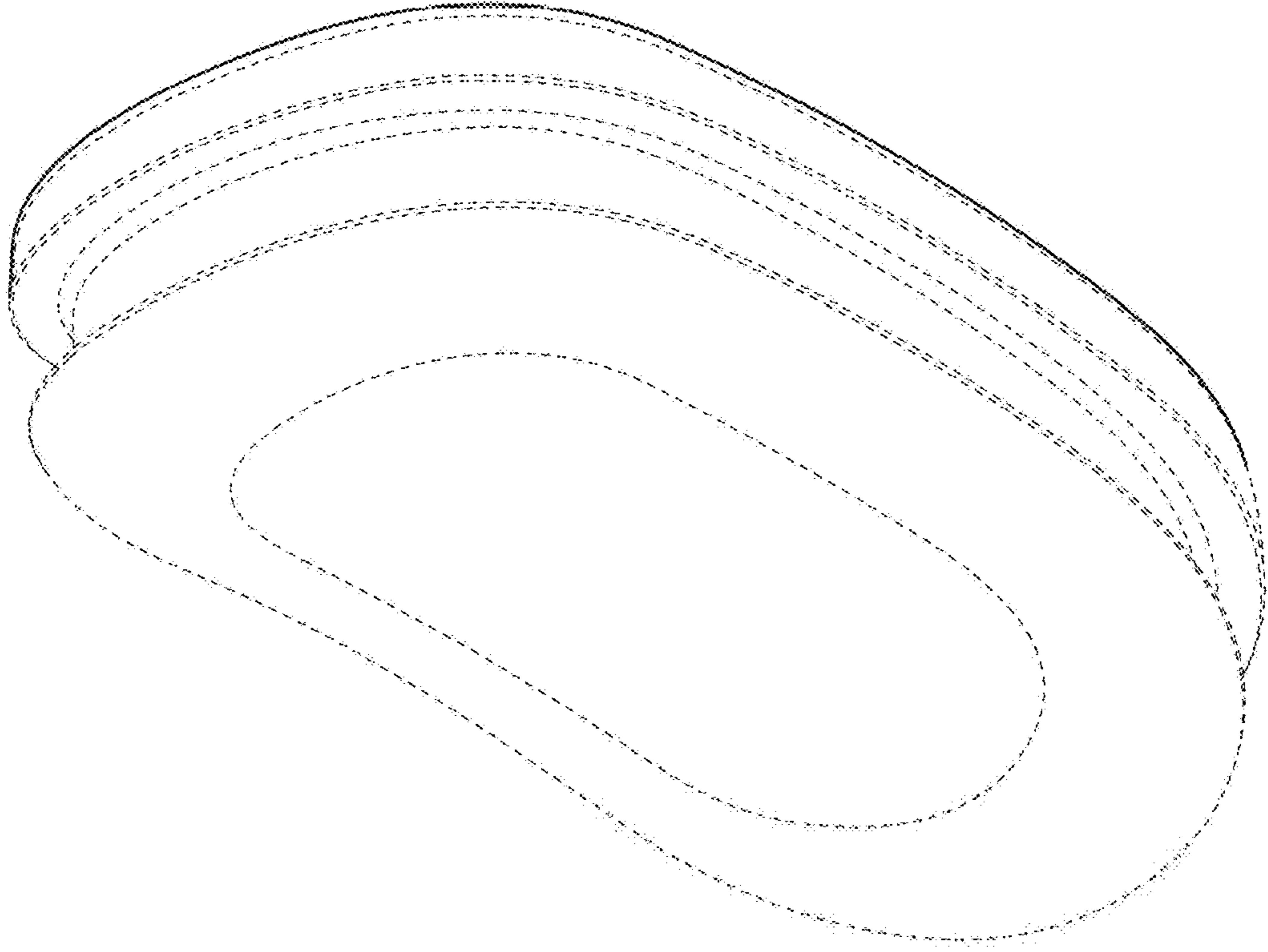


FIG. 2

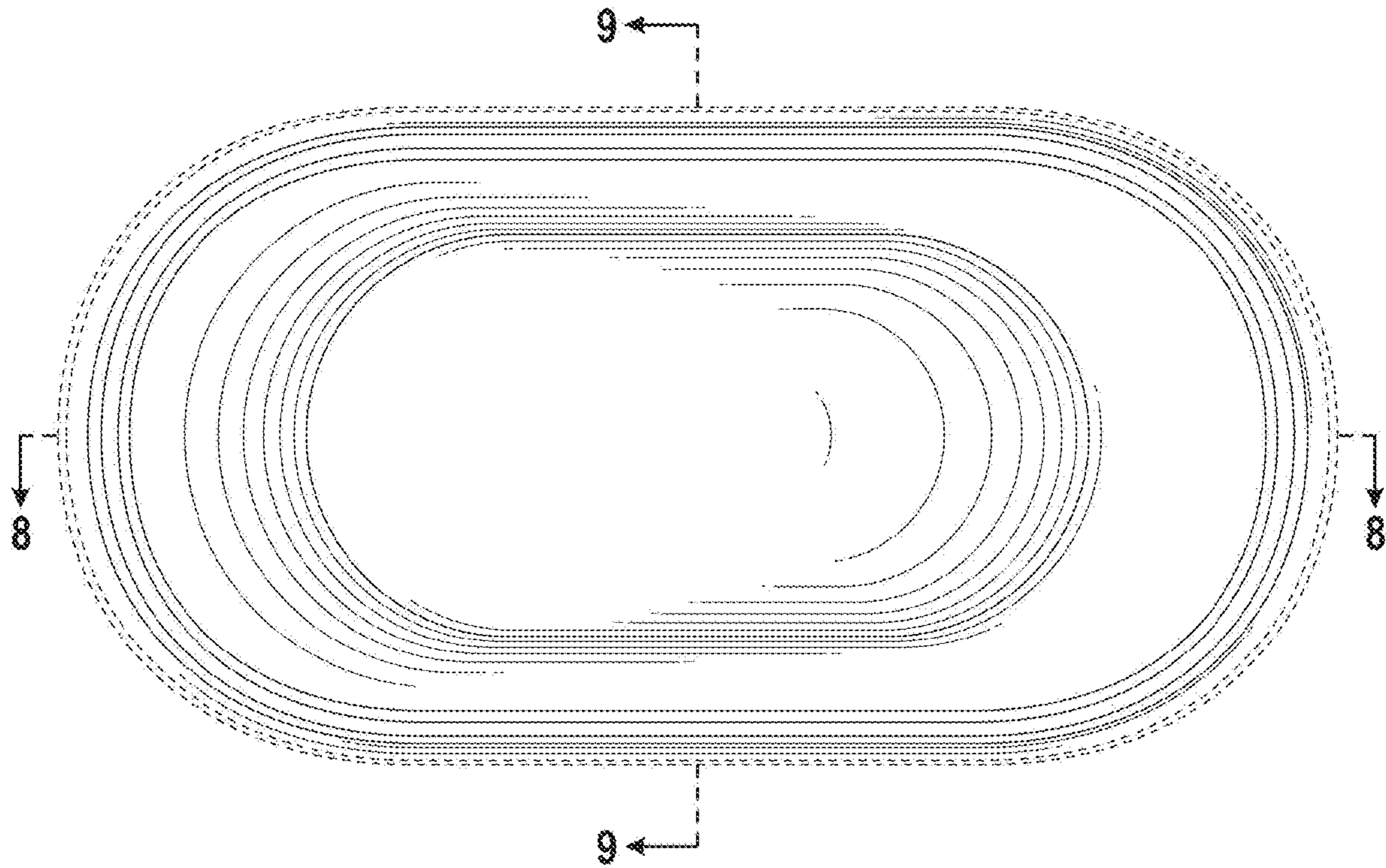


FIG. 3

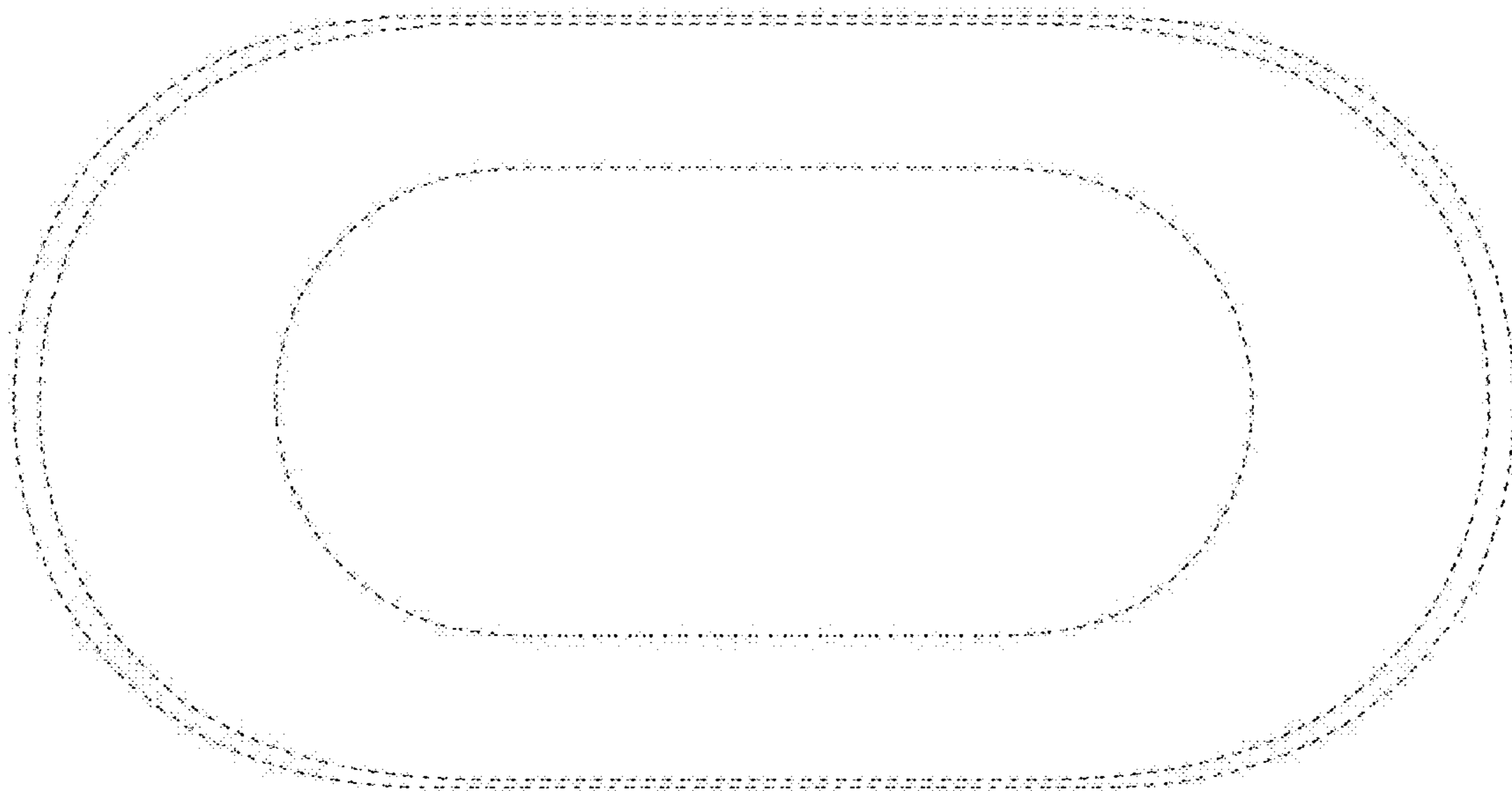


FIG. 4

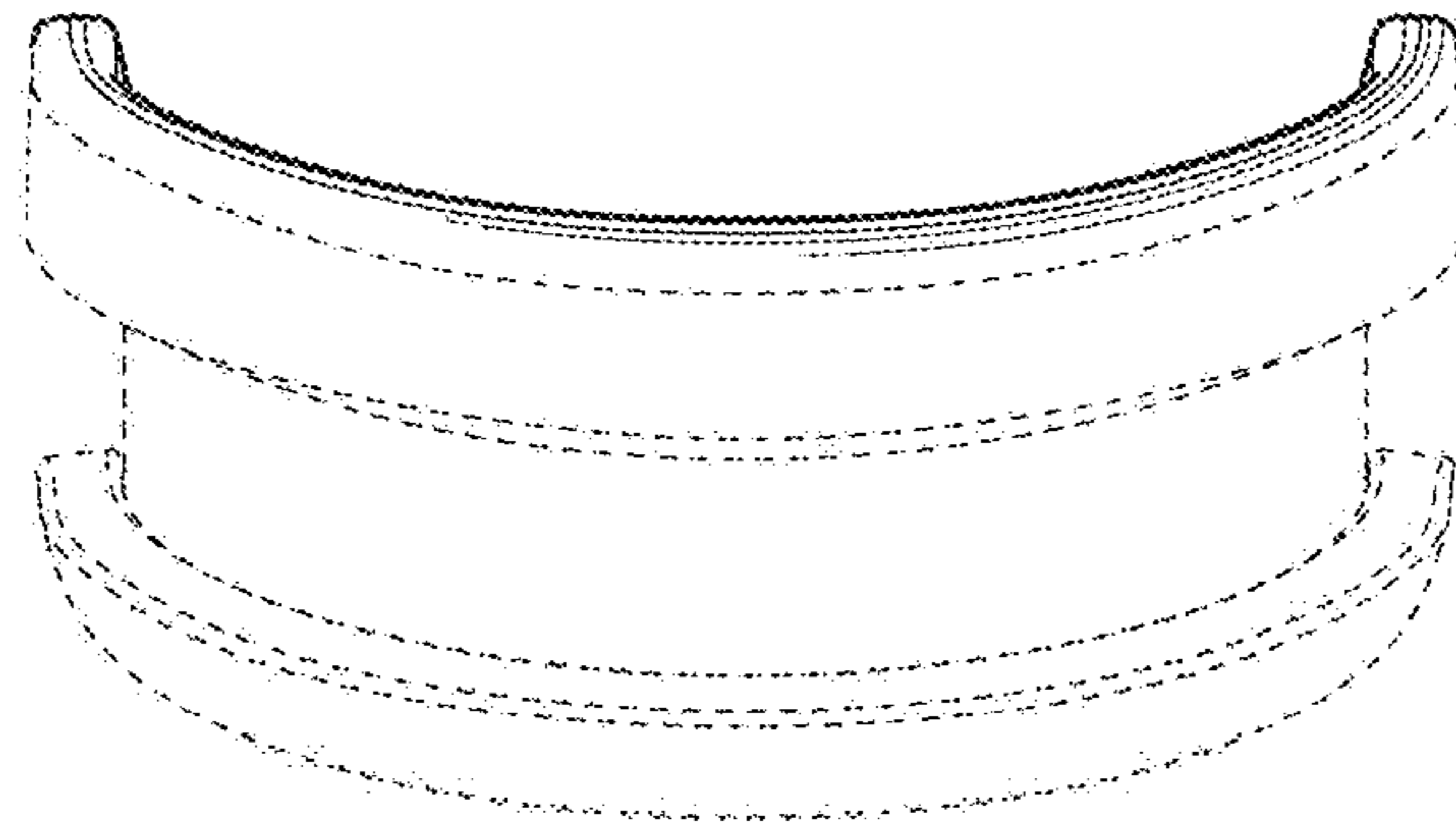


FIG. 5

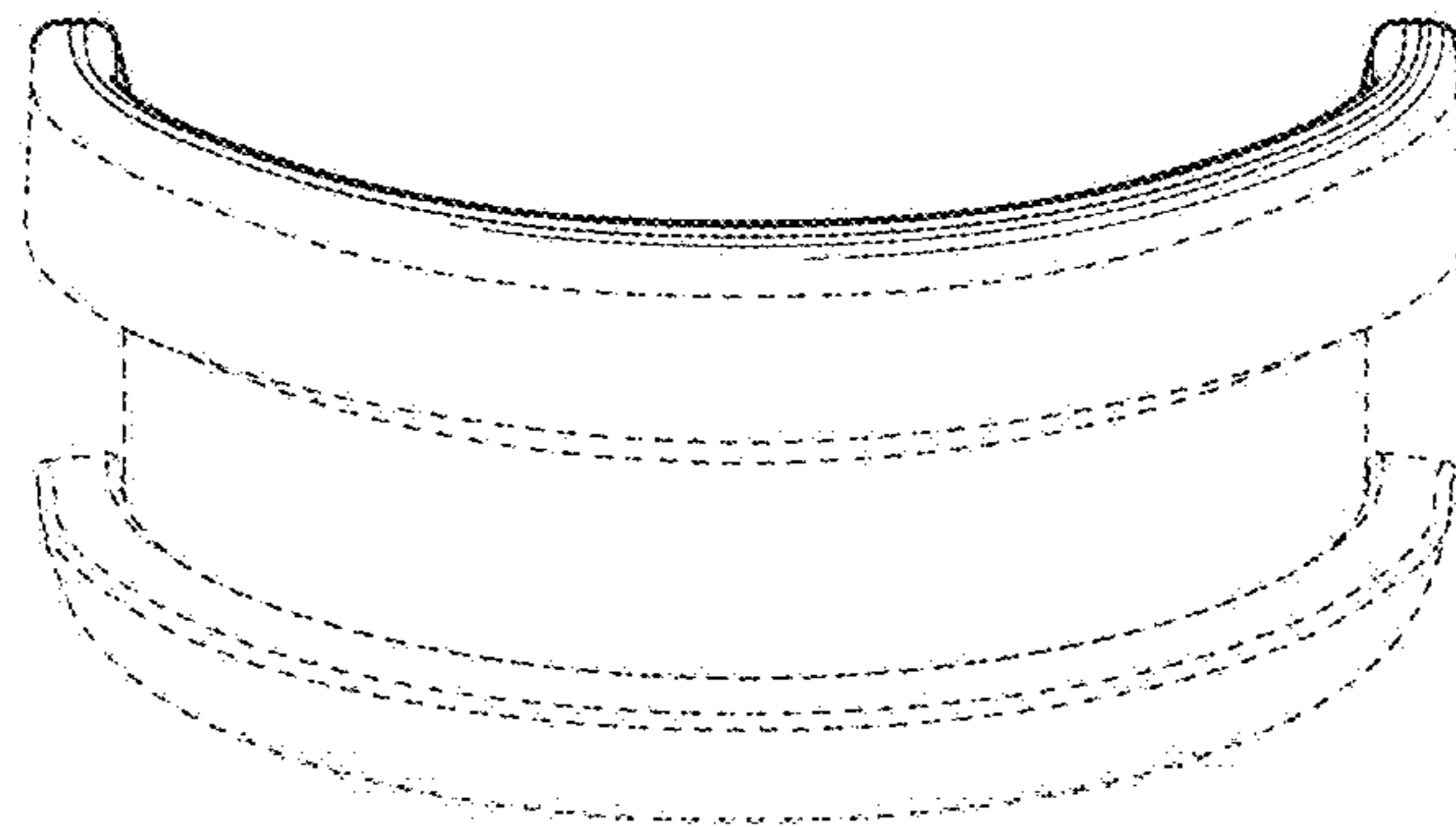


FIG. 6

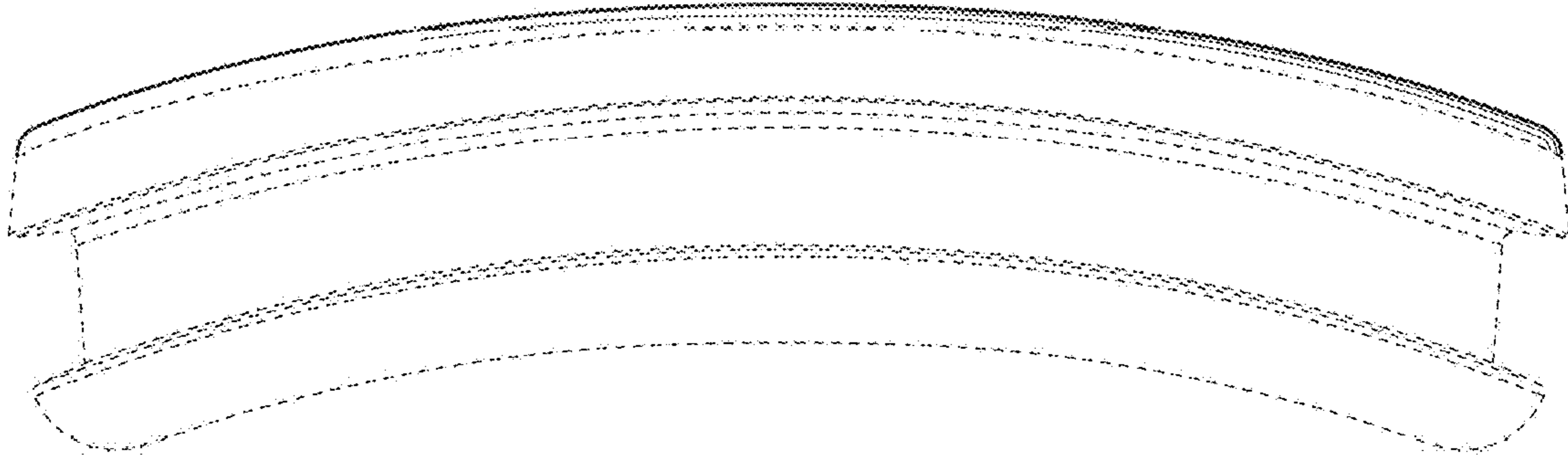


FIG. 7

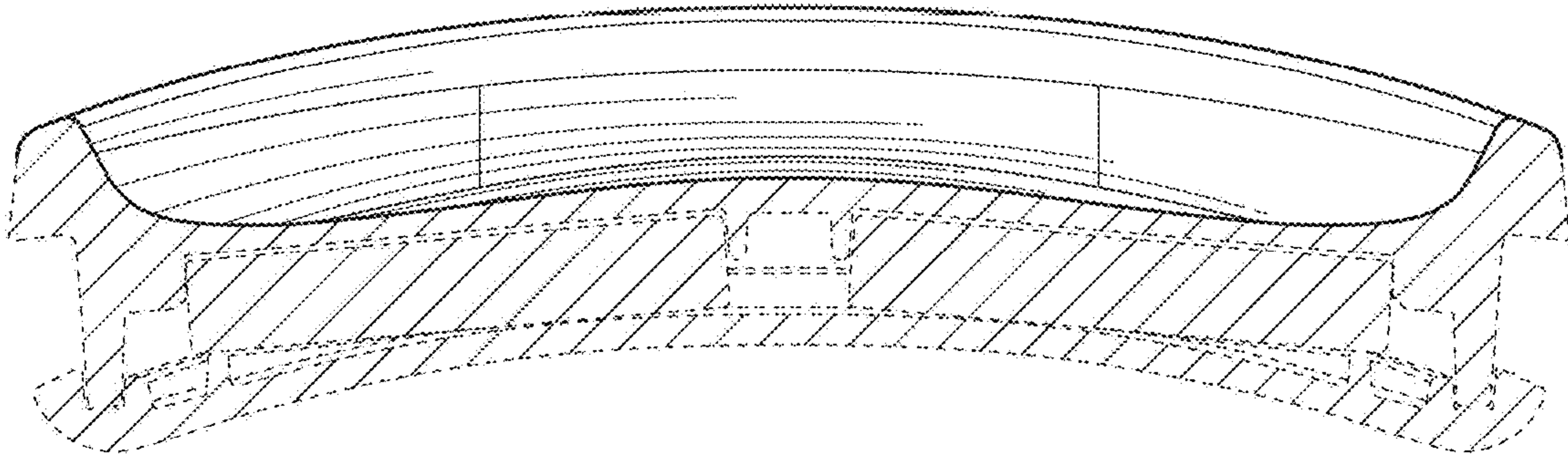


FIG. 8

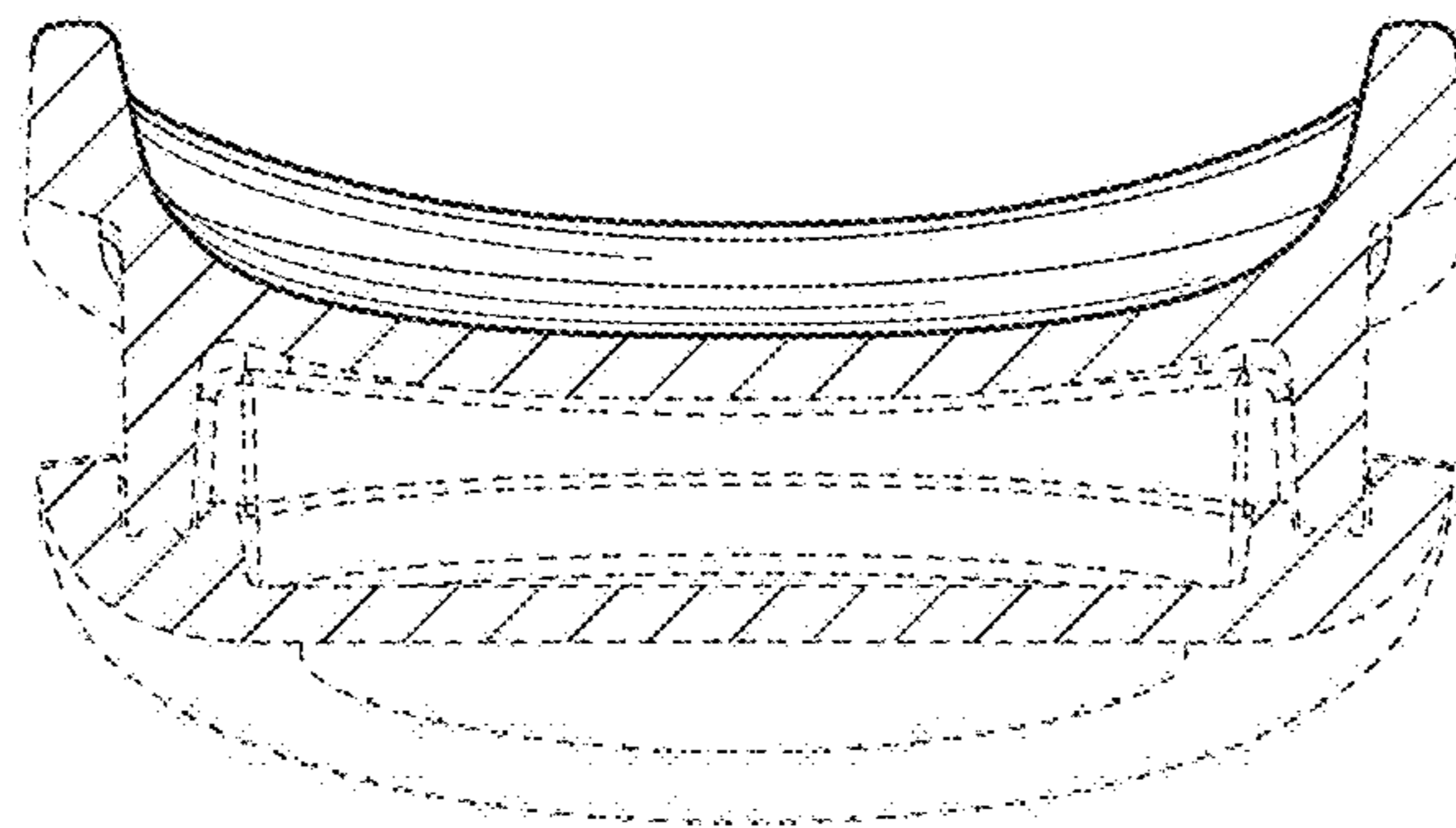


FIG. 9