



US00D985062S

(12) **United States Design Patent**
Lv et al.

(10) **Patent No.:** **US D985,062 S**

(45) **Date of Patent:** **** May 2, 2023**

(54) **KIDS SCOOTER**

(71) Applicant: **Jinhua Wei Xi Imp. & Exp. Trading Co., Ltd., Jinhua (CN)**

(72) Inventors: **Quanrong Lv, Lu 'an (CN); Siqiao Chen, Lu 'an (CN)**

(**) Term: **15 Years**

(21) Appl. No.: **29/805,293**

(22) Filed: **Aug. 26, 2021**

(51) **LOC (14) Cl.** **21-01**

(52) **U.S. Cl.**
USPC **D21/423**

(58) **Field of Classification Search**
USPC D21/419, 421, 423, 432, 435, 760, 763, D21/771; D12/1, 110
CPC . B62K 3/002; B62K 9/00; B62K 9/26; B62K 2202/00; B62K 15/00; B62K 2015/001; B62K 2015/003; B62K 13/00; B60Y 2200/126; B62B 7/00; B62B 7/04; B62B 7/06

See application file for complete search history.

(56) **References Cited**

U.S. PATENT DOCUMENTS

D571,864 S *	6/2008	On	D21/424
D749,174 S *	2/2016	O Connell	D21/423
9,545,969 B2 *	1/2017	Byrne	B62K 9/02
D785,716 S *	5/2017	Herlitz	D21/423
9,783,253 B2 *	10/2017	Ouboter	B62K 13/00
9,809,272 B2 *	11/2017	Mazoyer	B62K 3/002
D842,384 S *	3/2019	Kirchschlager	D21/419
10,308,270 B2 *	6/2019	Joos	B62B 9/26
D860,330 S	9/2019	Xu		
D877,815 S *	3/2020	Aslan	D21/426
D884,800 S *	5/2020	Zhang	D21/423
D885,492 S *	5/2020	Zhang	D21/423

10,723,405 B2 *	7/2020	Kirchschlager	B62K 15/006
D908,808 S *	1/2021	Wang	D21/423
D914,104 S *	3/2021	Mazoyer	D21/423
D921,767 S	6/2021	Singh et al.		

FOREIGN PATENT DOCUMENTS

CN	306703679 S	1/2023
CN	306712334 S	1/2023

* cited by examiner

Primary Examiner — Cynthia M. Chin

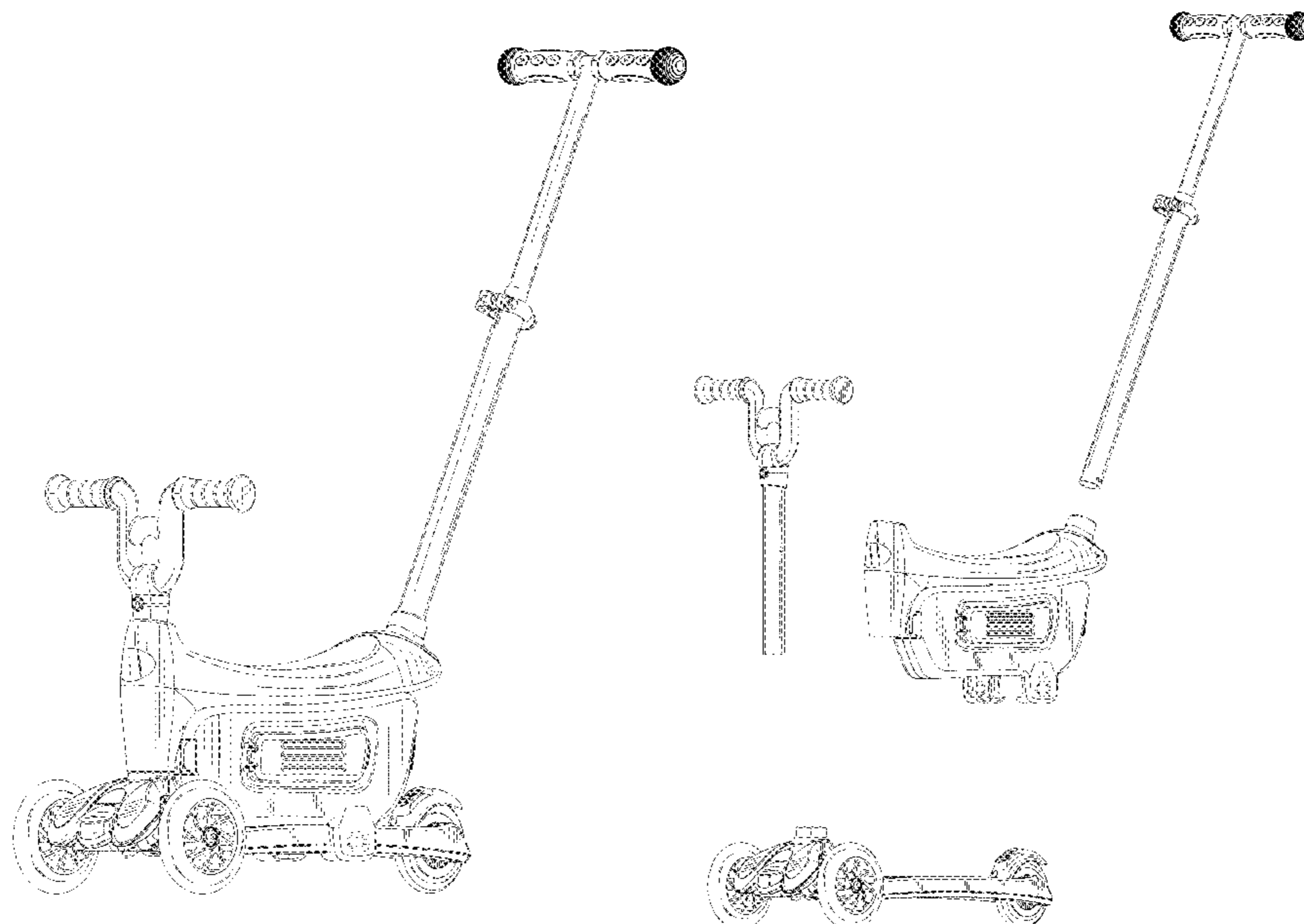
(57) **CLAIM**

The ornamental design for a kids scooter, as shown and described.

DESCRIPTION

FIG. 1 is a front and right side perspective view of a kids scooter showing my new design;
 FIG. 2 is a front elevational view thereof;
 FIG. 3 is a rear elevational view thereof;
 FIG. 4 is a right side elevational view thereof;
 FIG. 5 is a left side elevational view thereof;
 FIG. 6 is a top plan view thereof;
 FIG. 7 is a bottom plan view thereof;
 FIG. 8 is a rear and right side perspective view thereof;
 FIG. 9 is a right side view in an alternate configuration with the seat and t-shaped handle removed;
 FIG. 10 is a right side view in an alternate configuration with the seat and y-shaped handle removed;
 FIG. 11 is a right side view in an alternate configuration with the t-shaped handle removed; and,
 FIG. 12 is an exploded view thereof.
 The broken lines in the drawings illustrate the portions of the kids scooter, which form no part of the claimed design.

1 Claim, 12 Drawing Sheets



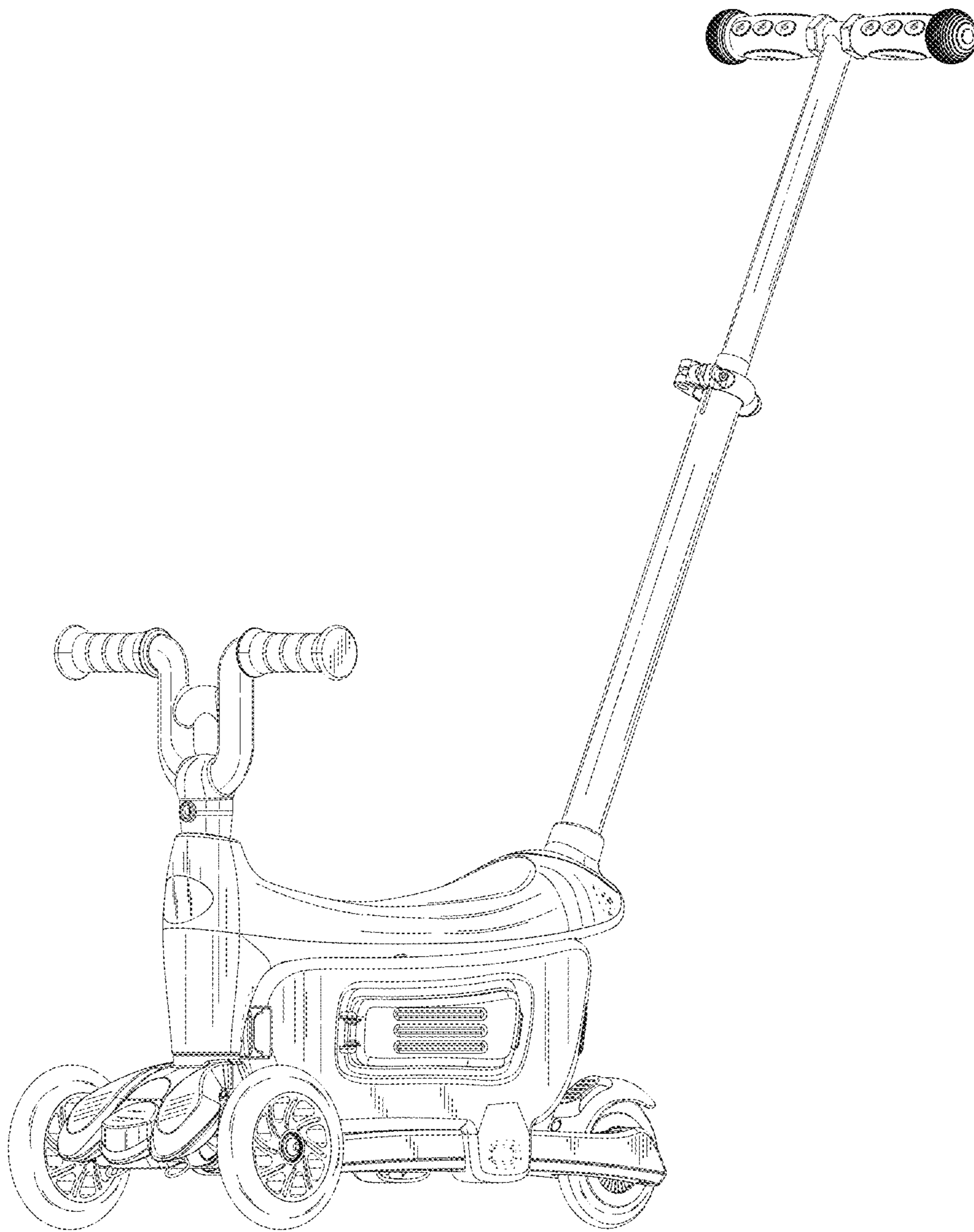


FIG.1

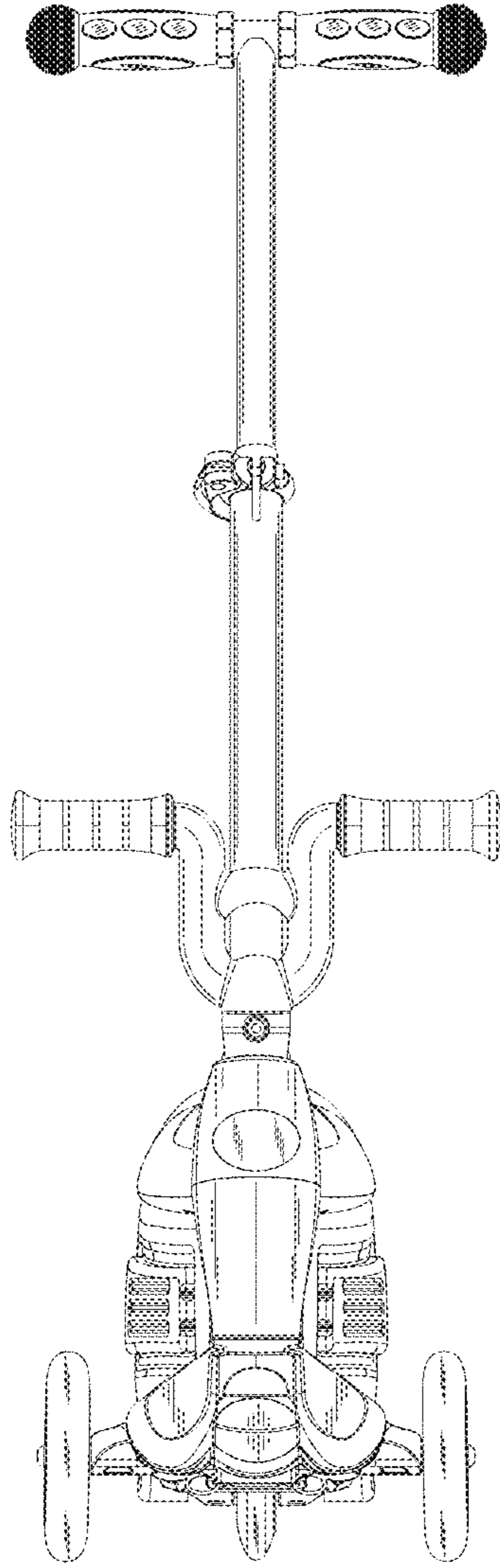


FIG.2

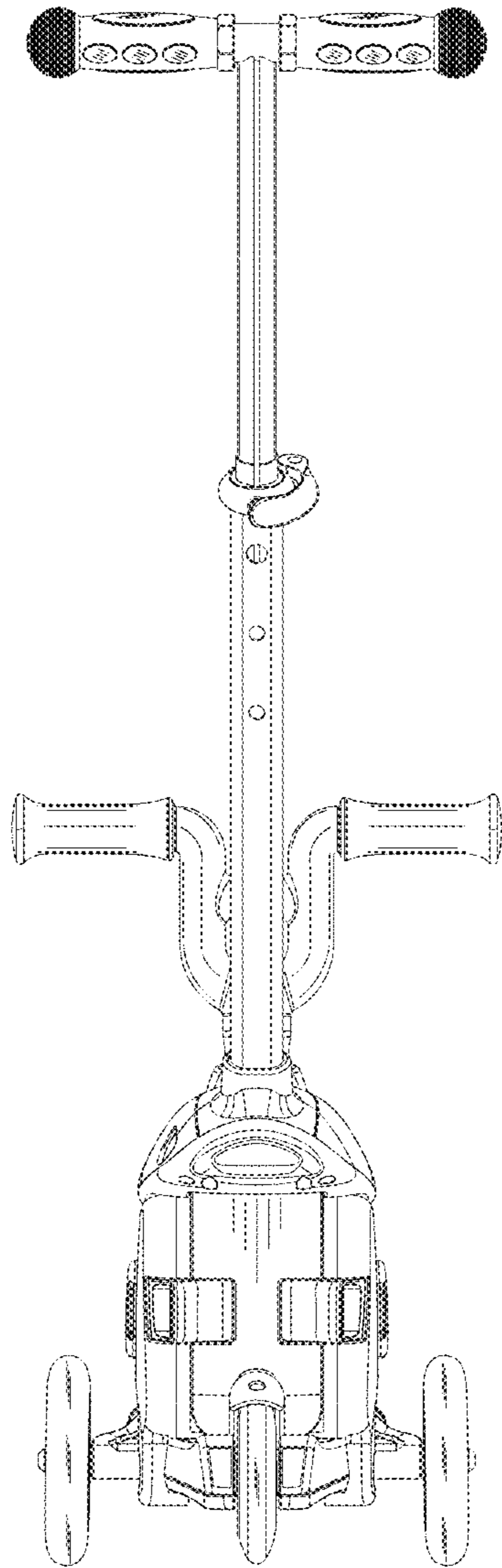


FIG.3

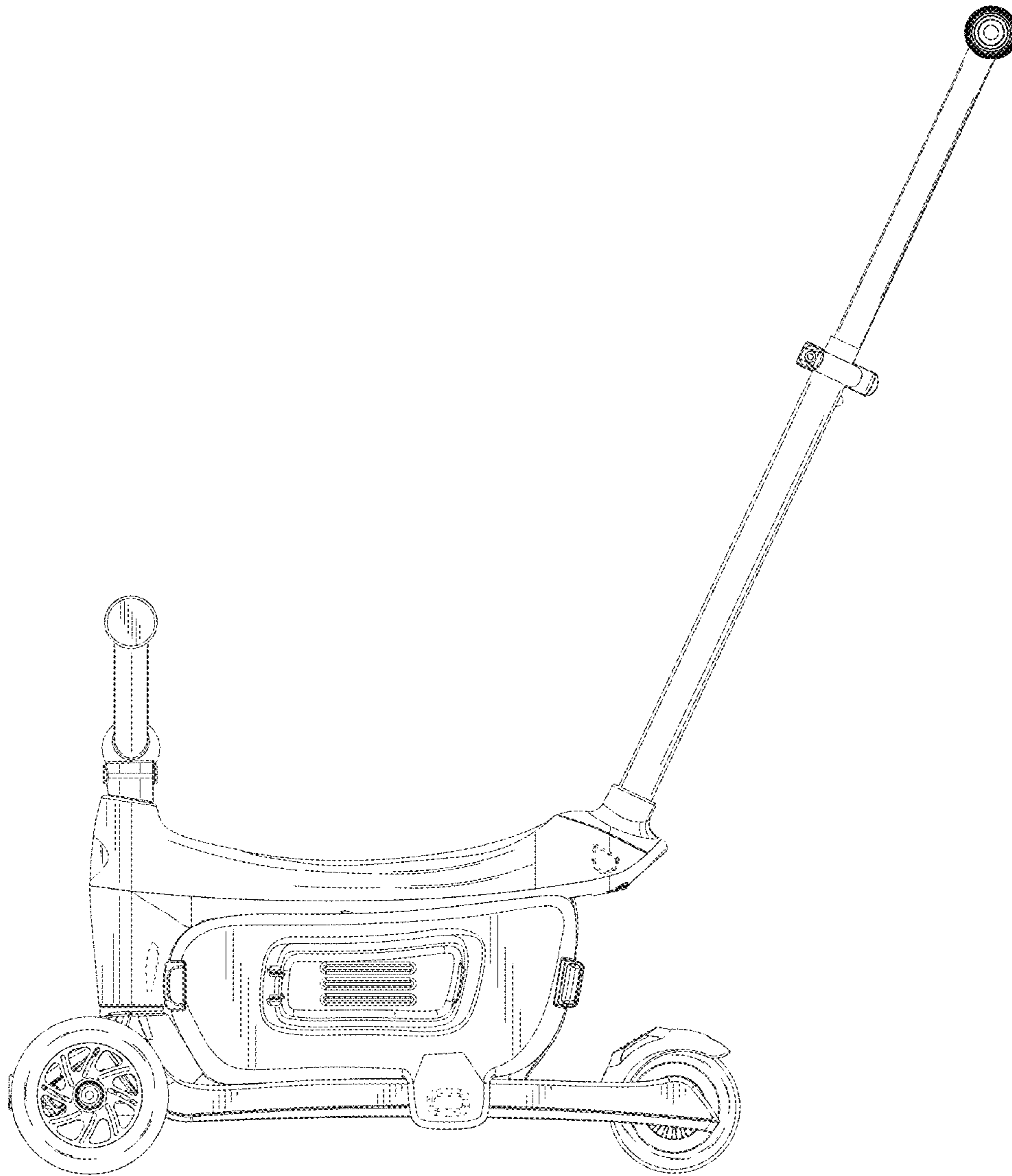


FIG.4

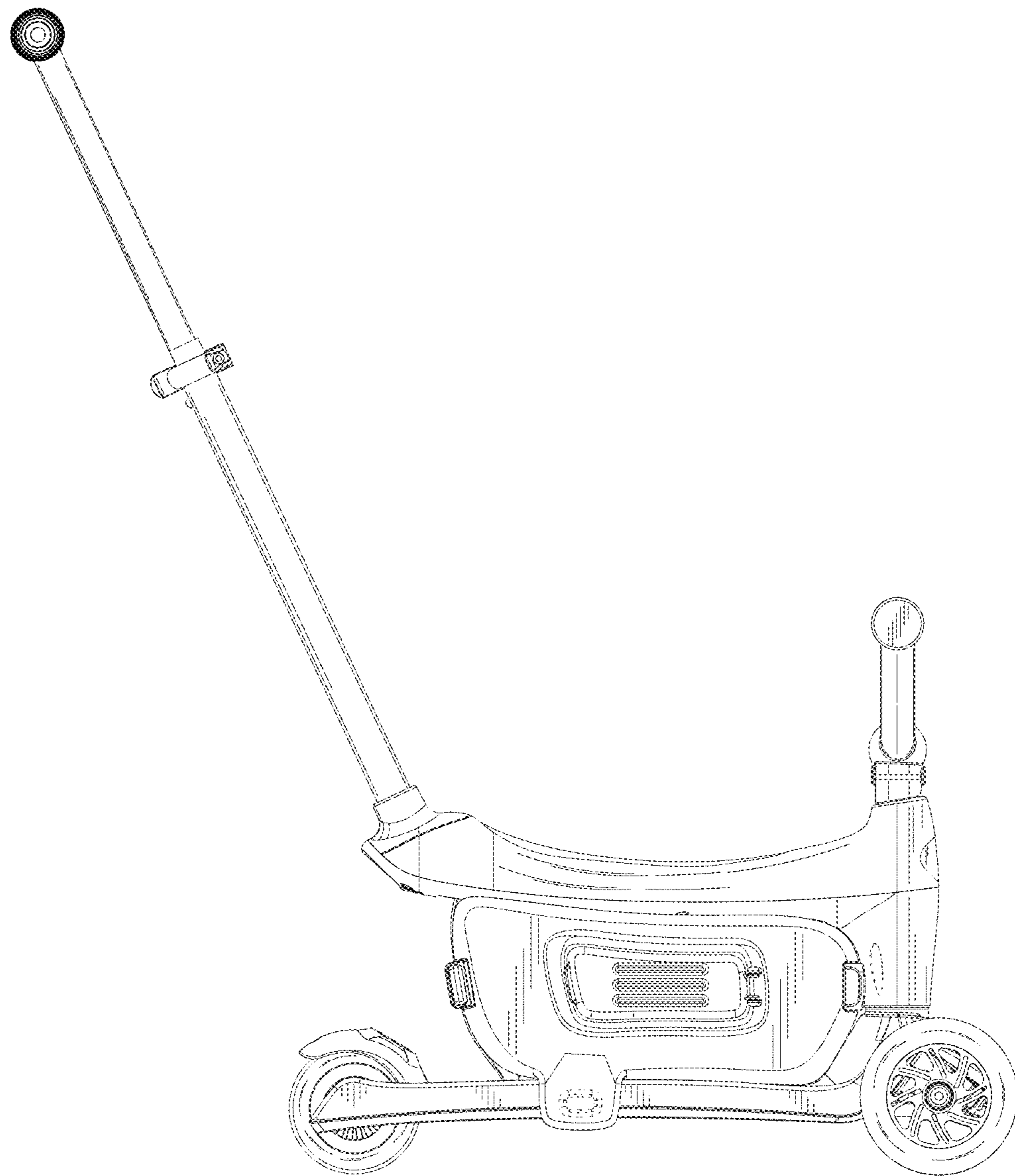


FIG.5

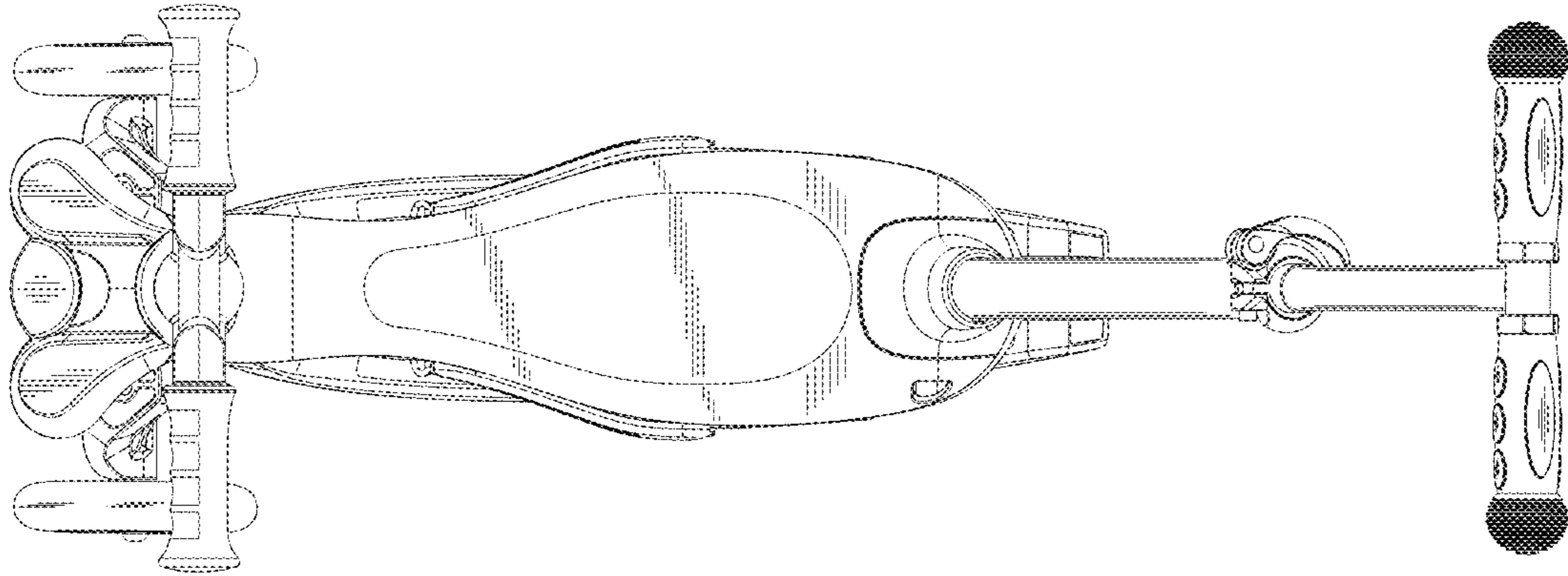


FIG.6

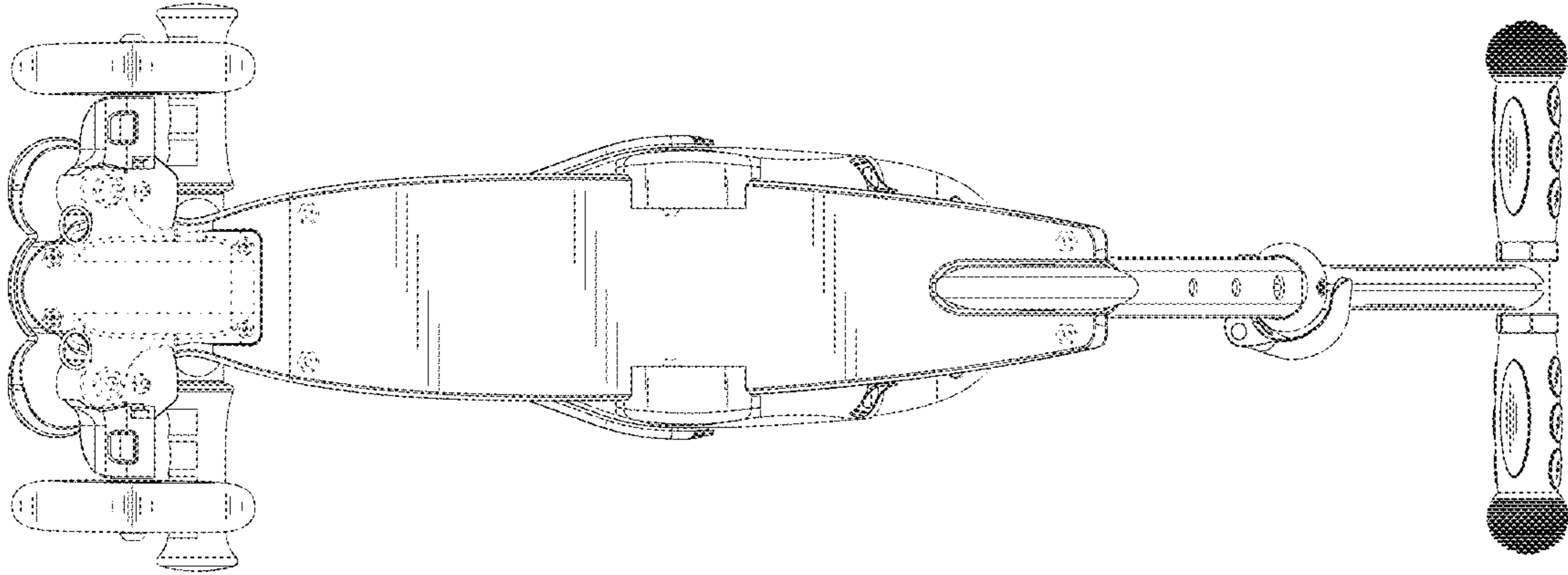


FIG.7

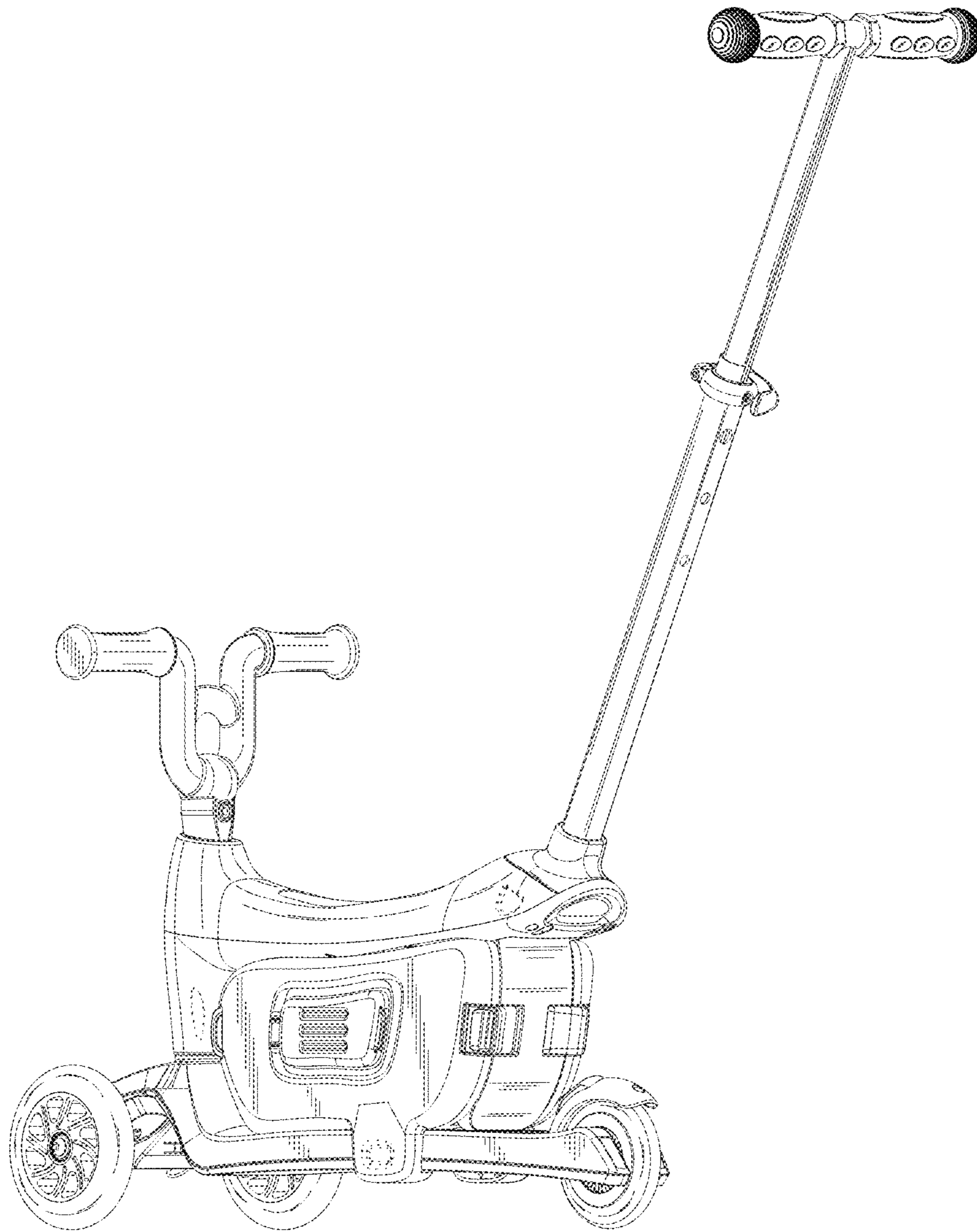


FIG.8

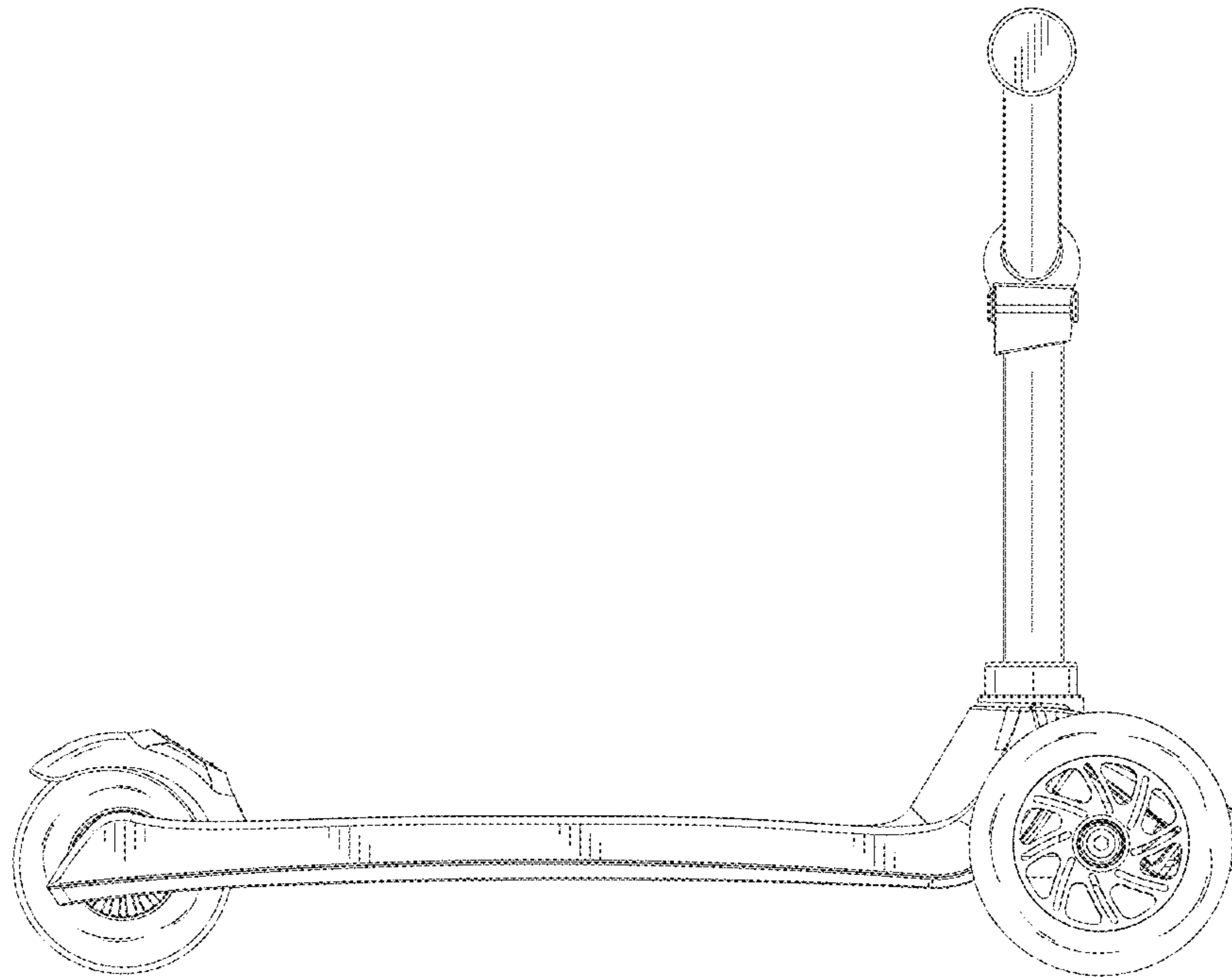


FIG. 9

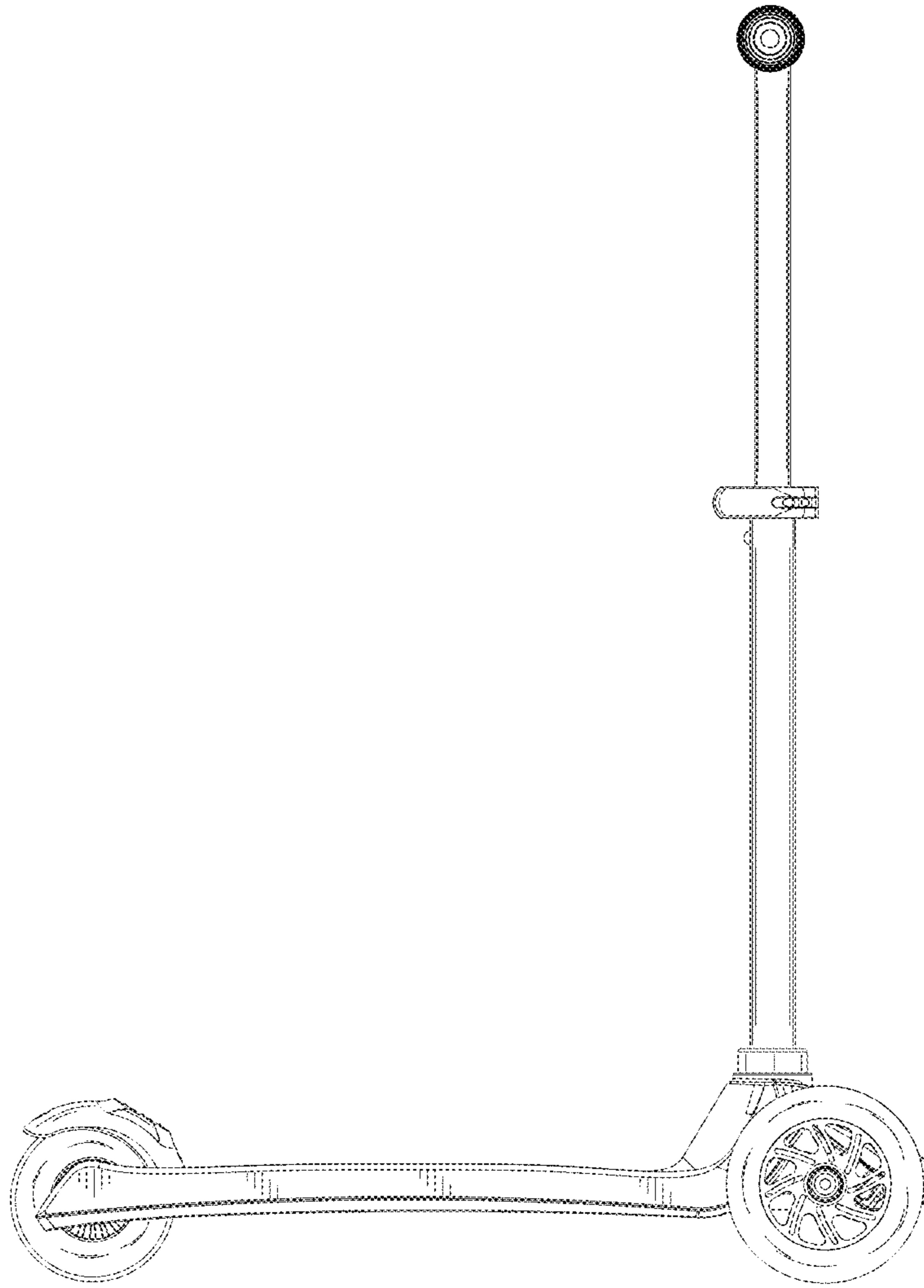


FIG.10

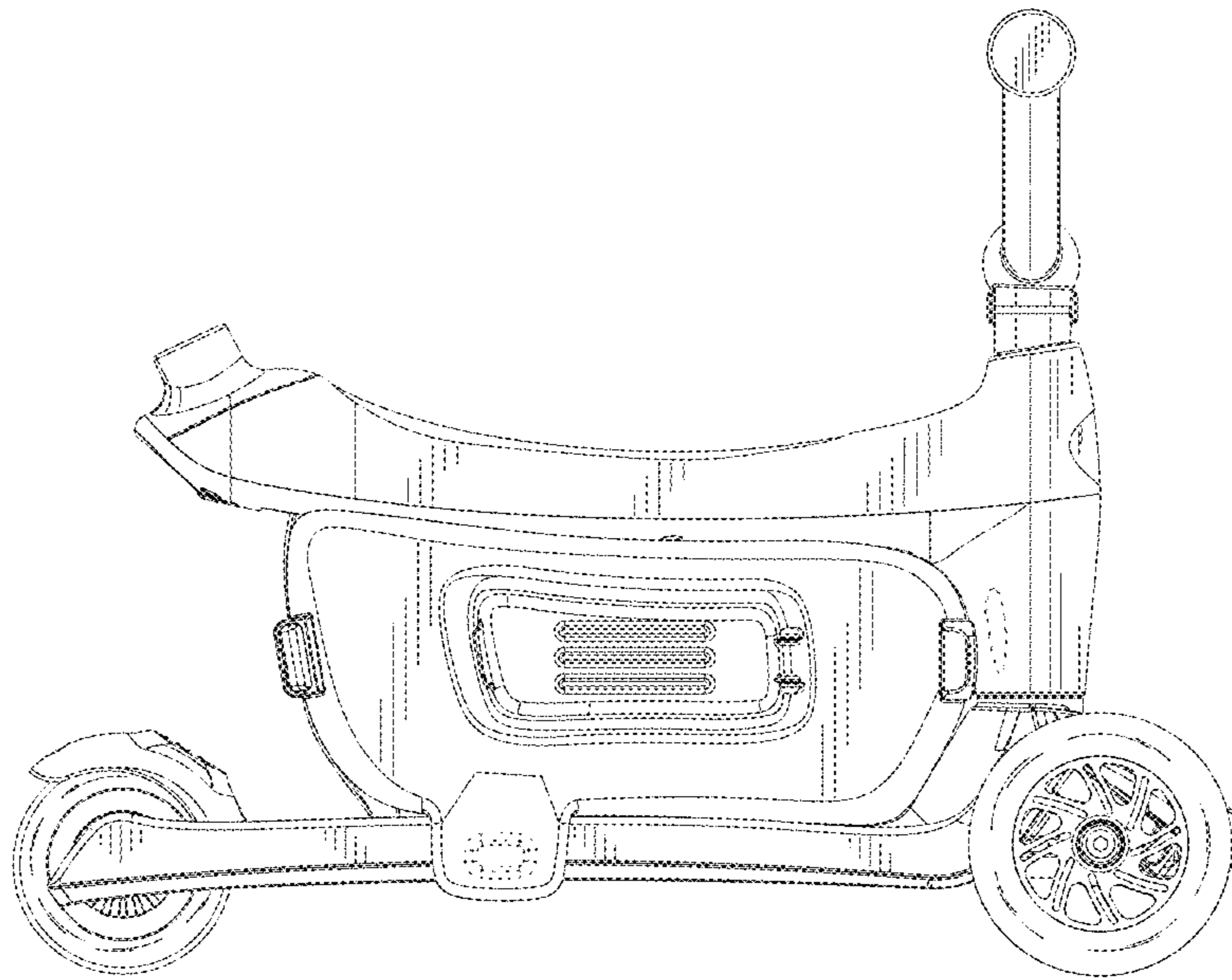


FIG.11

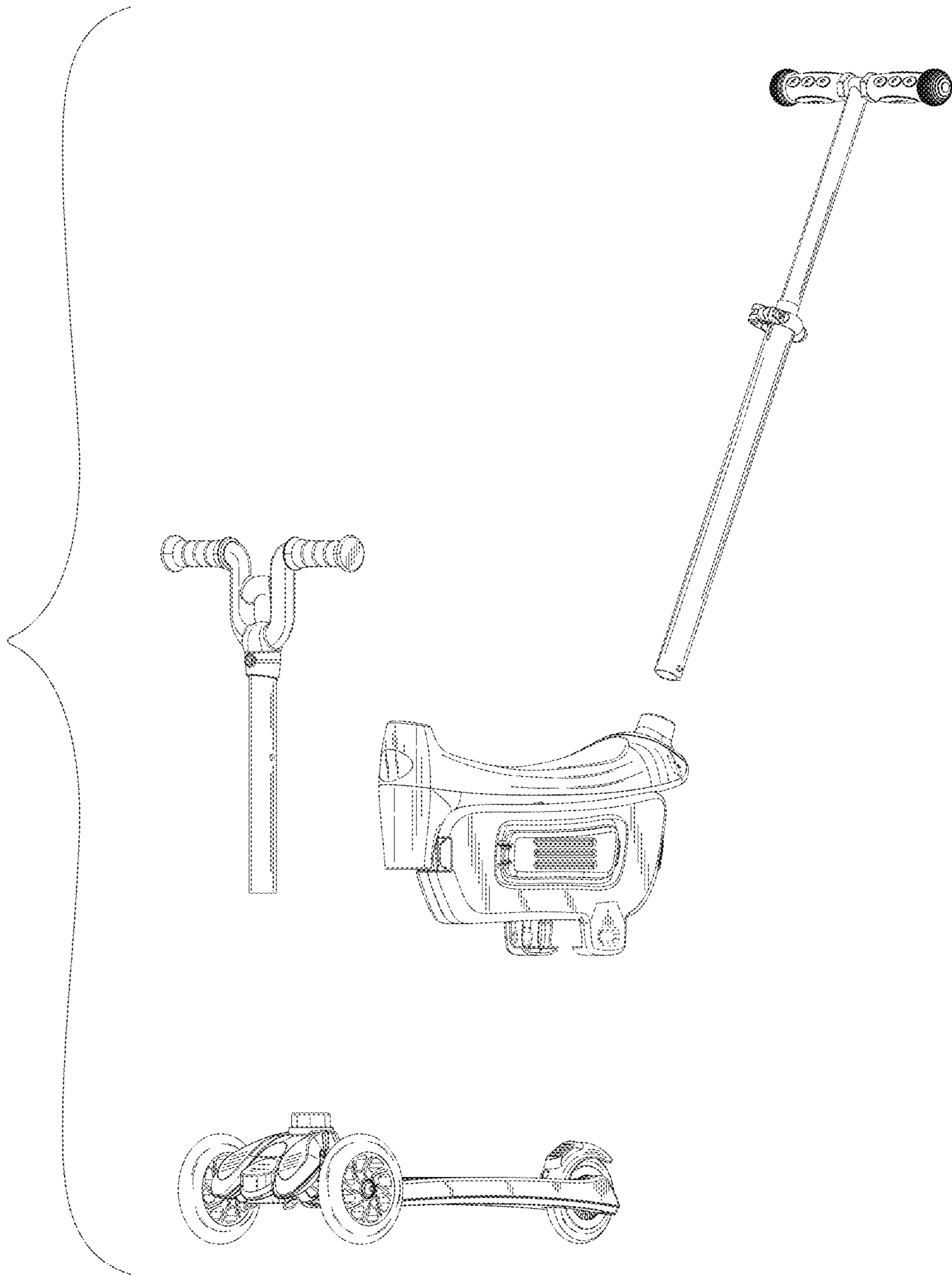


FIG.12