



US00D985061S

(12) **United States Design Patent**
Karlsson

(10) **Patent No.:** **US D985,061 S**
(45) **Date of Patent:** **** May 2, 2023**

(54) **GAMING TABLE**

D956,459 S * 7/2022 Risdall D6/691
D966,751 S * 10/2022 Huo D6/656
D970,927 S * 11/2022 Hu D6/656.16

(71) Applicant: **Inter IKEA Systems B.V.**, LN Delft
(NL)

(72) Inventor: **Jon Karlsson**, Lund (SE)

(73) Assignee: **Inter IKEA Systems B.V.**, LN Delft
(NL)

(**) Term: **15 Years**

(21) Appl. No.: **29/787,313**

(22) Filed: **Jun. 5, 2021**

(30) **Foreign Application Priority Data**

Jan. 8, 2021 (EM) 008391791

(51) **LOC (14) Cl.** **06-03**

(52) **U.S. Cl.**
USPC **D6/656; D21/397**

(58) **Field of Classification Search**

USPC D6/406, 406.6, 654.11, 655.14, 656.16,
D6/691, 691.6, 707.19, 708.16, 709;
108/36, 50.01, 50.02, 130, 147.19, 185;
144/286.1; D21/397; 312/223.3

CPC A47B 21/00; A47B 21/0314; A47B 9/16
See application file for complete search history.

(56) **References Cited**

U.S. PATENT DOCUMENTS

D797,478 S * 9/2017 Merritt D6/691
D931,659 S * 9/2021 Hu D6/656.16

OTHER PUBLICATIONS

Utespelare Gaming Desk, Assembly Manual, shown on www.ikea.com/us/en/. Dec. 29, 2020. Article No. 805.076.27. (Year: 2020).*

* cited by examiner

Primary Examiner — Gino Colan

Assistant Examiner — Gregory G McLemore

(74) *Attorney, Agent, or Firm* — Tucker Ellis LLP

(57) **CLAIM**

The ornamental design for a gaming table, as shown and described.

DESCRIPTION

FIG. 1 is a left side, front and top perspective view of a gaming table showing my new design;

FIG. 2 is a right side, rear and bottom perspective view thereof;

FIG. 3 is a top view thereof;

FIG. 4 is a bottom view thereof;

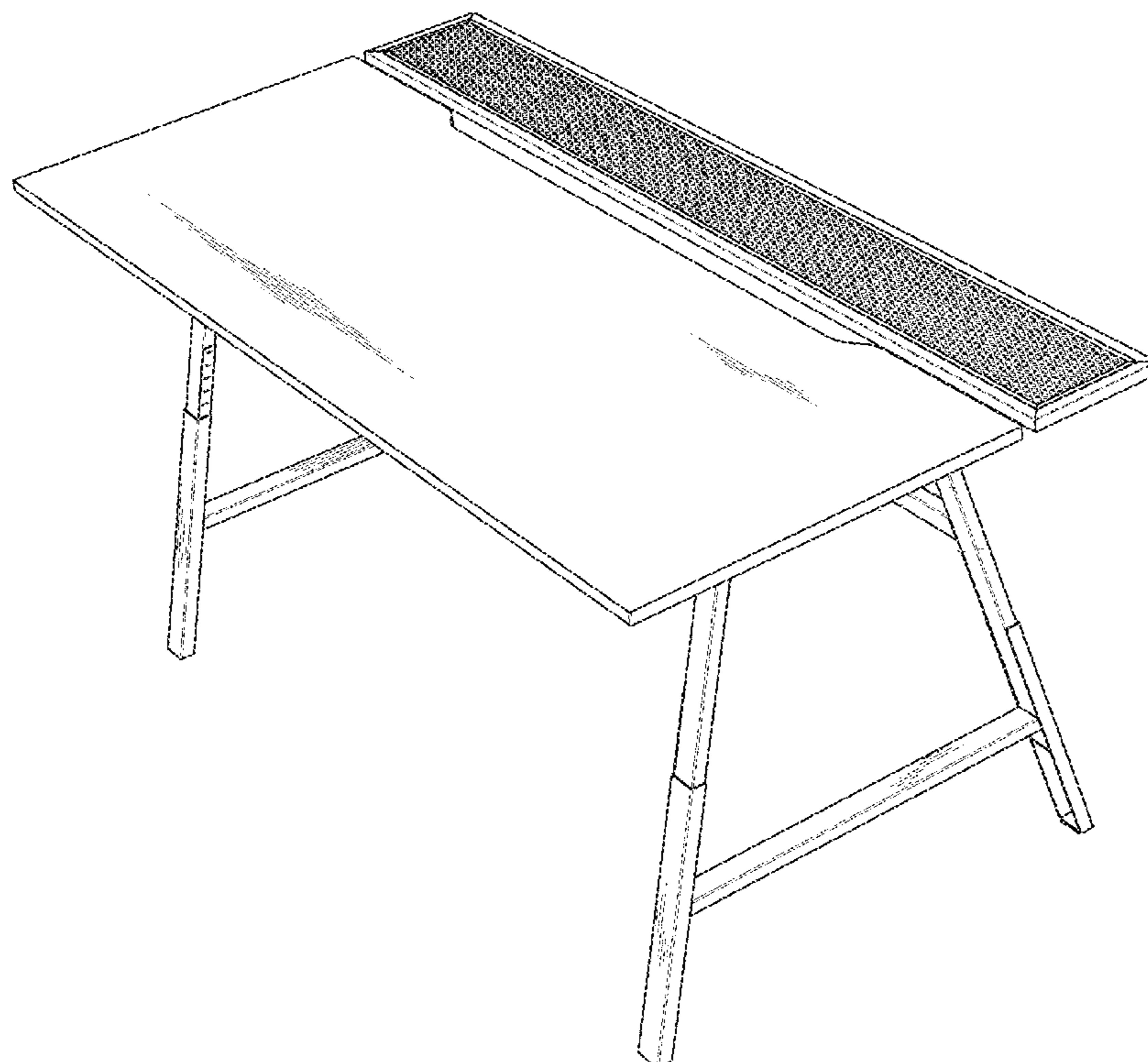
FIG. 5 is a front view thereof;

FIG. 6 is a rear view thereof;

FIG. 7 is a left side view thereof; and,

FIG. 8 is a right side view thereof.

1 Claim, 7 Drawing Sheets



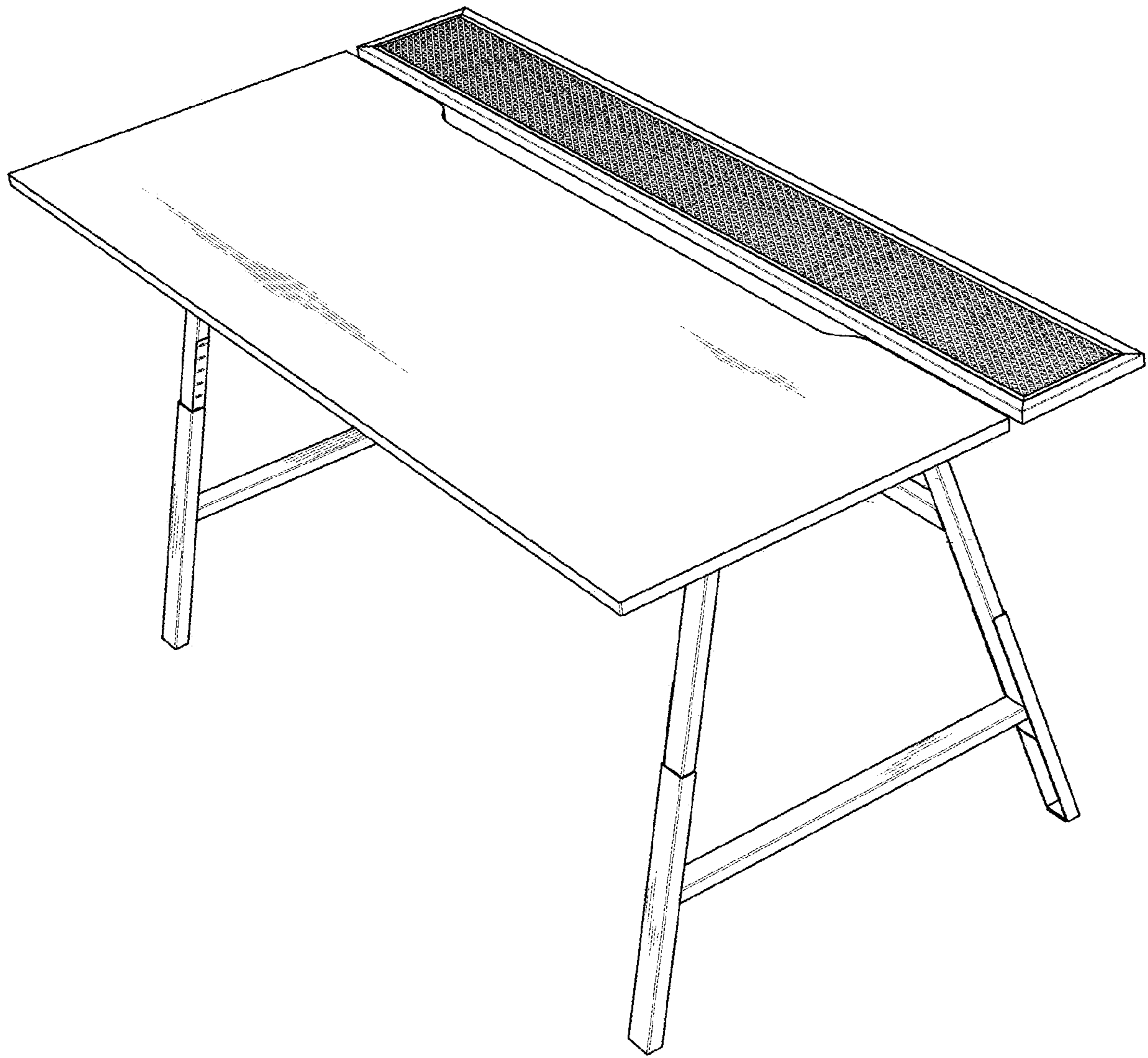


FIG. 1

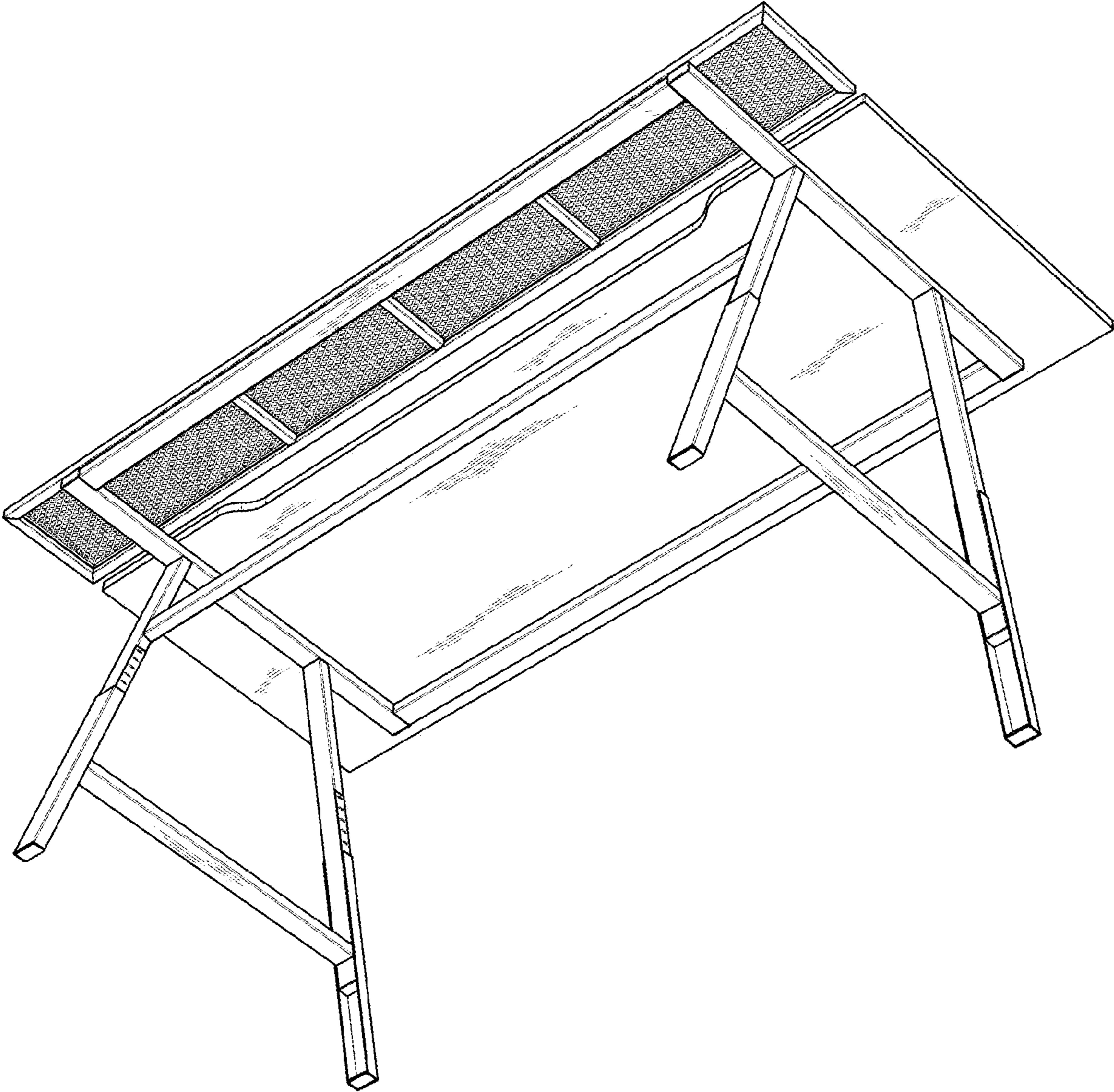


FIG. 2

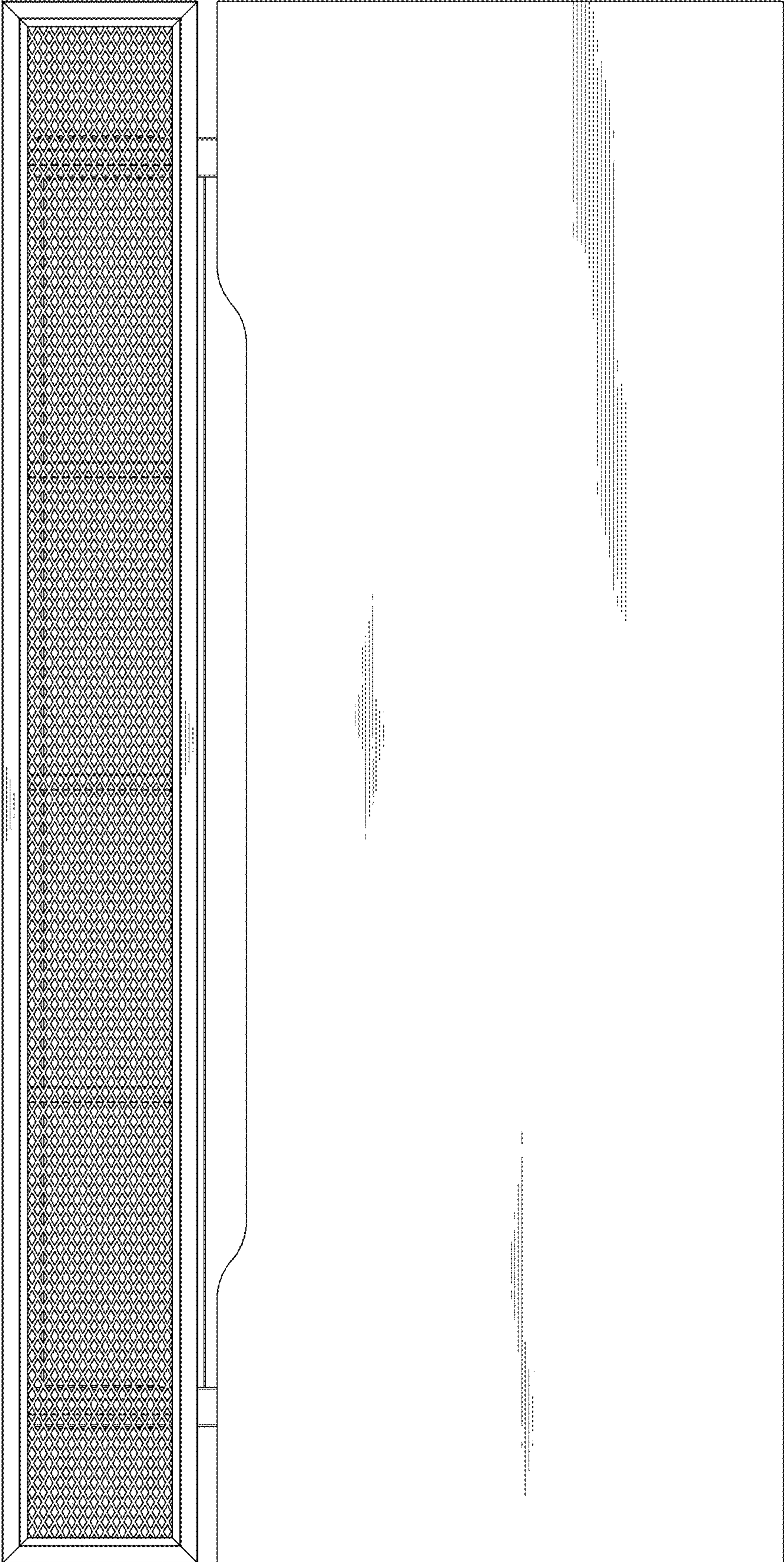


FIG. 3

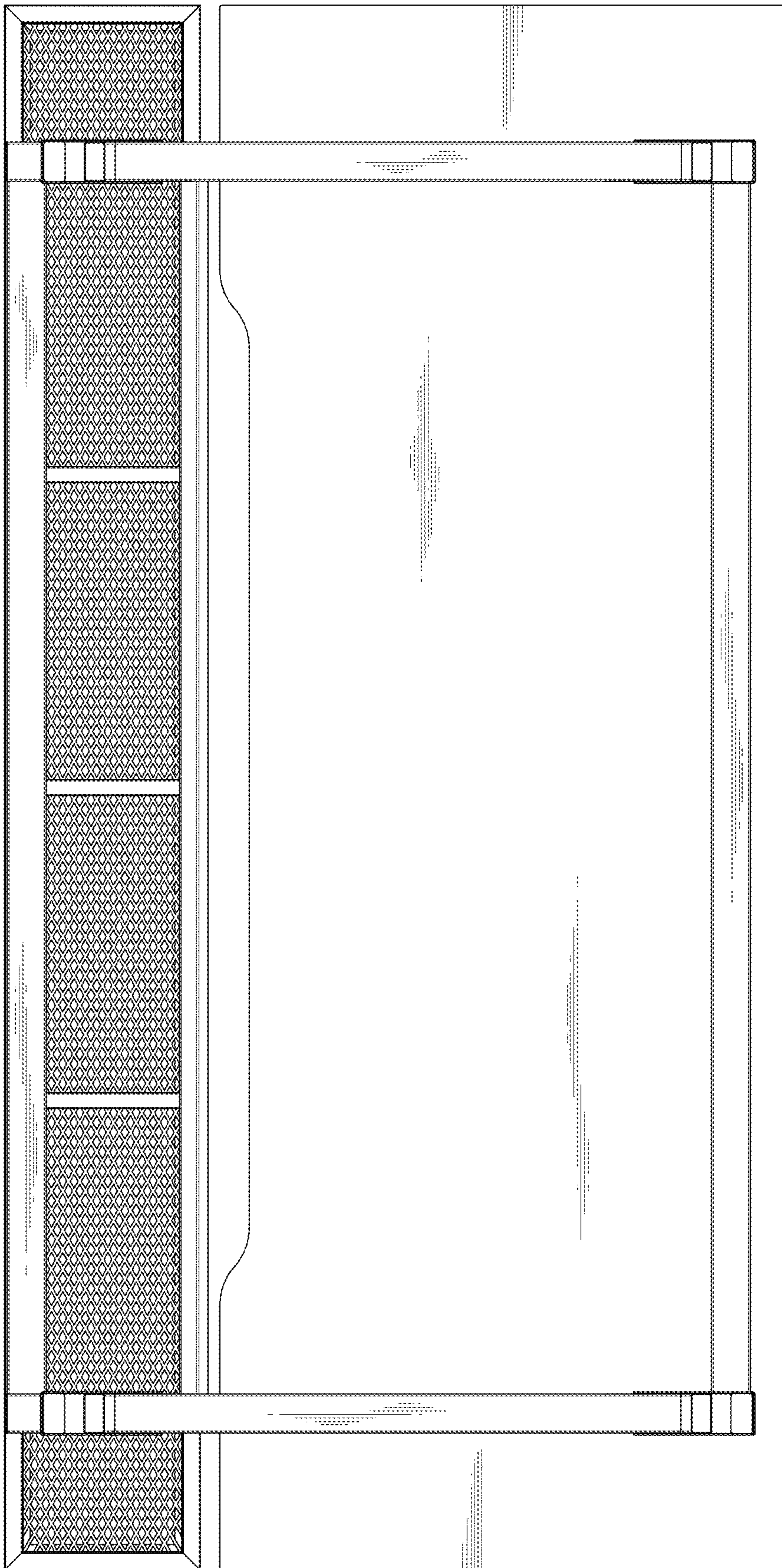


FIG. 4

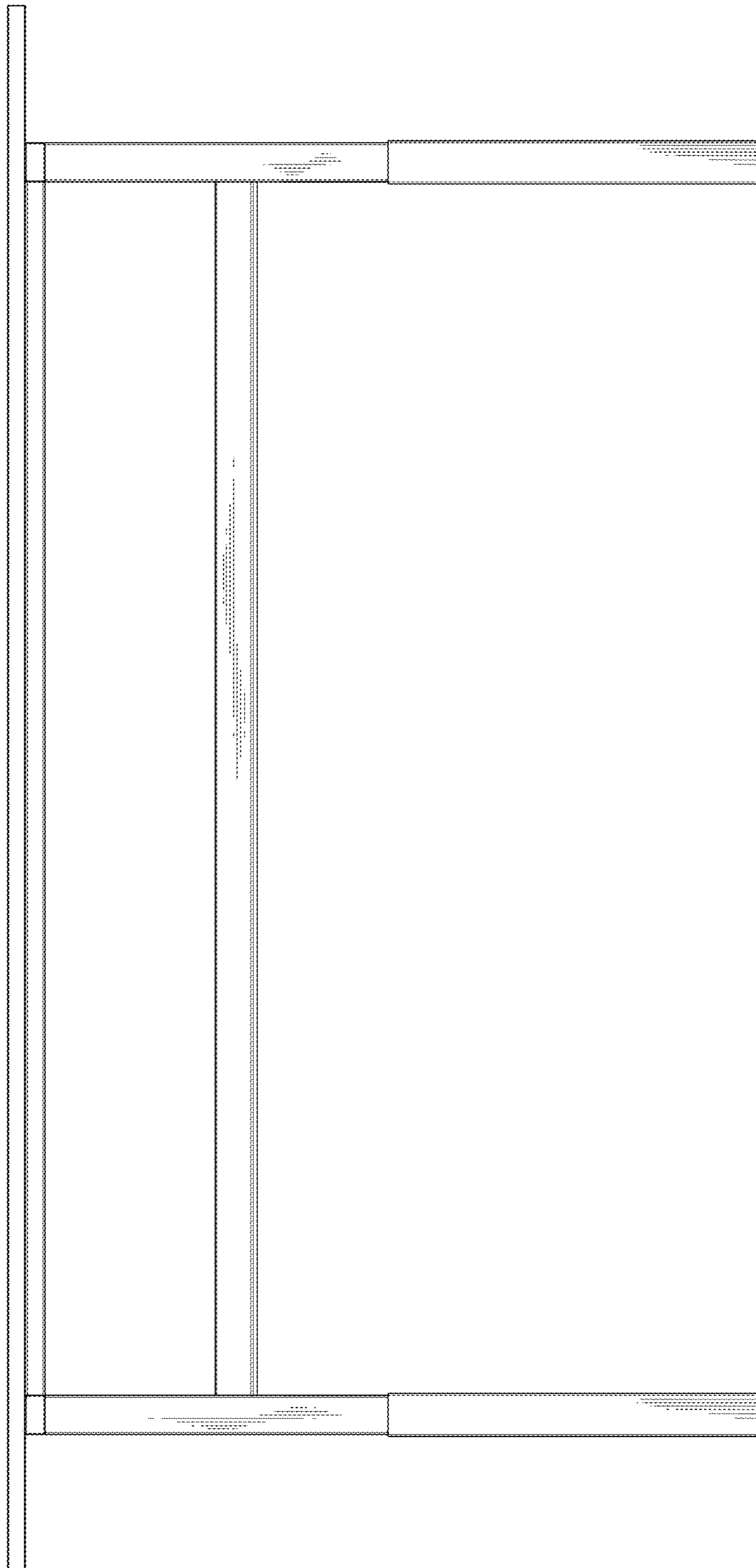


FIG. 5

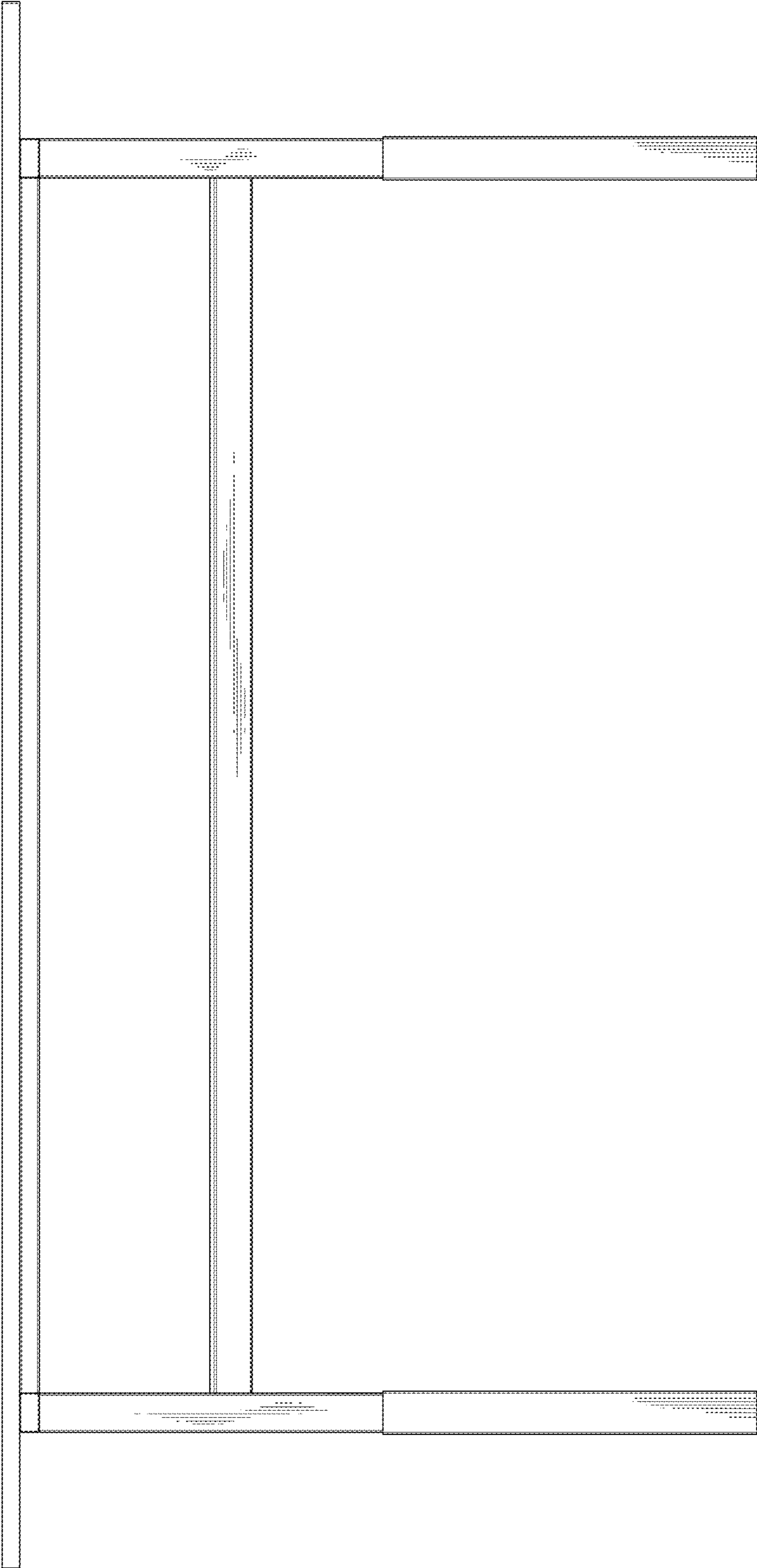


FIG. 6

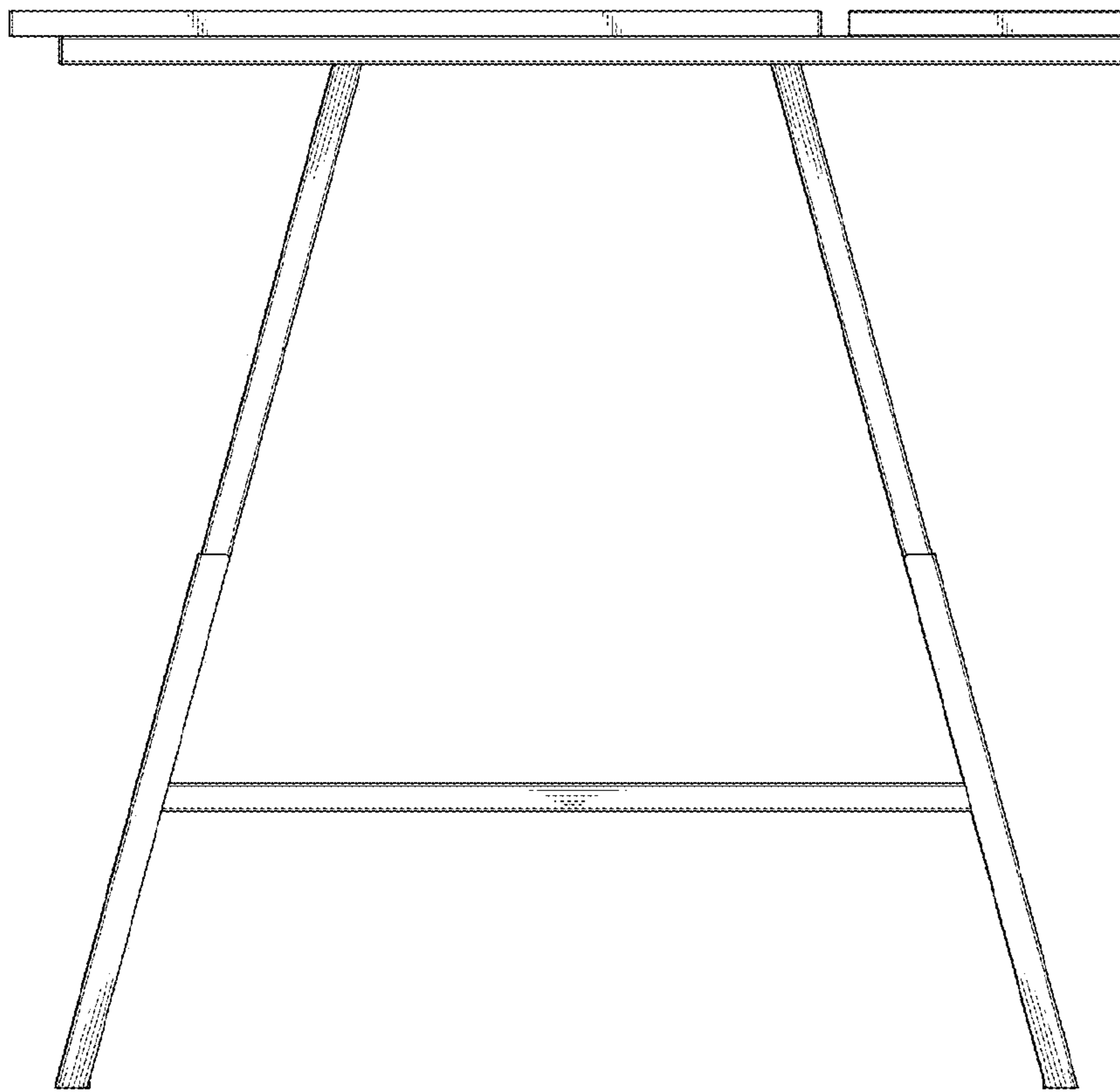


FIG. 7

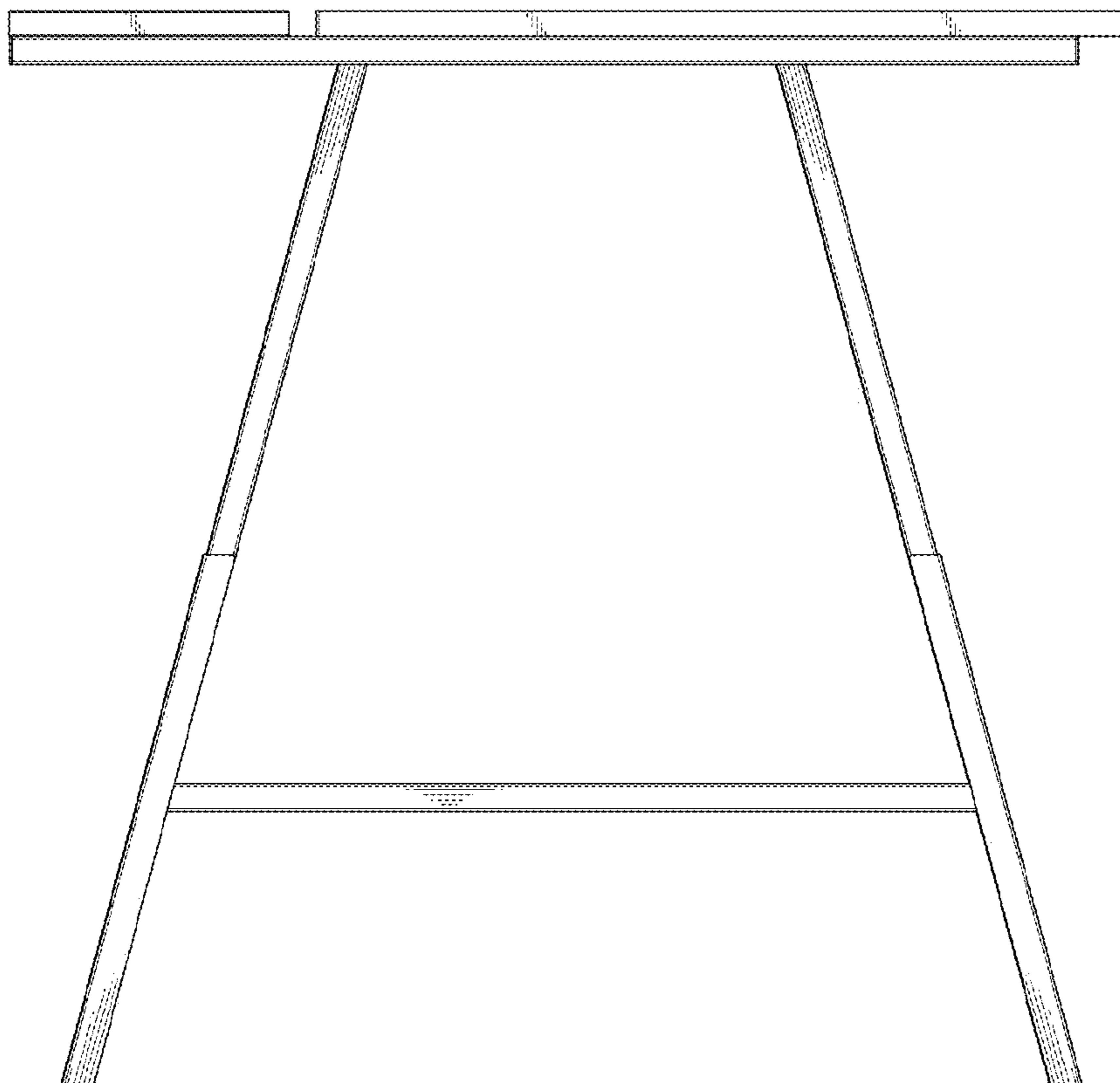


FIG. 8